

XBOARD RF05

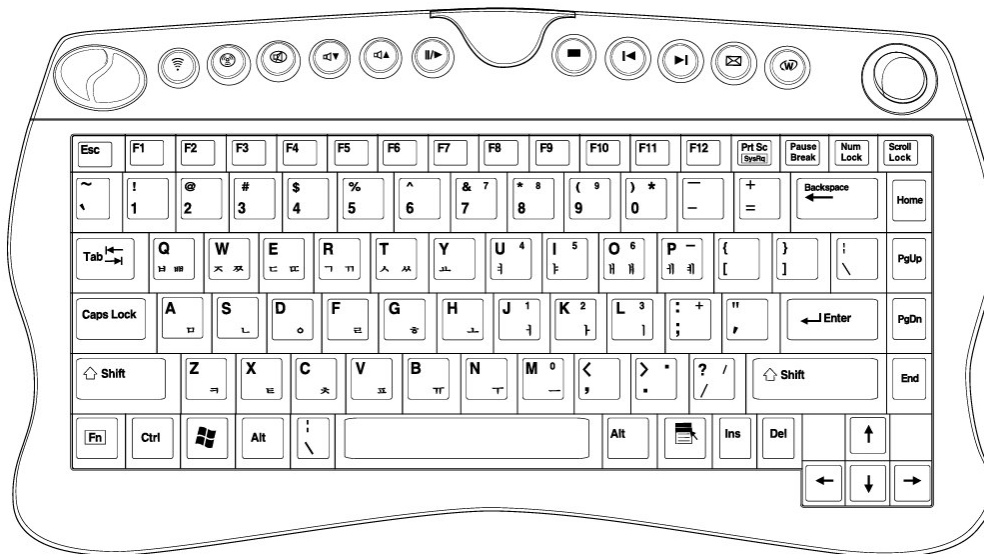
2.4GHz RF Trackball Keyboard

Quick Installation Guide

(Preliminary)

XBOARD RF (2.4GHz RF Trackball Keyboard)

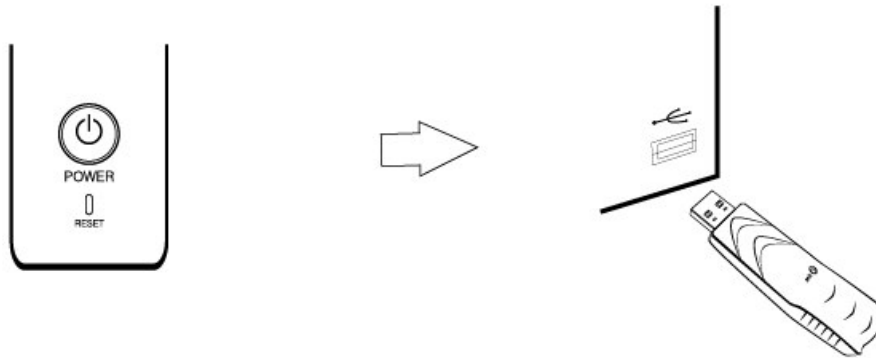
XBOARD RF, The 2.4GHz RF Wireless Trackball Keyboard and USB Receiver can create a flexible, convenient and wireless working environment. XBOARD RF with fancy design offers high frequency penetration, low interference, and omni-directional signal transmission. Employing reliable 2.4GHz RF wireless technology, XBOARD RF can be positioned up to 10 meters away from the PC in any direction (or angle), even with objects placed between the keyboard and USB receiver.



Installing XBOARD RF

1. Install USB receiver

1. Plug the USB receiver into a free USB port of PC.



[Caution]

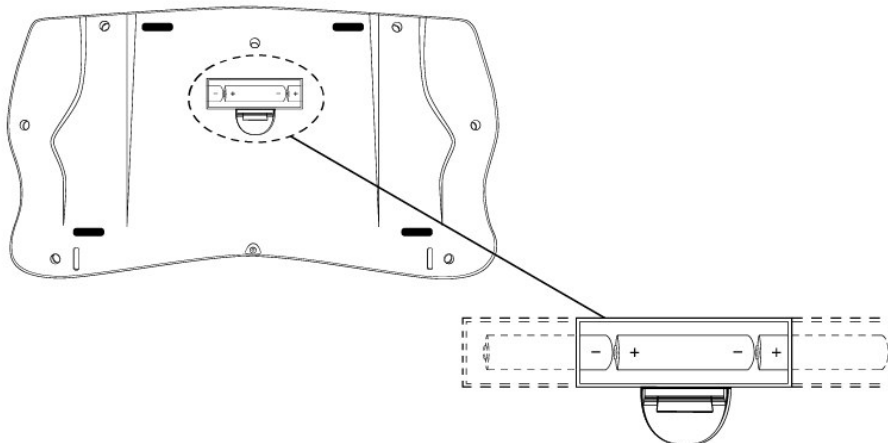
Windows 98 or later operating system is required for USB connectivity, and some computer systems do not fully support USB keyboards.

2. Connect the XBOARD RF

1. Install the Batteries.

Install 3 AA batteries in the keyboard.

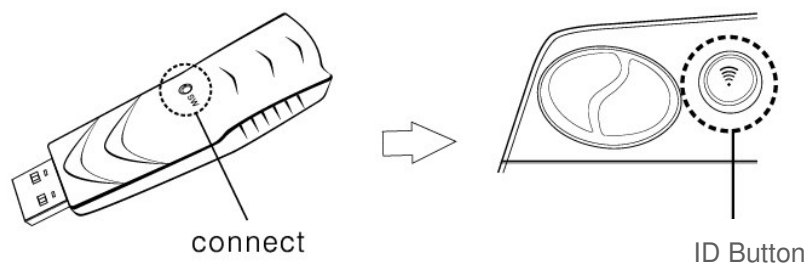
Make sure they are inserted in the correct direction.



2. Connect the XBOARD RF with USB receiver

The following steps initiate a connecting process of XBOARD RF to your PC. See Figure for the locations of the keys.

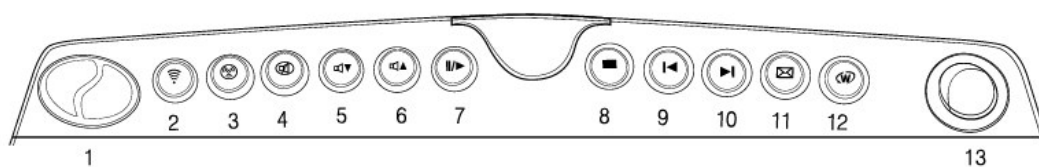
- (1) Push the Connect Button of USB receiver for 1 second
- (2) Press the ID Button of Keyboard.



3. Take your keyboard for a Spin

You can now begin using your XBOARD RF.

11 Multimedia Hot keys



- | | |
|-----------------------------|------------------------|
| 1. Mouse Button: Left/Right | 8. Stop |
| 2. ID Button | 9. Scan previous Track |
| 3. Windows Media Player | 10. Scan Next Track |
| 4. Mute | 11. Email |
| 5. Decrease Volume | 12. Internet |
| 6. Increase Volume | 13. Trackball Mouse |
| 7. Play/Pause | |

Caring for Your XBOARD RF

To keep the trackball on your XBOARD RF performing smoothly, you should clean it on a regular basis or as needed:

Weekly:

Wipe the trackball with an alcohol wipe or the cleaning cloth. Rotate the trackball 360 degree as you clean it.

Monthly:

1. Remove the trackball cover by turning the cover about 1/8-turn counterclockwise.
2. Holding your hand over the trackball, turn the keyboard upside down. The cover and trackball should drop out of the keyboard.
3. Wipe the trackball slot, rollers, bearings, other trackball slot components, and the trackball with an alcohol wipe or the cleaning cloth.
4. Replace the trackball in the slot.
5. Replace the trackball cover: turn it 1/8-turn clockwise to lock it in place.

CAUTION

This device complies with part 15 of the FCC Rules. Operation is subject to the following two conditions: (1) This device may not cause harmful interference, and (2) this device must accept any interference received, including interference that may cause undesired operation.

Any changes or modifications not expressly approved by the party responsible for compliance could void the authority to operate equipment.

This equipment has been tested and found to comply with the limits for a Class B digital device, pursuant to part 15 of the FCC Rules. These limits are designed to provide reasonable protection against harmful interference in a residential installation. This equipment generates, uses and can radiate radio frequency energy and, if not installed and used in accordance with the instructions, may cause harmful interference to radio

communications. However, there is no guarantee that interference will not occur in a particular installation. If this equipment does cause harmful interference to radio or television reception, which can be determined by turning the equipment off and on, the user is encouraged to try to correct the interference by one or more of the following measures:

- Reorient or relocate the receiving antenna.**
- Increase the separation between the equipment and receiver.**
- Connect the equipment into an outlet on a circuit different from that to which the receiver is connected.**
- Consult the dealer or an experienced radio/TV technician for help.**

Specifications

Electrical/RF KEYBOARD

Battery AA * 3

Power Consumption

Power : 5VDC, +/-5%

Working mode : 7.8mA,MAX

Standby mode : 6.7Ma

Sleep mode :32uA(after 10 minutes)

RF specification

Frequency : 2.420GHz

Modulation mode :G FSK

Channel : 1chs

ID number : 256

Link : "ID" Key

Effective distance : 7M

Mouse function

Track ball+2 button

Compatible with Windows
Windows 98/ME/2000/XP

Mechanical specification

Dimension
326(L)*178(W)*27.5(H)mm
Weight
520g (No Battery).

Receiver Specification

Electronics specification

Power consumption
5VDC, $\pm 5\%$, 60mA Maximum

RF specification

Frequency : 2.420GHz
Modulation mode : GFSK
Channel : 1ch
ID number : 256
Link : "SW" Key
Effective distance : 7M

Compatible with Windows
Windows 98/ME/2000/XP

Mechanical specification

Dimension
80(L) * 21.5(W) * 12(H)mm

Weight
12g max