

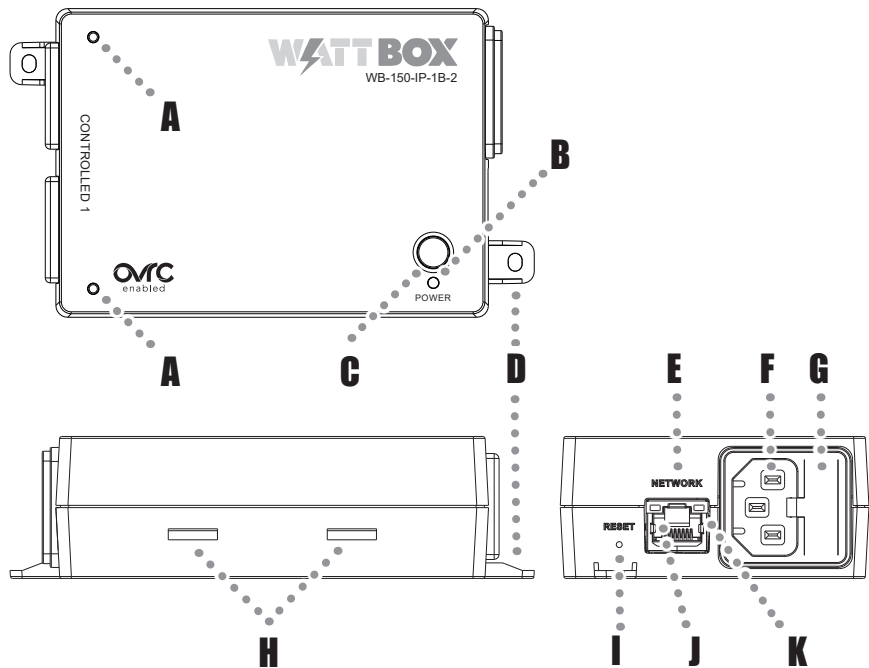
# WATT BOX™

**WB-150-IP-1B-2**



## QUICK START GUIDE

# ANATOMY



- A. Outlet LEDs: These illuminate when power to the matching outlet is on.
- B. Power Connection LED: This glows with an amber light when the unit is powered.
- C. AC Power Switch: Press to manually toggle the outlets on or off.
- D. Mounting Eyelets.
- E. Network Connection: Connect to the Local Area Network (LAN) for IP control and monitoring.
- F. Power Inlet: Detachable power cord outlet for 3 prong IEC power cord.
- G. External Fuse\*: May need replacement after an overload.
- H. Mounting Bracket Grooves
- I. Reset Button: Use a thin tool (paper clip, toothpick) to press this to restart the network card (no settings are changed). Press and hold 5 seconds to set the power strip to DHCP. Press and hold 10 seconds to reset the power strip to factory default.
- J. Internet LED.
- K. Link/Activity LED.

**Note:** The outlets are switchable (IP controlled), although both outlets are on the same bank.

\* **CAUTION:** For Outlet Fuse rating: T15AH, 125VAC/250VAC or F15AH, 125VAC/250VAC: Failure to replace the fuse with the same size, type, and ratings will damage the device and the connected and nearby equipment, and will cause electrical shock, fire, explosion, or injury.

## PACKAGE CONTENTS

This package contains:

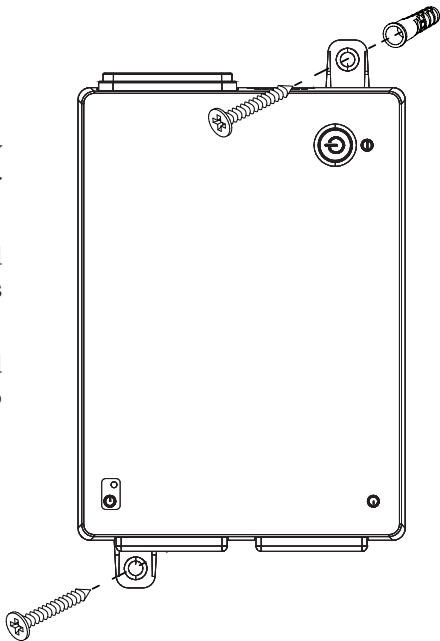
- The WattBox 150 Series Power Strip
- Removeable IEC power cord
- 2 wall anchors with M3×16mm screws

## MOUNTING INSTRUCTIONS

This unit can be mounted on any flat surface, either vertically or horizontally.

Use the screws and anchors provided to install the unit on a wall as pictured to the right.

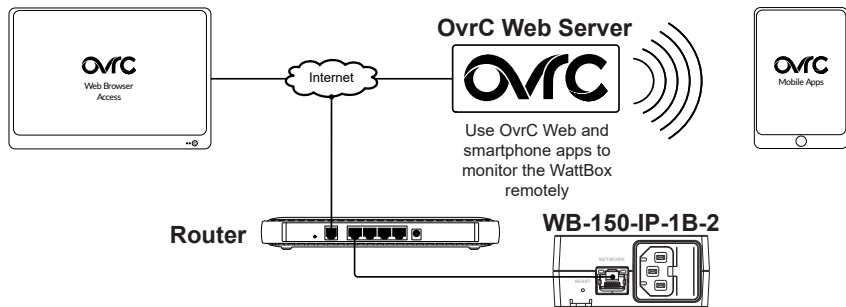
Use double-sided tape or hook and loop closures (not provided) to attach the unit to a flat surface.



# CONNECTIONS AND SETUP

The WB-150 has many powerful features that are accessed through OvrC, our award-winning remote management tool.

If you desire OvrC connectivity, plug a network cable from your switch into the network port of your WB-150. Plug in the power cord.



## Finishing Setup with OvrC

1. Ensure the WB-150 is connected to the internet.
2. Log in to your OvrC account.
3. Add the WB-150 by entering its MAC address and service tag (ST) number.

You can now complete setup through OvrC. Ensure your firmware is up to date, schedule automatic reboots, and set up boot delays.

## LED INDICATORS

Link/Activity LED	<b>Solid Green:</b> Link Established <b>Blinking Green:</b> Send/Receive Activity
Internet LED	<b>Solid Green:</b> All host pings successful <b>Blinking Green:</b> At least one host ping successful <b>Off:</b> All host pings timed out
Power	<b>Solid Orange:</b> A/C power connected <b>Off:</b> No A/C power
Outlet LEDs	<b>Solid Green:</b> Outlets ON <b>Off:</b> Outlets OFF <b>Note:</b> Both outlets are controlled together on one bank.

## TROUBLESHOOTING

Symptom	Possible Cause	Remedy
The attached component is not receiving power from the WattBox.	Component is plugged into an outlet that is off.	Log in to the WattBox interface to turn the outlet on.
	Some devices won't automatically power up when the WattBox is turned on.	Turn the component power on.

Symptom	Possible Cause	Remedy
WattBox is not receiving power (the Power Connection LED is not illuminated 1 minute after connecting AC power).	WattBox is not turned on.	If the power button does not glow amber, press it.
	No power is being supplied.	Ensure the AC power plug is plugged into a properly grounded 120V wall outlet.  Some outlets are controlled by a wall switch. Flip the switches in the room, especially those near the wall outlet. Also check the location's circuit breakers.
	Too many devices are connected, causing an overload.	Check the fuse on the AC Inlet. If it is blown, reduce the connected load and replace fuse.
Speakers emit a humming or buzzing noise.	WattBox is sharing AC power with equipment that is not properly grounded.	Connect WattBox to a dedicated outlet. Unplug components one at a time to see if the noise stops.
	The speakers are sharing a filter with noisy gear.	Move the power cord for the noisy components to a different outlet bank (preferably one with a filter).

# **IMPORTANT SAFETY INSTRUCTIONS**

Read and observe the following safety points at all times.

## **NOTICE**

For indoor use only. Internal components are not sealed from the environment. The device can only be used in a fixed location. When you install the device, ensure that the protective earthing connection of the socket-outlet is verified by a skilled person. Suitable for installation in Information Technology Rooms in accordance with Article 645 of the National Electrical Code and NFPA 75.

Only use brackets/attachments/accessories specified by the manufacturer.

Do not place the device in an unstable position where it might fall and cause injuries. This equipment is not suitable for use in locations where children are likely to be present.

Do not cover this device with a cloth. Do not install it on a carpet or rug.

## **CAUTION – Potential Injury**

Do not use this product with extension cords, multioutlet power strips, multioutlet extenders, or UPS devices (other than a WattBox UPS). The power capacity of these accessories can be overloaded by this product and may result in a risk of fire, or property damage.

## **WARNING – Power Sources, Grounding, Polarization**

This plug is designed to be inserted into a NEMA 5-15 (three-prong grounded) outlet only. Do not force the plug into an outlet that is not designed to accept it. Never dismantle the plug or to alter the power cord, and do not attempt to defeat the grounding feature by using a 3-to-2 prong adapter. If you have questions about grounding, consult your local power company or a qualified electrician.

This WattBox requires a properly grounded outlet for safety. If you're not sure if your home's electrical wiring is properly grounded, have it checked by a qualified electrician.

If a rooftop devices such as a satellite dish connects to the WattBox, ensure that the device's wires are also properly grounded.

## **WARNING – Liquid: Avoiding Electrical Shocks**

Do not operate the WattBox if liquid of any kind is spilled onto or inside the unit. Do not operate it near rain or water, even water that is contained (e.g., bathtub or sink).



## **WARNING – Power Cord Safety**

Do not place the power cord near areas with heavy foot traffic (e.g., hallways). Do not create a trip hazard with the power cord.

If the power cord's protective jacket rips or frays, exposing the internal wiring or shielding, disconnect it from the power source and replace the power cord immediately. See the warranty section of the owner's manual for details.

## **WARNING – No User Serviceable Parts Inside**

If the WattBox is not operating properly, do not remove any part of the unit (cover, etc.) for repair. Unplug the unit and consult the warranty section of the owner's manual.

## **CAUTION – Exposure to Heat**

Do not expose the WattBox to direct sunlight or place it near wall heaters, space heaters, or in an enclosed space prone to temperature increase.

Do not use the device in a confined, poorly-ventilated location; this can overheat the unit, possibly even causing a fire. If used in a small space other than an EIA-standard rack, ensure that there is adequate space around the device.

## **CAUTION – Proper Cleaning**

In general, the only cleaning necessary for is a light dusting. Unplug WattBox from the wall outlet before cleaning it. Do not use liquid or aerosol cleaners.

## **FEDERAL COMMUNICATION COMMISSION INTERFERENCE STATEMENT**

This equipment has been tested and found to comply with the limits for a Class B digital device, pursuant to Part 15 of the FCC Rules. These limits are designed to provide reasonable protection against harmful interference in a residential installation. This equipment generates, uses, and can radiate radio frequency energy and, if not installed and used in accordance with the instructions, may cause harmful interference to radio communications. However, there is no guarantee that interference will not occur in a particular installation. If this equipment does cause harmful interference to radio or television reception, which can be determined by turning the equipment off and on, the user is encouraged to try to correct the interference by one or more of the following:

- Reorient or relocate the receiving antenna.
- Increase the separation between the equipment and receiver.
- Connect the equipment into an outlet on a circuit different from that to which the re-ciever is connected.
- Consult the dealer or an experienced radio/TV technician for help.

Any changes or modifications not expressly approved by the party responsible for compliance could void the authority to operate equipment.

### **FCC Radiation Exposure Statement:**

This equipment complies with FCC radiation exposure limits set forth for an uncontrolled environment. This equipment should be installed and operated with minimum distance 20cm between the radiator & your body.

## **INDUSTRY CANADA STATEMENT**

This device complies with ISED's license-exempt RSS standard(s). Operation is subject to the following two conditions: (1) this device may not cause interference, and (2) this device must accept any interference, including interference that may cause undesired operation of the device.

Le présent appareil est conforme aux CNR d'ISED applicables aux appareils radio exempts de licence. L'exploitation est autorisée aux deux conditions suivantes : (1) l'appareil ne doit pas produire de brouillage, et (2) l'utilisateur de l'appareil doit accepter tout brouillage radioélectrique subi, même si le brouillage est susceptible d'en compromettre le fonctionnement.

### **Radiation Exposure Statement:**

This equipment complies with IC radiation exposure limits set forth for an uncontrolled environment. This equipment should be installed and operated with minimum distance of 20 cm

between the radiator and people and animals.

## **Déclaration d'exposition aux radiations:**

Cet équipement est conforme aux limites d'exposition aux rayonnements IC établies pour un environnement non contrôlé. Cet équipement doit être installé et utilisé avec un minimum de 20 cm de distance entre la source de rayonnement et des personnes ou des animaux.

# **WARRANTY**

## **5-Year Limited Warranty**

This SnapAV® product has a 5-Year Limited Product Warranty. This warranty includes parts and labor repairs on all components found to be defective in material or workmanship under normal conditions of use. This warranty shall not apply to products which have been abused, modified, or disassembled. Products to be repaired or replaced under this warranty must be returned to SnapAV or a designated service center with prior notification and an assigned return authorization number (RA). Contact technical support for an RA number.

Once you obtain an RA number, please mark the number on the bottom of the unit and pack it in a shipping carton/box with enough packing material to protect it during transit. The RA number must also be clearly marked on the outside of the carton. Ship the unit to SnapAV. Please note that you are responsible for any and all charges related to shipping the unit to SnapAV.

## **WARRANTY LIMITATION:**

SnapAV products not purchased directly from SnapAV or authorized SnapAV dealers or authorized distributors are excluded from above warranties.

# **LOGGING IN TO THE WEB INTERFACE**

You need to enter the username and password to access the web interface. The default entries are below; be sure to change these to maintain proper security (and log them below).

Username default: *wattbox*    New Username: \_\_\_\_\_

Password default: *wattbox*    New Password: \_\_\_\_\_



**Retain this label  
for your records**



Version 190130-1402