

SWA51, 5GHz Module Datasheet

Extended Range Mono/Stereo Wireless Audio System, based on the Avnera AV5100 IC



General Description

The SWA51 module is a member of a family of products representing a new level of system integration offering customers fast time to market with a point-to-point mono, or stereo, wireless connection. These modules are optimized for low-cost, high-quality and ease-of-use.

The module incorporates Avnera's proprietary 5GHz wireless audio protocol, designed from the ground up specifically for audio. It features low fixed latency, uncompressed CD quality mono or stereo audio, superior interference immunity, and inherent coexistence with WiFi.

The SWA51 module integrates all features necessary to complete a wireless stereo or mono link, including AV5100 Wireless Audio Chip, printed diversity antennas, PA, shield can, flash memory, interface connector and all passive components. Just provide power and an I2S interface and you are ready to create a wireless audio link.

The module measures 26 x 47 x 3.3 mm and is provided with a 24 pin FPC connector.

The module is certified to FCC and CE standards.

Applications

- ✓ Wireless Subwoofers
- ✓ Stereo Wireless Rear Speakers
- ✓ Soundbar / Audio Video Receiver / BluRay
- ✓ Mono/Stereo Audio Channel Transmission

Ordering Options

SWA51 TX: Transmit module with digital audio input

SWA51 RX: Receive module with digital audio output

Features

- ✓ Audio Interfaces
 - ✓ I2S Digital Input / Output interface with >93dB end-to-end digital audio path
- ✓ Wireless Range (Typ)
 - ✓ > 50m Non Line Of Sight (NLOS) range
 - ✓ > 160m Line Of Sight (LOS) range
- ✓ Frequency range: **5.15-5.25&5.725-5.825 GHz**, continuous dynamic channel selection
- ✓ Forward error correction coding, error detection, and audio-specific error concealment
- ✓ Dual printed PCB diversity antennas for multipath and fading mitigation
- ✓ Auto-search/synch and dynamic channel selection
- ✓ Low, fixed latency
- ✓ 24 pin FPC or pin header connector
- ✓ Sample rate converter: Support for 32 - 96kHz input sample rates
- ✓ Customizable firmware for simple, low-cost, sub-woofer amplifier implementations
- ✓ RF parts can-shielded, module meets FCC part 15 rules for emissions and susceptibility.
- ✓ General purpose over-the-air (OTA) serial interface:
 - ✓ 11 kbps, bi-directional, full duplex
 - ✓ Support for amplifier control data, meta-data, and remote control commands



Different labels and P/Ns are used to distinguish between TX and RX.

1 Functional Description

The SWA51 module is available in 2 variations; digital input transmitter module or digital output receiver module.

There are three available I2S digital audio data inputs/outputs, each of these can be configured to operate as either a master or a slave - depending on the application, the I2S ports can operate simultaneously as either inputs or outputs. When configured as slaves, the I2S inputs/outputs can be independently clocked by up to two external masters. In addition, MCLK can be output from the module to provide a reference clock source to an external ADC or DAC. MCLK can also be input to the module to provide a reference clock from an external source.

The hardware for the audio input (transmit) and audio output (receive) versions of the module is identical and only the firmware loaded onto the module determines its function.

The highly integrated nature of the AV5100 transceiver IC results in few external components being required for the SWA51 module design. 2 printed PCB antennas are used to achieve increased range, and to achieve antenna spatial diversity. The extended-range RF path consists of the antennas, associated tuning components, shield can, the RF switch, and two baluns, one connected to each of the RF input/output ports on the AV5100 IC.

A 16MHz crystal oscillator generates the AV5100 fundamental system clock used as the basis for all RF and digital audio clocks.

A 2Mb flash memory chip is used to store the module's application firmware. The AV5100 is able to boot from internal ROM upon first power up, which enables programming the flash chip with the application firmware. In addition, Over-the-air Firmware upgrade capability can be enabled through the application firmware. The module can be controlled from an external host device via the I2C Slave or the SPI Slave data interfaces. The I2C master port allows the module to control other system audio devices such as a sub-woofer amplifier system without having to add another MCU to the product design. Up to 9 additional GPIOs are available on the SWA51 module (not including I2C and I2S signals) for implementing different UI features on the target application. The resources mentioned above can be leveraged to implement low cost sub-woofer designs as outlined below.

1.1 SWA51 Module Connections and Interfaces

Signal Type	Description
+3.3V Supply	The SWA51 hardware is configured to accept a nominal +3.3V supply.
Reset	Active low reset input. This pin is driven from an open collector/drain device such that it can be pulled to ground for the active reset state but, when released, must go to a high impedance state. This pin should not be actively driven high, as the AV5100 internal reset circuit will not operate correctly.
I2S In Port	The I2S input port can be configured as a master or slave. Consequently BCLK and LRCK can be either inputs or outputs. In addition, MCLK can be sourced by the module on pin 16. Since the AV5100 IC contains a sample rate converter, MCLK is not required to be supplied to the module when it is an I2S slave. CMOS 3.3V logic levels are used for all I2S signals.
I2S Out Port	The I2S output port can be configured as a master or slave. Consequently BCLK and LRCK can be either inputs or outputs. In addition, MCLK can be sourced by the module on pin 16. Since the AV5100 IC contains a sample rate converter, MCLK is not required to be supplied to the module when it is an I2S slave. CMOS 3.3V logic levels are used for all I2S signals.
I2C Slave Port	The I2C slave port can be used for external host communication and for module testing. It is assumed that external pull up resistors are connected at the I2C master communicating with the module.
I2C Master Port	The I2C master port is used to communicate with external audio devices such as a sub-woofer amplifier. It is assumed that external pull up resistors are included on the application board.
GPIOs	3.3V CMOS logic level GPIOs available to connect to other devices, or to use as UI supporting GPIOs for LED and button support. All supported GPIOs can be configured as outputs or inputs with configurable pull-ups/pull-downs.

2 SWA51 Connector Information

Table 1: SWA51 Connector Information

No	Pin Name	Pin Type	AV5100 Pin	SWA51-TX Pin Description	SWA51-RX Pin Description
1	GPIO2/S_SSB	Digital I/O	12	GPIO or SPI Slave Chip Select	GPIO or SPI Slave Chip Select
2	GPIO3/S_SCLK	Digital I/O	11	GPIO or SPI Slave Serial Clock	GPIO or SPI Slave Serial Clock
3	GPIO4/S_SDA/S_MOSI	Digital I/O	10	GPIO, I2C Slave Serial Data or SPI Slave Data In	GPIO, I2C Slave Serial Data or SPI Slave Data In
4	GPIO5/S_SCL/S_MISO	Digital I/O	9	GPIO, I2C Slave Serial Clock or SPI Slave Data Out	GPIO, I2C Slave Serial Clock or SPI Slave Data Out
5	GPIO16/M_SDA	Digital I/O	4	GPIO, I2C Master Serial Data	GPIO, I2C Master Serial Data
6	GPIO17/M_SCL	Digital I/O	3	GPIO, I2C Master Serial Clock	GPIO, I2C Master Serial Clock
7	GPIO20/LINK_LED	Digital I/O	56	GPIO, or LINK_LED Output	GPIO, or LINK_LED Output
8	GPIO21/PAIR	Digital I/O	55	GPIO, or input from PAIR Button	GPIO, or input from PAIR Button
9	GPIO18/BCLK1	Digital I/O	2	GPIO or I2S Port 1 Bit Clock	GPIO or I2S Port 1 Bit Clock
10	GPIO19/WCLK1	Digital I/O	1	GPIO or I2S Port 1 Word Clock	GPIO or I2S Port 1 Word Clock
11	GPIO10/MCLK	Digital I/O	53	GPIO or Master Clock Out	GPIO or Master Clock Out
12	GND	GND	Paddle (57)	GND	GND
13	GPIO11/BCLK0	Digital I/O	52	GPIO or I2S Port 0 Bit Clock	GPIO or I2S Port 0 Bit Clock
14	GPIO12/WCLK0	Digital I/O	51	GPIO or I2S Port 0 Word Clock	GPIO or I2S Port 0 Word Clock
15	GPIO13/ADAT0	Digital I/O	50	GPIO or I2S Port 0 Audio Data	GPIO or I2S Port 0 Audio Data
16	GPIO14/ADAT1	Digital I/O	49	GPIO or I2S Port 1 Audio Data	GPIO or I2S Port 1 Audio Data
17	GPIO15/ADAT2/CEN	Digital I/O or Digital Input	48 or 38	GPIO, I2S Port 2 Audio Data or chip enable ⁽¹⁾	GPIO, I2S Port 2 Audio Data or chip enable ⁽¹⁾

18	GPIO22/D+	Digital I/O	47 or 43	GPIO or USB Data Plus ⁽²⁾	GPIO or USB Data Plus ⁽²⁾
19	GPIO23/D-	Digital I/O	46 or 42	GPIO or USB Data Minus ⁽²⁾	GPIO or USB Data Minus ⁽²⁾
20	GPIO24	Digital I/O	41	GPIO ⁽³⁾	GPIO ⁽³⁾
21	RESETN_EXT	Digital Input	37	RESET signal active low ⁽⁴⁾	RESET signal active low ⁽⁴⁾
22	GND	GND	Paddle (57)	GND	GND
23	VDD	Supply Input	31, 45, 54	+3.3V input supply voltage	+3.3V input supply voltage
24	VDD	Supply Input	31, 45, 54	+3.3V input supply voltage	+3.3V input supply voltage

Notes:

- (1) Pin 17 is hardware configured as GPIO15/ADAT2 by default; utilizing this pin as a CEN requires a different stuffing option.
- (2) Utilizing pins 18 and 19 as USB D+ and D- requires the firmware to Tri-state GPIOs 22 and 23.
- (3) Pin 20 (GPIO24) can be utilized to implement a "Data Waiting" interrupt signal for I2C and SPI Slave data communication.
- (4) Pin 21 (RESET_EXT) can be pulled to GND with a switch or an open drain/collector type device to provide a hard reset signal to the AV5100. This pin is pulled up to VDDIO (3.3V) internally in the AV5100 and should not be actively driven high.

3 Electrical, Audio and Timing Specifications

3.1 Absolute Maximum Ratings

Absolute Maximum Ratings (AMR) are stress ratings only. AMR corresponds to the maximum value that can be applied without leading to instantaneous or very short-term unrecoverable hard failure (destructive breakdown). Stresses beyond those listed under AMR may cause permanent damage to the device.

Functional operation of the device at these or any other conditions beyond those indicated under "Recommended Operating Range" is not implied. Exposure to absolute-maximum-rated conditions for extended periods may adversely affect device reliability.

Device functional operating limits and guaranteed performance specifications are given under Electrical Characteristics at the test conditions specified.

CONDITION	MIN	MAX
+3.3V Supply Voltage Input	-0.3V	4.0V
Input Voltage Range – Digital Inputs	-0.3V	3.6V
Input Voltage Range – Analog Inputs	-0.3V	3.6V
Operating Temperature	-40°C	+60°C
Storage Temperature	-40°C	+70°C
Static Discharge Voltage ¹	2kV	----

Notes:

1) HBM = ESD Human Body Model; C = 100pF, R = 1kΩ

3.2 Recommended Operating Range

PARAMETER	MIN	TYP	MAX	UNIT
VDD, +3.3V Supply pin voltage	3.0	3.3	3.6	V
Ambient Temperature (T _A)	0		55	°C
RESET pin hold time	10			msec
Power Supply Rise Time (to 3.0V)	0		10	msec

3.3 Electrical Characteristics – DC Characteristics

Operating Conditions: VDD = 3.3V, T_A = 0°C to +55 °C, RF Freq = 5150-5250;5725-5825MHz, measured relative to the RF balun single-ended I/O. Typical specifications at T_A = 25°C, VDD = 3.3V

PARAMETER	CONDITIONS	MIN	TYP	MAX	UNIT
Supply Current (IVDDA)	Shutdown (chip disabled)		TBD	1	uA
	Standby (also USB suspend)		TBD	2.5	mA
	RX mode (continuous RX)		89		mA
	Link mode (for SWA51 TX)		110 ^{*a}		mA

	Link mode (for SWA51 RX)		70 ^{*a}		mA
	TX mode (continuous TX); Pout=+6dBm		150 ^{*a}		mA
CMOS I/O Logic Levels – 3.3V I/O					
Input Voltage Logic Low, VIL				0.6	V
Input Voltage Logic High, VIH		VDDIO -0.6			V
Output Voltage Logic Low, VOL				0.3	V
Output Voltage Logic High, VOH		VDDIO -0.3			V

^{*a} : This is DCRMS current consumption value. If customer want to implement OCP(over current protection) for SWA51, please consult with WNC for proper setting and design.

3.4 Electrical Characteristics – RF PLL Characteristics

Operating Conditions: VDD =3.3V, T_A = 0°C to +55 °C, RF Freq = 5150-5250;5725-5825MHz, measured relative to the RF balun single-ended I/O. Typical specifications at T_A = 25°C, VDD = 3.3V

PARAMETER	CONDITIONS	MIN	TYP	MAX	UNIT
RF Channel Frequency Range	Band1(lower band)	5150		5250	MHz
	Band4(Upper band)	5725		5825	MHz
RF Channel frequency resolution (raster)			1		MHz
RF I/O Impedance	ANT0,ANT1		50		ohm
Crystal Oscillator Frequency	External crystal		16		MHz
Crystal Accuracy Requirement	External XTAL, -20°C to +70 °C			+/-20	ppm

3.5 Electrical Characteristics – RF RX Characteristics

Operating Conditions: VDD = 3.3V, T_A = 0°C to +55 °C, RF Freq = 5150-5250;5725-5825MHz, measured relative to the RF balun single-ended I/O. Typical specifications at T_A = 25°C, VDD = 3.3V

PARAMETER	CONDITIONS	MIN	TYP	MAX	UNIT
RF Channel Frequency Range	Band1(lower band)	5150		5250	MHz
	Band4(Upper band)	5725		5825	MHz
RF I/O Impedance	ANT0,ANT1		50		ohm
RX Sensitivity	SSC (single sub-carrier)		-89 ^{*b}		dBm
Max input signal	LNA = low gain mode, min IF gain		-5		dBm
Out-of-band blocker level	<5150 MHz, >5850 MHz		-45		dBm
	2400-2483.5 MHz		-20		dBm
Spurious RF outputs	5150-5850 MHz		-55		dBm
	<5150 MHz		-63		dBm
	>5850 MHz		-63		dBm

^{*b} : The sensitivity been defined with BER <= 0.002.

3.6 Electrical Characteristics – RF TX Characteristics

Operating Conditions: VDD = 3.3V, T_A = 0°C to +55 °C, RF Freq = 5150-5250;5725-5825MHz, measured relative to the RF balun single-ended I/O. Typical specifications at T_A = 25°C, VDD = 3.3V

PARAMETER	CONDITIONS	MIN	TYP	MAX	UNIT
RF Channel Frequency Range	Band1(lower band)	5150		5250	MHz
	Band4(Upper band)	5725		5825	MHz
RF I/O Impedance	ANT0,ANT1		50		ohm
TX Output power(5150-5250MHz)	SSB&DSB (single side band & double side band)		6		dBm
TX Output power(5725-5825MHz)	SSB&DSB (single side band & double side band)		6		dBm
LO leakage			-20		dBc

(1) Measured at the worst performing frequency

3.7 Electrical Characteristics – Audio C/C/S

PARAMETER	CONDITIONS	MIN	TYP	MAX	UNIT
Frequency Response (-3dB)	16 bit audio, 11KSps over-the-air sample rate	20		5K	Hz
	16 bit audio, 14.8KSps over-the-air sample rate	20		6.5K	Hz
	16 bit audio, 22KSps over-the-air sample rate	20		10K	Hz
	16 bit audio, 29.6KSps over-the-air sample rate	20		13K	Hz
	16 bit audio, 44KSps over-the-air sample rate	20		20K	Hz
Gain Flatness ¹	0dB Input / Output Gain		±0.2		dB
SNR	I2S Input / Output	93 ⁽¹⁾			dB
THD+N			94		dB

Notes

1- 16-bit audio, all OTA sample rates. OTA 12-bit path for voice is possible, but will limit the SNR to 72dB.

3.8 AV5100 Rate Converter Characteristics

SRC Block	Input Rates	Output Rates	SNR (dB)	SRC BW (-3dB)
SRC 0 (Audio)	<u>I2S</u> 32-96K <u>USB</u> 8k – 48K, <u>ECU (TX)</u> "11K" "14.8k" "22k" "29.6k" "44k"	<u>I2S</u> Master: 48k Slave: 44.1K-96K <u>ECU (TX)</u> "11K" "14.8k" "22k" "29.6k" "44k"	All rates support 16bit, >93dB	Actual bandwidth is dependent on the lower of the input or output rates. <u>Output BW vs OTA</u> "11k" = 5kHz "14.8k" = 6.5kHz "22k" = 10kHz "29.6k" = 13kHz "44k" = 20kHz
SRC 1 (LFE)	<u>I2S</u> 32-96K <u>USB</u> 8k – 48K, <u>ECU (TX)</u> "11K" "14.8k" "22k" "29.6k" "44k"	<u>I2S</u> Master: 48k Slave: 44.1K-96K <u>ECU (TX)</u> "11K" "14.8k" "22k" "29.6k" "44k"	All rates support 16bit, >93dB	Actual bandwidth is dependent on the lower of the input or output rates. <u>Output BW vs OTA</u> "11k" = 5kHz "14.8k" = 6.5kHz "22k" = 10kHz "29.6k" = 13kHz "44k" = 20kHz
SRC 2 (Voice)	<u>I2S</u> 32-96K <u>USB</u> 8k – 48K, <u>ECU (TX)</u> "14.8k"	<u>I2S</u> Master: 48k Slave: 44.1K-96K <u>USB</u> 8k – 48K, <u>ECU (RX)</u> "14.8k"	All rates support 16bit, >93dB, but the OTA 12bit path will limit SNR to 72dB	Actual bandwidth is dependent on the lower of the input or output rates. <u>Output BW vs OTA</u> "11k" = 5kHz "14.8k" = 6.5kHz "22k" = 10kHz "29.6k" = 13kHz "44k" = 20kHz

3.9 I²S Communication Interface Timing

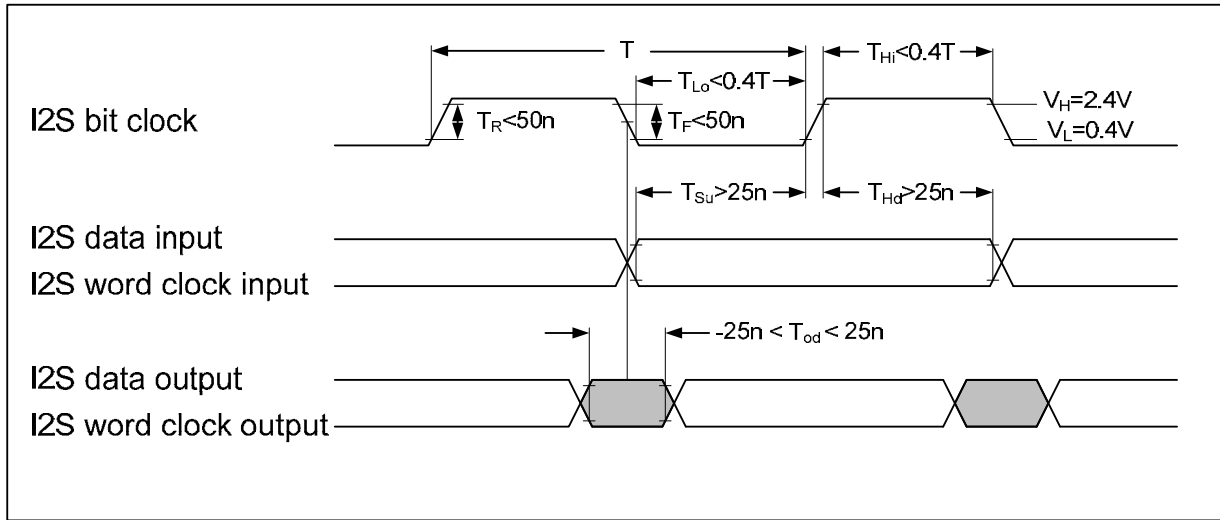
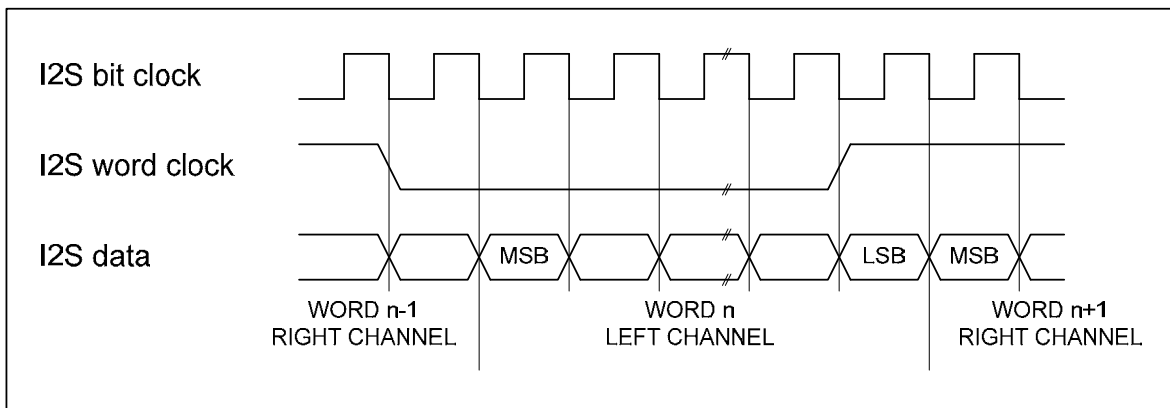


Table 2: SWA51 I2S Timing

		MIN	TYP	MAX	UNIT	NOTES
V _L	low voltage level	-0.3V	0.0V	0.4V	V	
V _H	high voltage level	2.4V	3.3V	3.6V	V	
T	clock period		325.5n		s	1/3.072MHz
T _{Lo}	clock low period	0.4T		0.6T		
T _{Hi}	clock high period	0.4T		0.6T		
T _R	rise time			50n	s	Note 1
T _F	fall time			50n	s	Note 1
T _{Su}	setup time	25n			s	
T _{Hd}	hold time	25n			s	
T _{Od}	output delay	-25n		25n	s	
	bit clocks/word clock		64			

I2S protocol is "I2S Justified" as shown below.



Note 1: The timing specified for the rise and fall times represents the edge rates on the module itself. The rise and fall times of the I2S signals are determined by ESD/EMI mitigation components on the modules, as well as external loading, and will be higher than the specified numbers

3.10 I2C Master/Slave Communication Interface Timing (S_SCL, S_SDA)

The SWA51 has both I2C slave and master interfaces available with their respective pins S_SCL, S_SDA and M_SCL, M_SDA. The interfaces operate in I2C fast-mode and can receive and transmit at up to 400 kbit/s.

Bytes are 8 bits long and are transferred with the most significant bit (MSB) first. Each byte has to be followed by an acknowledge bit. The SWA51 will apply clock-stopping (by holding the clock line S_SCL LOW to force the master into a wait state) if necessary due to internal high-priority tasks.

The slave/master interface can be used both for writing (e.g. sending commands) or reading (e.g. requesting status). An additional GPIO pin on the SWA51 (Ex. GPIO24), can be used to notify the I2C master when a pending message is ready to be sent.

The SWA51 slave interface responds to the 7-bit slave address 1000000 (0x40) as shown in Figure 1 below.

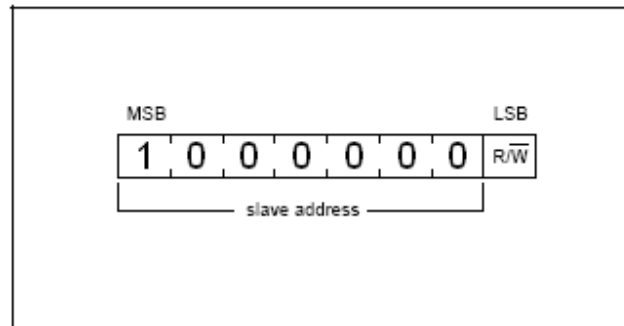


Figure 5: First Byte after the START Procedure

ELECTRICAL SPECIFICATIONS AND TIMING

Table 3: Characteristics of the S_SDA and S_SCL I/Os

PARAMETER	SYMBOL	FAST-MODE		UNIT
		MIN.	MAX.	
LOW level input voltage	V _{IL}	-0.3	0.8	V
HIGH level input voltage	V _{IH}	2.0	3.6	V
LOW level output voltage (open drain or open collector) at 1 mA sink current:	V _{OL}	0	0.4	V
Output fall time from V _{IHmin} to V _{ILmax} with a bus capacitance from 10 pF to 400 pF	t _{of}	0	250	ns
Pulse width of spikes which must be suppressed by the input filter	t _{SP}	0	50	ns
S_SCL clock frequency	f _{SCL}	0	400	kHz
LOW period of the S_SCL clock	t _{LOW}	1.3	–	μs
HIGH period of the S_SCL clock	t _{HIGH}	0.6	–	μs
Data hold time	t _{HD;DAT}	100	–	ns
Data set-up time	t _{SU;DAT}	100	–	ns

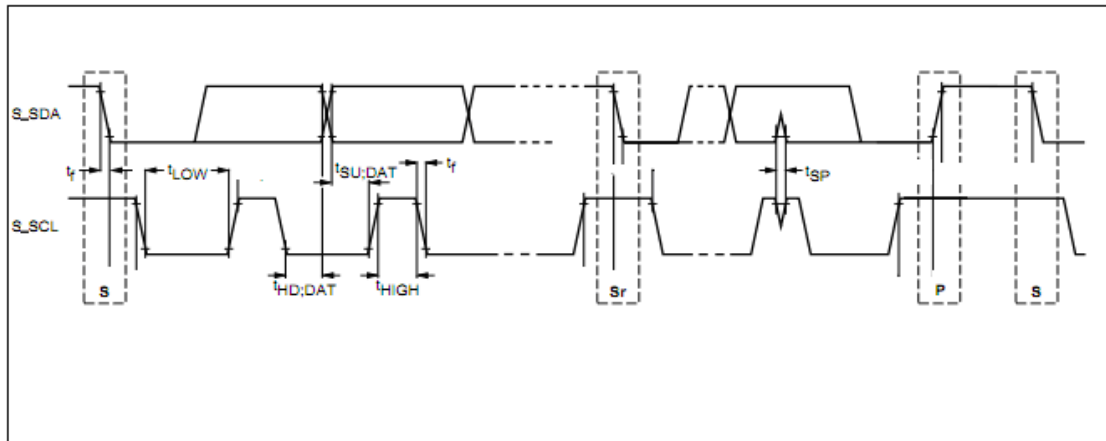


Figure 6: Definition of Timing for F/S-Mode Devices on the I²C-Bus

Ordering Information

Table 4: SWA51 Module Ordering Information

Module Part Number	Option Code	Description
SWA51	TX	Digital Input , FPC Connector, integrated printed PCB antennas
SWA51	RX	Digital Output, FPC Connector, integrated printed PCB antennas

FCC Statement:**Federal Communication Commission Interference Statement**

This equipment has been tested and found to comply with the limits for a Class B digital device, pursuant to Part 15 of the FCC Rules. These limits are designed to provide reasonable protection against harmful interference in a residential installation. This equipment generates, uses and can radiate radio frequency energy and, if not installed and used in accordance with the instructions, may cause harmful interference to radio communications. However, there is no guarantee that interference will not occur in a particular installation. If this equipment does cause harmful interference to radio or television reception, which can be determined by turning the equipment off and on, the user is encouraged to try to correct the interference by one of the following measures:

- Reorient or relocate the receiving antenna.
- Increase the separation between the equipment and receiver.
- Connect the equipment into an outlet on a circuit different from that to which the receiver is connected.
- Consult the dealer or an experienced radio/TV technician for help.

FCC Caution: Any changes or modifications not expressly approved by the party responsible for compliance could void the user's authority to operate this equipment.

This device complies with Part 15 of the FCC Rules. Operation is subject to the following two conditions: (1) This device may not cause harmful interference, and (2) this device must accept any interference received, including interference that may cause undesired operation.

This device and its antenna(s) must not be co-located with any other transmitters except in accordance with FCC multi-transmitter product procedures. Referring to the multi-transmitter policy, multiple-transmitter(s) and module(s) can be operated simultaneously without C2P.

This device is restricted for indoor use

IMPORTANT NOTE:**FCC Radiation Exposure Statement:**

This equipment complies with FCC radiation exposure limits set forth for an uncontrolled environment. This equipment should be installed and operated with minimum distance 20 cm between the radiator & your body.

IMPORTANT NOTE:

This module is intended for OEM integrator. The OEM integrator is responsible for the compliance to all the rules that apply to the product into which this certified RF module is integrated. Additional testing and certification may be necessary when multiple modules are used.

20 cm minimum distance has to be able to be maintained between the antenna and the users for the host this module is integrated into. Under such configuration, the FCC radiation exposure limits set forth for an population/uncontrolled environment can be satisfied.

Any changes or modifications not expressly approved by the manufacturer could void the user's authority to operate this equipment.

USERS MANUAL OF THE END PRODUCT:

In the users manual of the end product, the end user has to be informed to keep at least 20 cm separation with the antenna while this end product is installed and operated. The end user has to be informed that the FCC radio-frequency exposure guidelines for an uncontrolled environment can be satisfied. The end user has to also be informed that any changes or modifications not expressly approved by the manufacturer could void the user's authority to operate this equipment. If the size of the end product is smaller than 8x10cm, then additional FCC part 15.19 statement is required to be available in the users manual: This device complies with Part 15 of FCC rules. Operation is subject to the following two conditions: (1) this device may not cause harmful interference and (2) this device must accept any interference received, including interference that may cause undesired operation.

LABEL OF THE END PRODUCT:

The final end product must be labeled in a visible area with the following " Contains TX FCC ID: NKR-SWA51 ". This device complies with Part 15 of FCC rules. Operation is subject to the following two conditions: (1) this device may not cause harmful interference and (2) this device must accept any interference received, including interference that may cause undesired operation.

Responsible Party:

Contact name : Ted Su

Company : W-NeWeb Corporation

Address: 1525 McCarthy Blvd, Suite 206, Milpitas, CA 95035, U.S.A.

Tel: +1-408-457-6823

Fax: +1-408-457-6789

E-mail : Ted.Su@wnc.com.tw

IC Statement:

The device for operation in the band 5150–5250 MHz is only for indoor use to reduce the potential for harmful interference to co-channel mobile satellite systems.

les dispositifs fonctionnant dans la bande 5150-5250 MHz sont réservés uniquement pour une utilisation à l'intérieur afin de réduire les risques de brouillage préjudiciable aux systèmes de satellites mobiles utilisant les mêmes canaux.

For indoor use only.

Pour une utilisation en intérieur uniquement.

This device complies with Industry Canada license-exempt RSS standard(s). Operation is subject to the following two conditions: (1) this device may not cause interference, and (2) this device must accept any interference, including interference that may cause undesired operation of the device.

Le présent appareil est conforme aux CNR d'Industrie Canada applicables aux appareils radio exempts de licence. L'exploitation est autorisée aux deux conditions suivantes : (1) l'appareil ne doit pas produire de brouillage, et (2) l'utilisateur de l'appareil doit accepter tout brouillage radioélectrique subi, même si le brouillage est susceptible d'en compromettre le fonctionnement.

This device and its antenna(s) must not be co-located with any other transmitters except in accordance with IC multi-transmitter product procedures.

Referring to the multi-transmitter policy, multiple-transmitter(s) and module(s) can be operated simultaneously without reassessment permissive change.

Cet appareil et son antenne (s) ne doit pas être co-localisés ou fonctionner en association avec une autre antenne ou transmetteur.

IMPORTANT NOTE:

IC Radiation Exposure Statement:

This equipment complies with IC RSS-102 radiation exposure limits set forth for an uncontrolled environment. This equipment should be installed and operated with minimum distance 20 cm between the radiator & your body.

Cet équipement est conforme aux limites d'exposition aux rayonnements IC établies pour un environnement non contrôlé. Cet équipement doit être installé et utilisé avec un minimum de 20cm de distance entre la source de rayonnement et votre corps.

IMPORTANT NOTE:

This module is intended for OEM integrator. The OEM integrator is responsible for the compliance to all the rules that apply to the product into which this certified RF module is integrated. Additional testing and certification may be necessary when multiple modules are used.

20 cm minimum distance has to be able to be maintained between the antenna and the users for the host this module is integrated into. Under such configuration, the IC RSS-102 radiation exposure limits set forth for an population/uncontrolled environment can be satisfied.

Any changes or modifications not expressly approved by the manufacturer could void the user's authority to operate this equipment.

USERS MANUAL OF THE END PRODUCT:

In the users manual of the end product, the end user has to be informed to keep at least 20 cm separation with the antenna while this end product is installed and operated. The end user has to be informed that the IC radio-frequency exposure guidelines for an uncontrolled environment can be satisfied. The end user has to also be informed that any changes or modifications not expressly approved by the manufacturer could void the user's authority to operate this equipment. Operation is subject to the following two conditions: (1) this device may not cause harmful interference and (2) this device must accept any interference received, including interference that may cause undesired operation.

LABEL OF THE END PRODUCT:

The final end product must be labeled in a visible area with the following " Contains IC: 4441A-SWA51 ". The Host Model Number (HMN) must be indicated at any location on the exterior of the end product or product packaging or product literature which shall be available with the end product or online.

Table for Filed Antenna

Ant	Brand	Model name	Antenna Type	Connector	Band	Gain(dBi)
0	WNC	SWA51	Printed Antenna	N/A	B1	4.10
0	WNC	SWA51	Printed Antenna	N/A	B4	3.39
1	WNC	SWA51	Printed Antenna	N/A	B1	2.17
1	WNC	SWA51	Printed Antenna	N/A	B4	3.50