

Avaya 1140E IP Deskphone features

- Six user-defined feature keys with labels and indicators
- Four soft keys
- Graphical, high-resolution LCD display, backlit, with adjustable contrast
- High-quality speaker phone
- Volume control keys for adjusting ringer, speaker, handset, and headset volume
- Six specialized feature keys:
 - Quit, Directory, Message/Inbox, Shift/Outbox, Services, Copy
- Six call-processing fixed keys:
 - Mute, Handsfree, Goodbye, Expand to PC, Headset, Hold
- Gigabit Ethernet ports
- Built-in Gigabit Ethernet switch for shared PC access
- Headset jack with an On/Off key
- USB port to support a keyboard or mouse
- Automatic network configuration
- Hearing-aid compatibility
- Wireless headset support using a Bluetooth®1.2 technology compliant Audio Gateway (Headset Profile, Bluetooth Power Class 2)

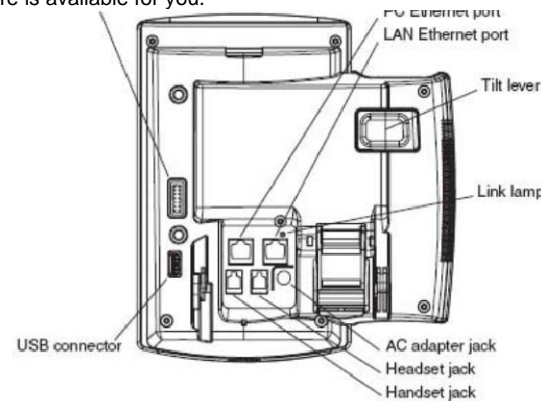


Figure 1
Features and keys



*Note: If supported by your server, the Feature Status Lamp provides a user-defined alert. Contact your system administrator to find out if this feature is available for you.

Figure 2
Connectors



Regulatory Information

Avaya 1140E IP Deskphone Emissions Statement

This device complies with Part 15 of the FCC Rules. Operation is subject to the following two conditions:

(1) this device may not cause harmful interference, and (2) this device must accept any interference received, including interference that may cause undesired operation.

Note: This equipment has been tested and found to comply with the limits for a Class B digital device, pursuant to Part 15 of the FCC Rules. These limits are designed to provide reasonable protection against harmful interference in a residential installation. This equipment generates, uses and can radiate radio frequency energy and, if not installed and used in accordance with the instructions, may cause harmful interference to radio communications. However, there is no guarantee that interference will not occur in a particular installation. If this equipment does cause harmful interference to radio or television reception, which can be determined by turning the equipment off and on, the user is encouraged to try to correct the interference by one or more of the following measures: reorient or relocate the receiving antenna, increase the separation between the equipment and receiver, connect the equipment into an outlet on a circuit different from that to which the receiver is connected, or consult the dealer or an experienced radio or TV technician for help.

The user should not make changes or modifications not expressly approved by Avaya. Any such changes could void the user's authority to operate the equipment.

This device complies with Industry Canada licence-exempt RSS standard(s). Operation is subject to the following two conditions:

(1) This device may **not cause interference**, and
(2) This device must accept any interference, including interference that may cause undesired operation of the device.

Canada, avis d'Industry Canada (IC)

Cet appareil numérique de classe B est conforme aux normes canadiennes ICES-003 et RSS-210.

Son fonctionnement est soumis aux deux conditions suivantes:

(1) cet appareil ne doit pas causer d'interférences et
(2) cet appareil doit accepter toute interférence, notamment les interférences qui peuvent affecter son fonctionnement.

This device complies with the essential requirements and other relevant provisions of R&TTE directive 1999/5/EC. A copy of the Declaration may be obtained from <http://support.avaya.com/css/appmanager/public/support> or Avaya Inc., 211 Mt. Airy Road, Basking Ridge, NJ 07920 USA.

Use only with Avaya-approved Limited Power Source (output rated 48 V DC, 380mA or 520mA) OR using Power over LAN options, including standard power over Ethernet.

Warning: The earpiece/mouthpiece region on the handset can attract and retain small objects. Privacy of communications may not be ensured when using this telephone. To prevent radio interference to the licensed service, this device must be operated indoors only and should be kept away from windows to provide maximum shielding.

IMPORTANT NOTE:

FCC Radiation Exposure Statement: This equipment complies with FCC radiation exposure limits set forth for an uncontrolled environment. This equipment should be installed and operated with minimum distance 20cm between the radiator & your body.

Date: May 2011

Document Release: Standard 02.02

Document Number: NN43113-103

Copyright © 2011 Avaya Inc.

All rights reserved.

The Bluetooth word mark and logos are owned by the Bluetooth SIG, Inc. and any use of such marks by Avaya is under license.

Other trademarks and trade names are those of their respective owners.

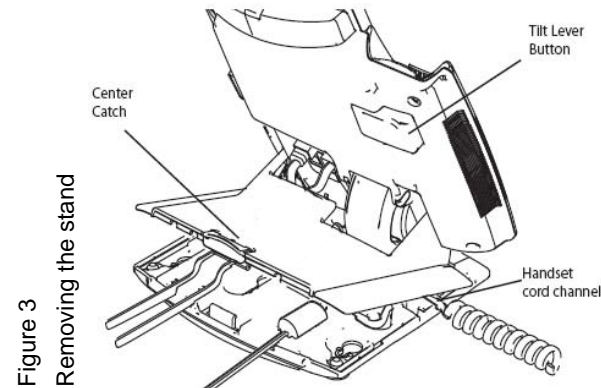


Avaya 1140E IP Deskphone Getting Started

Avaya 1140E IP Deskphone installation

Caution: Your Avaya 1140E IP Deskphone is shipped with the base locked in position. To avoid damaging your phone, press the wall-mount lever, located just under the Handsfree key as indicated in Figure 5, to release the base and pull it.

Step 1: Remove the stand cover. Pull upward on the center catch as indicated in Figure 3, and remove the stand cover. The cable routing tracks are now accessible.



Step 2: Connect the AC power adapter (optional). Connect the adapter to the AC adapter jack in the bottom of the phone. Form a small bend in the cable, and then thread the adapter cord through the channels in the stand.

Warning: To use local AC power, use only the Avaya-approved Global Power Supply (NTYS17xxE6) for this model of phone.

Note 1: Your Avaya 1140E IP Deskphone supports AC power or Power over Ethernet (PoE), including IEEE 802.3af standard power. To use local AC power, the optional AC adapter can be ordered separately. To use PoE, where power is delivered over the CAT5e cable, your connected LAN must support Power over Ethernet. If you use PoE, you do not require an AC adapter.

Note 2: You must use CAT5e (or later) cables if you want to use gigabit Ethernet.

Step 3: Install the handset. Connect the end of the handset cable with the short straight section into the handset. Connect the end of the handset cable with the long straight section to the back of the phone, using the RJ-9 handset jack marked with the symbol \oplus . Form a small bend in the cable, and then thread the handset cord through the channels in the stand so that it exits behind the handset on the right side, in the Handset cord exit marked with the symbol \oplus in the stand base, as shown in Figure 3.

Step 4: Install the headset (optional). If you are installing a headset, plug the connector into the RJ-9 headset jack marked with the symbol \ominus on the back of the phone, and thread the headset cord along with the handset cord through the channels in the stand, so that the headset cord exits the channel marked with the symbol \ominus .

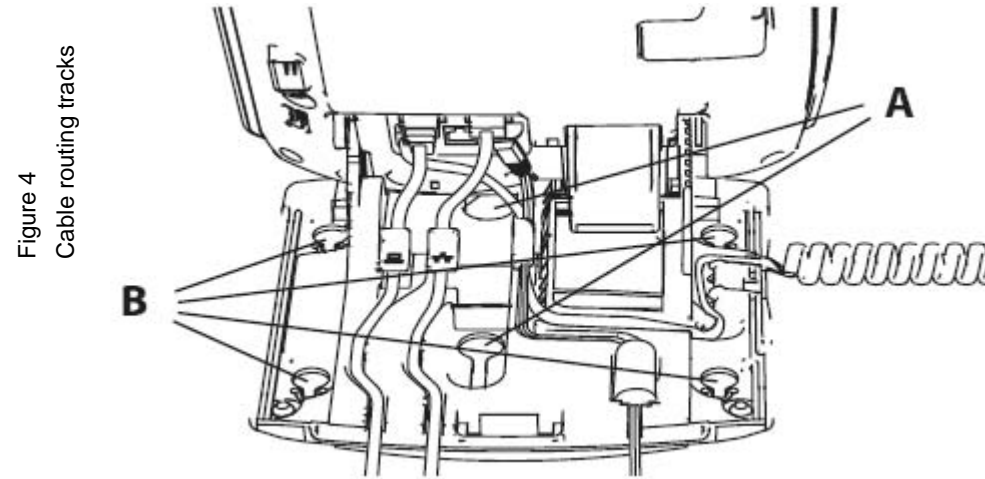
Step 5: Install the Ethernet cable. Connect one end of the supplied Ethernet cable to the back of your phone using the RJ-45 connector marked with the symbol $\%$. Thread the network cable through the channel marked with the symbol $\%$.

Step 6: Install the Ethernet cable connecting the PC to the phone (optional). If you are connecting your PC to the network through the phone, connect one end of the PC Ethernet cable to your phone using the RJ-45 connector marked with the symbol $\%$, and thread it through the channel marked with the symbol $\%$. Connect the other end to the LAN connector

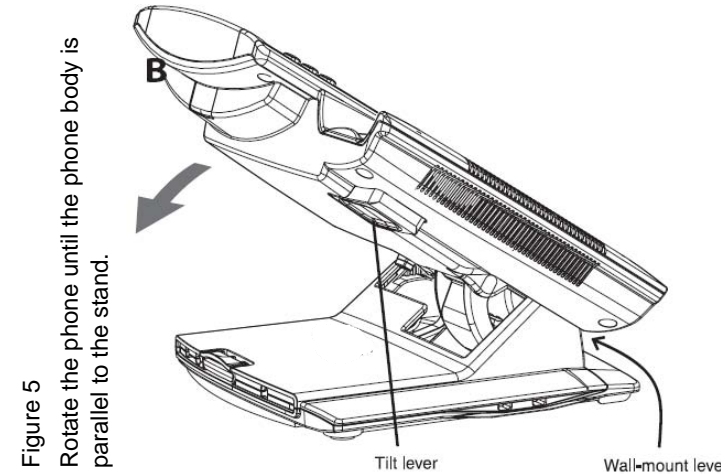
Avaya 1140E IP Deskphone installation

on the back of your PC.

Step 7: Install additional cables. If applicable, plug in optional USB devices. Connect the Ethernet cable to the LAN Ethernet connection. If you are using an AC power adapter, plug the adapter into an AC outlet.



Step 8: Wall-mount your phone (optional). Your Avaya 1140E IP Deskphone can be mounted either by: (Method A) using the mounting holes on the bottom of the phone stand, or (Method B) using a traditional style wall-mount box with RJ-45 connector and 15-cm (6-inch) CAT5e cable (not provided).



Complete steps 1-7, as needed, before you wall-mount your phone:

Method A: Press the wall-mount lever, and pull the phone away from the stand, as shown in Figure 5. Using the stand cover (the part you removed in step 1), mark the wall-mount holes by pressing the bottom of the stand cover firmly against the wall in the location where you wish to install the phone. Four small pins on the bottom of the stand cover make marks on the wall. Use the marks as a guideline for installing the wall-mount screws (not provided).

Install the screws so that they protrude 3 mm (1/8 inch) from the wall, then install the phone stand mounting holes over the screw heads as indicated in Figure 4 (Method A). You may

Avaya 1140E IP Deskphone installation and controls

need to remove the phone from the wall to adjust the lower screws. When the lower screws are snug, install the phone on the mounting screws, and tighten the top screws.

Due to the wide variety of materials and construction techniques, the user is advised to select an appropriate fastener and/or anchor type for the wall. Please consult your local hardware store or other expert for assistance in selecting the correct fastener for your application.

Method B: Attach the 15-cm (6-inch) CAT5e cable (not provided), position the stand over the mounting rivets, and slide the phone down the wall so that the rivets fit into the slots on the stand, indicated in Figure 4 (Method B).

Step 9: Replace the stand cover. Ensure that all cables are neatly routed and press the stand cover into place until you hear a click.

Step 10: Put the phone in the wall-mount position (optional). If you wall-mounted your phone, put it in the wall-mount position by holding the Tilt lever and pressing the phone towards the base until the phone is parallel with the base. Release the Tilt lever and continue to push the phone towards the base until you hear an audible click. Ensure the phone is securely locked in position.

Avaya 1140E IP Deskphone controls:

Controlling volume

Press the up or down volume control key while using your handset, headset, or speaker to adjust the volume of the associated device.

Answering a call

Lift the handset to answer a ringing call, or press the **Handsfree** or **Headset** key.

Making a call with the handset

To make a call using the primary line, lift the handset and enter the phone number on the dialpad. If your phone is programmed with several line keys, press a line key to select a line before calling. When your call is complete, press the **Goodbye** key or return the handset to the cradle.

Making a call with the headset or using Handsfree

Press the **Headset** or **Handsfree** key. Enter the phone number. When your call is complete, press the **Goodbye** key.

Using Hold and Mute

While on a call, press the **Hold** key to place your caller on hold. Press the line key to retrieve your call. The icons next to the line keys indicate held lines, while the Mute LED lights when Mute is active. Press the **Mute** key to mute your handset, headset, or speaker, allowing you to speak privately. Press the **Mute** key again to speak with your caller.

Setting the contrast

To adjust the display contrast, press the **Services** key, select **Telephone Options**, and select **Contrast Adjustment**. Use the up/down arrow keys or up/down soft keys to change the setting.

Setting the language

To select the language used by the local menus, press the Services key twice quickly to open the local menu. Select **1. Preferences**, select **2. Language**, and use the up/down arrow keys to choose the language.

Note: Use the Telephone Options menu to select the language used by call-server features. Consult the *Avaya 1140E IP Deskphone User Guide NN43113-106* for more information.

AVAYA