

# TravelMate C110 series

## User's Guide



**DRAFT**

Copyright © 2003. Acer Incorporated.  
All Rights Reserved.

TravelMate C110 series User's Guide  
Original Issue: March 2003

Changes may be made periodically to the information in this publication without obligation to notify any person of such revision or changes. Such changes will be incorporated in new editions of this manual or supplementary documents and publications. This company makes no representations or warranties, either expressed or implied, with respect to the contents hereof and specifically disclaims the implied warranties of merchantability or fitness for a particular purpose.

Record the model number, serial number, purchase date, and place of purchase information in the space provided below. The serial number and model number are recorded on the label affixed to your computer. All correspondence concerning your unit should include the serial number, model number, and purchase information.

No part of this publication may be reproduced, stored in a retrieval system, or transmitted, in any form or by any means, electronic, mechanical, photocopy, recording, or otherwise, without the prior written permission of Acer Incorporated.

TravelMate C110 series Convertible Tablet PC

Model number : \_\_\_\_\_

Serial number: \_\_\_\_\_

Purchase date: \_\_\_\_\_

Place of purchase: \_\_\_\_\_

Acer and the Acer logo are registered trademarks of Acer Incorporated. Other company's product names or trademarks are used herein for identification purposes only and belong to their respective companies.

# Contents

|   |    |
|---|----|
| First things first                          | v  |
| Your guides                                 | v  |
| Basic care and tips for using your computer | vi |
| <br>  |    |
| 1 Getting to know your TravelMate           | 1  |
| A TravelMate tour                           | 3  |
| Front view                                  | 3  |
| Left view                                   | 6  |
| Right view                                  | 7  |
| Rear view                                   | 8  |
| Bottom view                                 | 9  |
| Using your computer in tablet mode          | 10 |
| Switching to tablet mode                    | 10 |
| Switching to computer mode                  | 15 |
| Features                                    | 16 |
| Indicators                                  | 18 |
| Using the keyboard                          | 19 |
| Special keys                                | 19 |
| Touchpad                                    | 26 |
| Touchpad basics                             | 26 |
| Storage                                     | 28 |
| Hard disk                                   | 28 |
| Optical drive                               | 28 |
| Audio                                       | 29 |
| Adjusting the volume                        | 29 |
| Power management                            | 30 |
| Moving around with your TravelMate          | 31 |
| Disconnecting from the desktop              | 31 |
| Moving around                               | 31 |
| Taking the computer home                    | 32 |
| Traveling with the computer                 | 34 |
| Traveling internationally with the computer | 34 |
| Securing your computer                      | 36 |
| Using a computer security lock              | 36 |
| Using passwords                             | 36 |
| <br>  |    |
| 2 Customizing your computer                 | 41 |
| Expanding through options                   | 43 |
| Connectivity options                        | 43 |
| Upgrade options                             | 49 |
| Notebook Manager                            | 50 |
| Launch Manager                              | 51 |

|   |    |
|---|----|
| BIOS Utility                            | 52 |
| 3 Troubleshooting your computer         | 53 |
| Frequently-asked questions              | 55 |
| Troubleshooting tips                    | 58 |
| Error messages                          | 59 |
| Requesting service                      | 63 |
| International Traveler's Warranty (ITW) | 63 |
| Before you call                         | 63 |
| Appendix A Specifications               | 65 |
| Appendix B Notices                      | 71 |

# First things first

We would like to thank you for making the TravelMate series of notebook computers your choice for your mobile computing needs. We hope you will be happy with your TravelMate as much as we enjoyed making it for you.

## Your guides

To help you use your TravelMate, we have designed a set of guides:



First off, the **Just for Starters...** poster helps you get started with setting up your computer.



This **User's Guide** introduces you to the many ways your computer can help you be more productive. This guide provides clear and concise information about the computer, so read it thoroughly.

If you ever need to print out a copy, this User's Guide is also available in PDF (Portable Document Format). Follow these steps:

- 1** Click on **Start, All Programs, TravelMate.**
- 2** Click on **TravelMate User's Guide.**

**Note:** Viewing the file requires Adobe Acrobat Reader installed. If Adobe Acrobat Reader is not installed on your computer, clicking on TravelMate User's Guide will run the Acrobat Reader setup program first. Follow the instructions on the screen to complete the installation. For instructions on how to use Adobe Acrobat Reader, access the **Help** menu.



A handy **Pocket Guide** is useful for quick glances at functional key combinations.



Lastly, there may be a **Read me first** sheet included with your package which contains important reminders and updates. So, please read through it.

For more information about our products, services, and support information, please visit our web site (<http://global.acer.com>).

## Basic care and tips for using your computer

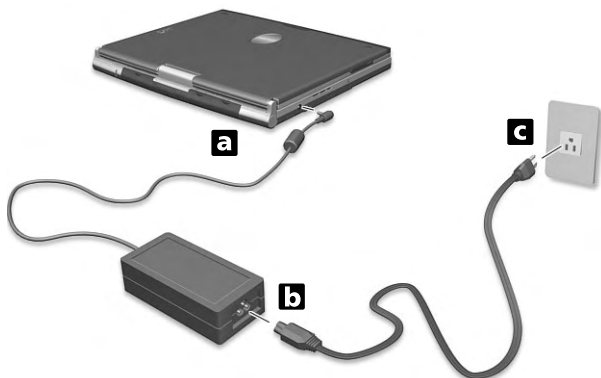
### Connecting your computer

Connecting the computer is as easy as 1-2-3.

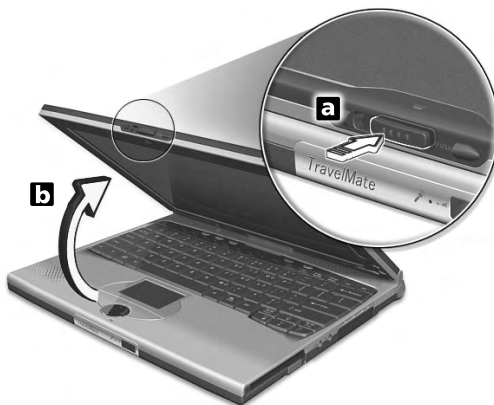
- 1** Insert the battery pack into the battery compartment, and press down until it clicks into place.



- 2** Connect one end of the AC adapter to the power jack on the computer's left panel and the other end to a properly-grounded power outlet.



- 3** Push the display cover two-way latch to open the display.



- 4** Slide the power switch, located on the right panel, towards the rear of the computer (a) then release it (b) to turn on the power. The POST (power-on self-test) routine executes and Windows begins loading.



To turn the power off, do any of the following:

- Click on **Start, Turn off Computer**; then click **Turn Off**.
- Use the power switch



.....

**Note:** You can also use the power switch to perform power management functions. See “Power management” on page 30.

- Use the customized functions for power management

You can also shut down the computer by closing the display cover, or by pressing the sleep hot key (**Fn-F4**).



.....

**Note:** If you cannot power off the computer normally, press and hold the power switch for more than four seconds to shut down the computer. If you turn off the computer and want to turn it on again, wait at least two seconds before powering up.

## Taking care of your computer

Your computer will serve you well if you take care of it.

- Do not expose the computer to direct sunlight. Do not place it near sources of heat, such as a radiator.
- Do not expose the computer to temperatures below 0°C (32°F) or above 50°C (122°F).
- Do not subject the computer to magnetic fields.
- Do not expose the computer to rain or moisture.
- Do not spill water or any liquid on the computer.
- Do not subject the computer to heavy shock and vibration.
- Do not expose the computer to dust and dirt.
- Never place objects on top of the computer to avoid damaging the computer.
- Do not slam the computer display when you close it.
- Never place the computer on uneven surfaces.

## Taking care of your AC adapter

Here are some ways to take care of your AC adapter:

- Do not connect the adapter to any other device.



- Do not step on the power cord or place heavy objects on top of it. Carefully route the power cord and any cables away from personal traffic.
- When unplugging the power cord, do not pull on the cord itself but pull on the plug.
- The total ampere ratings of the equipment plugged in should not exceed the ampere rating of the cord if you are using an extension cord. Also, the total current rating of all equipment plugged into a single wall outlet should not exceed the fuse rating.

## Taking care of your battery pack

Here are some ways to take care of your battery pack:

- Use only batteries of the same kind as replacements. Turn the power off before removing or replacing batteries.
- Do not tamper with batteries. Keep them away from children.
- Dispose of used batteries according to local regulations. Recycle if at all possible.

## Cleaning and servicing

When cleaning the computer, follow these steps:

- 1** Power off the computer and remove the battery pack.
- 2** Disconnect the AC adapter.
- 3** Use a soft cloth moistened with water. Do not use liquid or aerosol cleaners.

If any of the following occurs:

- The computer has been dropped or the body has been damaged.
- Liquid has been spilled into the product.
- The computer does not operate normally.

Please refer to "Troubleshooting my computer" on page 53.



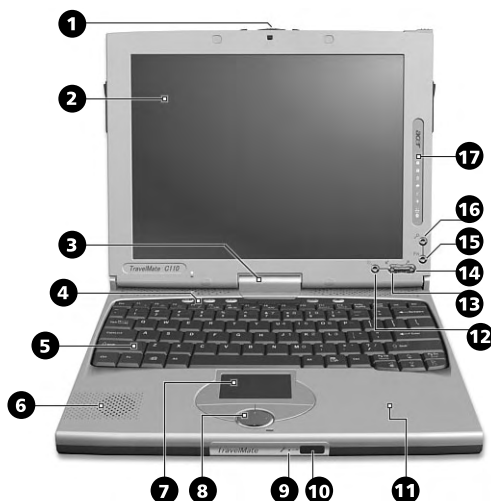
# 1 Getting to know your TravelMate

Your TravelMate computer combines high-performance, versatility, power management features and multimedia capabilities with a unique style and ergonomic design. Work with unmatched productivity and reliability with your new power computing partner.






# A TravelMate tour


After setting up your computer as illustrated in the **Just for Starters...** poster, let us show you around your new TravelMate computer.

## Front view



| # | Item              | Description   |
|---|-------------------|---|
| 1 | Two-way latch     | Use to latch the LCD screen in both normal mode and tablet mode.  |
| 2 | Display screen    | Also called LCD (liquid-crystal display), displays computer output. Input-capable with the aid of the EMR stylus. |
| 3 | Convertible hinge | Hinges the LCD screen in place when switching from PC mode to tablet mode and vice versa.                         |

| #  | Item  | Description   |
|----|---|---|
| 4  | Launch keys   | Buttons for launching frequently used programs. See "Launch keys" on page 25 for more details.  |
| 5  | Keyboard  | Inputs data into your computer.   |
| 6  | Speaker   | Outputs sound from your computer.   |
| 7  | Touchpad  | Touch-sensitive pointing device which functions like a computer mouse.  |
| 8  | Click buttons (left, center and right)  | The left and right buttons function like the left and right mouse buttons; the center button is a 4-way scroll key.   |
| 9  | Microphone<br>         | Captures sounds and voices into your computer.  |
| 10 | Infrared port<br>      | Interfaces with infrared devices (e.g., infrared printer, IR-aware computers).  |
| 11 | Palmrest  | Comfortable support area for your hands when you use the computer.  |
| 12 | Enter button<br>      | Use to confirm selection in tablet mode. This button can also be used to emulate the <b>ESC</b> button by first pressing the <b>Fn</b> button and then this button. This button can be configured by the user. See note on page 5.    |
| 13 | Page down button<br> | Use to scroll one page down in tablet mode. This button can also be used to emulate the <b>Tab</b> button by first pressing the <b>Fn</b> button and then this button. This button can be configured by the user. See note on page 5. |
| 14 | Page up button<br>   | Use to scroll one page up in tablet mode. This button is used to rotate the display by first pressing the <b>Fn</b> button and then this button. This button can be configured by the user. See note on page 5.                       |

| #  | Item   | Description   |
|----|--|---|
| 15 | Function key button<br><br><b>Fn</b>   | This button is used together with other buttons to invoke the tablet applications. This button is set and cannot be configured by the user.                                     |
| 16 | Windows Security button<br><br> | This button is used to emulate the <b>CTRL+ALT+DEL</b> key combination which launches the Windows Security dialog box. This button is set and cannot be configured by the user. |
| 17 | Status indicators  | LEDs (light-emitting diodes) that turn on and off to show the status of the computer and its functions and components.  |



-----

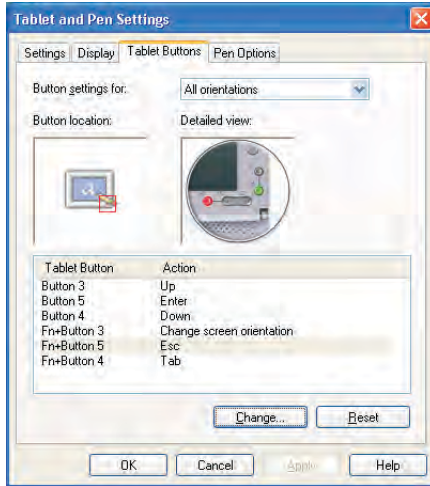
**Note:** To configure the Enter, Page up and Page down buttons, double-click on the **Change tablet and pen settings icon** on the Windows taskbar.



- or -


Click on **Start** on the Windows taskbar and click on **Control Panel** to open the Control Panel dialog box. Click on **Change to classic view**, then double-click on the **Change tablet and pen settings**.

Click on the **Tablet Buttons** tab on the Tablet and Pen Settings dialog box and change the buttons accordingly.



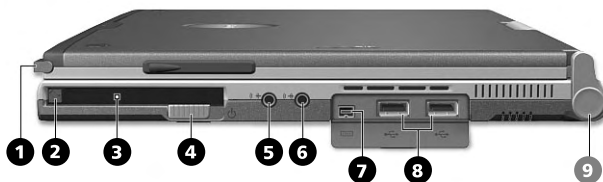
Left view








| # | Item  | Description   |
|---|---|---|
| 1 | Screen support  | Supports the LCD screen, press and release before switching from PC mode to tablet mode and vice versa. |
| 2 | Power jack<br> | Connects to an AC adapter.  |
| 3 | Hard disk bay   | Houses the computer's hard disk (secured by a screw).   |



## Right view



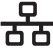



| # | Item  | Description  |
|---|---|--|
| 1 | EMR stylus  | Electromagnetic resonance (EMR) stylus that is used to input data in tablet mode. Use only an EMR-compatible stylus to input data on the screen. |
| 2 | PC Card eject button  | Ejects the PC Card from the slot.  |
| 3 | PC Card slot<br>                 | Accepts one Type II 16-bit PC Card or 32-bit CardBus PC Card.  |
| 4 | Power switch  | Turns on the computer power.   |
| 5 | Speaker/Headphone-out jack<br> | Connects to audio line-out devices (e.g., speakers, headphones).   |
| 6 | Line-in jack<br>               | Accepts audio line-in devices (e.g., audio CD player, stereo walkman).   |
| 7 | IEEE 1394 port<br>             | Connects to IEEE 1394 devices.   |

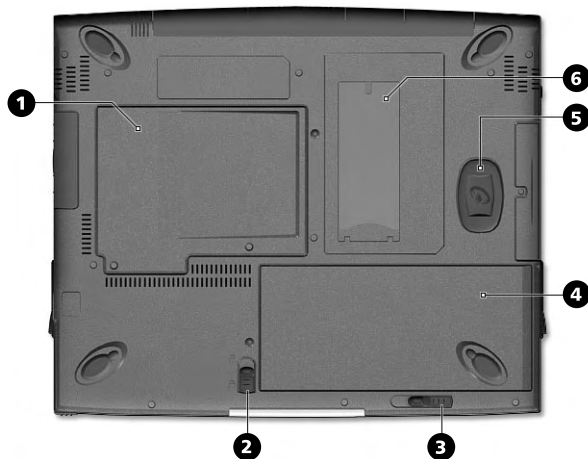
| # | Item   | Description   |
|---|--|---|
| 8 | USB ports (two)<br> | Connect to any Universal Serial Bus device (e.g., USB mouse, USB camera).                               |
| 9 | Screen support   | Supports the LCD screen, press and release before switching from PC mode to tablet mode and vice versa. |

## Rear view



| # | Item   | Description  |
|---|--|--|
| 1 | Security keylock   | Connects to a Kensington-compatible computer security lock.  |
| 2 | Expansion port<br>         | Connects to I/O port replicator or EasyPort expansion devices.   |
| 3 | Modem jack<br>            | Connects to a phone line.  |
| 4 | Network jack<br>          | Connects to an Ethernet 10/100-based network.  |
| 5 | External display port<br> | Connects to a display device (e.g., external monitor, LCD projector) and displays up to 16M colors at 1024 x 768 resolution. |

## Bottom view



| # | Item                            | Description   |
|---|---------------------------------|---|
| 1 | Memory compartment              | Houses the computer's main memory.                              |
| 2 | Battery lock/unlock latch       | Locks and unlocks the battery bay.                              |
| 3 | Battery release latch           | Unlatches the battery to remove the battery pack.               |
| 4 | Battery bay                     | Houses the computer's battery pack.                             |
| 5 | Hard disk anti-shock protection | Protects your hard disk against accidental shock and vibration. |
| 6 | Personal identification slot    | Insert an identification card to personalize your computer.     |

# Using your computer in tablet mode

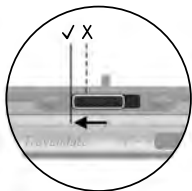
Your computer is designed for convenience, ergonomic use, and portability. Running the Windows XP Tablet PC edition operating system, your TravelMate utilizes an EMR stylus for pen-based input. Software developed specifically for the computer allows for both handwriting recognition converted to application text, or handwriting captured as rich digital ink for manipulation, editing, and formatting. By combining Windows-based applications with the versatility of pen-based input, this computer offers new ways for users to communicate in a wireless environment.

## Switching to tablet mode

To switch to tablet mode, follow the steps below:

- 1** Push and slide the two-way latch in the direction as shown in the illustration below (a) and open the display screen (b).





Push and slide the two-way latch all the way as shown in the illustration above.



.....  
**Warning: When switching to tablet mode, make sure that you open the display at an angle between 85° to 95°.**



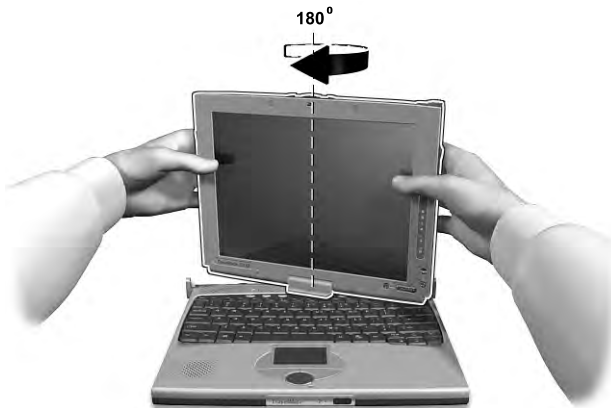
**Doing otherwise will damage your keyboard when rotating the display screen.**



- 2 Press and release the screen support holding the display screen on both sides.

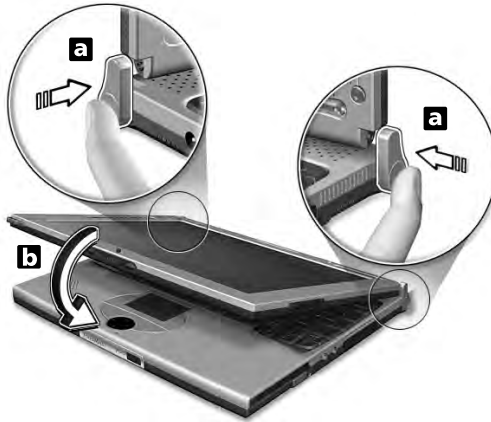


- 3 Rotate the display screen 180 degrees clockwise as shown in the illustration. Make sure that the display screen is aligned with the screen supports that will hold it in place.



**Warning:** Rotate the display screen clockwise only when switching to the tablet mode. Rotating the display screen counterclockwise might damage it.

- 4 Press the screen supports on both sides until they click into place (a); then close and latch the display.



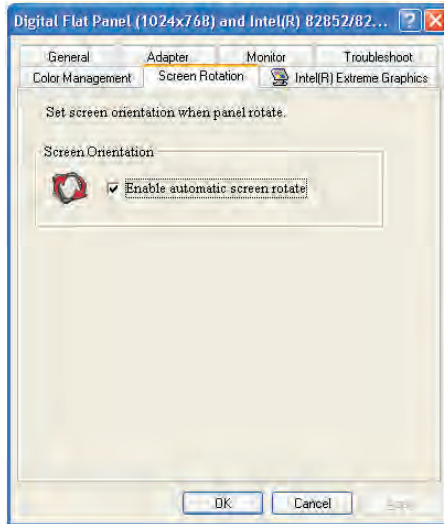
- 5 Remove the EMR stylus from its slot to begin pen-based input.



Switching to and from tablet mode automatically rotates the display screen image orientation, so you can get right to work.



This feature can be enabled or disabled. Right-click on the Windows desktop. The Display Properties window appears. Click on the **Settings** tab, and click on **Advanced**. Click on the **Screen Rotation** tab in the window that appears.



To enable this feature, make sure Enable automatic screen rotate is checked.

## Switching to computer mode

To switch back to computer mode, reverse the steps of the "Switching to tablet mode" procedure on page 10.