

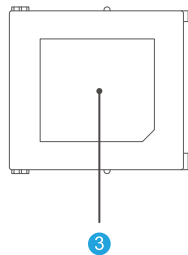
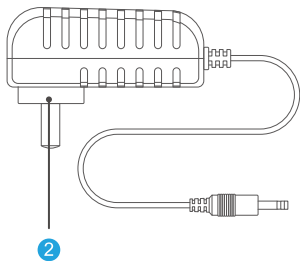
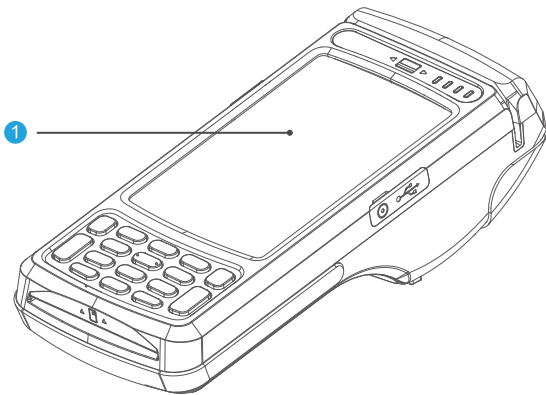
wizarPOS
☎ 400-161-2917

wizarHAND Q1

使用说明书



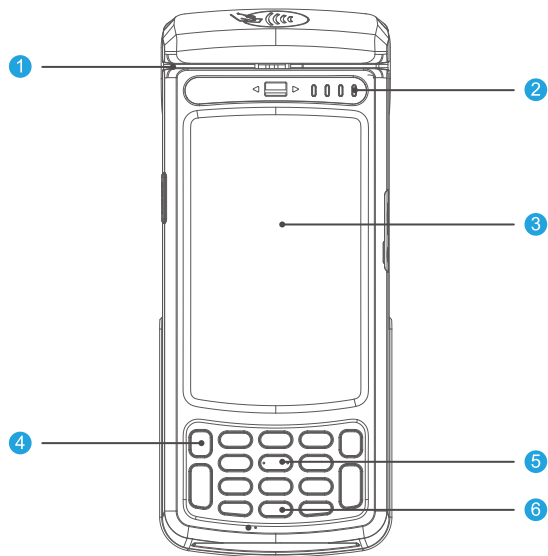
www.wizarpos.com



1 wizarHAND Q1
wizarHAND Q1

2 电源适配器
Adapter

3 电池
Battery



1 磁条卡读卡器
Magnetic Card Reader

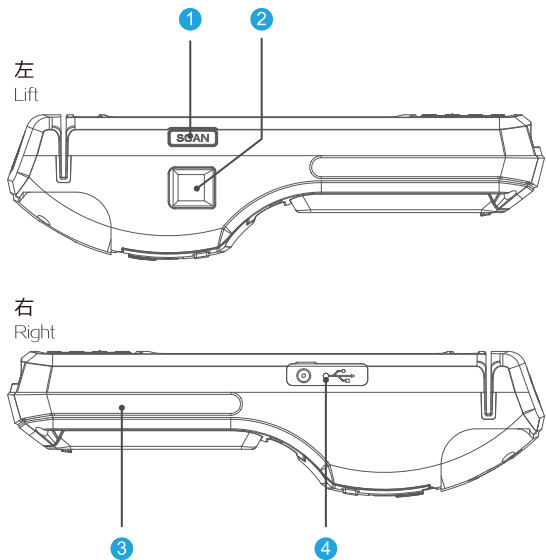
2 LED状态指示灯 × 4
4 Indicators

3 4英寸电容式多点触摸屏
4" Capacitive Multi-touch Screen

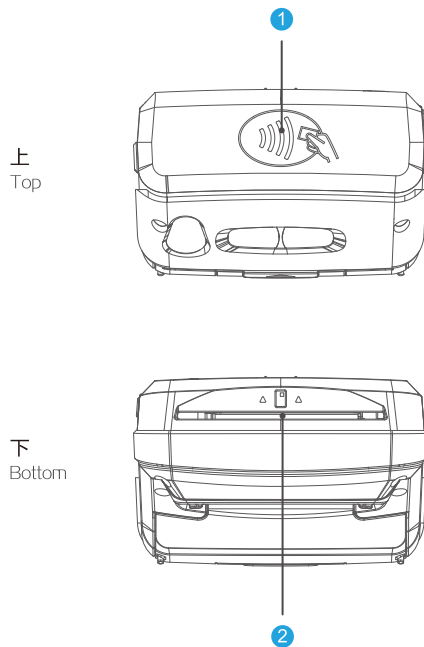
4 开关键
Power Key

5 密码键盘
PINPAD

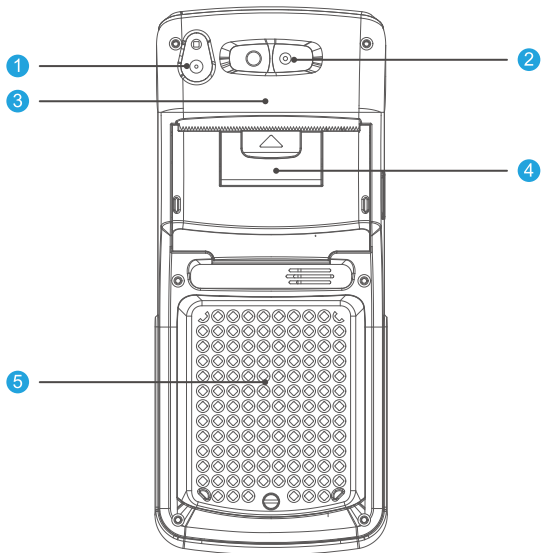
6 扫描键
Scan Key



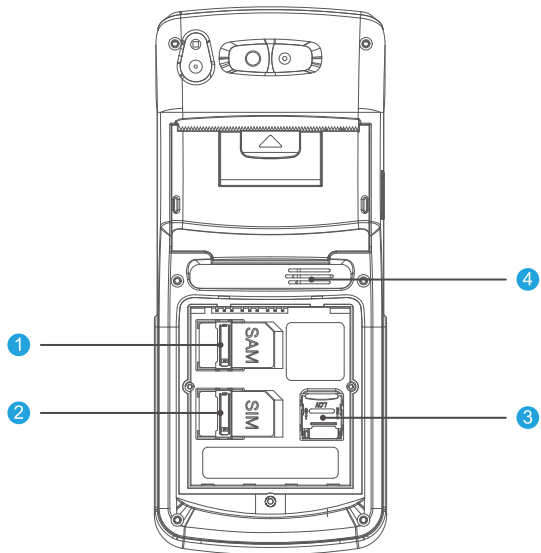
- 1 扫描键
Scan Key
- 2 按压式指纹扫描模块
Fingerprint Sensor
- 3 双色注塑软性防撞防滑条
Double Injection TPU Grip
- 4 电源接口 & Micro-USB 接口
DC Jack & Micro-USB Port



- 1 非接卡读卡区域
Contactless Card Reader
- 2 智能卡读卡器
IC Card Reader



- ① 高清自动对焦摄像头
Auto-focus Camera
- ② 一维、二维码扫描头
Barcode and 2D Barcode Scanner
- ③ 双色注塑软性防撞块
Double Injection TPU Anti Block
- ④ 58mm热敏打印机
58mm Thermal Printer
- ⑤ 大容量锂离子聚合物电池
Large-capacity lithium-ion polymer battery



- ① SAM卡槽
SAM Card Slot
- ② SIM卡槽
SIM Card Slot
- ③ TF卡槽
TF Card Slot
- ④ 喇叭
Speaker

规格配置	详细描述
软件平台	安卓4.X安全支付系统
处理器	高性能四核CPU
内存	1G RAM、8GB Flash
显示屏	4英寸电容式多点触摸屏（800×480分辨率）
打印机	内置高速58mm热敏打印机
摄像头	500万像素自动对焦摄像头，带闪光灯
条码扫描	专用一维码、二维码扫描头，带指示灯
生物识别	按压式指纹识别模块（选配）
安全认证	PCI PTS 4.1
磁条卡读卡器	支持ISO7811 1/2/3磁道卡，双向刷卡
IC卡读卡器	符合ISO7816、PBOC3.0和EMV Level 1&2规范
非接卡读卡器	支持ISO/IEC 14443 Type A&B、Mifare卡，EMV Level 1&2
内置卡座	SIM×1、SAM×1、TF×1
无线通讯	GSM、3G、WiFi、Bluetooth
GPS	内置，支持A-GPS、Glonass
USB接口	Micro-USB OTG，兼容USB2.0 HS标准
电池	7.4V 2400毫安时锂离子聚合物电池
外观尺寸	184×78×49毫米
重量	450克

以上产品规格仅供参考，产品最新信息请查阅慧银官方网站
www.wizarpos.com。

Specification	Detailed Description
Software Platform	Secure Android 4.X
Processor	Quad-Core CPU
Memory	1GB RAM, 8GB Flash
Display	4" Capacitive Multi-touch Screen (800 x 480)
Printer	High Speed 58mm Thermal Printer
Camera	5M With Auto-Focus and Flash
Scanner	Barcode and 2D Barcode
Biometric	Fingerprint Sensor (Optional)
Security	PCI PTS 4.1
MSR	ISO7811 Track 1/2/3, Bi-Direction
Chip Card	ISO 7816, PBOC3.0, EMV Level 1&2
Contactless	ISO/IEC 14443 Type A&B, Mifare, EMV Level 1&2
Slots	SIM×1, SAM×1, TF×1
Communication	GSM, 3G, WiFi, Bluetooth
GPS	A-GPS, Glonass
USB	Micro-USB OTG, USB 2.0 HS Compliant
Battery	7.4V 2400mAh Lithium-ion Polymer Battery
Dimension	184×78×49 mm
Weight	450g

All features and specifications are subject to change without notice.
Contact wizarPOS website for more details.

www.wizarpos.com

🔍 本机注意事项 (Precautions for the device)

- ◆ 请勿将本机放在阳光直射的场所或封闭的汽车内。

Avoid exposing to direct sunlight and do **NOT** leave in a closed car.

- ◆ 请勿使用非本机提供的配件。

Do **NOT** use accessories those are not provided with this device.

- ◆ 请勿用尖锐物件触摸LCD荧幕。

Do **NOT** touch the LCD screen with a sharp object.

🔍 其它注意事项 (Other precautions)

- ◆ 请勿在直接将机身或电源转接器长时间放在裸露的皮肤上。因为即使正常使用时，这些位置的温度亦有可能升高。

Do **NOT** directly use the device or the power adapter on bare skin for a long time. The temperature of the station may rise even during normal operation.

- ◆ 不得在本机湿润时开启电源。

If the device is wet, do **NOT** turn on the power.

- ◆ 清洁本机时，请用干软布擦拭，不要使用苯或稀释剂等化学制剂。

When cleaning the device, wipe it with a soft dry cloth. Do **NOT** use any chemicals, such as benzene or thinner.

⚠️ 警示 (Warning)

- ◆ 不得以任何方式拆卸或改装本机，如需更换电池，请联系售后。使用错误型号的电池更换会有爆炸危险！

Do **NOT** disassemble or alter in any manner. Please contact to service center if battery is necessary to be replaced. Using the wrong type of battery for replacement may have the hazard of explosion.

- ◆ 请勿施加过大的冲击力，如将本机从高处掉下。

Do **NOT** apply excessive impact like dropping the device from a high place.

- ◆ 避免将本机处于潮湿环境中。

Avoid humidity.

- ◆ 本机应当远离明火。

Keep the device away from open flames.



工作温度 (Operating temperature)
0°C~40°C (+32°F to 104°F)



工作湿度 (Operating humidity)
20%~85% 无冷凝 (No condensation)



存储温度 (Storage temperature)
-20°C~60°C (-4°F to 140°F)



存储湿度 (Storage humidity)
10%~90% 无冷凝 (No condensation)

FCC Statement

This device complies with Part 15 of the FCC rules. Operation is subject to the following two conditions: 1) this device may not cause harmful interference, and 2) this device must accept any interference received, including interference that may cause undesired operation.

Note: This equipment has been tested and found to comply with the limits for a Class B digital device, pursuant to part 15 of the FCC Rules. These limits are designed to provide reasonable protection against harmful interference in a residential installation. This equipment generates uses and can radiate radio frequency energy and, if not installed and used in accordance with the instructions, may cause harmful interference to radio communications. However, there is no guarantee that interference will not occur in particular installation. If this equipment does cause harmful interference to radio or television reception, which can be determined by turning the equipment off and on, the user is encouraged to try to correct the interference by one or more of the following measures:

- Reorient or relocate the receiving antenna.
- Increase the separation between the equipment and receiver.
- Connect the equipment into an outlet on a circuit different from that to which the receiver is connected.
- Consult the dealer or an experienced radio/TV technician for help.

Changes or modifications not expressly approved by the party responsible for compliance could void the user's authority to operate the equipment.

FCC RF Exposure Information and Statement

The SAR limit of USA (FCC) is 1.6 W/kg averaged over one gram of tissue.

Device types: WIZARHAND Q1 (FCC ID: 2AG97-Q1) has also been tested against this SAR limit. SAR information on this and other device can be viewed on-line at <http://www.fcc.gov/oet/ea/fccid/>. Please use the device FCC ID number for search. This device was tested for typical body-worn operations with the device kept 0mm from the body.

The use of belt clips, holsters and similar accessories should not contain metallic components in its assembly. The use of accessories that do not satisfy these requirements may not comply with FCC RF exposure requirements, and should be avoided.