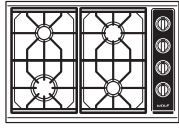
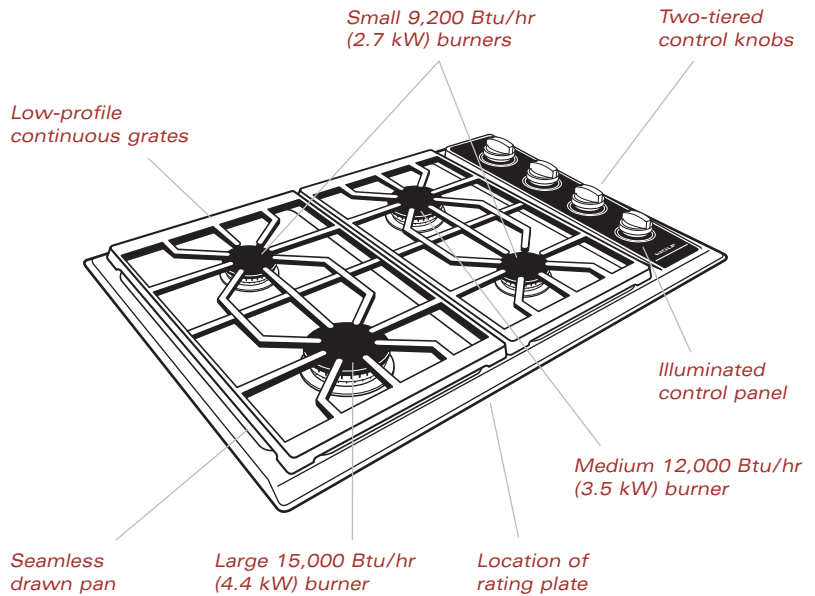


**30" (762) Gas Cooktop**  
**MODEL CT30G**



Model CT30G



► The Wolf Model CT30G 30" (762) gas cooktop is available in natural or LP gas, with classic or platinum stainless steel finish. The model number followed by (-LP) denotes an LP gas model.



This appliance is certified by Star-K to meet strict religious regulations in conjunction with specific instructions found on [www.star-k.org](http://www.star-k.org).

**N**ew features make cooking a greater pleasure than ever. For instance, at higher settings the patented Dual Stacked Burner design uses its upper-level burner for maximum heat transfer. Merely turn down the illuminated knob and the lower-tier burners delivers fine-tuning control and True Simmer. This patented feature allows you to have the slightest of flame and enjoy a simmer with no boiling or scorching.

Available in your choice of classic or platinum stainless steel finish.

The sealed burners and deep recess of the seamless drawn pan area make clean up of any of those previously unsightly spills a snap.

A more powerful 15,000 Btu/hr (4.4 kW) burner is now standard.

Let Wolf, the corporate companion and kitchen soul mate of Sub-Zero, fuel your passion for cooking and kitchen design.

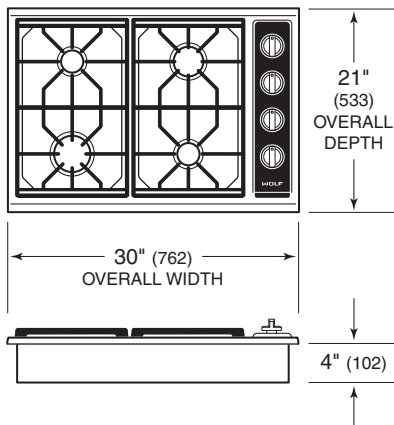
## 30" (762) Gas Cooktop

MODEL CT30G

### FEATURES

- ▶ Available in natural and LP gas
- ▶ Stainless steel top construction, available in classic and platinum stainless steel finishes
- ▶ Four dual-stacked, sealed burners with automatic reignition on all settings
- ▶ One large 15,000 Btu/hr (4.4 kW) sealed burner with 800 Btu/hr (.2 kW) delivered at simmer
- ▶ One medium 12,000 Btu/hr (3.5 kW) sealed burner with 800 Btu/hr (.2 kW) delivered at simmer
- ▶ Two small 9,200 Btu/hr (2.7 kW) sealed burners with 300 Btu/hr (.1 kW) delivered at simmer
- ▶ Individual spark ignition system
- ▶ True Simmer setting on all burners
- ▶ Illuminated control panel with two-tiered control knobs
- ▶ Low-profile, cast iron continuous burner grates with matte porcelain finish
- ▶ Seamless drawn burner pan
- ▶ CSA certified for US and Canada
- ▶ Two and five year residential warranty—exclusions apply; warranty information can be found on our website, [wolfappliance.com](http://wolfappliance.com)

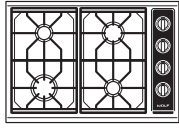
### OVERALL DIMENSIONS ▼



*Unit dimensions may vary by  $\pm 1/8$ " (3).*

*Dimensions in parentheses are in millimeters unless otherwise specified.*

**30" (762) Gas Cooktop**  
**MODEL CT30G**



Model CT30G

**MODEL OPTIONS** ▼

Classic Stainless Steel	CT30G/S
Platinum Stainless Steel	CT30G/P

*Natural gas models listed, for LP gas add (-LP) to the model numbers.*

**VENTILATION OPTIONS**

- ▶ 30" (762) Cooktop hood or Pro wall or wall chimney hood or liner
- ▶ 30" (762) or 45" (1143) downdraft ventilation system
- ▶ 36" (914) Pro island hood

*For additional information, refer to the Cooktop or Pro Ventilation sections of our website, wolfappliance.com.*

**ACCESSORIES**

- ▶ One-piece wok grate and single burner grate
- ▶ Filler strip
- ▶ High altitude conversion kit

*Accessories are available through your Wolf dealer. To obtain local dealer information, visit the Showroom Locator section of our website, wolfappliance.com.*

**SPECIFICATIONS** ▼

Overall Cooktop Width	30" (762)
Overall Cooktop Height	4" (102)
Overall Cooktop Depth	21" (533)
<b>Burner Rating</b>	
One 15,000 Btu/hr (4.4 kW) burner with 800 Btu/hr (.2 kW) delivered at simmer	
One 12,000 Btu/hr (3.5 kW) burner with 800 Btu/hr (.2 kW) delivered at simmer	
Two 9,200 Btu/hr (2.7 kW) burners with 300 Btu/hr (.1 kW) delivered at simmer	
Recommended Cabinet Width	33" (838)
Minimum Cabinet Width	30" (762)
Minimum Cabinet Depth	22 <sup>3</sup> / <sub>4</sub> " (578)
Minimum Height Clearance	4" (102)
Cooktop Cut-Out Width	29" (737)
Cooktop Cut-Out Depth	19 <sup>1</sup> / <sub>4</sub> " (489)
Electrical Supply Requirements	120 V AC, 60 Hz 15 amp circuit
Power Cord	6' (1.8 m) power cord with grounded plug
Gas Rating	45,400 Btu/hr (13.3 kW)
Shipping Weight	50 lbs (23 kg)

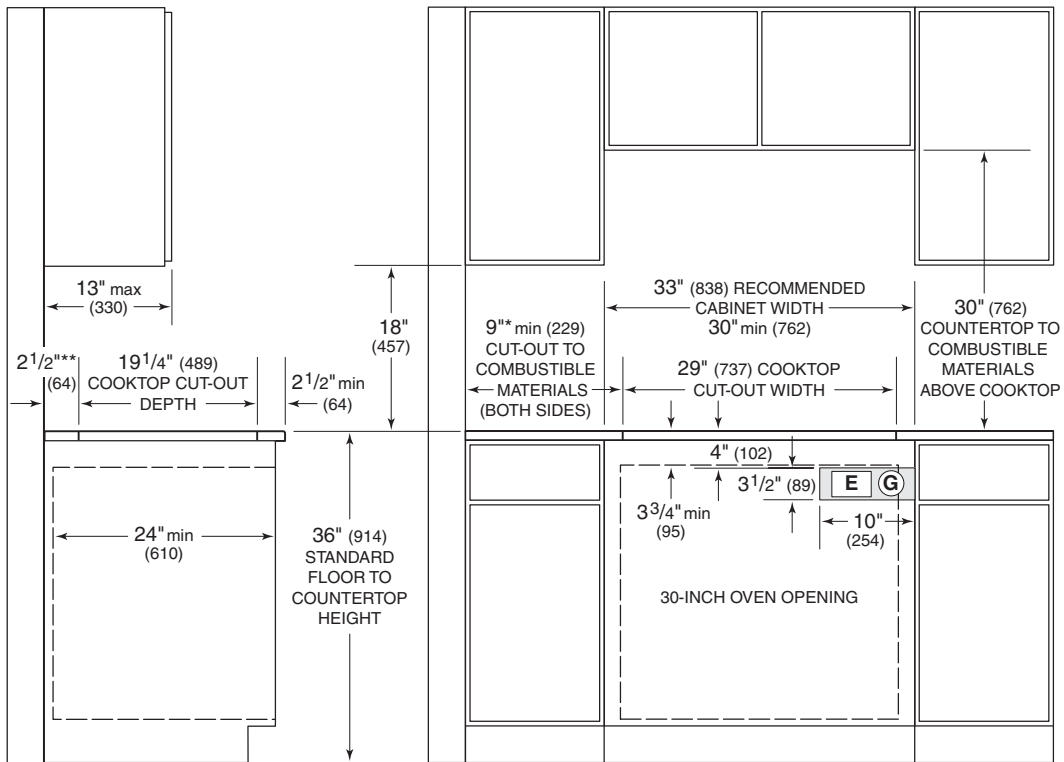
*Specifications are subject to change without notice.*

*Unit dimensions may vary by ± 1/8" (3).*

*Dimensions in parentheses are in millimeters unless otherwise specified.*

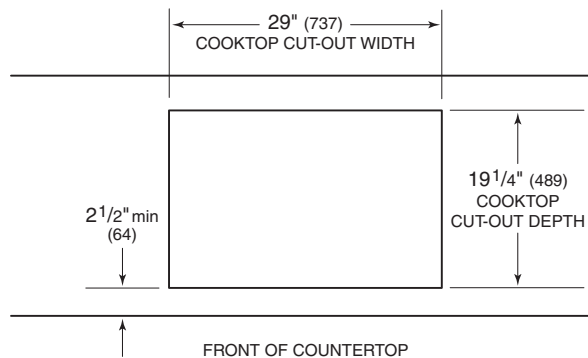
**30" (762) Gas Cooktop**  
**MODEL CT30G**

**INSTALLATION SPECIFICATIONS**



\*Minimum clearance from both side edges of cooktop cut-out to combustible materials up to 18" (457) above countertop.

\*\*Minimum clearance from rear edge of cooktop cut-out to combustible materials up to 18" (457) above countertop.



**DIMENSIONS**

Recommended Cabinet Width	33" (838)
Minimum Cabinet Depth	22 <sup>3</sup> / <sub>4</sub> " (578)
Cooktop Cut-Out Width	29" (737)
Cooktop Cut-Out Depth	19 <sup>1</sup> / <sub>4</sub> " (489)
Location of Electrical and Gas Supply	Within shaded area

See Installation Instructions shipped with unit for detailed specifications.

Dimensions in parentheses are in millimeters unless otherwise specified.

## 30" (762) Gas Cooktop

MODEL CT30G

### INSTALLATION NOTES

- ▶ Refer to the illustrations and specifications for overall dimensions, cut-out dimensions and installation specifics.
- ▶ Wolf recommends using a 33" (838) wide cabinet with the 30" (762) gas cooktop.
- ▶ A Wolf downdraft system, Cooktop or Pro ventilation hood is recommended. When installing a ventilation hood, refer to the specific requirements of the hood for the minimum dimension to countertop. Also refer to the ventilation recommendation charts in the cooktop or Pro ventilation sections of our website, wolfappliance.com.
- ▶ The Wolf 30" (762) gas cooktop requires a separate 120 V AC, 60 Hz power supply. The service should have its own 15 amp circuit breaker and a grounded 3-prong receptacle should be located within the reach of the 6' (1.8 m) power cord. Locate electrical within the shaded area shown in the illustration on page 4.

**IMPORTANT NOTE:** A ground fault circuit interrupter (GFCI) is not recommended and may cause interruption of operation.

- ▶ Wolf gas cooktops are designed to operate on natural gas at 5" (12.5 mb) WC (water column) pressure or LP gas at 10" (25 mb) WC pressure. The minimum line pressure for natural gas is 7" (17.5 mb) WC and 11" (27.4 mb) WC for LP gas. The maximum gas supply pressure to the regulator should never exceed 14" (34.9 mb) WC; .5 psi (3.5 kPa). It is supplied with a 1/2" NPT male gas connection at the right rear bottom corner of the cooktop. The male connector exits the unit straight down and you are supplied with a regulator with two female connectors.
- ▶ You must follow all National Electrical Code and gas regulations. In addition, be aware of local codes and ordinances when installing your services.

- ▶ Wolf gas cooktops using natural gas function up to an altitude of 8,000' (2438 m) without any adjustment. Natural gas installations from 8,000' (2438 m) to 10,000' (3048 m) need the high altitude conversion kit. LP gas installations will operate up to 10,000' (3048 m) without adjustment.
- ▶ When a gas cooktop is installed above cabinets, placement of the electrical and gas supply is not critical. A grounded outlet needs to be placed within 4' (1.2 m) of the right rear of the cooktop.
- ▶ A Wolf built-in single oven may be installed below this cooktop. For this installation, the electrical and gas supply for the cooktop should be installed in the adjacent cabinet. Refer to page 6 for specifications. Be aware of the depth of the cooktop when planning for this installation.

**IMPORTANT NOTE:** When a built-in oven is installed below the cooktop, unless you are using cabinets deeper than 24" (610), it is recommended that the electrical supply be placed in an adjacent cabinet within reach of the conduit.

**IMPORTANT NOTE:** Wolf gas cooktops are designed and agency approved for installation with Wolf built-in ovens only.

- ▶ When multiple cooktop units are installed side by side, refer to the countertop cut-out dimensions on page 7.
- ▶ Refer to the installation instructions shipped with each Wolf product for detailed specifications.

#### **⚠ WARNING**

***This cooktop is intended for indoor use only.***

**30" (762) Gas Cooktop**  
**MODEL CT30G**

**INSTALLATION WITH BUILT-IN OVEN**

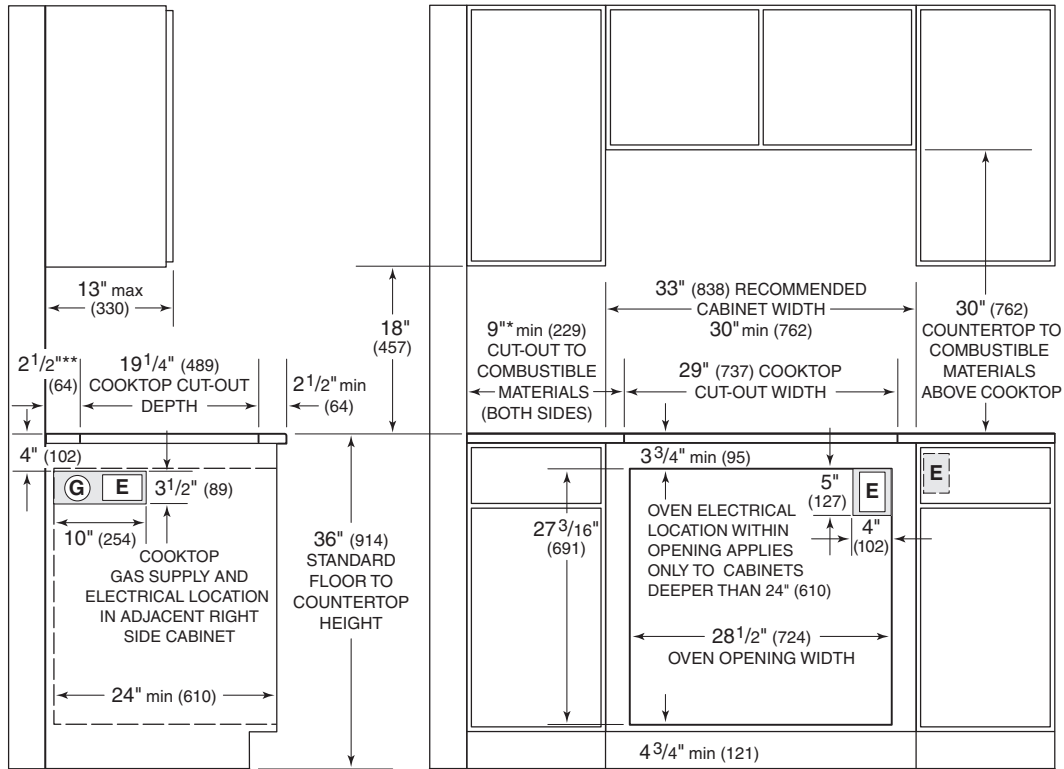
The Wolf 30" (762) gas cooktop may be installed above a 30" (762) L Series or E Series built-in single oven. Refer to the illustration below for specifications.

**IMPORTANT NOTE:** When a built-in oven is installed below the cooktop, unless you are using cabinets deeper than 24" (610), it is recommended that the electrical supply for the oven and the electrical and gas supply for the cooktop be located in the adjacent right side cabinet. A 2" (51) diameter hole to route the conduit through cabinetry will be required.

**IMPORTANT NOTE:** Wolf gas cooktops are designed and agency approved for installation with Wolf built-in ovens only.

Wolf recommends using a 33" (838) wide cabinet for this installation. A minimum 24" (610) of usable cabinet depth is required. The cabinet base must be able to support 250 lbs (113 kg).

For additional specifications, refer to the built-in ovens section of our website, [wolfappliance.com](http://wolfappliance.com).



\*Minimum clearance from both side edges of cooktop cut-out to combustible materials up to 18" (457) above countertop.

\*\*Minimum clearance from rear edge of cooktop cut-out to combustible materials up to 18" (457) above countertop.

Unless you are using cabinets deeper than 24" (610), the electrical supply for the oven and the gas and electrical supply for the cooktop should be located in the adjacent right side cabinet as shown.

*Installation of a 30" (762) gas cooktop above a 30" (762) L Series or E Series single oven.*

**30" (762) Gas Cooktop**  
**MODEL CT30G**

**MULTIPLE COOKTOP INSTALLATION**

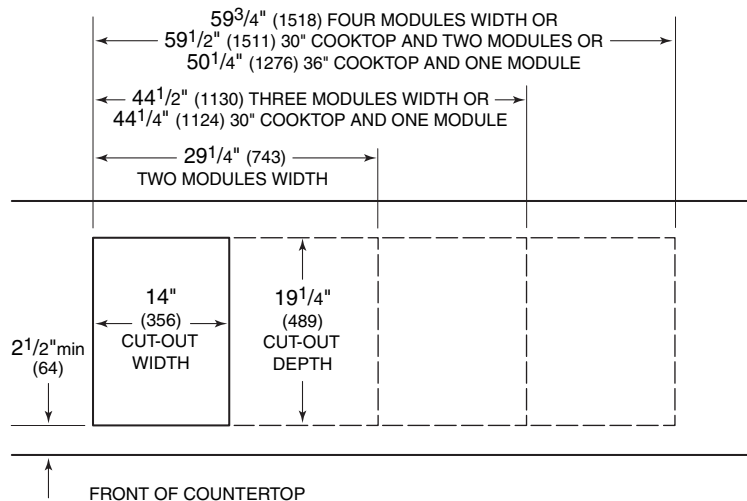
With Wolf's integrated modules, you have the ultimate in customization. You can create your own design by mixing and matching the various components within this system. And when you couple these modules with other cooktops within the Wolf inventory you and your client will truly understand freedom of choice.

Some Wolf integrated modules can be installed together or with a 30" (762) or 36" (914) cooktop. When multiple units are installed side by side, the cut-out dimensions that are shown in the illustration are derived by adding 1 1/4" (32) additional space for each additional unit, to give you your total cut-out width. Refer to the illustration below for countertop cut-out dimensions for installation of multiple cooktop units.

When two or more cooktops or modules are installed together, an accessory filler strip is recommended. Refer to Accessories on page 3.

**IMPORTANT NOTE:** When multiple cooktops and/or modules are installed side by side, each unit must have its own separate recommended electrical circuit. When multiple gas cooktops and/or modules are installed next to one another, they can receive their gas supply from a common line. However, each unit must have its own regulator installed between the mainline and the cooktop or module.

**IMPORTANT NOTE:** Review specifications for each specific integrated module for installation requirements and limitations. Refer to the integrated modules section of our website, [wolfappliance.com](http://wolfappliance.com).



*Countertop cut-out dimensions for installation of multiple cooktop units.*

*Dimensions in parentheses are in millimeters unless otherwise specified.*