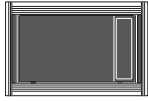


Convection Microwave Oven
MODEL MWC24



Model MWC24
Freestanding



Model MWC24
30" (762) L Series Trim



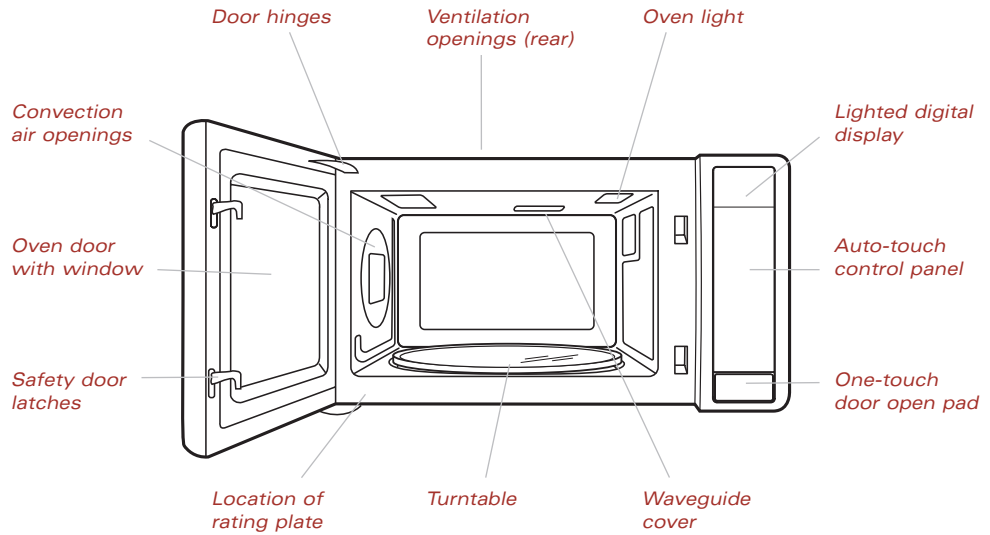
Model MWC24
36" (914) L Series Trim



Model MWC24
27" (686) E Series Trim



Model MWC24
30" (762) E Series Trim



► The Wolf Model MWC24 24" (610) convection microwave oven can be used freestanding or in built-in applications. L Series trim kits allow microwave to be built in to fit above a 30" (762) or 36" (914) L Series oven and are available in classic, platinum and carbon stainless steel finishes. The E Series 30" (762) trim kit allows microwave to be built in to fit above a 30" (762) E Series oven. A 27" (686) E Series trim kit is also available. E Series trim kits come in the classic stainless steel finish.

Taking the experience we've gained from our microwave ovens and combining that with the expertise of convection, Wolf has brought the best of both cooking technologies together in one unit.

This handsome microwave can be used with optional trim in combination with a Wolf built-in oven to finish off your cooking tower with an integrated look.

You can choose from two different trim styles to match our L Series and E Series ovens. The L Series trim is more traditional while the E Series trim is more contemporary in appearance. L Series trim is available in three stainless steel finishes—classic, platinum and carbon and E Series trim comes in classic only.

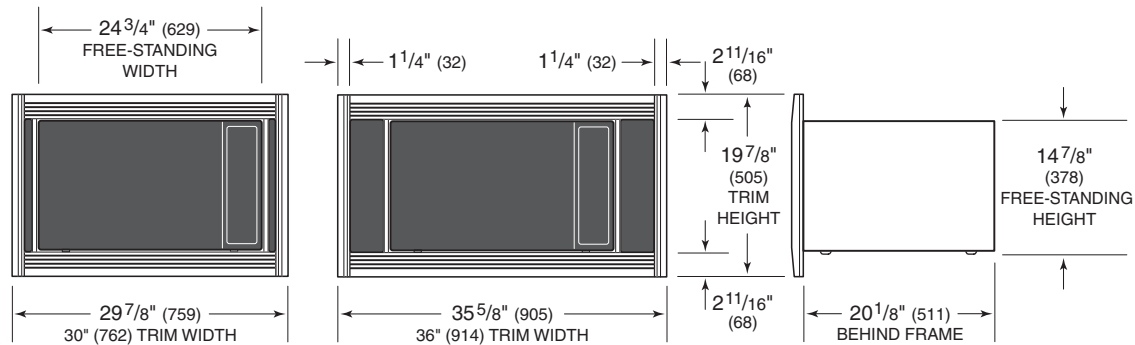
Aside from looking beautiful whether you use it in conjunction with a built-in oven or not, this microwave oven offers you all the performance you would expect from Wolf—a cooking company with a heritage of nearly 75 years in the kitchen.

Convection Microwave Oven
MODEL MWC24

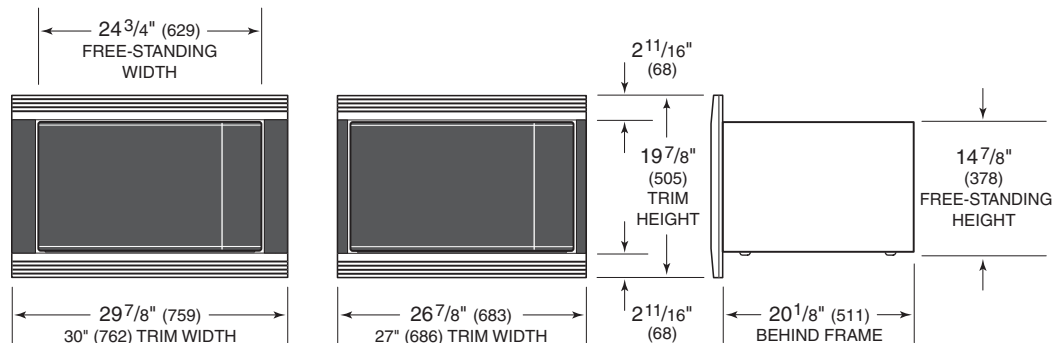
FEATURES

- ▶ Built-in or freestanding convection microwave oven with 1.5 cu ft (42 L) capacity and 900 watts of power
- ▶ Classic, platinum or carbon stainless steel finishes for L Series trim kits—classic stainless steel finish for E Series trim kits
- ▶ Sensor cooking
- ▶ Slow cook mode for up to four hours
- ▶ Easy-to-operate control panel and programmable power options
- ▶ Interactive display—99 minutes, 99 seconds
- ▶ Menu label and food guide
- ▶ Multi-language—English, French and Spanish
- ▶ Removable turntable and turntable support
- ▶ Microwave tray for popcorn and meat
- ▶ Multiple-rack baking
- ▶ Safety door latches—oven will not operate unless the door is closed
- ▶ Oven light comes on when oven is operating or door is open
- ▶ Tight door seals with one-touch door open pad
- ▶ Two and five year residential warranty—exclusions apply; warranty information can be found on our website, wolfappliance.com

OVERALL DIMENSIONS ▼



Model MWC24 with 30" (762) and 36" (914) L Series trim.



Model MWC24 with 30" (762) and 27" (686) E Series trim.

Unit dimensions may vary by $\pm \frac{1}{8}$ " (3).

Dimensions in parentheses are in millimeters unless otherwise specified.

Convection Microwave Oven
MODEL MWC24

TRIM OPTIONS ▼

30" (762) L Series Trim —

Classic Stainless	MWCTRIM30/S
Platinum Stainless	MWCTRIM30/P
Carbon Stainless	MWCTRIM30/B

36" (914) L Series Trim —

Classic Stainless	MWCTRIM36/S
Platinum Stainless	MWCTRIM36/P
Carbon Stainless	MWCTRIM36/B

27" (686) E Series Trim —

Classic Stainless	MWCTRIM27-2/S
-------------------	---------------

30" (762) E Series Trim —

Classic Stainless	MWCTRIM30-2/S
-------------------	---------------

Optional trim kits are available as sales accessories through your Wolf dealer. To obtain local dealer information, visit the [Showroom Locator](#) section of our website, wolfappliance.com.

SPECIFICATIONS ▼

Overall Microwave Width (freestanding)	24 ³ / ₄ " (629)
Overall Microwave Width with 30" (762) L Series or E Series Trim	29 ⁷ / ₈ " (759)
Overall Microwave Width with 27" (686) E Series Trim	26 ⁷ / ₈ " (683)
Overall Microwave Width with 36" (914) L Series Trim	35 ⁵ / ₈ " (905)
Overall Microwave Height (freestanding)	14 ⁷ / ₈ " (378)
Overall Microwave Height with Trim	19 ⁷ / ₈ " (505)
Overall Microwave Depth	20 ¹ / ₈ " (511)
Interior Capacity	1.5 cu ft (42 L)
Interior Dimensions	16 ¹ / ₈ " W x 9 ⁵ / ₈ " H x 16 ¹ / ₈ " D (410 x 244 x 410)
Power	900 W
Electrical Rating (with convection)	1.6 kW
Electrical Supply Requirements	110/120 V AC 60 Hz, 15 amp circuit
Power Cord	3 ¹ / ₂ ft (1.1 m) power cord with grounded plug
Minimum Base Support	125 lbs (57 kg)
Shipping Weight	68 lbs (31 kg)
Special Note	Optional trim allows microwave to be built in to fit above a single oven

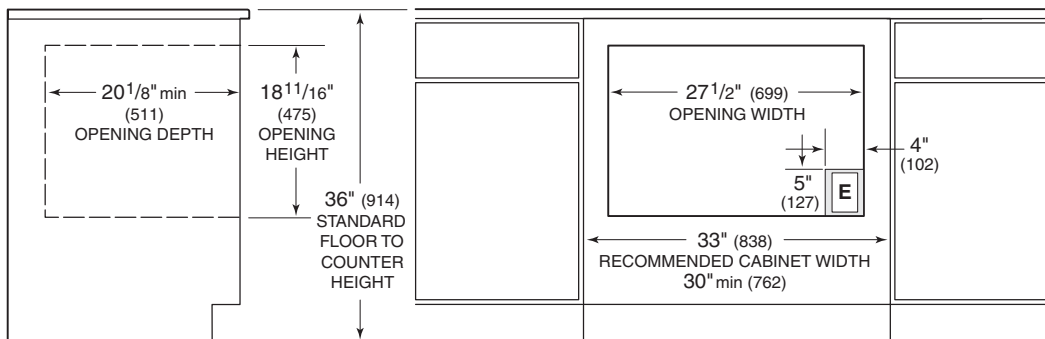
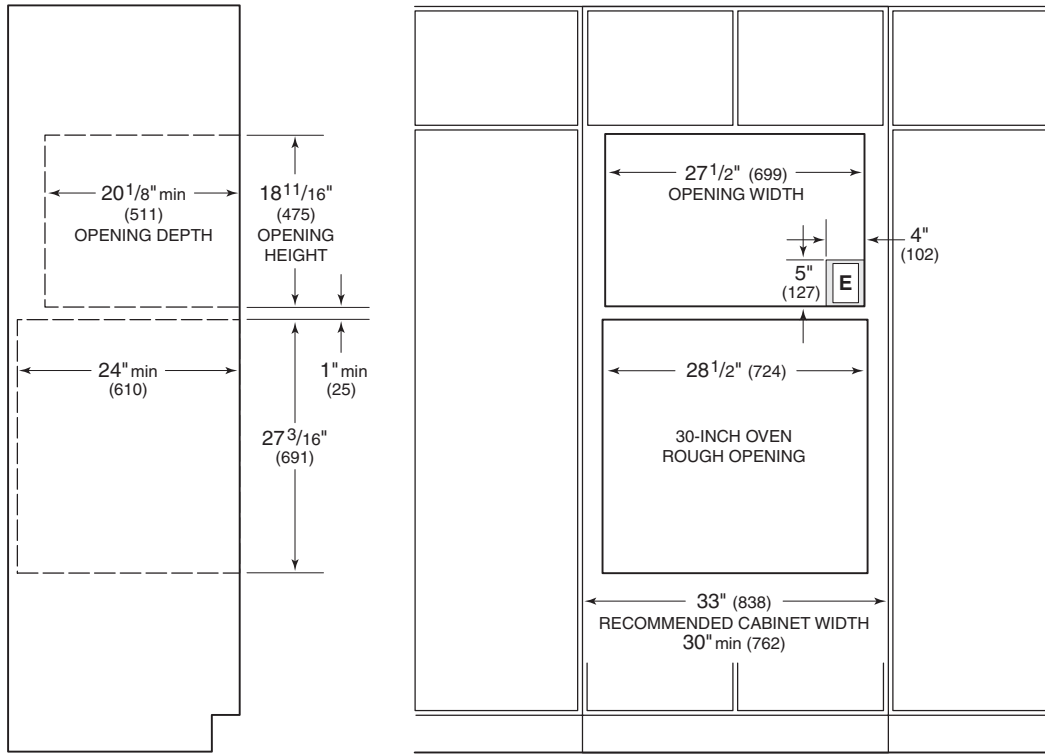
Specifications are subject to change without notice.

Unit dimensions may vary by ± 1/8" (3).

Dimensions in parentheses are in millimeters unless otherwise specified.

Convection Microwave Oven
MODEL MWC24

INSTALLATION WITH 30" (762) L SERIES TRIM



DIMENSIONS

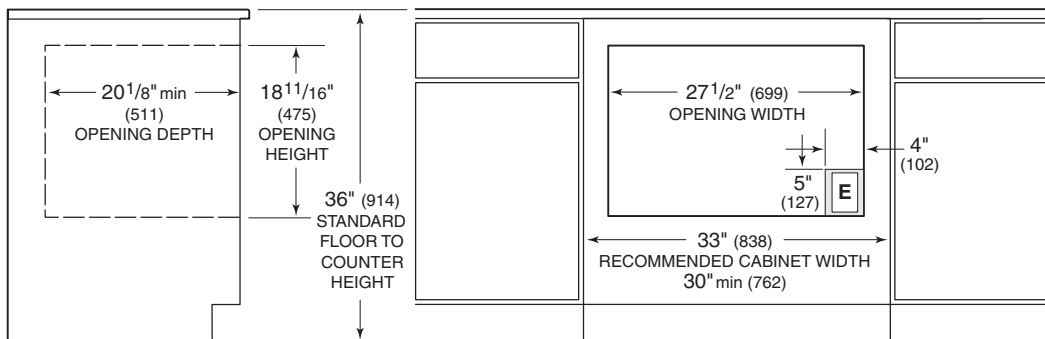
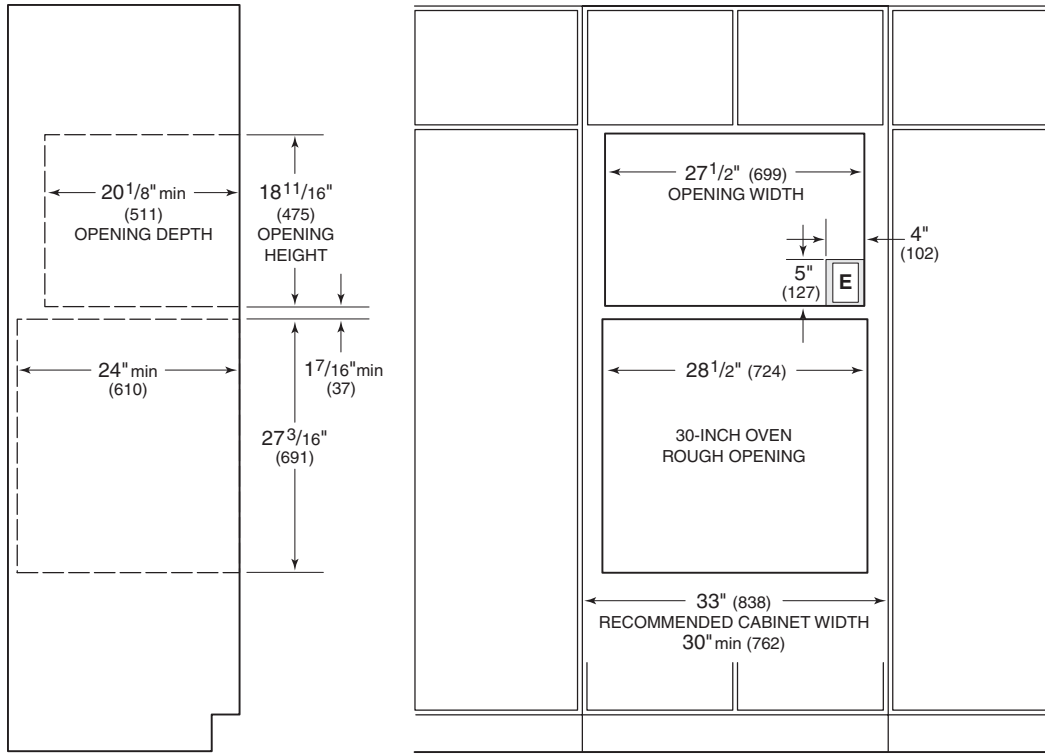
Recommended Cabinet Width	33" (838)
Minimum Cabinet Width	30" (762)
Rough Opening Width	27 1/2" (699)
Rough Opening Height	18 11/16" (475)
Rough Opening Depth (minimum)	20 1/8" (511)

See Installation Instructions shipped with trim kit for detailed specifications.

Dimensions in parentheses are in millimeters unless otherwise specified.

Convection Microwave Oven
MODEL MWC24

INSTALLATION WITH 30" (762) E SERIES TRIM



DIMENSIONS

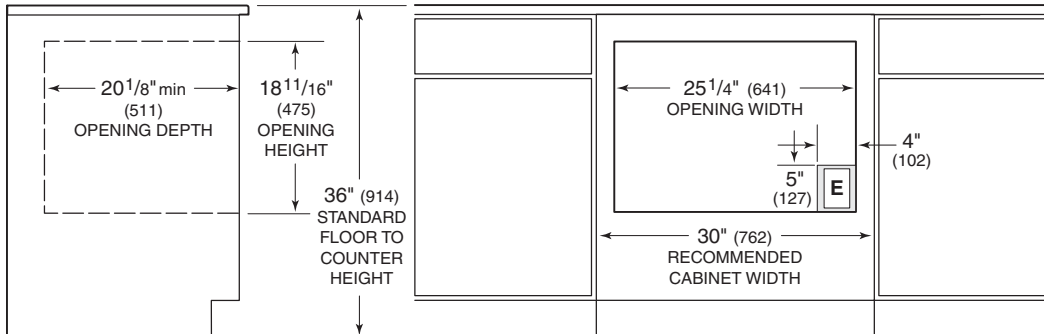
Recommended Cabinet Width	33" (838)
Minimum Cabinet Width	30" (762)
Rough Opening Width	27 1/2" (699)
Rough Opening Height	18 11/16" (475)
Rough Opening Depth (minimum)	20 1/8" (511)

See Installation Instructions shipped with trim kit for detailed specifications.

Dimensions in parentheses are in millimeters unless otherwise specified.

Convection Microwave Oven
MODEL MWC24

INSTALLATION WITH 27" (686) E SERIES TRIM

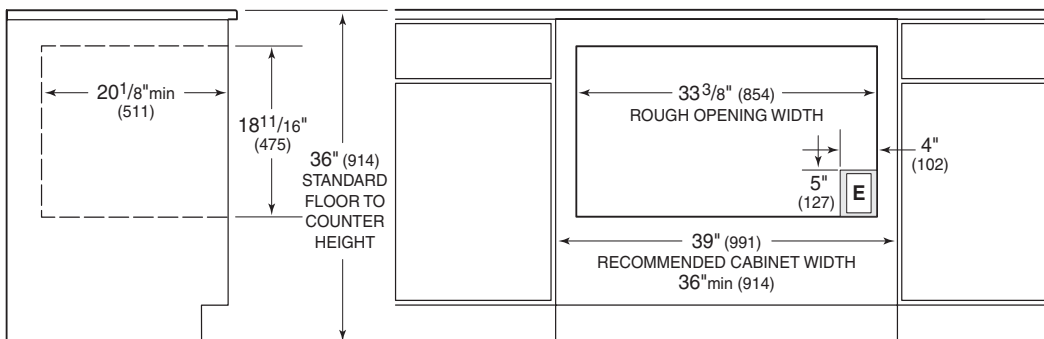


DIMENSIONS

Recommended Cabinet Width	30" (762)
Rough Opening Width	25 1/4" (641)
Rough Opening Height	18 11/16" (475)
Rough Opening Depth (minimum)	20 1/8" (511)

See Installation Instructions shipped with trim kit for detailed specifications.

INSTALLATION WITH 36" (914) L SERIES TRIM



DIMENSIONS

Recommended Cabinet Width	39" (991)
Minimum Cabinet Width	36" (914)
Rough Opening Width	33 3/8" (854)
Rough Opening Height	18 11/16" (475)
Rough Opening Depth (minimum)	20 1/8" (511)

See Installation Instructions shipped with trim kit for detailed specifications.

Dimensions in parentheses are in millimeters unless otherwise specified.

Convection Microwave Oven MODEL MWC24

INSTALLATION NOTES

- ▶ Refer to the illustrations and specifications for overall dimensions, finished rough opening dimensions and installation specifics.
- ▶ The Wolf convection microwave oven can be used freestanding or with an optional trim kit. 30" (762) and 36" (914) L Series trim kits and 27" (686) and 30" (762) E Series trim kits are available. These trim kits match Wolf L Series and E Series built-in ovens. With a trim kit the microwave can be built-in in combination with an L Series or E Series single oven of corresponding style and width.

IMPORTANT NOTE: While the look of the 30" (762) L Series and E Series microwave trim kits will differ, the rough opening dimensions are the same.

IMPORTANT NOTE: In all instances where the microwave oven is built in, you must use one of the trim kits to ensure proper ventilation.

- ▶ The Wolf convection microwave oven with trim kit will overlap stiles and rails. Trim overlaps for the 30" (762) L Series and E Series trim kits are $1\frac{3}{16}$ " (21) on the bottom, $\frac{5}{16}$ " (8) on the top and $1\frac{3}{16}$ " (30) on each side. Trim overlaps for the 27" (686) E Series trim kit are $1\frac{3}{16}$ " (21) on the top and bottom, and $\frac{5}{8}$ " (16) on each side.
- ▶ The base platform for the microwave oven must be able to support 125 lbs (57 kg).
- ▶ At installation, wood cleats (not included) must be added to the microwave opening for the trim.

- ▶ Refer to the installation instructions provided with the microwave trim kit for detailed specifications. These instructions can also be found on the Wolf website at wolfappliance.com.

- ▶ When using the convection microwave oven as a freestanding unit, allow 2" (51) of airflow space on top, rear and both sides. A minimum $20\frac{1}{8}$ " (511) cabinet depth is required.

- ▶ The Wolf convection microwave oven requires a separate, grounded 110/120 V AC, 60 Hz power supply. The service should have its own 15 amp circuit breaker and a grounded 3-prong receptacle should be located within the reach of the 3 $\frac{1}{2}$ ' (1.1 m) power cord. Locate electrical within the shaded area shown in the illustrations on pages 4-6.

IMPORTANT NOTE: A ground fault circuit interrupter (GFCI) is not recommended and may cause interruption of operation.

- ▶ You must follow all National Electrical Code regulations. In addition, be aware of local codes and ordinances when installing your service.
- ▶ The Wolf convection microwave oven with trim may be installed in combination with a built-in single oven and warming drawer. Be sure that the trim matches the series of oven and warming drawer front you are using in your design. Refer to pages 8-10 for specifications.
- ▶ Refer to the installation instructions shipped with each Wolf product for detailed specifications.

Convection Microwave Oven
MODEL MWC24

COMBINATION INSTALLATION

The Wolf convection microwave oven with 30" (762) L Series trim kit may be installed in combination with a 30" (762) L Series single oven and warming drawer with L Series stainless steel drawer front. Refer to the illustration below for specifications.

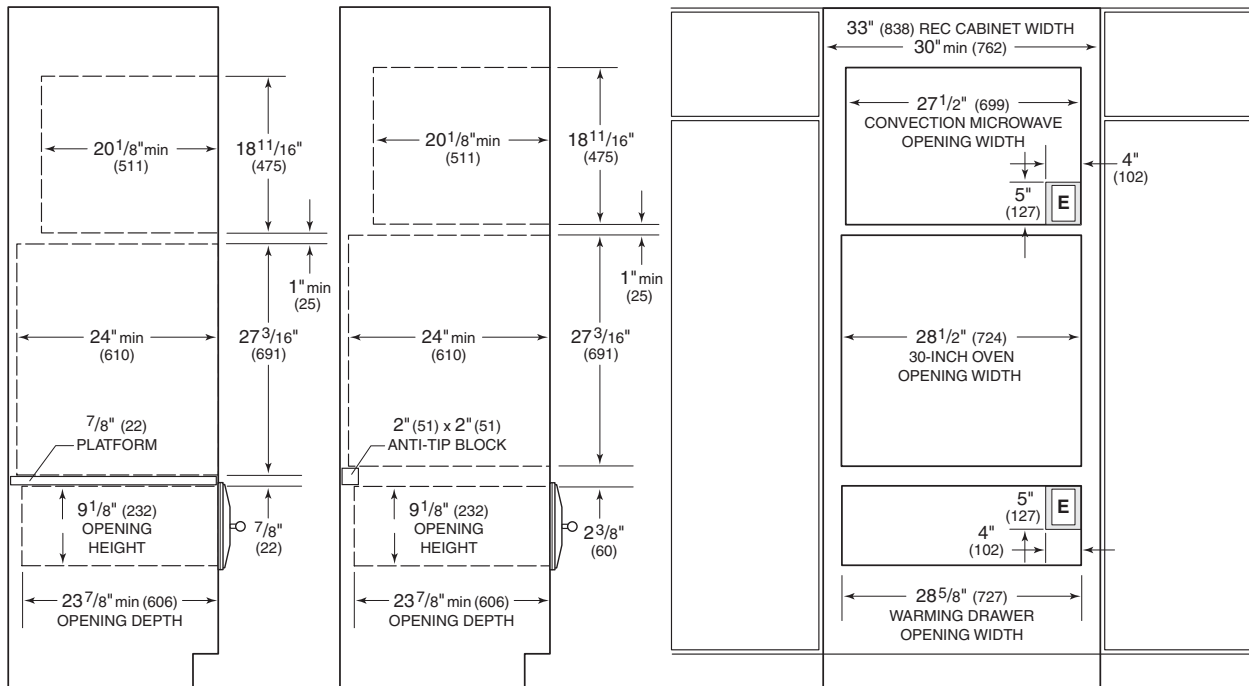
Wolf recommends using a 33" (838) wide cabinet for this installation. Also, you need a minimum 24" (610) of usable cabinet depth for the oven.

IMPORTANT NOTE: Unless you are using cabinets deeper than 24" (610), it is recommended that the electrical supply for the built-in oven be placed in an adjacent cabinet within reach of the conduit.

The base platform for the microwave oven must be able to support 125 lbs (57 kg), the platform for the oven must be able to support 250 lbs (113 kg) and the warming drawer platform must be able to support 200 lbs (91 kg).

An anti-tip block or platform must be installed to prevent the warming drawer from tipping forward when the drawer is opened. The warming drawer must be fully enclosed, top and bottom.

For electrical requirements and additional specifications, refer to the built-in ovens and warming drawer sections of our website, wolfappliance.com. Also refer to the installation instructions provided with the microwave trim kit and warming drawer front for detailed specifications.



PLATFORM APPLICATION

ANTI-TIP BLOCK APPLICATION

NOTE: Refer to the 30" (762) built-in single oven specifications for electrical location.

Specifications for a convection microwave with 30" (762) L Series trim installed with a 30" (762) L Series single oven and warming drawer with L Series stainless steel drawer front.

Dimensions in parentheses are in millimeters unless otherwise specified.

Convection Microwave Oven
MODEL MWC24

COMBINATION INSTALLATION

The Wolf convection microwave oven with 30" (762) E Series trim kit may be installed in combination with a 30" (762) E Series single oven and warming drawer with E Series stainless steel drawer front. Refer to the illustration below for specifications.

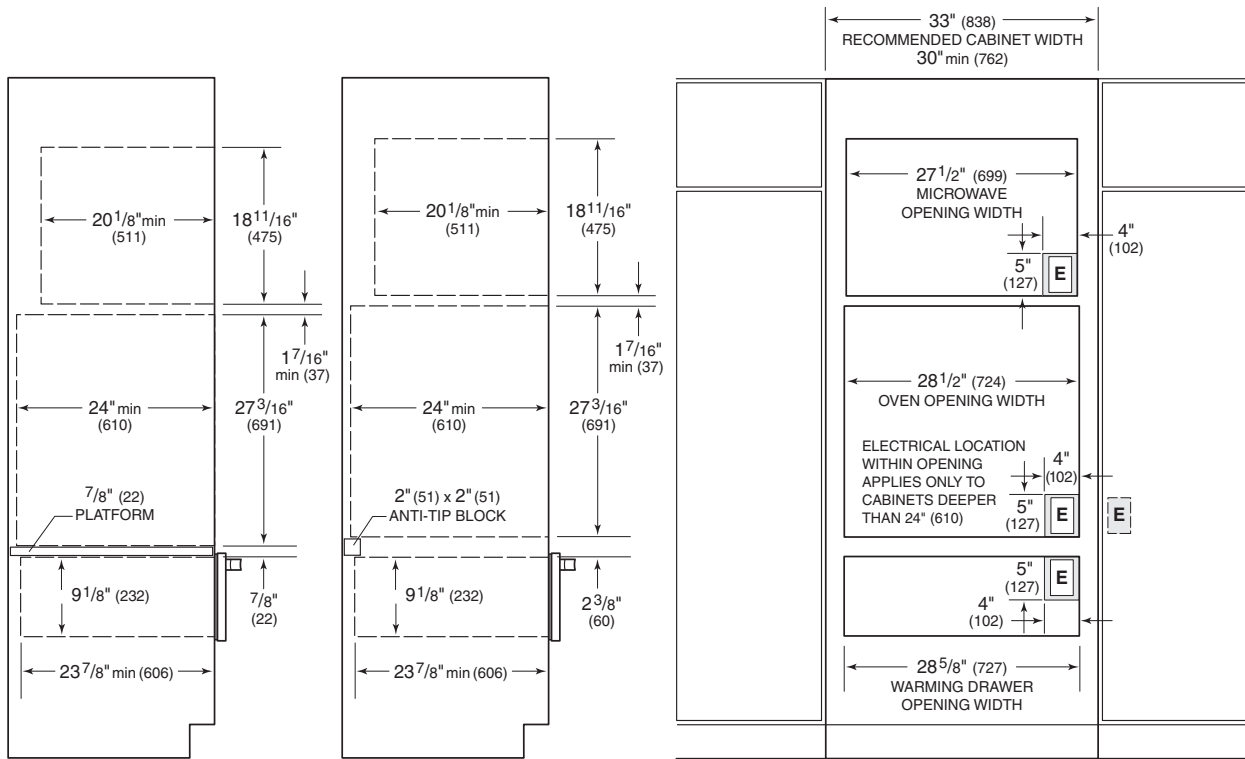
Wolf recommends using a 33" (838) wide cabinet for this installation. Also, you need a minimum 24" (610) of usable cabinet depth for the oven.

IMPORTANT NOTE: Unless you are using cabinets deeper than 24" (610), it is recommended that the electrical supply for the built-in oven be placed in an adjacent cabinet within reach of the conduit.

The base platform for the microwave oven must be able to support 125 lbs (57 kg), the platform for the oven must be able to support 250 lbs (113 kg) and the warming drawer platform must be able to support 200 lbs (91 kg).

An anti-tip block or platform must be installed to prevent the warming drawer from tipping forward when the drawer is opened. The warming drawer must be fully enclosed, top and bottom.

For electrical requirements and additional specifications, refer to the built-in ovens and warming drawer sections of our website, wolfappliance.com. Also refer to the installation instructions provided with the microwave trim kit and warming drawer front for detailed specifications.



PLATFORM APPLICATION

ANTI-TIP BLOCK APPLICATION

NOTE: Unless you are using cabinets deeper than 24" (610), it is recommended that the electrical supply for the oven be placed in an adjacent cabinet within reach of the conduit.

Specifications for a convection microwave with 30" (762) E Series trim installed with a 30" (762) E Series single oven and warming drawer with E Series stainless steel drawer front.

Dimensions in parentheses are in millimeters unless otherwise specified.

Convection Microwave Oven
MODEL MWC24

COMBINATION INSTALLATION

The Wolf convection microwave oven with 36" (914) L Series trim kit may be installed in combination with a 36" (914) L Series single oven and warming drawer with integrated drawer front. Refer to the illustration below for specifications.

IMPORTANT NOTE: Keep in mind that the width of the custom panel for the warming drawer with integrated drawer front will vary according to the specific installation.

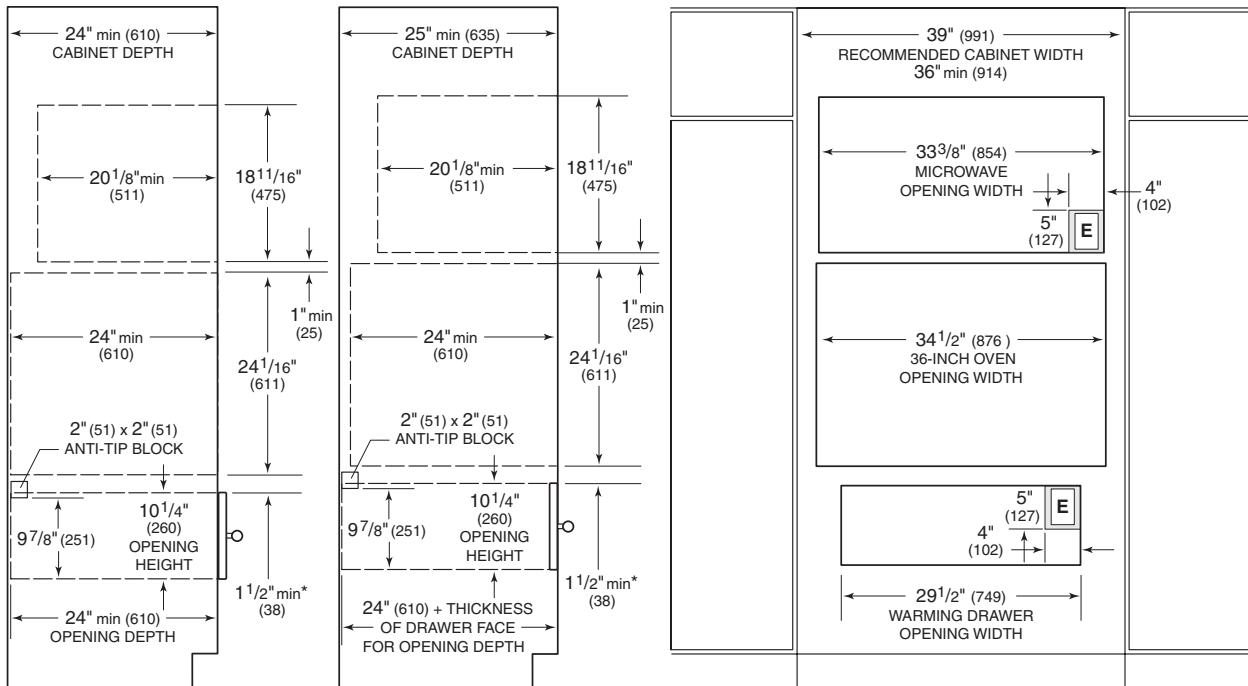
Wolf recommends using a 39" (991) wide cabinet for this installation. Also, you need a minimum 24" (610) of usable cabinet depth for the oven.

IMPORTANT NOTE: Unless you are using cabinets deeper than 24" (610), it is recommended that the electrical supply for the built-in oven be placed in an adjacent cabinet within reach of the conduit.

The base platform for the microwave oven must be able to support 125 lbs (57 kg), the platform for the oven must be able to support 250 lbs (113 kg) and the warming drawer platform must be able to support 200 lbs (91 kg).

An anti-tip block or platform must be installed to prevent the warming drawer from tipping forward when the drawer is opened. The warming drawer must be fully enclosed, top and bottom.

For electrical requirements and additional specifications, refer to the built-in ovens and warming drawer sections of our website, wolfappliance.com. Also refer to the installation instructions provided with the microwave trim kit and warming drawer front for detailed specifications.



OVERLAY APPLICATION

FLUSH INSET APPLICATION

NOTE: Refer to the 36" (914) built-in single oven specifications for electrical location.

*Dimension may increase depending on the size of the drawer front panel.

The width of the custom panel for the warming drawer with integrated drawer front will vary according to the specific installation, but the rough opening width will remain 29 1/2" (749).

Specifications for a convection microwave with 36" (914) L Series trim installed with a 36" (914) L Series single oven and warming drawer with integrated drawer front.

Dimensions in parentheses are in millimeters unless otherwise specified.