



Table of Contents

- Safety information.....**
- Contents.....**
 - Package contents
 - Features
 - Main unit.....
- Getting Started.....**
 - Pairing a Bluetooth Device.....
 - Playing Audio Wirelessly
 - Playing Other Audio Devices (AUX In)
 - Powered
- LED indicator**
 - Charging Indicator Light
 - Pairing Indicator Lights
- Specifications.....**

Important Safety Instructions

1. Read these instructions.
2. Keep these instructions.
3. Heed all warnings.
4. Follow all instructions.
5. Do not use this apparatus near water.
6. Clean only with a dry cloth.
7. Do not block any ventilation openings. Install in accordance with the manufacturer's instructions.
8. Do not install near any heat sources such as radiators, heat registers, stoves or other apparatus (including amplifiers) that produce heat.
9. Do not defeat the safety purpose of the polarized or grounding-type plug. A polarized plug has two blades with one wider than the other. A grounding-type plug has two blades and a third grounding prong. The wide blade or the third prong is provided for your safety. If the provided plug does not fit into your outlet, consult an electrician for replacement of the obsolete outlet.
10. Protect the power cord from being walked on or pinched, particularly at plugs, convenience receptacles and the point where they exit from the apparatus.
11. Only use attachments/accessories specified by the manufacturer.
12. Use only with the cart, stand, tripod, bracket or table specified by the manufacturer or sold with the apparatus. When a cart is used, use caution when moving the cart/apparatus combination to avoid injury from tip-over.
13. Unplug this apparatus during lightning storms or when unused for long periods of time.
14. Refer all servicing to qualified service personnel. Servicing is required when the apparatus has been damaged in any way, such as power supply cord or plug is damaged, liquid has been spilled or objects have fallen into the apparatus, the apparatus has been exposed to rain or moisture, does not operate normally, or has been dropped.
15. Do not expose this apparatus to dripping or splashing and ensure that no objects filled with liquids, such as vases, are placed on the apparatus.
16. To completely disconnect this apparatus from the AC Mains, disconnect the power supply cord plug from the AC receptacle.
17. The mains plug of the power supply cord shall remain readily operable.
18. Do not expose batteries to excessive heat such as sunshine, fire or the like.

Warnings and Precautions

- **WARNING:** To prevent fire or shock hazards, do not expose this unit to rain or moisture.
- **WARNING:** Do not place the unit on top of any soft, porous, or sensitive surfaces to avoid damaging the surface. Use a protective barrier between the unit and surface to protect the surface.
- **WARNING :** Where the mains plug or appliance coupler is used as the disconnect device, such disconnect device shall remain readily operable.
- **Note :** This device uses an internal rechargeable lithium-ion battery that should last the lifetime of the device. If you suspect your battery may be dead after several attempts to charge, please contact [COBY](#) for support.
- Never disassemble the unit or attempt to remove the battery as that could cause leakage of an electrolytic substance.

FCC Warnings

WARNING: Changes or modifications to this unit not expressly approved by the party responsible for compliance could void the user's authority to operate the equipment.

NOTE: This equipment has been tested and found to comply with the limits for a Class B digital device, pursuant to Part 15 of the FCC Rules. These limits are designed to provide reasonable protection against harmful interference in a residential installation. This equipment generates, uses, and can radiate radio frequency energy and, if not installed and used in accordance with the instructions, may cause harmful interference to radio communications. However, there is no guarantee that interference will not occur in a particular installation. If this equipment does cause harmful interference to radio or television reception, which can be determined by turning the equipment off and on, the user is encouraged to try to correct the interference by one or more of the following measures:

- Reorient or relocate the receiving antenna.
- Increase the separation between the equipment and receiver.
- Connect the equipment into an outlet on a circuit different from that to which the receiver is connected.
- Consult the dealer or an experienced radio/TV technician for help.

This device complies with Part 15 of the FCC Rules. Operation is subject to the following two conditions: (1) this device may not cause harmful interference, and (2) this device must accept any interference received, including interference that may cause undesired operation.



The Bluetooth word mark and logos are owned by the Bluetooth SIG, Inc. and any use of such marks is under license.

Contents.

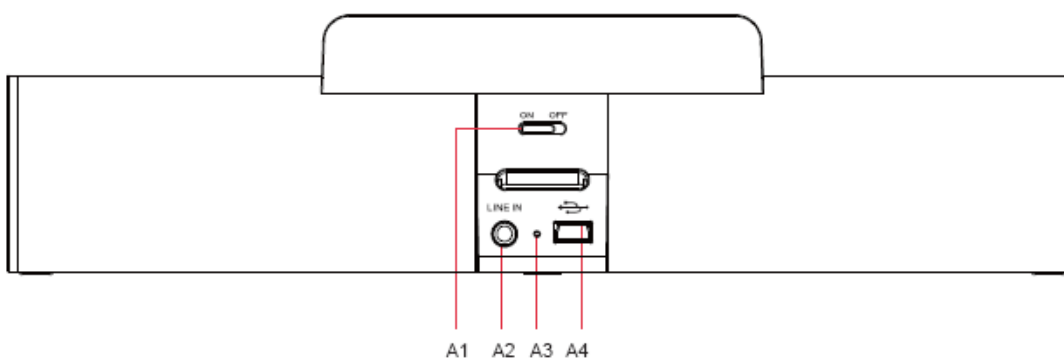
Package contents

- CSMP135 Blue tooth speaker unit
- Mini USB to USB charging cable
- 3.5mm audio cable

Features

- Built-in Bluetooth speaker
- 3.5mm audio input
- DC battery power: built-in rechargeable lithium ion
- Battery life: ~4 hours
- Wireless range: 33 feet
- Supports Bluetooth v2.1 and Enhanced Data Rate
- Can be paired up to 8 mobile or audio players

Main unit



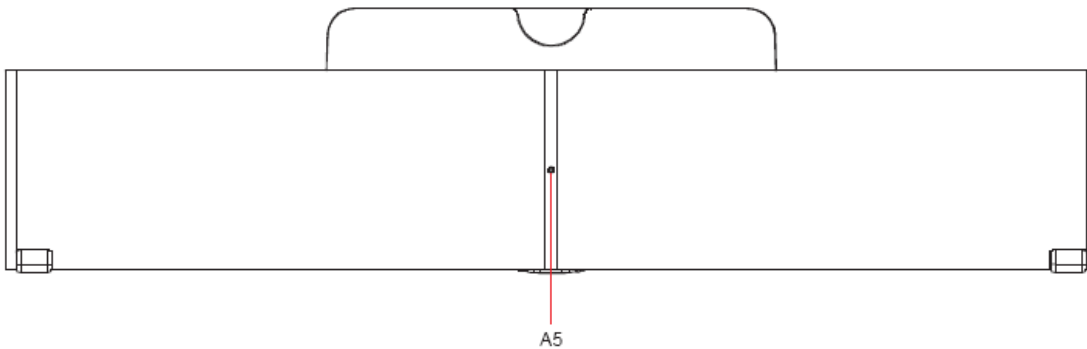
Introduction

A1: On-Off

A2:Line In

A3: Charging Indicator

A4:USB port



A5: Pairing Indicator

Pairing a Bluetooth Device

- 1. Turn on the unit and press the Pair button. The Pairing Indicator will flash blue quickly.**

When pairing, remain within 3 feet of the unit.

- 2. Using the native controls on your Bluetooth device, select the “CSMP135” in your Bluetooth settings to pair.**

If your device requests a password, enter the default password “0000”. Refer to the user’s manual for your specific device for instructions on pairing and connecting Bluetooth devices.

- 3. When successfully paired and connected, the Pairing Indicator will display a solid blue light and a beep will sound from the unit.**

After initial pairing, the unit will stay paired unless unpaired manually by the user or erased due to a reset of the device.

Playing Audio Wirelessly

1. Follow the instructions for Pairing a Bluetooth Device.
2. Use the native controls on the connected Bluetooth device to select a track.
3. To play the selected track, use the native controls on the connected Bluetooth device to play/pause or skip.
4. Audio played through the connected Bluetooth device will now be heard through the speakers.
5. Use the native controls on the connected Bluetooth device to adjust the volume.
6. Put Bluetooth device on speaker docking slot, the slot can be supported the device thickness which under 12.5mm.

Using the 3.5mm Audio Input

1. Plug one end of a 3.5 mm audio input cable into the **3.5 mm Audio Input** on the unit.
2. Plug the other end of the cable into the audio output/headphone output on an MP3 Player or other audio source.
3. Turn the unit on.
4. Audio played through the connected device will now be heard through the speakers.

Note: Any audio being played through a connected Bluetooth Device will cease once the 3.5mm Audio source is connected.

Power



Requires a Mini USB to USB cable (included).

Note: PC must not be in sleep mode.

Initial charge time 2-3 hours using the AC adapter. Please make sure the unit is fully charged before use.

LED indicator

Charging Indicator Light

Status	Indicator
Power Off	No light
Charging	Red light
Fully Charged	Red light off
Low battery	Auto power off

Pairing Indicator Lights

Status	Pairing Indicator
Power Off	No light
Ready to Pair	Quickly flashing blue light
Bluetooth Connected	Slowly flashing blue light
Line In Mode	Red light

Specification

Frequency Response 120Hz-20KHz

Impedance 4Ω

Aux Input 3.5mm

Output Power 1.3 x 2 (RMS)

Li-battery 3.7V 900mA

Unit Dimensions (L*W*H) 243 x 105 x 58 mm

Troubleshooting & Support

If you have a problem with this device, please read the troubleshooting guide below and check our website at www.cobyusa.com for Frequently Asked Questions (FAQs) and firmware updates. If these resources do not resolve the problem, please contact Technical Support.

Address

COBY Electronics Corporation
Technical Support
150 Knowlton Way
Savannah, GA 31407

Email

techsupport@cobyusa.com

Web

www.cobyusa.com

Phone

800-727-3592:

Weekdays: 8:30AM-9:00PM EST

Saturdays: 9:00AM-5:30PM EST

I cannot turn the unit on.

* Ensure that the Li-battery of speaker unit is fully charged thru a USB cable connect to an AC power or PC(PC must not be in sleep mode).

There is no sound during AUX In playback.

- * If an Bluetooth devise is connected to the speaker, disconnect it.
- * Ensure that the headphone jack of the audio device is connected securely to the AUX In jack on the back of the speaker unit.
- * Increase the volume level of the audio device; then increase the volume level of the speaker unit.

The sound is distorted.

Ensure that all connections are secure.

- * Try reducing the volume level.
- * If your device supports it, try reducing the bass level.