

Wireless Speaker System



Model No: DS-955
Instruction Manual

User Guide

Congratulations on the purchase of your new wireless speaker system. To get the most from your speaker system, please take a few minutes to read the following instructions and familiarize yourself with the operation of the unit. Before setting up the unit, check that the following items are included within the box:

1. Wireless Speaker System
2. AC Power Adaptor
3. 3.5mm Audio Cable for Aux Input
4. (5) iPod docking adapters (iPod touch 1st generation, iPod touch 2nd generation, iPod nano 3rd generation (video), iPod nano 4th generation, iPod classic)

Unpacking and Installation

Unpack your unit carefully. We recommend that you save the box and packing materials, in case you wish to store the unit, or if you ever need to return it for service. To avoid damage to the unit, never place it near heat sources such as radiators, in front of heating vents or in direct sunlight. Keep it away from water.

For Your Safety

When disconnecting the DC power cord from a socket, pull the plug out. Never try to remove the plug from the socket by pulling the cord. Never handle the DC power plug with wet hands - this can cause electric shock.

Care and Maintenance for the Unit

- When cleaning the unit, you should first unplug it from the power supply.
- Use only a dry lint free cloth to wipe the unit.
- Never allow water or any other liquids to get inside the unit while cleaning.
- Unplug the unit if you are not using it for an extended period of time.

Note: We suggest you wipe the Charging Cradle and speakers periodically to ensure good contact between the cradle and speaker contacts.

WARNING:

- Servicing should be carried out by qualified personnel only.
- To reduce the risk of fire or electric shock, do not expose this appliance to rain or moisture.
- Dangerous high voltages are present inside the unit; do not try to open it.
- To prevent risk of fire or electric shock, do not leave any objects filled with liquids, near the product, such as vases.
- Never put lighted candles near the unit.
- The batteries are not user replaceable. If the batteries become weak within 10 minutes of them being fully charged take the unit to a service center to have a qualified technician replace them.

CAUTION:

If the plug or the power supply cord needs to be replaced, ensure that the replacement complies with the manufacturer's recommendations and specifications.

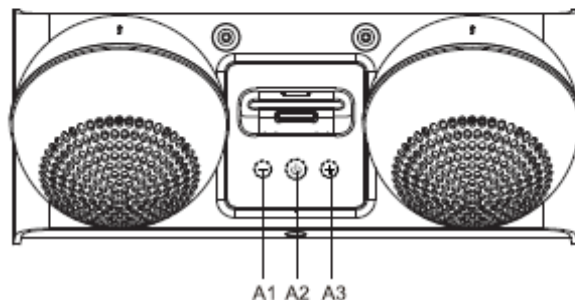
If the Unit Requires Servicing

Do not attempt to repair the unit yourself.
All repairs should be done by a qualified service technician.

To avoid risk of electric shock, ensure that the plug is fully inserted into the wall socket. Power supply source: AC 100~240V/50Hz~60 Hz.

A. Recharging Cradle (top view)

- A1. VOL-
- A2. POWER
- A3. VOL+



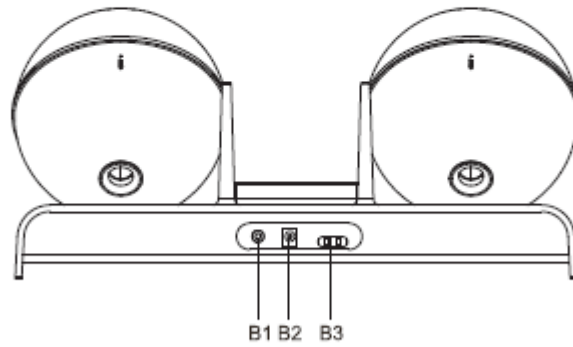
B. Recharging Cradle (rear view)

B1. AUX

B2. DC IN

B3. CH1、CH2、CH3

Channel Frequencies: CH1: 915 MHz, CH2: 914.5 MHz, CH3: 914 MHz

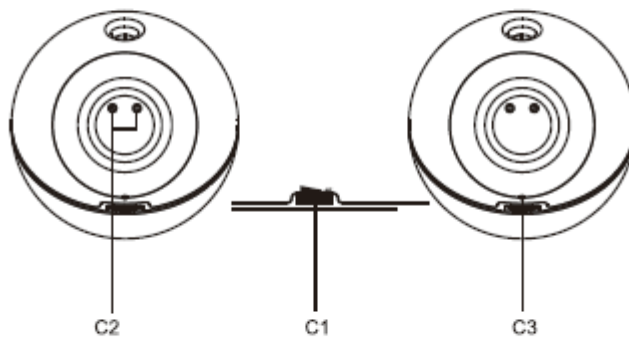


C. Speaker unit

C1. Power and Vol-/+

C2. Charging pin

C3. Charger LED indicator

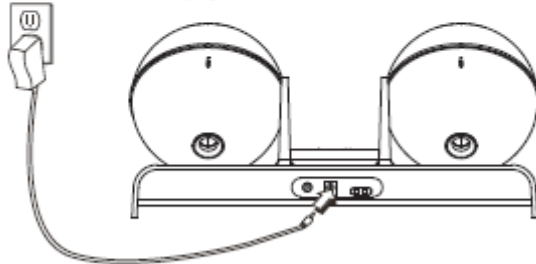


Ready for use:

The sound comes from two speakers which have a rechargeable lithium battery built-in with an individual amplifier (once it is placed on the base/recharging cradle). The wireless function will automatically be activated as soon as the speakers are removed from the base station. You can then enjoy the music from every room in your home.

To Play iPod

1. Plug the AC adaptor into the DC in port at the rear of the recharging cradle, then into a power supply. (100-240V/50Hz-60Hz AC electrical outlet).

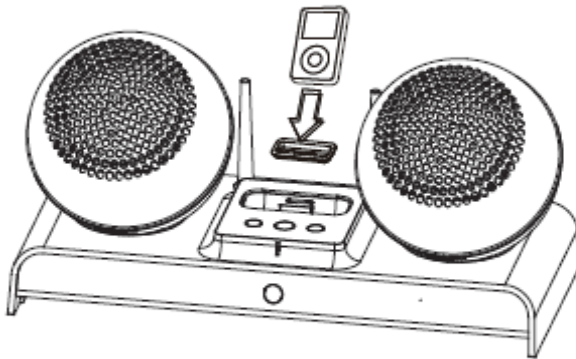


Note:

The rechargeable lithium battery is built in. Before use we recommend charging the unit for 4 hours. Once the Recharging Cradle is plugged in, it will automatically charge the speakers when they are placed on the cradle. While charging the LED indicator is red and will turn green when fully charged. Once the speakers are fully charged it is safe to remove them from the recharging cradle.

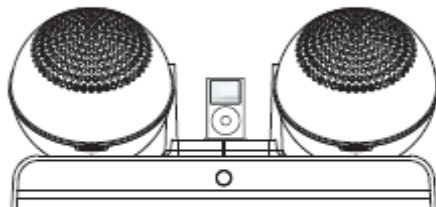
To Play iPod

2. Select a proper docking adaptor (included when you purchased your own iPod) and place it into the recharging cradle, then dock your iPod gently.



To Play iPod

3. Press the power button on the recharging cradle to turn the unit on. Switch on the speakers to play your iPod. Choose the best channel through the "channel" button at the rear of the recharging cradle until the speakers receive the right signal.



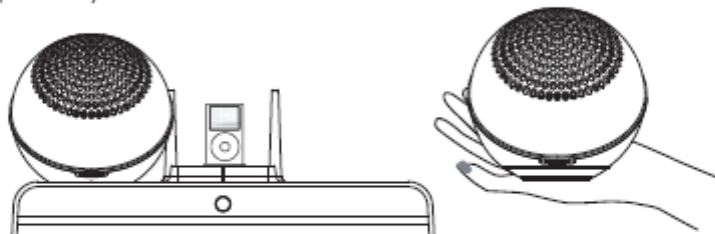
Note:

If the unit experiences any interference (signal loss or distortion) while it is playing, select another channel (there are 3 channels to choose from) to obtain the best reception.

Sometimes the speaker will give off noise after the power is turned on. This is normal as the unit is searching for the wireless connection. The noise should stop after the connection is paired. In order to avoid interference, do not turn on other wireless devices simultaneously.

To Play iPod

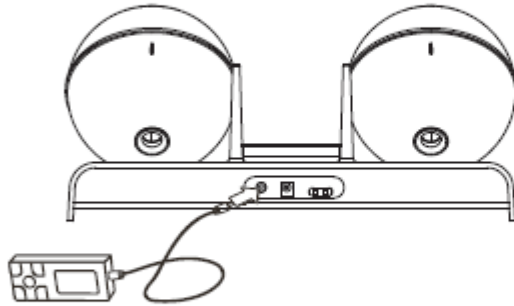
4. Use "Vol +" or "Vol -" to adjust to a proper volume level. You should now be able to freely move the speakers from room to room. (subject to surroundings this speaker covers an area up to 30m in an open area)



Note: To preserve battery power, this unit will automatically go into standby mode after 3 minutes. It will function within 10 seconds when the power switches back to the "ON" mode.

To Play Auxiliary Audio Sources

Connect one end of the 3.5mm audio cable to the audio output port of an auxiliary audio device (MP3, MPEG4, PC, CD player, etc) and connect the other end of the cable to the Aux input port at the rear of the base station.



Note: Aux out will not work when an iPod is connected.

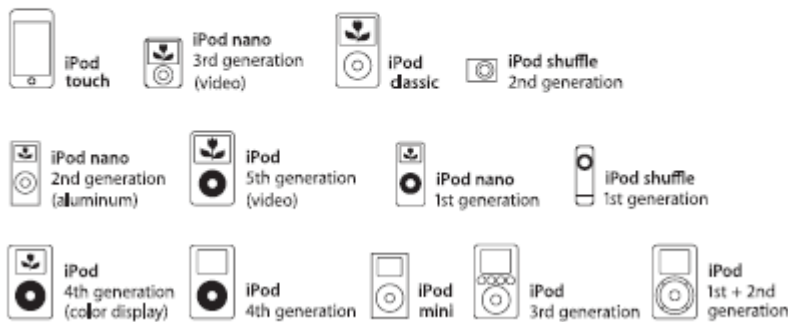
Remote Control

- Power Power on/off
- Menu To go back to menu function
- Enter To go to function you choose
- ▲ Menu up set
- ▼ Menu down set
- ⏮ Play from the beginning of the current/previous track
- ⏭ Play from the beginning of the next track
- ⏸ Play/pause
- 🔊 Increase the volume
- 🔊 Decrease the volume



Compatible with

Note: iPod shuffle is compatible with a 3.5mm audio cable (included).



Product Specifications:

- Each speaker has its own separate amplifier and receiving system
- Compatible with iPod, as well as being compatible with other MP3 players
- AC adaptor and 3.5mm audio cable included

Built-in Rechargeable Batteries:	lithium (approx. 3 hours on a full charge at max. volume and 3-4 hours at mid. volume)
ChargeTime:	4 hours for first use, 3 hours on full charge
Power Supply Source:	AC 100 ~ 240V/50Hz - 60Hz
(2) Full Range Speakers:	2.75"
Wireless Working Distance:	up to 30m (98 feet) in an open area without interference
Output Power:	2.2W x 2 (2.2W per speaker)
Frequency Response:	200Hz - 20kHz
Mobile Phone:	3.5mm Aux input jack

Industry Canada Statement

This device complies with RSS-210 of Industry Canada. Operation is subject to the following two conditions: 1) this device may not cause interference, and 2) this device must accept any interference, including interference that may cause undesired operation of the device.

This device complies with Part 15 of the FCC Rules. Operation is subject to the following two conditions: (1) this device may not cause harmful interference, and (2) this device must accept any interference received, including interference that may cause undesired operation.

FCC NOTE:

THE MANUFACTURER IS NOT RESPONSIBLE FOR ANY RADIO OR TV INTERFERENCE CAUSED BY UNAUTHORIZED MODIFICATIONS TO THIS EQUIPMENT. SUCH MODIFICATIONS COULD VOID THE USER'S AUTHORITY TO OPERATE THE EQUIPMENT.