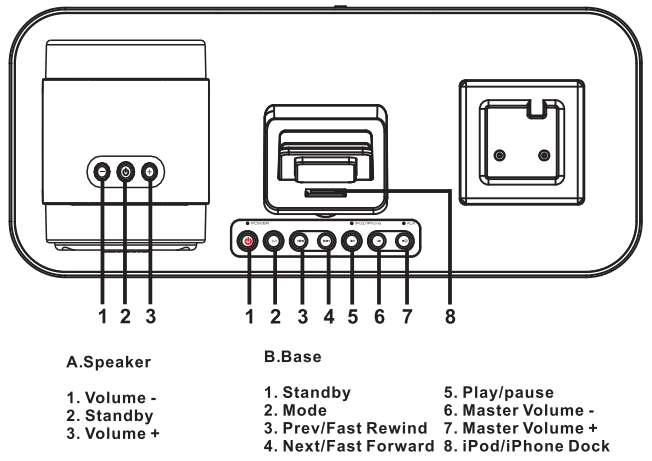
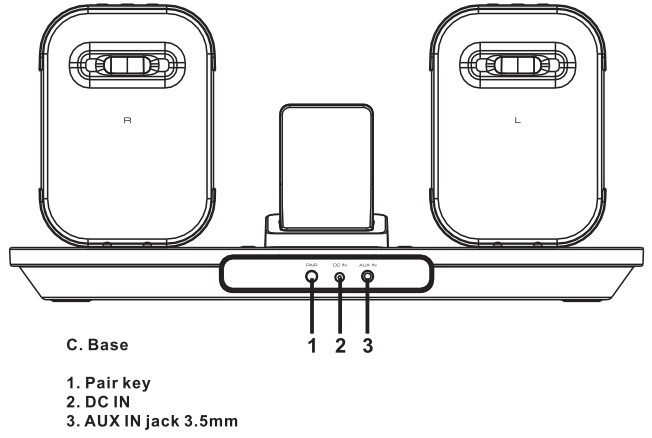


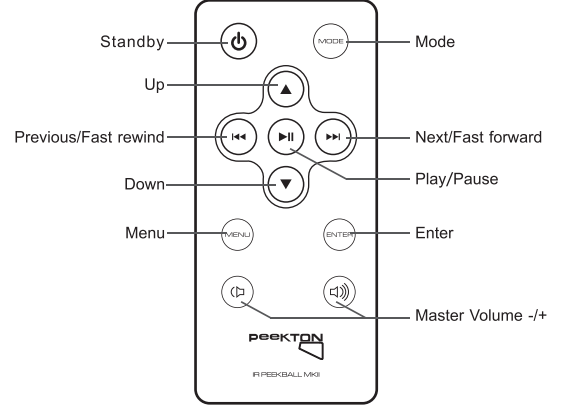
Top View



Rear View

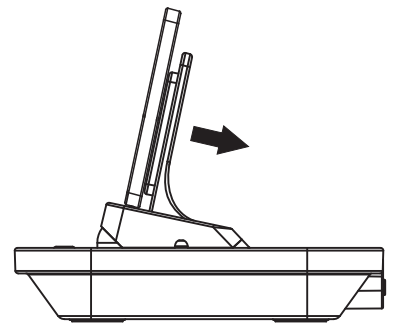


Remote control



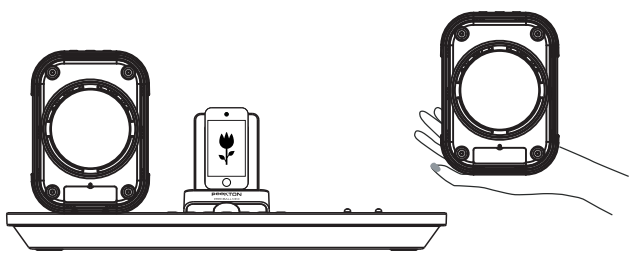
iPod/iPhone Dock

Move the vertical holder backward to make dock compatible with different iPod/iPhone products.



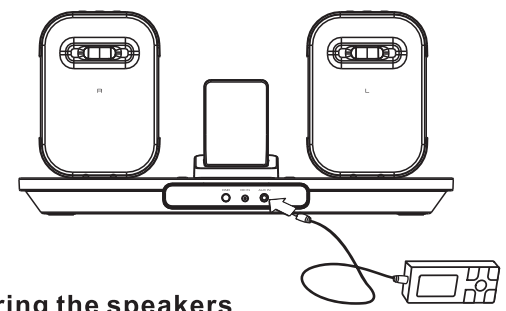
Play with iPod/iPhone

1. Plug the AC adapter into the DC port of the base to connect to the power supply from the electrical outlet.
2. Once the adapter plugged, the speakers will be automatically charged if they are placed on the base. While charging, the LED indicator is red and turn to green when the speakers are fully charged. As the first time use, we recommend fully charge the unit for 3 hours.
3. Place your iPod/iPhone device into the dock, then switch on the base and the speakers to listen to your favorite songs from your iPod/iPhone.
4. Use "◀ ▶" or "◀ ▶" to adjust master volume level. You can move the speakers up to a distance of 30 meters in open space and without interference.



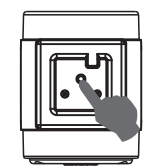
Play with Auxiliary Audio Sources

Press MODE key to switch to AUX mode, then connect an auxiliary device (MP3, MP4, computer, CD player, etc) to the AUX IN socket of the dock station with the 3.5mm audio cable.

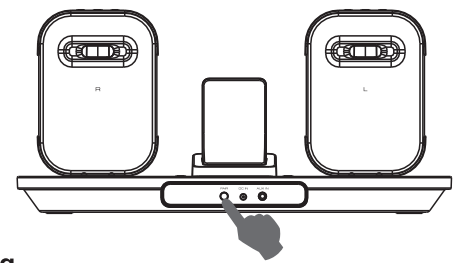


Pairing the speakers

1. Turn on the base and the speakers.
2. Press the Pair key placed under the speakers more than 5 seconds until you hear a discontinuous bip sound.
3. Long press the Pair key on the base for more than 5 seconds until you hear a continuous sound. The system is paired successfully. You have may be to adjust the volume level to hear the music.



Bottom side of the speakers



Trouble shooting

1. In an open area without interference, the wireless working distance of the speaker is up to 30 meters, but it could be less depends of your environment.
 2. If you find something wrong or can not hear the sound from the speakers, check the following points:
 - The AC adapter must be correctly plugged into the power supply.
 - The base must be switch on.
 - The speakers must be switch on.
 - Your iPod/iPhone must be in playback mode.
 - Adjust the master volume and the volume of the speakers.
- Re-pair the speakers and the base.
Remark: The charging base has transmitter function which with 2.4G wireless module inside to transmit signal to other wireless products

Technical Specification

iPod, iPod nano, iPhone, iTouch compatible / All MP3 and MP4 players compatible.

Charge Time	3 hours for first use
Power Supply Source	AC 100~240V/50Hz-60Hz
2pcs of Full Range Speaker	3.5 inches
Wireless Working Distance	up to 30 meters
Output Power	15 Watts x2
Frequency Response	200Hz-20KHz
Audio input	AUX IN Jack 3.5mm

This device complies with Part 15 of the FCC Rules.

Operation is subject to the following two conditions: (1) this device may not cause harmful interference, and (2) this device must accept any interference received, including interference that may cause undesired operation.

FCC NOTE:

THE MANUFACTURER IS NOT RESPONSIBLE FOR ANY RADIO OR TV INTERFERENCE CAUSED BY UNAUTHORIZED MODIFICATIONS TO THIS EQUIPMENT. SUCH MODIFICATIONS COULD VOID THE USER'S AUTHORITY TO OPERATE THE EQUIPMENT.