

DS-1573 User Guide

CONGRATUATIONS ON YOUR PURCHASE

Thank you for purchasing DOSS Bluetooth speaker. This product, along with the entire DOSS product lineup, combines high-tech innovation with design to provide you with years of dependability and enjoyment. Please take a few minutes to read through this manual for a quick and easy operation of the new speaker.

Getting Started.

Unpack the unit carefully. Remove all the accessories from the box. Do not remove any labels or stickers on the bottom of the unit. Before setting up the unit, verify that the following accessories are present:

- Bluetooth Speaker x 1
- USB Cabel x 1
- Aux In Cable x 1
- User Manual

Specifications

- Model No.: DS-1573
- Speaker size: 50*50*188mm
- Bluetooth A2DP function
- Rechargeable Li-ion battery included
- Battery capacity: 3.7V 2200mAh
- Battery life: 10Hrs (Volume at 50%)
- Micro USB jack, power by USB cable (USB cable included)
- 3.5mm Aux jack for connection to other MP3, CD, Laptop...
- Output power: 3W X 2 (THD=10%)
- Working distance: within 10m

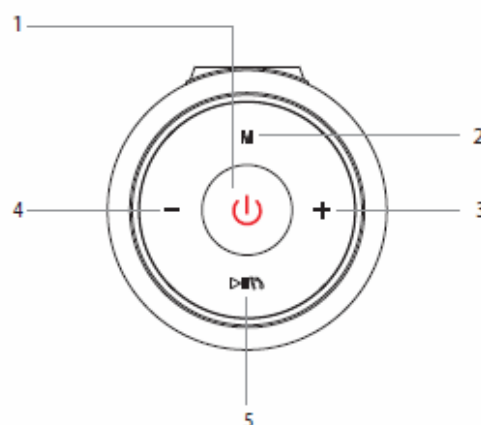
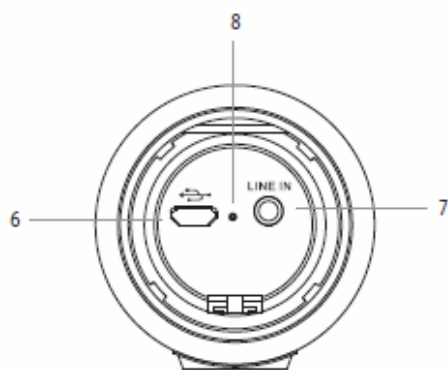
Indicators:

Charging indicator Status :

Red Light	Charging
Green Light	Full charge

Mode indicator Status :

Blue light flash quickly	Bluetooth pairing
Blue light	Bluetooth paired
White light	Aux-in Mode
Green light	FM radio mode



1. Power / Mode Indicator Light
2. Mode
3. Volume Up / Next song :
4. Volume Down / Prev song :
5. Play / Pause / Hand-free
6. Mini USB charging jack
7. Line input
8. Charging indicator

Listening To Your Device Wireless Over Bluetooth

To listen to your music over Bluetooth, You need to pair your device with the DS-1573:

Make sure your device has Bluetooth capability. Press the POWER switch about 3 seconds to turn on the unit, LED indicator will begin to flash.

Follow the instructions of your device to pair the unit. Pair your device with the unit by selecting DS-1573 from your Bluetooth listings on your device or selecting YES.

If your device inquires a password, enter the password '0000' or '1234' .

Press PLAY on your device and use controls on the unit to adjust desired volume.

When you want to turn off the unit , please press the POWER switch about 3 seconds

NOTE: Once you have successfully paired your device, you do not need to repeat the above steps. Please ensure the AUX cable is unplugged, the unit source is set to Bluetooth and your device has been Bluetooth enabled.

Hand-free Function

1. Short press Play / Pause / Hand-free button to answer incoming calls, streaming music will pause ; Long press (3 seconds) to reject incoming calls .
2. Short press Play / Pause / Hand-free button again to end calls, streaming music will resume.

Listening To Your Device Through The Line-in Audio Jack

Press the POWER switch about 3 seconds to turn on the unit.

Connect Aux-in cable to the headphone of an audio device and plug the other end of the cable into the Line-In Audio Jack on the side of the unit.

Press PLAY on the device and use controls on the unit to adjust desired volume.

Listening To FM Radio

Press the POWER switch about 3 seconds to turn on the unit

Press Mode button , mode indicator light become green . the unit enter into FM mode . Long press Play/Pause button the unit will automatic search and store as more as radio station . Long press again to refresh searching and store memory . Short press volume button adjust volume , Long press (3 seconds) volume button choose that you stored radio station .

Trouble shooting

Symptom	Possible problem and Solution
Can not pairsuccessfully	Check whether the speaker is in standby and searching mode. Check whether there are too many Bluetooth receivers around your Bluetooth device. Turn off them to avoid any disturbance. And pair again.
The sound is small or distorted	Check the volume setting on both the speaker and your Bluetooth device and adjust the volume to a suitable level.
Do not play properly, the music is intermittently	Check whether the distance between the speaker and your Bluetooth device is out of its working distance, or whether there are some obstacles block the communication between the speaker and the Bluetooth device.

Maintenance

To Store

You may leave the unit on display, or you can store it in its box in a cool, dry place.

To Clean

Use only a soft dry cloth to clean the enclosure of the unit. NEVER use liquids or abrasive cleaner to clean. Modifications not authorized by the manufacturer may void users authority to operate this device.

Caution

Danger of explosion if battery is incorrectly replaced. Replace only with the same or equivalent type.

The apparatus shall not be exposed to dripping or splashing. A warning that no objects filled with liquids, such as vases, shall be placed on the apparatus.

A warning that batteries (battery pack or batteries installed) shall not be exposed to excessive heat such as sunshine, fire, or the like.

Disposal

Batteries do not belong in household waste. As a consumer, you are required by law to recycle used batteries. You can recycle your old batteries at public collection points or wherever the product was sold. For environmental reasons, do not dispose of the device in the household waste at the end of their service life. Dispose of the unit at a suitable local recycling point.

Warning:

To reduce the risk of electric shock, do not remove cover (or back). Refer servicing to qualified service personnel.

FCC Statement:

This device complies with part 15 of the FCC Rules. Operation is subject to the following two conditions: (1) This device may not cause harmful interference, and (2) this device must accept any interference received, including interference that may cause undesired operation.

This equipment has been tested and found to comply with the limits for a Class B digital device, pursuant to part 15 of the FCC Rules. These limits are designed to provide reasonable protection against harmful interference in a residential installation. This equipment generates, uses and can radiate radio frequency energy and, if not installed and used in accordance with the instructions, may cause harmful interference to radio communications. However, there is no guarantee that interference will not occur in a particular installation. If this equipment does cause harmful interference to radio or television reception, which can be determined by turning the equipment off and on, the user is encouraged to try to correct the interference by one or more of the following measures:

- Reorient or relocate the receiving antenna.
- Increase the separation between the equipment and receiver.
- Connect the equipment into an outlet on a circuit different from that to which the receiver is connected.
- Consult the dealer or an experienced radio/TV technician for help.

Caution: Any changes or modifications not expressly approved by the party responsible for compliance could void the user's authority to operate the equipment.

This equipment complies with FCC radiation exposure limits set forth for an uncontrolled environment.

This transmitter must not be co-located or operating in conjunction with any other antenna or transmitter.