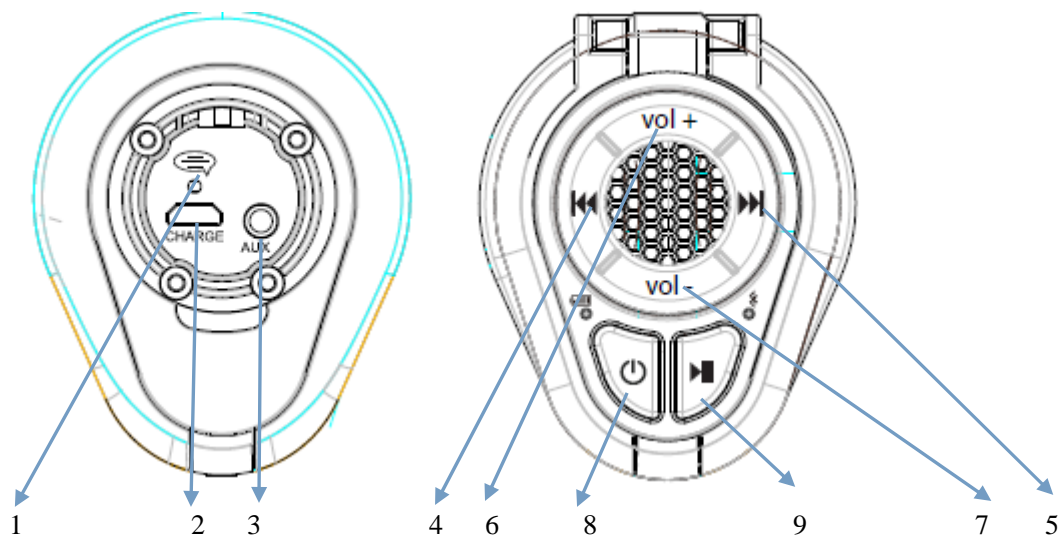


Jam Street

Wireless speaker
HX-P710

Control Your Destiny...or at Least Your Speaker



- 1-----language switching hole
- 2-----charging jack
- 3-----AUX jack
- 4-----track reverse
- 5-----track forward
- 6-----volume+
- 7-----volume-
- 8-----power
- 9-----PLAY/PAUSE button

Bluetooth Connection:It's a Setup

1>Push 8 to turn on the speaker,then you will see the Bluetooth/AUX IN indicator to flash blue fast,

2>To turn on your own device's Bluetooth and search ,after a while,it will occur Jam Touch on your device,pair it and the Bluetooth indicator will turn to flash slowly,

3> Now you can enjoy music on yourself, you can press 6 and 7 to adjust the unit's volume. You can press 4 and 5 to track reverse and track forward, and also you can press the 9 to PLAY/PAUSE the music.

4> Beyond your expectation, this unit has Hands free function, you can short press 9 to answer and end a call. If you don't want to answer it, you can long press 9 to reject it.

5> Or you can play it by inserting the AUX IN cable.

6> This unit has the language switching function, so whatever you come from, you can change the language via the language switching hole.

FCC Statement:

This device complies with part 15 of the FCC Rules. Operation is subject to the following

two conditions: (1) This device may not cause harmful interference, and (2) this device

must accept any interference received, including interference that may cause undesired operation.

This equipment has been tested and found to comply with the limits for a Class B digital

device, pursuant to part 15 of the FCC Rules. These limits are designed to provide reasonable protection against harmful interference in a residential installation.

This

equipment generates, uses and can radiate radio frequency energy and, if not installed

and used in accordance with the instructions, may cause harmful interference to radio communications. However, there is no guarantee that interference will not occur in a

particular installation. If this equipment does cause harmful interference to radio or

television reception, which can be determined by turning the equipment off and on, the

user is encouraged to try to correct the interference by one or more of the following measures:

—Reorient or relocate the receiving antenna.

—Increase the separation between the equipment and receiver.

—Connect the equipment into an outlet on a circuit different from that to which the

receiver is connected.

—Consult the dealer or an experienced radio/TV technician for help.

Caution: Any changes or modifications not expressly approved by the party responsible

for compliance could void the user's authority to operate the equipment.

IC Statement

This device complies with Part 15 of the FCC Rules and with RSS-210 of Industry Canada.

Operation is subject to the following two conditions:

(1) this device may not cause harmful interference, and (2) this device must accept any

interference received, including interference that may cause undesired operation. Changes or modifications to your device not expressly approved by the party responsible for

compliance can void the user's authority to operate the equipment.

Cet appareil est conforme à la RSS-210 du règlement de la IC. Le fonctionnement est sujet aux

deux conditions suivantes:

(1) Cet appareil ne peut causer d'interférences nuisibles

(2) Cet appareil reçoit toute interférence même les interférences qui peuvent occasioner un

mauvais fonctionnement.

Les modifications apportées à votre appareil et non expressément approuvés par la partie

responsable de la conformité peuvent annuler le droit de l'utilisateur à utiliser l'équipement.