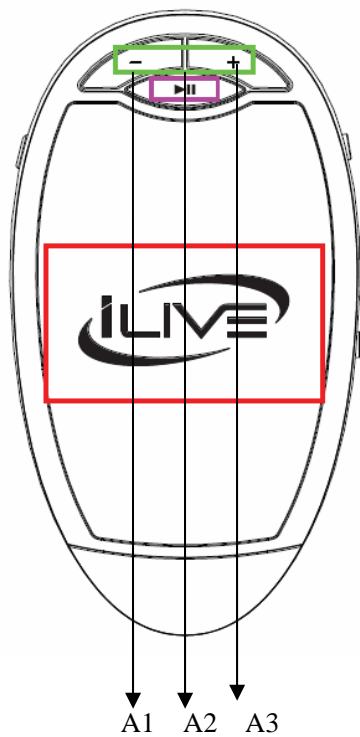
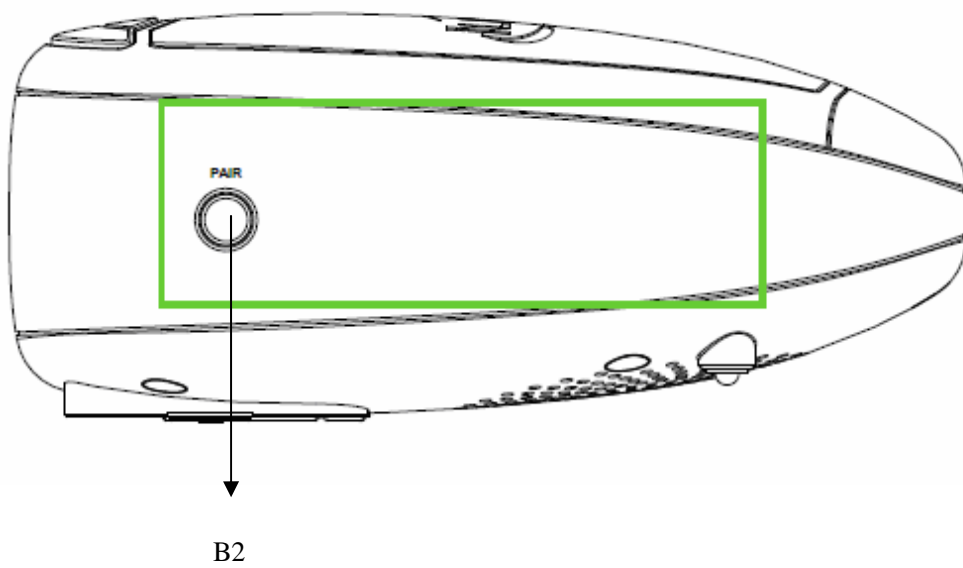


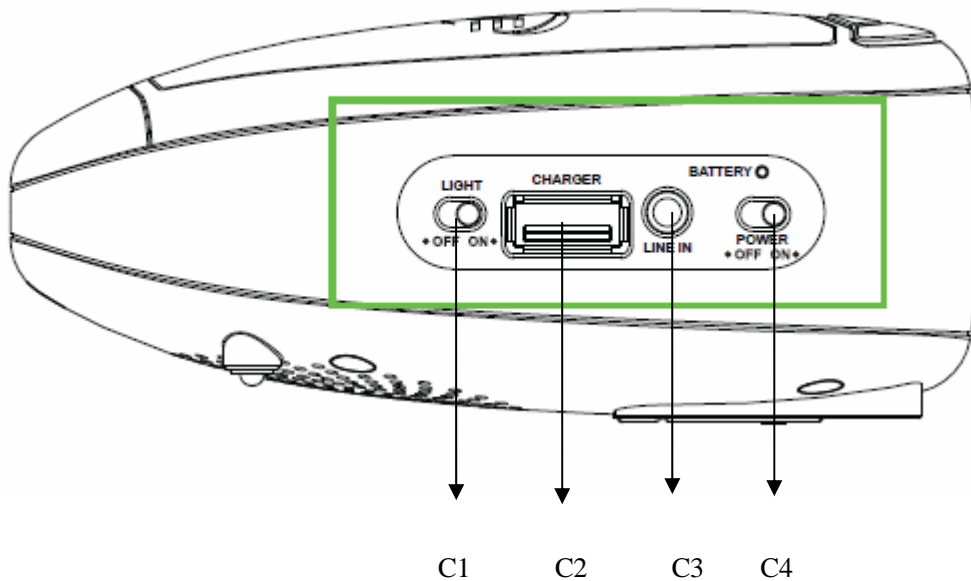
Introduction:



- A1: Vol-
- A2: Play/Pause
- A3: Vol+



- B2: Pair button



- C1: Light button
- C2: USB port
- C3: Line In jack
- C4: Power switch

Pairing a Bluetooth Device

1. Turn on the unit using the **Power** switch. The **Pairing indicator** will flash blue slowly.
2. Hold and press Pair button for 3s to go to pairing mode, the Pairing indicator will flash blue quickly.
3. Using the native controls on your Bluetooth device, select the **“DS-1181”** in your Bluetooth settings to pair.
3. When successfully paired and connected, the **Pairing Indicator** will display solid blue and a beep will sound from the unit.
4. To terminate bluetooth connection, hold Pair button for 3s.

After initial pairing, the unit will stay paired unless unpaired manually by the user to hold and press Pair button for 3s.

Playing Audio Wirelessly

1. Follow the instructions for Pairing a Bluetooth Device.
2. Use the native controls on the connected Bluetooth device to select a track.
3. To play, pause the selected track, use the native controls on the connected Bluetooth device or press the **Play/Pause** button on the unit.
4. Audio played through the connected Bluetooth device will now be heard through the speakers.
5. Press and hold the **Vol+ / Vol-** buttons to adjust the volume.

Using the 3.5mm Audio Input

1. Plug one end of a 3.5 mm audio input cable (included) into the **3.5 mm Audio Input** on the unit. The **Pairing/Line In Indicator** will display a red light.
1. Plug the other end of the cable into the audio output/headphone output on an MP3 Player or other audio source.
2. Turn on the unit using the **Power** switch.
3. Audio played through the connected device will now be heard through the speakers.

Note: Any audio being played through a connected Bluetooth Device will cease once the 3.5mm Audio source is connected.

Charging Indicator

Red: Charging

Off: fully charged

Flash red: lower battery

Charging for external devices

Speaker comes with USB port for charging external device such as smart phones, use a USB cable(not included) for charging.

Lamp

Speaker comes with White Lamp for lighting, switch LIGHT button to turn on/off lamp.

FCC Statement:

This device complies with part 15 of the FCC Rules. Operation is subject to the following two conditions: (1) This device may not cause harmful interference, and (2) this device must accept any interference received, including interference that may cause undesired operation.

This equipment has been tested and found to comply with the limits for a Class B digital device, pursuant to part 15 of the FCC Rules. These limits are designed to provide reasonable protection against harmful interference in a residential installation. This equipment generates, uses and can radiate radio frequency energy and, if not installed and used in accordance with the instructions, may cause harmful interference to radio communications. However, there is no guarantee that interference will not occur in a particular installation. If this equipment does cause harmful interference to radio or television reception, which can be determined by turning the equipment off and on, the user is encouraged to try to correct the interference by one or more of the following measures:

- Reorient or relocate the receiving antenna.
- Increase the separation between the equipment and receiver.
- Connect the equipment into an outlet on a circuit different from that to which the receiver is connected.

Caution: Any changes or modifications not expressly approved by the party responsible for compliance could void the user's authority to operate the equipment.