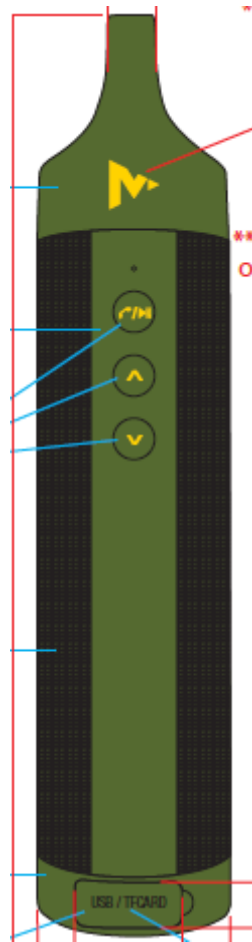


## Bluetooth Speaker

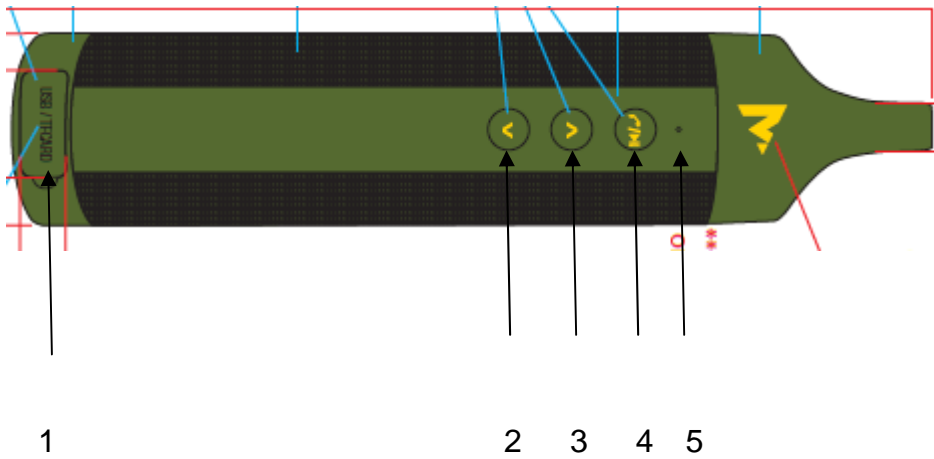


Thank you to have chosen our product. This product has been created by our professional team and according to the USA regulation. For a better use of your new device, we recommend you to read carefully this user manual and keep it for record.

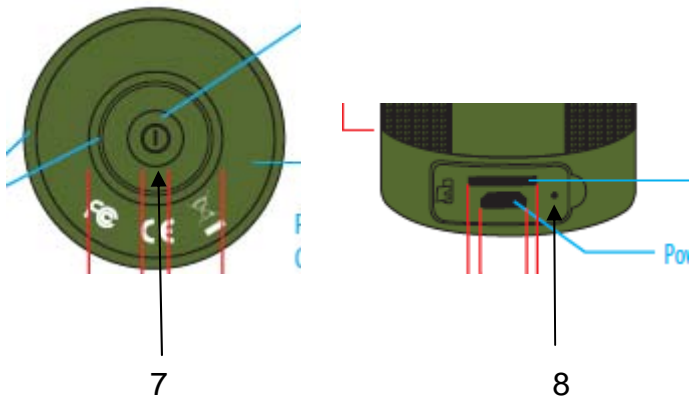
## **Specifications**

- Model No.:
- Speaker size : L200\*  $\Phi$ 40mm
- Power by USB cable :DC 5V 1A
- Rechargeable Li-ion battery included
- Battery capacity: 3.7V 1500MAH
- Battery life: 5Hrs (Volume at 75%)
- Output power: 1.5W X 2 (THD=10%)
- Working distance: < 10 M (Distance differs from different cellphone Bluetooth devices and the environments)

## **Product sketch map**






- 1. Micro USB Charging
- 2. Long press Next track / short press volume up
- 3. Long press Last track / short press volume down
- 4. Pause/Play, Hand-free button
- 5. Status indicator



- 7. Power switch: OFF/ON
- 8. Charging indicator

Status	Indicator
Bluetooth pairing	Blue light flash quickly
Paired	Solid blue light
Charging	Solid red light
Fully Charged	Solid green Light

## **Pairing Bluetooth Speaker**

1. Push the power switch  to turn on the speaker. The speaker is defaulted in Bluetooth Mode, and blue LED starts flashing.
  2. Turn on your bluetooth device, search "CLIFF" in your bluetooth searching list, then pair your bluetooth device with the speaker. (If your bluetooth device ask for password, please insert "0000".)
  3. After paired successfully, there will be a beep sound out and you could play songs.
  4. Adjust Volume up / Next track by press < (Up arrow) /Adjust Volume down / Last track by press > (down arrow)
  5. Press Pause button  on the speaker to play/pause the tune or just control the tune by press Play/Pause on your Bluetooth device.
  6. Hand-free : when there is a call , then just click this button  to answer. The speaker will come back to music-play at the and of call.
  7. When do not play music, please push the power button to OFF.
  8. If battery low please use usb cable plus to the speaker micro usb slot to charging
- Both the speaker and your Bluetooth device will store the device name. Next time, when you use the same Bluetooth device to connect the speaker, no password is asked.*

**FCC Disclaimer:**

This equipment has been tested and found to comply with the limits for a Class B digital device, pursuant to Part 15 of the FCC Rules. These limits are designed to provide reasonable protection against harmful interference in a residential installation. This equipment generates, uses and can radiate radio frequency energy and, if not installed and used in accordance with the instructions, may cause harmful interference to radio communications. However, there is no guarantee that interference will not occur in a particular installation. If this equipment does cause harmful interference to radio or television reception, which can be determined by turning the equipment off and on, the user is encouraged to try to correct the interference by one or more of the following measures:

- Reorient or relocate the receiving antenna.
- Increase the separation between the equipment and receiver.
- Connect the equipment into an outlet on a circuit different from that to which the receiver is connected.
- Consult the dealer or an experienced radio/TV technician for help.