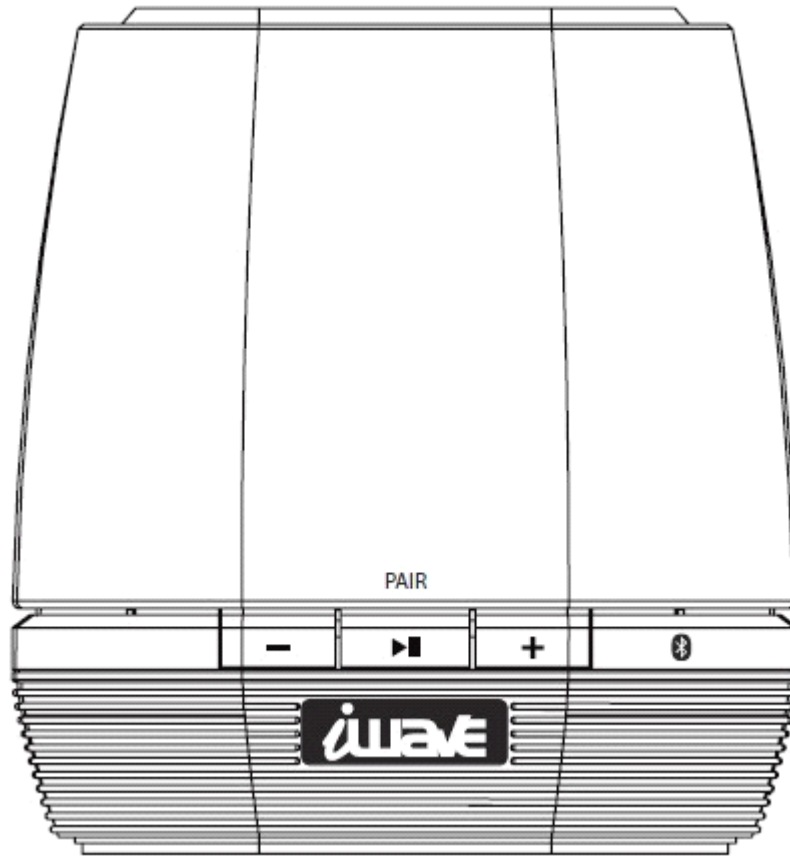


# Bluetooth Speaker

## DS-1121



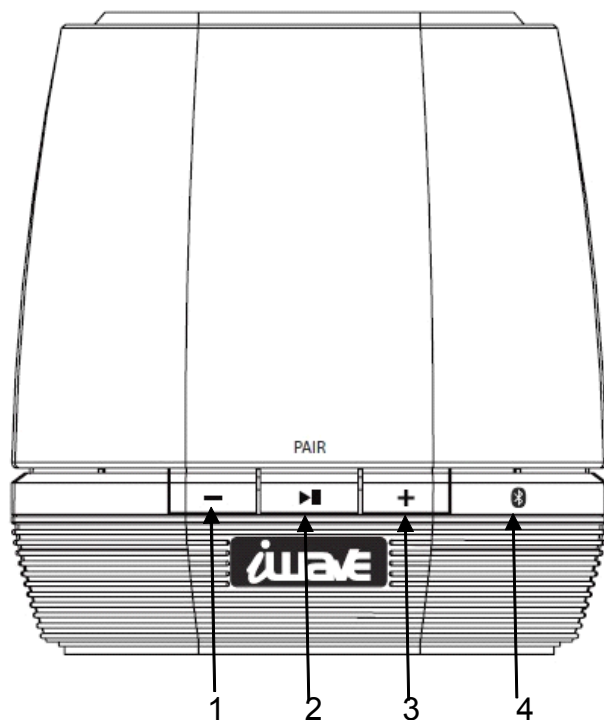
Thank you to have chosen our product. This product has been created by our professional team and according to the USA regulation. For a better use of your new device, we recommend you to read carefully this user manual and keep it for record.



## **Specifications**

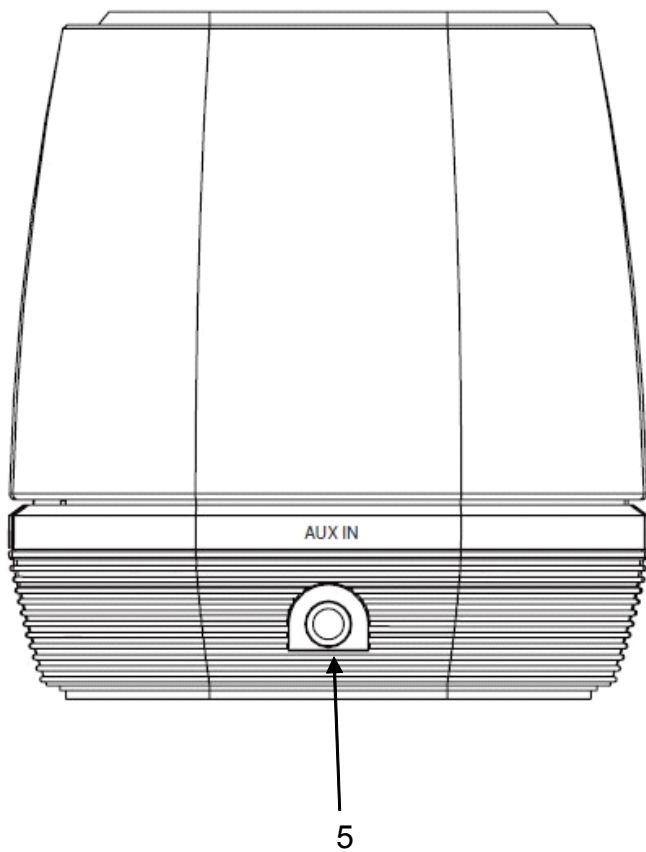
- Model No.: DS-1121
- Speaker size : L72.6\*W72.6\*H78mm
- Power by USB cable :DC 5V
- Rechargeable Li-ion battery included
- Battery capacity: 3.7V 500mAh
- Battery life: 4Hrs (Volume at 75%)
- Output power: 1.69W X 1 (THD=10%)
- Working distance: < 10 M (Distance differs from different cellphone Bluetooth devices and the environments)

## **Product sketch map**

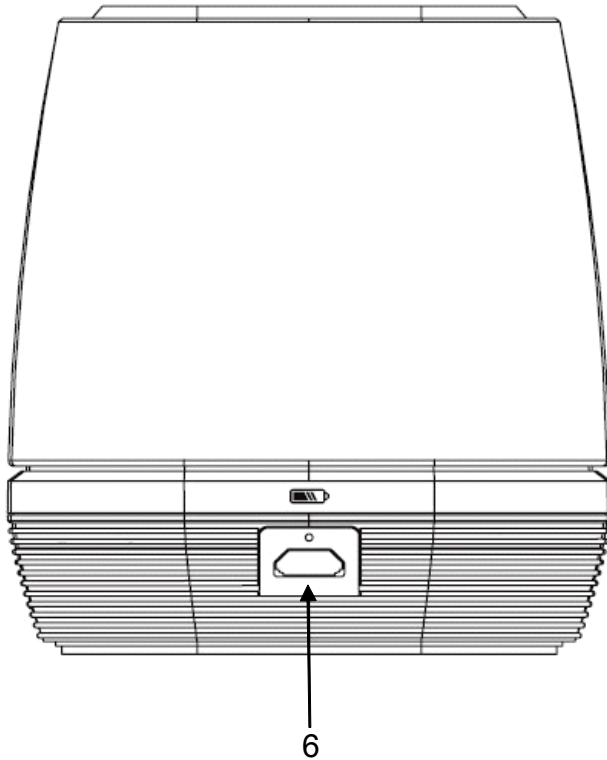


1. Volume Down
2. Pause
3. Volume Up
4. Bluetooth indicator

Status	Indicator
Bluetooth pairing	Blue light flash quickly
Paired	Blue light flash slowly
Aux-in mode	Red
Charging	Red light
Fully Charged	Green Light




5. AUX in Port



6. Micro USB port

## **Pairing Bluetooth Speaker**

1. Push the power switch  to turn on the speaker. A “Ding Du Ding” sound out. The speaker is defaulted in Bluetooth Mode, and blue LED starts flashing.
2. Turn on your bluetooth device, search “DS-1121” in your bluetooth searching list, then pair your bluetooth device with the speaker. (If your bluetooth device ask for password, please insert “0000”.)
3. After paired successfully, there will be a beep sound out and you could play songs.

*Both the speaker and your Bluetooth device will store the device name. Next time, when you use the same Bluetooth device to connect the speaker, no password is asked.*

## **Playing Audio Wirelessly**

1. Follow the instruction of [Pairing Bluetooth Device](#)
2. Adjust the volume by press or hold on the **-** or **+** buttons on speaker; or native controls on the Bluetooth device.
3. Press Pause button **▶■** on the speaker to play/pause the tune or just control the tune by press Play/Pause on your Bluetooth device.
4. When do not play music, please push the power button to OFF.
5. If red light flashing, it indicates power volume is low.

## **Using the 3.5mm Audio Input**

1. Plug one end of a 3.5mm Audio cable into the unit. The mode indicator light will display **a red light**.
2. Plug the other end of the 3.5mm Audio cable into other audio devices.
3. Turn on the speaker, it will play music from the audio device.
4. Press and hold on the **-** or **+** buttons to adjust the volume.
5. If you want to Play/pause the tune, just control the native buttons on your audio device.

FCC Statement:

This device complies with part 15 of the FCC Rules. Operation is subject to the following two conditions: (1) This device may not cause harmful interference, and (2) this device must accept any interference received, including interference that may cause undesired operation.

This equipment has been tested and found to comply with the limits for a Class B digital device, pursuant to part 15 of the FCC Rules. These limits are designed to provide reasonable protection against harmful interference in a residential installation. This equipment generates, uses and can radiate radio frequency energy and, if not installed and used in accordance with the instructions, may cause harmful interference to radio communications. However, there is no guarantee that interference will not occur in a particular installation. If this equipment does cause harmful interference to radio or television reception, which can be determined by turning the equipment off and on, the user is encouraged to try to correct the interference by one or more of the following measures:

- Reorient or relocate the receiving antenna.
- Increase the separation between the equipment and receiver.
- Connect the equipment into an outlet on a circuit different from that to which the receiver is connected.
- Consult the dealer or an experienced radio/TV technician for help.

Caution: Any changes or modifications not expressly approved by the party responsible for compliance could void the user's authority to operate the equipment.