



www.coolicam.com

# User's Manual

## 1. Introduction

Congratulations on purchasing the **Movi**. Using the latest innovations in technology the **Movi** offers fun, affordable and easy to use digital imaging.

Although you probably want to get started right away, please take a few minutes to read this guide and familiarise yourself with your new **Movi**. Your new **Movi** will take approximately 16 Hi-Res(High Resolution), 64 Normal-Res (Normal Resolution) & 128 Low-Res (Economy Resolution)images, which you upload to your PC (Personal Computer) running Windows® 98SE and Windows® Me via the USB (Universal Serial Bus) port.

You can also use your **Movi** to capture not only snaps of your family and friends, but also video with audio and audio of them in action. You can also use **Movi** as an audio recorder.

Your **Movi** can also be used as a Web Cam. If you have an internet connection and microphone (not supplied) you can chat face-to-face with friends and colleagues, conferencing in real time.

Memory for storing digital images and video clips can be added by inserting a SmartMedia™ Card (SMC) in the **Movi** Memory card slot provided. When you have taken your images, the **Movi** will wait for 60 seconds and then automatically switch to Stand-by mode to preserve battery life.

For **Movi** User's Manual update information, please visit <http://www.coolicam.com>.

## 2. Table of Contents

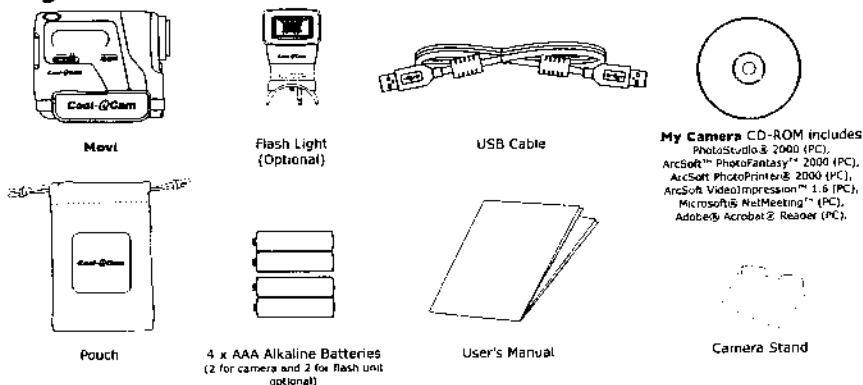
1. Introduction	1
2. Table of Contents	2
3. System Requirements	3
4. Package Contents	3
5. Software Installation	3
For Windows® Users:	
5.1 How to install My Camera Driver	4
5.2 How to install ArcSoft® Software	5
5.3 How to install Microsoft® NetMeeting™	5
5.4 How to install Adobe® Acrobat® Reader	5
6. Battery Installation	5
6.1 Batteries Replacement	5
7. Getting to Know Your <b>Movi</b>	6
7.1 Shutter Button	6
7.2 Flip out Viewfinder	6
7.3 Microphone	/
7.4 Mode Button	7
7.5 LCD Display	/
7.6 Power	7
7.7 Cool-iCam Flash Unit (Optional)	/
7.8 <b>Movi</b> Stand	8
7.9 SmartMedia™ Card Slot	8
8. Getting Started	8
8.1 Switching the <b>Movi</b> On from Stand-by Mode	9
8.2 Taking an Image	9
8.3 Video Clip with Audio Mode	9
8.4 Self-Timer Mode	9
8.5 Audio Recording Mode	9
8.6 Deleting the Last Image/Last Movie Clip with Audio/Last Audio Clip	9
8.7 Changing the Image Resolution	10
8.8 Flash Light Mode (Optional)	10
8.9 Turning your <b>Movi</b> OFF	10
9. Connecting your <b>Movi</b> to your Computer	10
10. How to Use Other Softwares	10
For Windows® Users:	
10.1 How to use PhotoStudio® 2000	10
10.2 How to use ArcSoft PhotoFantasy™ 2000	11
10.3 How to use ArcSoft PhotoPrinter® 2000	12
10.4 How to use ArcSoft VideoImpression™ 1.6	12
10.5 How to use Arcsoft PhotoImpression™ 2000	12
10.6 How to use Microsoft™ NetMeeting®	13
10.7 How to use Adobe® Acrobat® Reader	13
10.8 How to update DirectX	13
10.9 How to upload stored image/Video Clip/Audio Clip by using Windows® application "Imaging"	13
10.10 How to capture the video image	15
11. Customer Support	16
12. ArcSoft® WorldWide Customer Support	16
13. Troubleshooting	17
14. Battery Guidance	18
15. Technical Specifications	19
16. FCC Notice	20

### 3. System Requirements

#### For Windows® Users

- Compatible with Microsoft® Windows® 98SE and Me
- Pentium® II 333Mhz or higher recommended
- 128MB RAM
- USB Port
- 200MB free disk space
- CD-ROM Drive
- Colour Monitor with High Colour 800 x 600 resolution at 16-bit graphics
- Standard mouse and keyboard

### 4. Package Contents



### 5. Software Installation

#### For Windows® Users:

#### 5.1 How to Install My Camera Driver

##### 5.1.1 How to Install My Camera Driver

- "My Camera Driver" should be installed first.
1. Insert the CD-ROM disc into the CD-ROM drive and close the CD-ROM drawer.
  2. An installation wizard will automatically launch.
  3. Click "My Camera Driver" icon.
  4. Follow the instructions presented on the screen to complete the installation.
  5. Click "OK" to restart your computer and wait for your PC to restart automatically.

#### Notes:

- If the setup screen doesn't appear after loading the CD, then you can manually start it by double-clicking the "My Computer" icon on your desktop, then double-clicking the icon for the CD-ROM drive. When the CD-ROM window opens, double-click the "INSTALL\_E.exe" file.

##### 5.1.2 Installing the My Camera Driver in Windows® 98SE

After completing the camera setup from your installation CD, plug your camera into the USB port on your computer. There are four camera components that will be installed for your camera. Follow the steps below for a proper installation.

Your original Windows Installation CD MAY be requested. Insert the CD into your CD-ROM Drive when requested.

1. Upon plugging in your camera to the USB Port the "Add New Hardware Wizard" will appear to guide you through installation of the first camera component, the "USB Audio Device".
2. You will be asked "What would you like to do?" Choose to "Search for the best driver..." and press the enter key.

#### Important! The Windows Install CD may be required at this time.

3. The "Add New Hardware Wizard" should automatically find and install the drivers for the "USB Audio Device". Choose <Finish> to continue installing the rest of the camera components.

##### 5.1.3 Installing the My Camera Driver in Windows® ME

After completing the camera setup from your installation CD, plug your camera into the USB port on your computer. There are four camera components that will be installed for your camera. Follow the steps below for a proper installation.

1. Upon plugging in your camera to the USB Port the "Add New Hardware Wizard" will appear to guide you through installation of the first camera component, the "USB Audio Device", which is the microphone built in to your camera.
2. You will be asked "What would you like to do?" Choose to "Automatically Search" for the drivers and press the enter key.
3. The "Add New Hardware Wizard" should automatically find and install the drivers for the "USB Audio Device". Choose <Finish> to continue installing the rest of the camera components.

#### 5.1.4 Uninstall your My Camera Driver

There are two tasks that need to be done to uninstall the movi driver. Firstly, remove the device from the Operating System through the Device Manager. To do this:

1. Make sure the movi is connected to the host computer.
  2. Open the System Control Panel and go to the Device Manager.
  3. Open the "Imaging Devices" section.
  4. Click once on the "Still Camera Interface" that appears in the "Imaging Devices" list.
  5. Remove the "Still Camera Interface":
    - In the Windows® 98SE and ME, you can select the "REMOVE" button on the bottom of the Device Manager window.
  6. The Windows Device Manager will ask you to confirm that you want to uninstall the camera.
  7. Click once on the "Video Camera Interface" that appears in the "Imaging Devices" list.
  8. Remove the "Video Camera Interface":
    - In the Windows® 98SE and ME, you can select the "REMOVE" button on the bottom of the Device Manager window.
  9. The Windows Device Manager will ask you to confirm that you want to uninstall the camera.
  10. Open the "Universal Serial Bus controllers" section.
  11. Click once on the "WWL Cool-iMovi Camera" that appears in the "Universal Serial Bus controllers" list.
  12. Remove the "USB Composite Device":
    - In the Windows® 98SE and ME, you can select the "REMOVE" button on the bottom of the Device Manager window.
  13. The Windows Device Manager will ask you to confirm that you want to uninstall the camera.
  14. Close Device Manager.
  15. Unplug the camera.
- The second part is to run the driver uninstall application that was created when the drivers were originally installed.
16. Open to the "Add/Remove Programs" located in the control panel.
  17. Select Movi from the list and click on the remove button. Follow the on-screen instructions.

You have removed the driver files and associated registry entries. To reinstall your camera, run the driver installation setup.exe and then plug the camera into your USB port.

#### Notes:

- Uninstalling your My Camera Driver does not delete your album folders and therefore all images transferred into your default or created albums will be preserved. You will be able to access these folders on your system desktop.

### 5.2 How to Install ArcSoft® Software

#### Introduction to the Software

##### PhotoStudio® 2000

PhotoStudio® 2000 is a full-featured, easy-to-use digital image-editing program that provides a complete set of photo editing and retouching tools, plus a wide selection of special effects and enhancements. Its powerful features include a wide variety of input and output options, layers, multiple undo and redo functions, image management tools, editable text, multiple file format support and a lot more.

##### ArcSoft PhotoFantasy™ 2000

ArcSoft PhotoFantasy™ is an image entertainment application that enables users to create "photo fantasies" by combining their personal photos with a wide variety of fantasy backgrounds. Users can get their own images from digital cameras, scanners, disk drives and Photo CDs, and seamlessly combine them with just a few clicks of the mouse. The fantasy backgrounds include fictional characters, classic works of art, Olympic heroes, 50's funnies, bathing beauties, muscle men and a lot more.

##### ArcSoft PhotoPrinter® 2000

ArcSoft PhotoPrinter® is an easy-to-use printing utility that enables the user to layout and print multiple images in different sizes quickly and easily on a single sheet of paper. The program offers a large selection of printing templates, including Kodak Digital Science Inkjet Photo Paper Templates and Avery-brand paper products. It also includes commonly used image-editing tools and a wide selection of templates for frames, edges and backgrounds for enhancing images.

##### ArcSoft VideoImpression™ 1.6

ArcSoft VideoImpression™ is an easy-to-use video and image editing software program. The program enables users to create and edit new videos using existing video and image files - making desktop video presentations for home, business, and the Web.

##### ArcSoft PhotoImpression™

ArcSoft PhotoImpression™ is an easy to use digital video and image-editing program. This program enables users to upload still image, audio and movie clips store in your camera. You could also edit and retouch your photos, then add special effects or place them in cards, calendars, frames and fantasy templates. ArcSoft PhotoImpression™ also includes a wide variety of printing options.

Visit <http://www.arcsoft.com> for all your FAQ's, tips and technical support see Section 13 for more details.

### 5.2.1 How to Install ArcSoft® Software

1. Reinsert the CD-ROM disc into the CD-ROM drive and close the CD-ROM drawer.
2. An installation wizard will automatically launch.
3. Click the "ArcSoft® Software" icon.
4. Select the language for the installation and click "OK".
5. Follow the on-screen prompts.
6. Select the software you want or you do not want installed by clicking on the tick boxes next to the software title. Click "Next >" to continue.
7. Follow the instructions presented on the screen to complete the installation.



#### Notes:

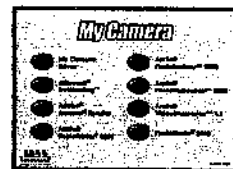
Don't worry if you made a mistake and want to add in ArcSoft® titles you did not tick. Reinsert the CD-ROM and follow steps 1 - 6 ticking only the software you want to add.

### 5.3 How to install Microsoft® NetMeeting™

NetMeeting™ provides the most complete conferencing solution for the Internet and corporate intranet. Powerful features let you communicate with both audio and video, collaborate on virtually any Windows-based application, exchange graphics on an electronic whiteboard, transfer files, use the text-based chat program, and much more. Using your PC and the Internet, you can now hold face-to-face conversations with friends and family around the world.

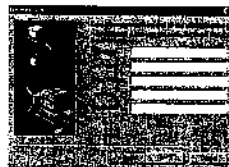
#### To install the Microsoft® NetMeeting™:

1. Insert the CD-ROM disc into the CD-ROM drive and close the CD-ROM drawer.
2. An installation wizard will automatically launch.
3. Click the "Microsoft® NetMeeting™" icon.
4. Follow the instructions presented on the screen to complete the installation.
5. You will have a choice during installation to place a desktop icon on your desktop for easy access directly to the software.
6. For further installation details, please visit the following website:  
<http://www.microsoft.com/windows/netmeeting>



#### Notes:

- You need to enter your name, your e-mail address and country details during installation.
- You need to adjust the playback volume and your record volume.



### 5.4 How to install Adobe® Acrobat® Reader

Adobe® Acrobat® Reader lets you view and print Adobe Portable Document format (PDF) files on all major computer platforms, as well as fill in and submit Adobe PDF forms online.

#### To install the Adobe® Acrobat® Reader:

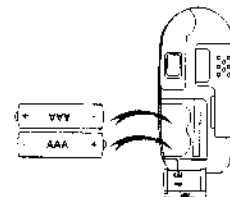
1. Reinsert the CD-ROM disc into the CD-ROM drive and close the CD-ROM drawer.
2. An installation wizard will automatically launch.
3. Click the "Adobe® Acrobat® Reader 4.05" icon.
4. Follow the instructions presented on the screen to complete the installation.
5. Visit <http://www.adobe.com/> for all your FAQ's, tips and technical support.



## 6. Battery Installation

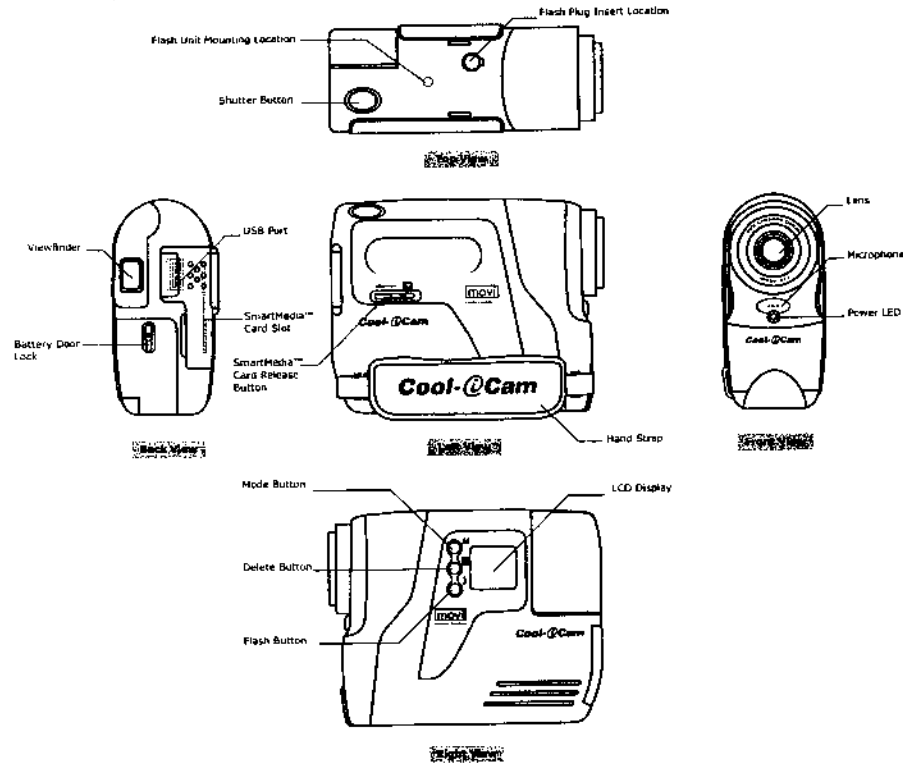
### 6.1 Batteries Replacement

1. Slide the button on the battery door (as shown in the diagram below), Insert the 2 new AAA alkaline batteries into the battery compartment (Make sure you follow the correct polarity (+) (-) as indicated.)
2. Close the battery door by flipping the Battery Door and secure it by sliding to lock position.



## 7. Getting to Know Your Movi

Refer to the picture below for a quick overview for your **Movi**.



### 7.1 Shutter Button

The Shutter Button has 4 functions. Although these are covered in more detail later in this manual, please find below a brief description together with LCD display icons for each function.

#### 7.1.1 Still Image

To take an image, aim the **Movi** by looking through the viewfinder and press the Shutter Button once.

#### 7.1.2 Movie Clip with audio

To take a movie clip, press and hold down the Shutter Button to start taking continuous images and stop by releasing the Shutter Button, a "beep" sound means you have taken an movie clip.

#### 7.1.3 Audio Recording

To record an audio clip, place the microphone on **Movi** close to the object you want to record. Press and release the Shutter Button to start recording. Press and release the shutter button again to finish the recording.

#### 7.1.4 Self-Timer

To start the 10 second Self-Timer, simply press the Shutter Button when the **Movi** is in the Self-Timer Mode.

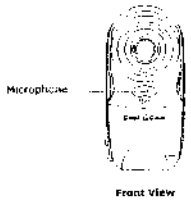
### 7.2 Flip out Viewfinder

Flip your viewfinder as illustrated in the diagram. The viewfinder is the window you look through when you aim the **Movi**. Make sure you are center and square onto the subject in the viewfinder before taking an image. Some practice maybe required.



### 7.3 Microphone

The Microphone is located at the front of your **Movi**. Put it close to the sound source to record an audio clip.



### 7.4 Mode Button

The Mode Button has 2 primary functions:

#### 7.4.1 Turning your Movi On from the Stand-by Mode

Pressing the Mode Button when the **Movi** is in Stand-by Mode (LCD is blank) will reactivate your **Movi**.

#### 7.4.2 Cycling Through the Operating Modes

You can also use the Mode Button to cycle through the operating modes of your **Movi**. (For more details, see Section 8. Getting Started)

### 7.5 LCD Display

By default, the icon LCD screen displays the number of images taken. It is also used in conjunction with the Mode Button to display various **Movi** mode settings and battery status.



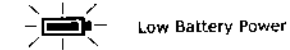
### 7.6 Power

#### 7.6.1 Stand-by Mode

After a period of 60 seconds inactivity, the **Movi** will switch to Stand-by Mode automatically and the LCD will go blank. All images taken will not be lost as they are stored in the SmartMedia™ Card. Simply press the Mode Button to reactivate your **Movi**.

#### 7.6.2 Main Battery

When power is low, the icon will flash then the LCD will go blank. A beep sound when low battery levels are reached. This indicates that the batteries are weak and need to be replaced.



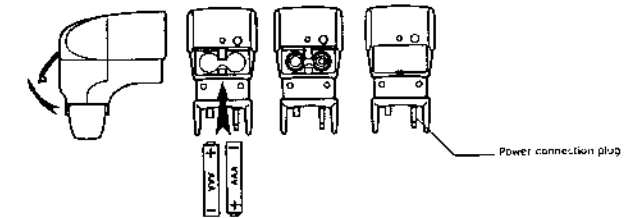
#### Important Note:

After the LCD goes blank, cannot activate your **Movi** by pressing the Mode Button, you must replace the batteries.

### 7.7 Cool-iCam Flash Attachment (Optional)

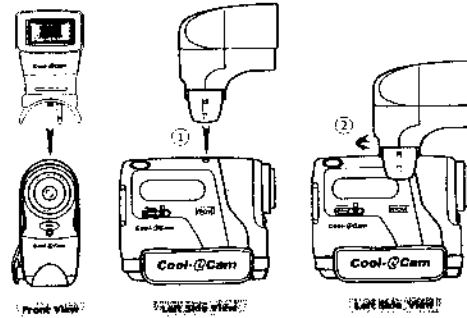
#### How to replace the batteries in the Cool-iCam Flash Unit

Remove the battery compartment cover from the flash bar and insert 2 AAA batteries (supplied) into the battery compartment. Ensure you have inserted the batteries using the correct polarity (+) (-) by following the diagram inside the battery compartment and follow the diagram below.



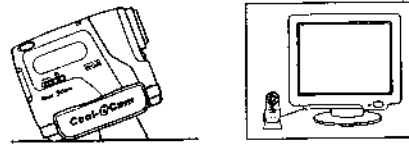
### Connecting the CoolCam Flash Attachment to Movi

Carefully connect the Flash Unit to the top of the **Movi** ensuring the power connection plug is all the way in, and the Flash Light is firmly secured on to the **Movi** by winding the round knob to the left to lock the flash to the **Movi**.



### 7.8 Movi Stand

When you want to use your **Movi** as a web-cam, use the enclosed stand and position accordingly, e.g. next to your computer monitor. This is also ideal for use when using the Self-Timer Modes.



#### Important Note:

To use as a web-cam, you will require Internet access. To talk and listen, you will require a sound card, speakers and microphone (not supplied).

### 7.9 SmartMedia™ Card Slot

#### 7.9.1 What is a SmartMedia™ Card - a brief explanation

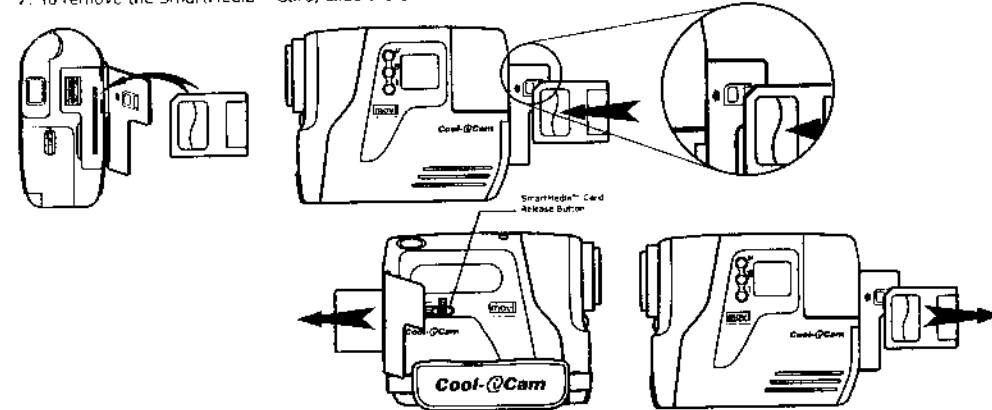
SmartMedia™ memory cards expand your ability to store more images. SmartMedia™ memory cards can be reused. Simply erase the data that is not needed and the SmartMedia™ card is ready for reuse. The SmartMedia™ card can be removed from your **Movi** without fear of losing the data you have stored, and additional cards can be then be inserted. This is especially advantageous when you are away from your PC for prolonged periods of time (like holidays) where you don't have the facility to upload the images daily to your computer.

#### Important Note:

- Before deciding the size of the SmartMedia™ memory card you may want to purchase, it is advisable to understand the memory capacity of each size of SmartMedia™ card and how that equates to the number of images each SmartMedia™ card can hold.
- Your **Movi** can use SmartMedia™ Card of 8, 16, 32, 64 and 128MB memory sizes.
- Images stored on your SmartMedia™ card are an approximate calculation. Depending on the content of the image may vary the image file size.

#### 7.9.2 Inserting and ejecting your SmartMedia™ Card

1. Open flap and slide in the SmartMedia™ Card slot provided. Ensure the SMC is inserted the correct way round.
2. To remove the SmartMedia™ Card, slide the SmartMedia™ Card Release Button as shown in the diagram below.



### 7.9.3 Using SmartMedia™ Card with Movi

Your **Movi** uses SmartMedia™ Card as the main storage of your images. For more images storage, you can extend by using higher memory SmartMedia™ Card(not included). Your **Movi** can use SmartMedia™ Card of 8, 16, 32, 64 and 128MB memory sizes.

#### Important Note:

- You can use any SmartMedia™ Card that has been formatted by other device, but it will wipe out any insisting files on it when loaded. You also cannot use it in the other device.
- Your image taken by **Movi** and store in SmartMedia™ Card may not read from general SmartMedia™ Card Reader and other brand camera.
- If **LC** appears in your LCD, it means there is no SmartMedia™ Card in your **Movi**.
- When the SmartMedia™ Card is full, the icon(s) in the LCD display will flash.

## 8. Getting Started

### 8.1 Switching the Movi On from the Stand-by Mode

Press and release the Mode Button once when the **Movi** is in Stand-by Mode (LCD is blank) will reactivate your **Movi**, the LCD lights up after several seconds.

### 8.2 Taking an Image

Press the Shutter Button to take an image. The **Movi** will beep. A high pitched beep indicates that the image was taken successfully and the counter will count up. The LCD screen displays the number of images taken. Press the Shutter Button to take an image. 3 modes(high, normal and low resolution) where you could select to take your image.

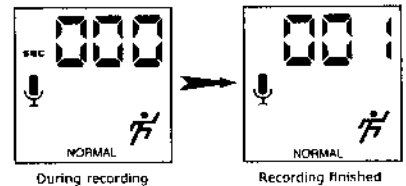


By pressing the Mode Button you can cycle through additional features as displayed on the LCD. When a given mode is displayed it can be accessed by pressing the Shutter Button.

### 8.3 Video Clip with Audio Mode

To create a movie clip:

1. Press the Mode Button until both # and microphone icon appears on the LCD. There are two modes: Normal mode for CIF recording and Low mode for QCIF recording.
2. Press and hold the Shutter Button to start taking the movie. Release the Shutter Button to stop recording the movie.
3. During Movie Recording, the 3 digits 7 segments will display number of seconds taken.
4. When recording is finished, the 3 digits 7 segments will display number of clips remaining.



#### Important Note:

Storage of both normal and low resolution video clips in the same SMC is not recommended as this may lead to distortion of the low resolution video clips.

### 8.4 Self-Timer Mode

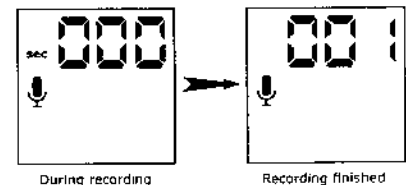
To use the self-timer feature, press the Mode Button until a timer icon appears in the LCD then press the Shutter Button to start a 10 second self-timer. The LED will blink and **Movi** will issue a short beep every second and then a long beep just prior to a further short beep which indicates that the image has been successfully taken. The resolution is set at NORMAL only when Self-Timer mode is used.



### 8.5 Audio Recording Mode

To create an audio clip:

1. Press the Mode Button until the microphone icon appears on the LCD.
2. Press and release the Shutter Button to start recording. Press and release the Shutter Button again to stop recording.
3. During Audio Recording, the 3 digits 7 segments will display number of seconds taken.
4. When recording is finished, the 3 digits 7 segments will display number of clips taken.




### 8.6 Deleting the Last Image/Last Movie Clip with Audio/Last Audio Clip

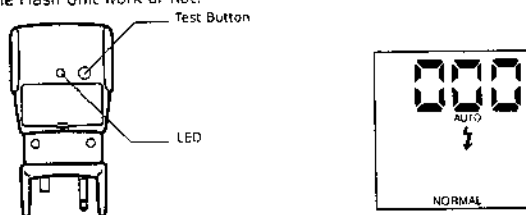
When you wish to delete the last image/last movie clip with audio/last audio clip in your **Movi**. Press DELETE button to delete last image/movie clip/audio clip.

### 8.7 Changing the Image Resolution

Image resolution can be changed whenever you need. Cycle through the Mode options by pressing the Mode Button until High/Normal/Low appears at the rear LCD.

### 8.8 Flash Light Mode (Optional)

Select  (Flash Mode) on the LCD display using the Mode Button. Press the Shutter Button to take the still image while the LED on the flash unit is lit. The LED may take a few moments to illuminate between taking images. The Test Button is only use to test whether the Flash Unit work or not.




**Important Note:**  
When Flash Light mode is ON, **Movi** will automatically switch into Auto Flash Mode, this mean that **Movi** will Flash (if Flash Unit is connected) automatically when insufficient light exposure is detected.

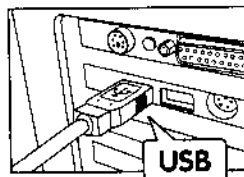
### 8.9 Turning your Movi OFF

You can switch off your **Movi** by pressing and holding on to the Mode Button until the LCD goes "Blank"

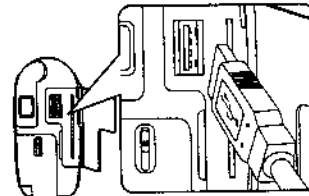
## 9. Connecting your Movi to Your Computer

The USB cable allows you to upload images and audio from the **Movi** to your PC. One end of the cable connects to the USB port on the side of the **Movi** and the other end connects to your PC's USB port. When your **Movi** is connected to your PC, it will draw power from the PC in order to preserve your battery life.

The USB port can be found on the front or back panel of your PC. Look for this  symbol next to the connection port. (Also see your PC operating manual for the location of your USB connection port.)



USB Series "A" Plug Connects to your PC



USB Series "A" Plug Connects to your **Movi**

When you first connect your **Movi** to your PC, a message appears on screen saying "New Hardware Found" and "Building Driver Information Database". After this, you can start to upload images!

**Important Note:**  
Connecting your Movi directly to PC via USB cable, it is not recommended to use USB hub for connection.

## 10. How to Use Other Softwares

### For Windows® User:

You can upload your images directly from your **Movi** into PhotoStudio®, ArcSoft PhotoFantasy™, ArcSoft PhotoPrinter® and ArcSoft VideoImpression™. Images can also be retrieved previously saved in your computer files.

### 10.1 How to use PhotoStudio® 2000

1. Select the "PhotoStudio® 2000" icon from the "ArcSoft Camera Suite" program group on the Windows® Start Menu. You can now start to download your stored images from your **Movi** by the following steps:
2. Go to "File" and select "Select Source". Select "WWL Cool-iMovi Camera" as source.
3. Go to "File" and select "Acquire". The capture interface will show up. To capture image(s), highlight the wanted image(s) and click "Capture".
4. For further help on how to use PhotoStudio® 2000, go to "Help" to access the Help Topics. Visit <http://www.arcsoft.com> for all your FAQ's, tips and technical support. See Section 12 for more details.

