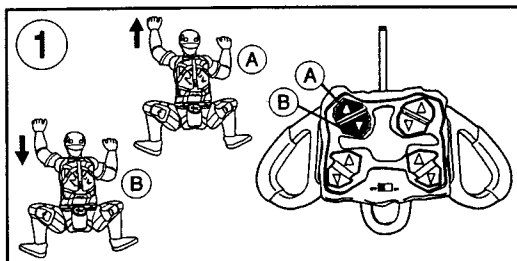
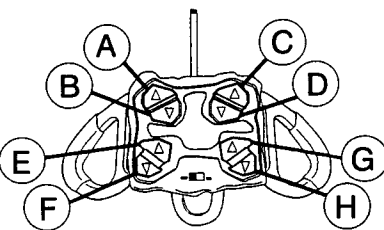
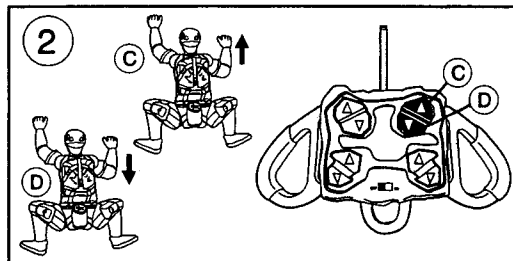


## HAND CONTROLLER OPERATION:

The Red Buttons control the climber's arms - the direction is marked with arrows.

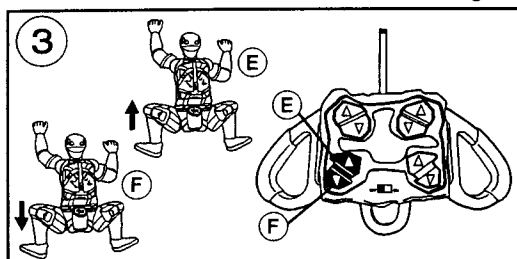


1. Left arm control: press button A to move the left arm up and press button B to move the left arm down. (See diagram)

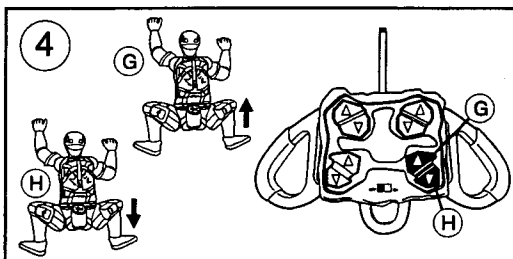


2. Right arm control: press button C to move the right arm up and press button D to move the right arm down. (See diagram)

The Blue Buttons control the climber's legs - the direction is marked with arrows.



3. Left leg control: press button E to move the left leg up and press button F to move the left leg down. (See diagram)



4. Right leg control: press button G to move the right leg up and press button H to move the right leg down. (See diagram)

Warning : Changes or modifications to this unit not expressly approved by the party responsible for compliance could void the user's authority to operate the equipment.

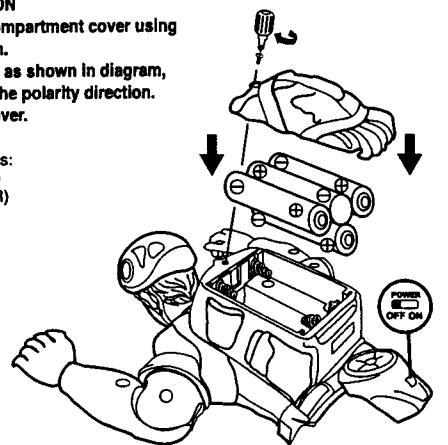
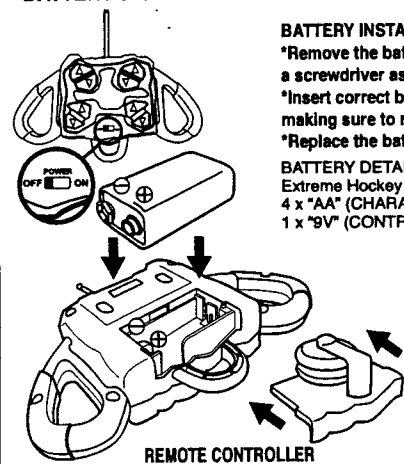
### BATTERY & ON / OFF DIAGRAM

#### BATTERY INSTALLATION

- \*Remove the battery compartment cover using a screwdriver as shown.
- \*Insert correct battery - as shown in diagram, making sure to match the polarity direction.
- \*Replace the battery cover.

**BATTERY DETAILS:**  
Extreme Hockey requires:  
4 x "AA" (CHARACTER)  
1 x "9V" (CONTROLLER)

TO REPLACE BATTERIES UNSCREW SINGLE SCREW BATTERY COVER AS SHOWN IN ILLUSTRATION AND REPLACE BATTERIES.



### IMPORTANT BATTERY INFORMATION

- \*Do not mix old and new batteries.
- \*Do not mix alkaline, standard (Carbon zinc) or rechargeable (nickel-cadmium) batteries.
- \*Rechargeable batteries not recommended.
- \*Batteries should be replaced by adults because of small parts.

Batteries are to be inserted with correct polarity.

Non-rechargeable batteries are not to be recharged. Only batteries of the same or equivalent type as recommended are to be used. Exhausted batteries are to be removed from the toy. The supply terminals are not to be short-circuited.

This device complies with Part 15 of the FCC Rules. Operation is subject to the following two conditions: (1) This device may not cause harmful interference, and (2) This device must accept any interference received, including interference that may cause undesired operation.

NOTE: This equipment has been test and found to comply with the limits for a Class B digital device, pursuant to Part 15 of the FCC Rules. These limits are designed to provide reasonable protection against harmful interference in a residential installation. This equipment generates, uses and can radiate radio frequency energy and, if not installed and used in accordance with the instructions, may cause harmful interference to radio communications.

However, there is no guarantee that interference will not occur in a particular installation. If this equipment does cause harmful interference to radio or television reception, which can be determined by turning the equipment off and on, the user is encouraged to try to correct the interference by one or more of the following measures:

- Reorient or relocate the receiving antenna.
- Increase the separation between the equipment and receiver.
- Connect one equipment into an outlet on a circuit different from that to which the receiver is connected.
- Consult the dealer or an experienced radio/TV technician for help.

Manufactured and Distributed by:  
© 2000 Wow-Wee Inc. 4480 Cote-de-Liesse  
T.M.R. Quebec H4N 2R1  
All rights reserved.

Made in China.

Wow-Wee Int'l., Unit 301 C,  
92 Granville Rd. T.S.T. East, Kowloon, H.K.

<http://www.wowwee.com>

