

DRIVING & SAFETY TIPS:

- When you have finished playing, make sure that you turn the On/Off switch on the controller and the Real Driver to "Off".
- Remember that when the vehicle is coming towards you, it will steer in the opposite direction to the way you turn the wheel. Try to imagine that you are in the driver's seat to work out the direction it will turn in.
- Keep fingers, hair and loose clothing away from the tires and wheels while the vehicle is in motion.
- Never drive your Real Driver on the streets.
- Do not pick up the vehicle while it is in motion.
- Do not drive the vehicle through water.
- For best results, hold the antenna up, not pointing down towards the vehicle.

This device complies with Part 15 of the FCC Rules. Operation is subject to the following two conditions: (1) This device may not cause harmful interference, and (2) This device must accept any interference received, including interference that may cause undesired operation.

NOTE: This equipment has been tested and found to comply with the limits for a Class B digital device, pursuant to Part 15 of the FCC Rules. These limits are designed to provide reasonable protection against harmful interference in a residential installation. This equipment generates, uses and can radiate radio frequency energy and, if not installed and used in accordance with the instructions, may cause harmful interference to radio communications. However, there is no guarantee that interference will not occur in a particular installation. If this equipment does cause harmful interference to radio or television reception, which can be determined by turning the equipment off and on, the user is encouraged to try to correct the interference by one or more of the following measures:

- Reorient or relocate the receiving antenna.
- Increase the separation between the equipment and the receiver.
- Connect the equipment into an outlet on a circuit different from that to which the receiver is needed.
- Consult the dealer or an experienced radio/TV technician for help.

WARNING: Changes or modifications to this unit not expressly approved by the party responsible for compliance could void the user's authority to operate the equipment. Please keep these instructions as they contain important information.

90 DAY LIMITED WARRANTY

Wowwee Ltd. warrants to the original consumer purchasers that the Real Driver™ will be free from defects in material and/or workmanship under normal use for a period of 90 days from the date of purchase. This Warranty is in lieu of all other express or implied warranties which might arise with respect to this Product, including the warranties of merchantability or fitness for a particular purpose.

IN ADDITION, INCIDENTAL AND CONSEQUENTIAL DAMAGES ARE HEREBY EXCLUDED BOTH FOR PROPERTY AND TO THE EXTENT PERMITTED BY LAW, FOR PERSONAL INJURY DAMAGE. Some states do not allow the exclusion or limitation of incidental and consequential damages.

Should you experience any difficulty with your Product, please return it to the place of purchase, along with an original proof of purchase, and either the original box or the UPC Code label from the box. You will receive a replacement for the Product, or be issued a refund for the purchase price of the Product in the event a replacement is not available at the place of purchase. This warranty does not cover damage resulting from accident, misuse or abuse. Valid only in U.S.A.

Manufactured and distributed by
©2005 WowWee Ltd.
All Right Reserved.

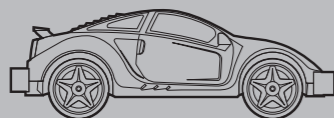
WowWee (Asia Office)
Unit 301A-C, 92 Granville Rd.,
T.S.T. East, Hong Kong

WowWee (North American Office)
4480 Cote de Liesse, Suite 320,
T.M.R. Quebec, H4N 2R1, Canada
Consumer Hotline: 1-800-310-3033
www.wowwee.com

We recommend that you retain our
address for future reference.
Product and colors may vary.
PRINTED IN CHINA.



DN0240us01



Item No.0240

Ages 8+

REAL DRIVER™

GET IN GEAR™

Real controlled DRIFTING action

Real speed 19mph



USER'S MANUAL



Item No. D240
Ages 8+

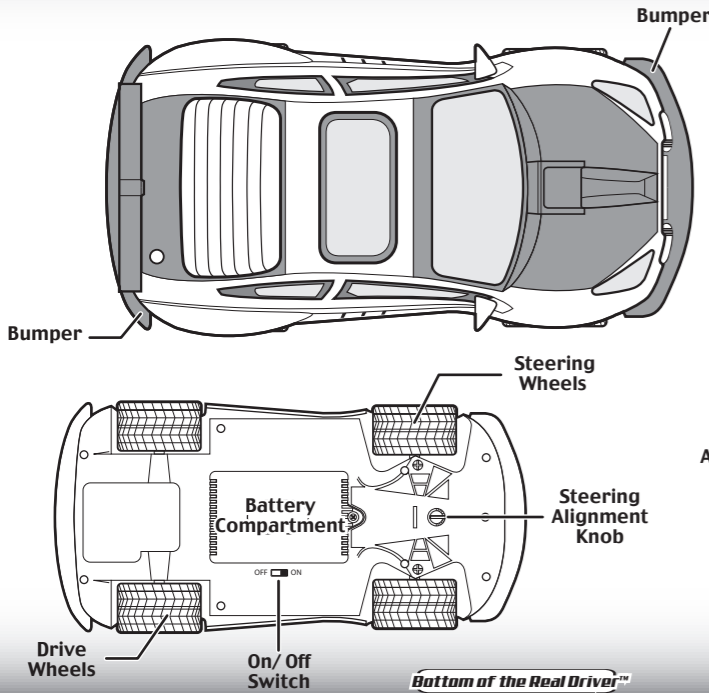
REAL DRIVER™

get in gear

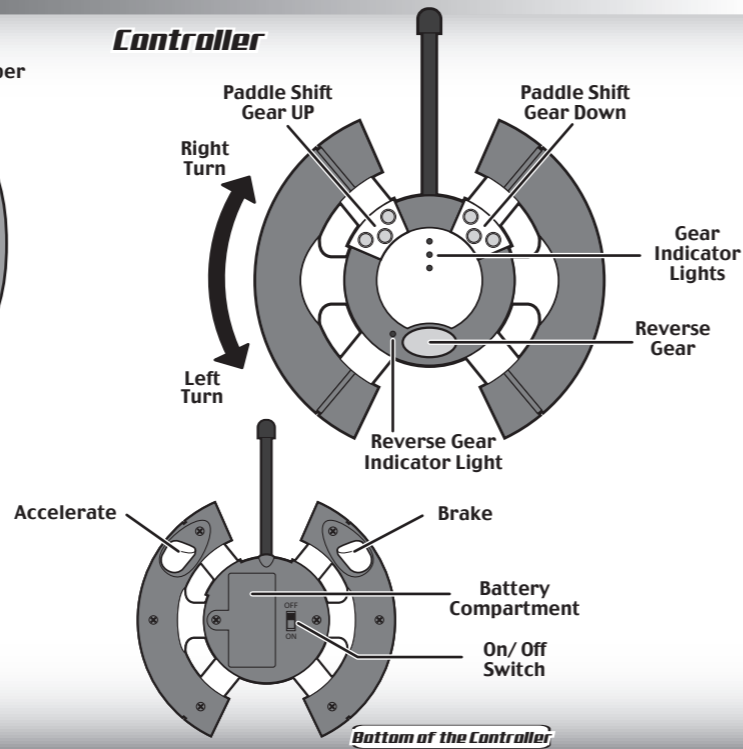
- Real Driver 1 x 9.6V 1000mAh Ni-MH rechargeable battery (included)
- Controller 1 x 9V (not included)

Contents

Real Driver™



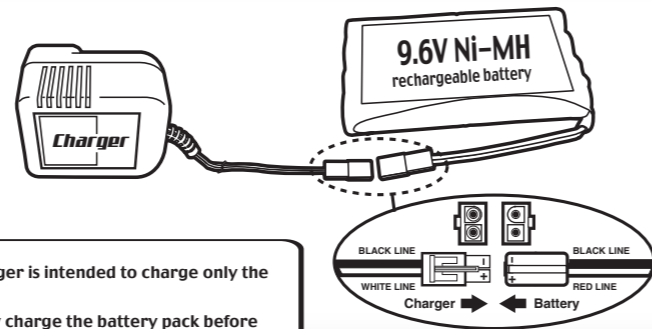
Controller



Battery Charging

Before use the battery pack must be fully charged:

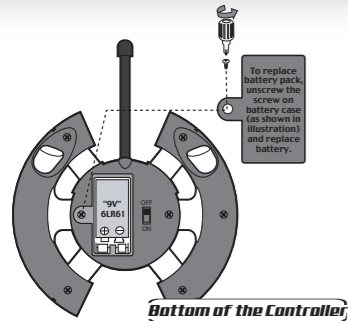
1. Plug the charger into a wall outlet.
2. Attach the charger to the battery pack as shown in the diagram. Make sure that the connectors are attached the right way up, they should slide into place smoothly and the retention clip should engage.
3. When the battery pack is first charged it will take around 12 hours. Charging times after the first charge will take around 3 hours.
4. Disconnect the battery pack from the charger by pressing down on the retention clip and pulling the connectors apart. The battery pack is now ready to be installed in the Real Driver.
5. The transformers/battery charger used with toys are to be regularly examined for damage to the cord, plug, enclosure and other parts, and that, in the event of such damage has been repaired.
6. The toy must only be used with the recommended transformer (shows the rating)
7. The transformer is not a toy



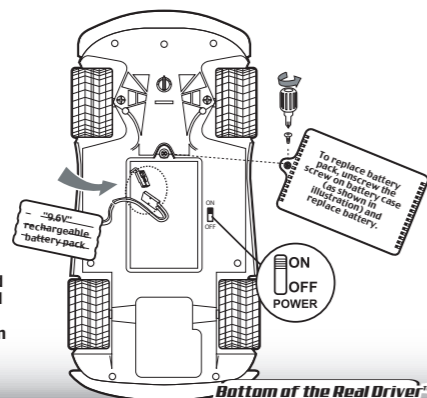
WARNING: Only use the charger supplied with the Real Driver™. This charger is intended to charge only the 9.6V Ni-MH rechargeable battery pack supplied.

NOTE: Allow the battery pack to cool before recharging. Always fully charge the battery pack before using it. Charge fully according to the battery/charger manufacturer's instructions. Charging times differ with different brands, models, ages and conditions of battery packs and chargers. The first few charges of a new battery may require more time for a full charge than later charges.

Battery Installation



- Controller**
- Insert 1 x 9V battery (not included) into the controller as shown in the diagram.
 - Replace the battery compartment cover and the screw.



- Real Driver™**
- Connect the battery (not included) to the power lead in the battery compartment. Make sure that the connectors are attached the right way up, they should slide into place smoothly and the retention clip should engage. See the diagram for details.
 - Place the battery pack into the compartment as shown in the diagram. Neatly fold the connection lead down to the side of the battery pack.
 - Replace the battery compartment cover and the screw.

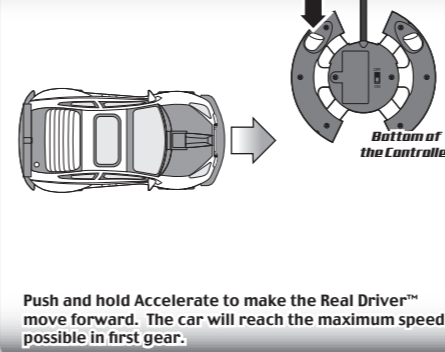
ATTENTION: IMPORTANT BATTERY INFORMATION

- Use only fresh batteries of the required size and recommended type.
- Do not mix old and new batteries, different types of batteries (standard alkaline, or rechargeable), or rechargeable batteries of different capacities. We recommend the use of rechargeable batteries.
- Remove rechargeable batteries from the toy before recharging them.
- Rechargeable batteries are only to be charged under adult supervision.
- Please respect the correct polarity, (+) and (-).
- Do not dismantle batteries of any type.
- Do not try to charge non-rechargeable batteries.
- Do not throw batteries into the fire.
- Replace all batteries of the same type/brand at the same time.
- Do not short-circuit the battery contacts.
- Remove exhausted batteries from the toy.
- Batteries should be replaced by adults because of small parts.
- Remove batteries if the toy is not going to be played with for some time.
- **RECHARGEABLE BATTERIES:** Do not mix these with any other types of battery. Always remove from the product before recharging. Recharge batteries under adult supervision. **DO NOT RECHARGE OTHER TYPES OF BATTERIES.**

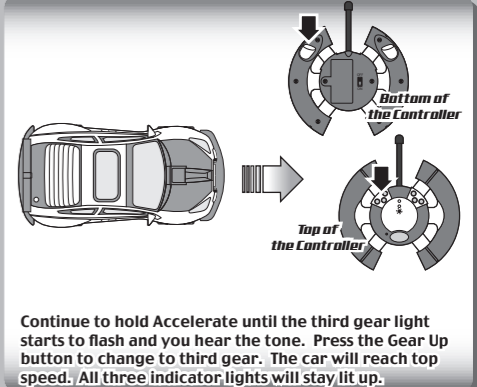
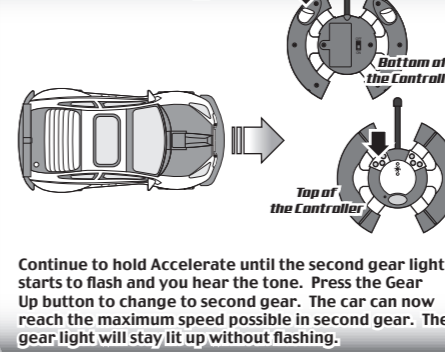
Driving the Real Driver™

- Turn on the Real Driver™ and the controller using the On/Off switches.
- The power indicator light on the controller will glow as long as the battery has power.

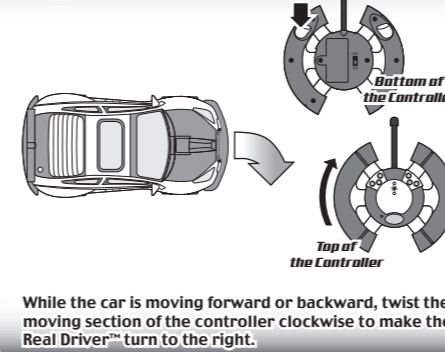
Forward



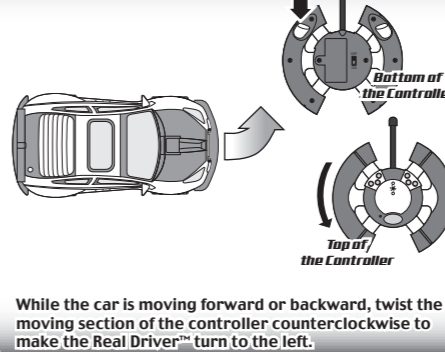
Accelerating



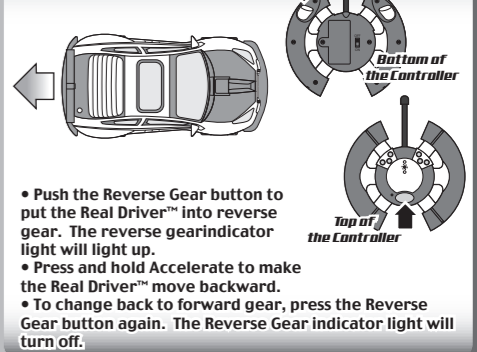
Right Turn



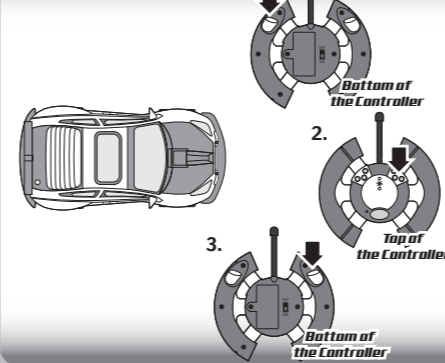
Left Turn



Reverse



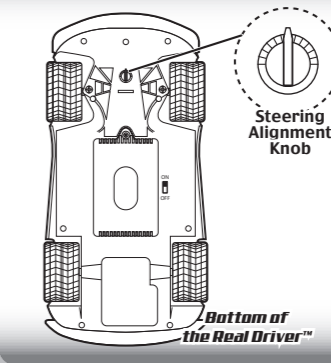
Decelerating



There are three ways to slow down the Real Driver™.

1. If you release the Accelerate button the car will gradually slow down and stop. The gears will automatically drop down, one at a time when you release the button.
2. Press the Gear Down button to change to a lower gear. The gear indicator lights will turn off one at a time. This will reduce the speed of the car.
3. You can also press the brake button to stop the motions.

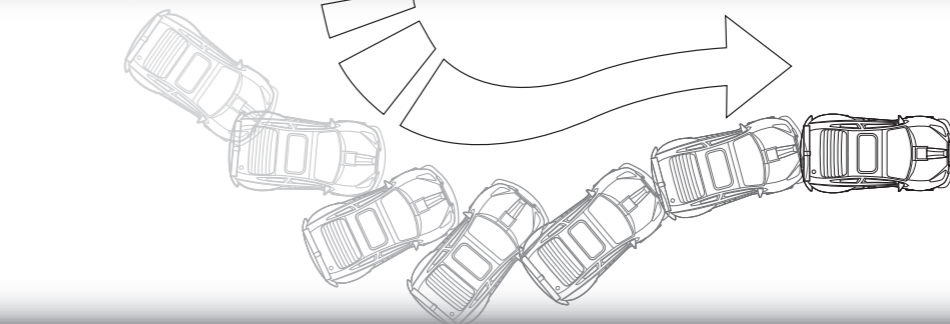
Steering Correction



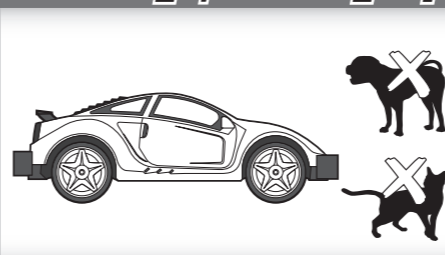
- If you find that the Real Driver™ steers to the left or right while driving forward or backward, use the Steering Alignment Knob to correct the steering.
- If the Real Driver™ steers to the left, turn the Steering Alignment Knob in a counter-clockwise direction.
- If the Real Driver™ steers to the right, turn the Steering Alignment Knob in a clockwise direction.

Remember that when you adjust the Steering Alignment Knob you are looking at the car from underneath so turning the knob left will make the Real Driver™ turn to the right and vice versa.

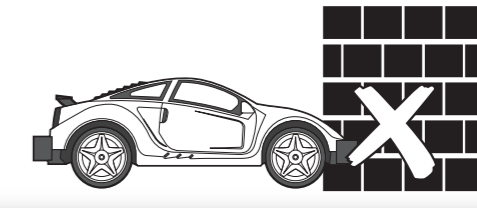
Drifting



Driving & Safety Tips:



The Real Driver™ is a high-performance RC vehicle. Care must be taken while driving it near other people or animals. Always drive the Real Driver™ where there is plenty of space to maneuver.



The bumpers will absorb a lot of impact but please avoid any direct collisions with heavy objects.