

miPosaur™



The Future of Prehistoric



USER MANUAL

ITEM NO.: 0890 / 0895





CONTENTS

INTRODUCTION	P.2
BATTERY INFORMATION	P.3 - 4
MIPOSAUR™ OVERVIEW	P.5 - 6
GETTING STARTED	P.7
PERSONALITY & MOODS	P.8
CURIOUS MOOD	P.8
EXCITED MOOD	P.9
ANNOYED MOOD	P.10
TRACKBALL	P.11
TRACKBALL AND APP	P.12
Q & A	P.13
WARRANTY	P.14

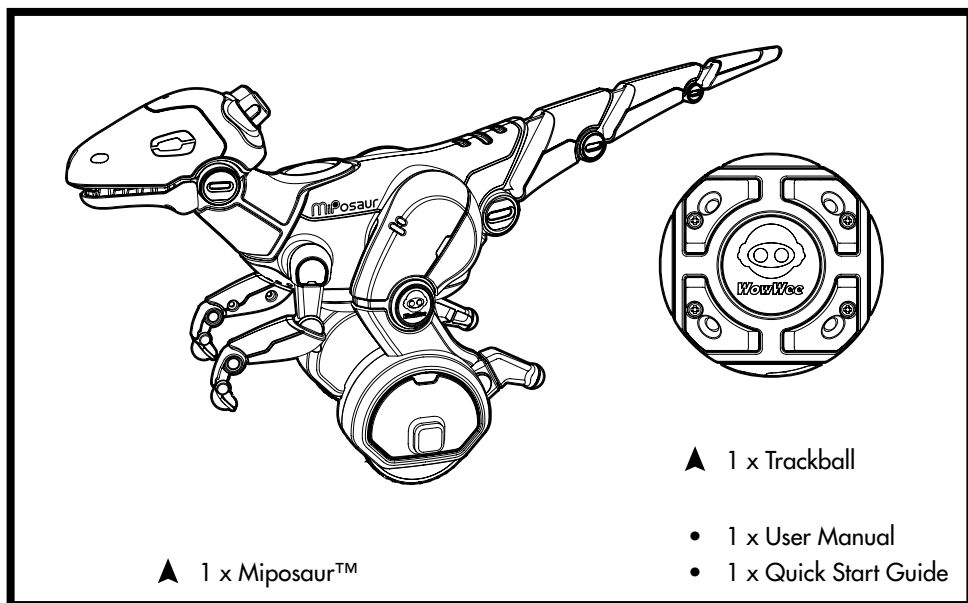


INTRODUCTION

Thank you for purchasing Miposaur™ by WowWee™!

Meet Miposaur™, your new gesture tracking, self-balancing robotic creature! Out of the box, this intelligent robotic creature has an impressive blend of character and technology. Miposaur™ has an incredible evolving intelligence and personality, and an ability to sense its own surroundings and environment. Interact with Miposaur™ and it will respond in a unique and lifelike way! Take control, interact, and play with Miposaur™ in many ways; through Gesture Sense™ technology, use Beacon Sense™ via the Trackball, or a Bluetooth® Smart-Ready™ enabled mobile device.

Take a few minutes to look through this user manual and get Miposaur™ ready to go.

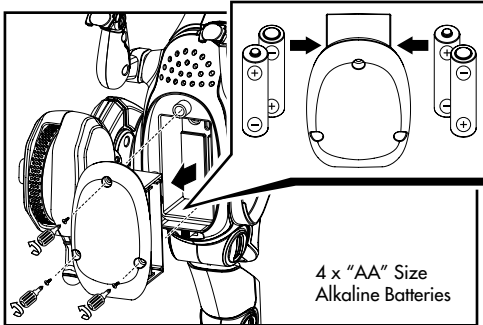


Please note the following when operating Miposaur™:

- Do not immerse Miposaur™ or any parts in water or any other form of liquid.
- Do not drop, throw, or kick Miposaur™ as this may damage mechanical functions.
- Do not allow the robot to roam freely or leave unattended near edges from which Miposaur™ could fall.
- Miposaur™ is intended for indoor use only.



BATTERY INFORMATION

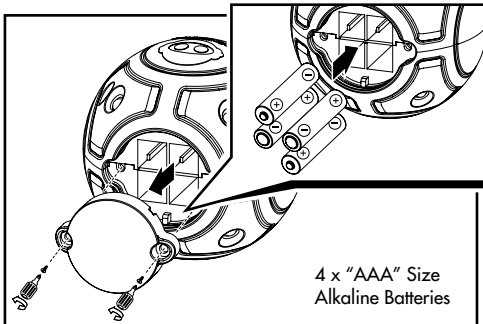


4 x "AA" Size
Alkaline Batteries

Miposaur™ Battery Diagram/Installation

Installing or changing batteries in Miposaur™:

1. To change the batteries, carefully lay Miposaur™ on its side. Miposaur™ requires 4 x "AA" size alkaline batteries (not included).
2. Using a Phillips screwdriver (not included) remove the screws on the battery compartment cover located on the bottom of the robot.
3. Insert the batteries according to the diagram. Ensure that the positive and negative polarities match the illustrations inside the battery compartment.
4. Replace the battery compartment cover and tighten screws using the screwdriver. Do not over-tighten.



4 x "AAA" Size
Alkaline Batteries

Trackball Battery Diagram/Installation

Installing or changing batteries in the Trackball:

1. Lay the Trackball so that the battery compartment faces upwards. The Trackball requires 4 x "AAA" size alkaline batteries (not included).
2. Using a Phillips screwdriver (not included) remove the screws on the battery compartment cover located on the back of the ball.
3. Insert the batteries according to the diagram. Ensure that the positive and negative polarities match the illustrations inside the battery compartment.
4. Replace the battery compartment cover and tighten screws using the screwdriver. Do not over-tighten.