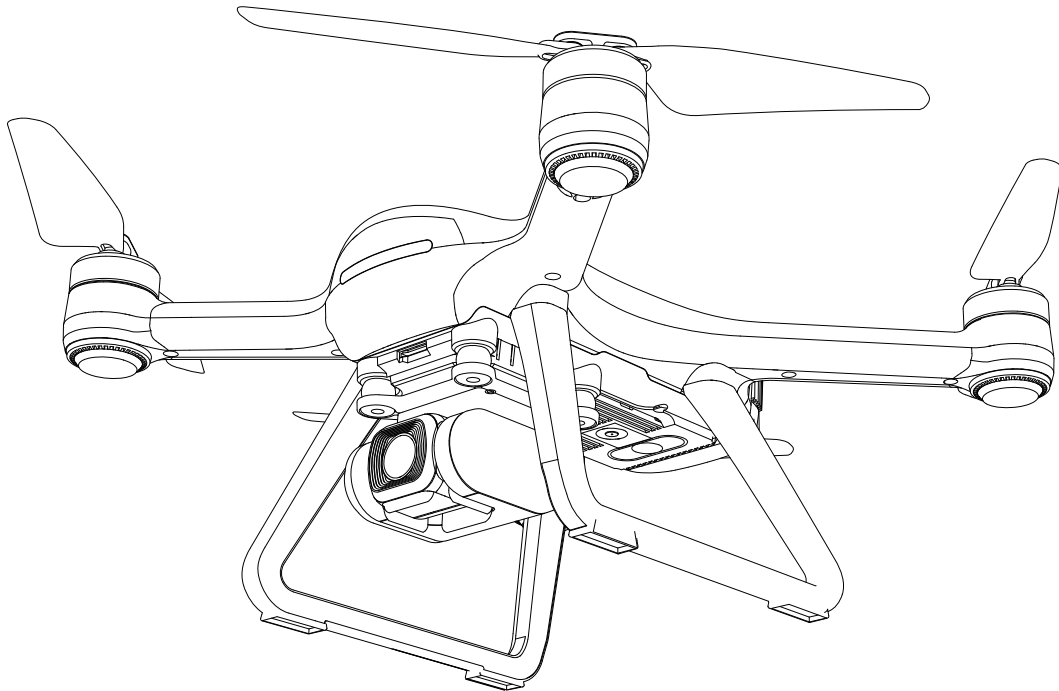




**16+**  
age

# Instructions For Use Gebrauchsanweisung Instrucciones de uso

V1.0



HS700E



+1(855) 888-6699



[www.holystone.com](http://www.holystone.com)



[usa@holystone.com](mailto:usa@holystone.com) (USA)  
[ca@holystone.com](mailto:ca@holystone.com) (CA)

[eu@holystone.com](mailto:eu@holystone.com) (EU)  
[es@holystone.com](mailto:es@holystone.com) (España)



English

01-44

Deutsch

45-85

Español

86-126

# Contents

1.0 Disclaimer&Warning .....	01
2.0 Safety Guidelines .....	01
3.0 Maintenance .....	05
4.0 Package Contents .....	06
5.0 Drone's Details .....	07
6.0 Transmitter Details	
6.1 Transmitter Functions .....	08
6.2 LCD Screen Functions .....	10
6.3 Low Battery Warning .....	10
6.4 Mode Switch .....	11
7.0 Installation	
7.1 Drone Battery .....	12
7.2 Propellers .....	13
7.3 TF Card .....	13
7.4 Transmitter Battery.....	14
7.5 Antenna .....	14
7.6 Phone Holder.....	15
8.0 Charging .....	16
9.0 Operation Guide	
9.1 Download APP .....	17
9.2 Connect to Wi-Fi .....	17
9.3 Paring .....	18
9.4 Initialization Detection .....	19
9.5 Calibrating the Compass .....	19
9.6 Unlocking .....	21
9.7 One Key Takeoff / Landing .....	22

10.0 Functions Details	
10.1 Camera Angle Adjustment .....	22
10.2 Return to Home .....	23
10.3 Optical Flow Positioning .....	26
11.0 APP Operation Instruction	
11.1 Operation Interface .....	28
11.2 Follow Me .....	29
11.3 Point of Interest .....	30
11.4 Headless Mode .....	31
11.5 TapFly .....	32
11.6 Take Photo/ Video .....	33
12.0 Drone Status Indicator .....	34
13.0 Specifications .....	35
14.0 Trouble Shooting .....	37
15.0 Contact Us .....	38
16.0 General Information .....	39

## **1.0 DISCLAIMER & WARNING**

1. Please read this Disclaimer & Warning and Safety Guidelines carefully before using our product. This product is not recommended for people under the age of 16. By using this product, you hereby agree to this disclaimer and signify that you have read it fully. You agree that you are responsible for your own conduct and any damaged caused while using this product, and its consequences . You agree to use this product only for purposes that are proper and in accordance with local regulations, terms and all applicable polices and guidelines Holy Stone may make available.

2. When using this product, please be sure to strictly abide by the specification requirements and safety guidelines stated in this document. Any personal injury property damage, legal disputes and all other adverse events caused by the violation of the safety instructions or due to any other factor, WILL NOT be Holy Stone's responsibility.

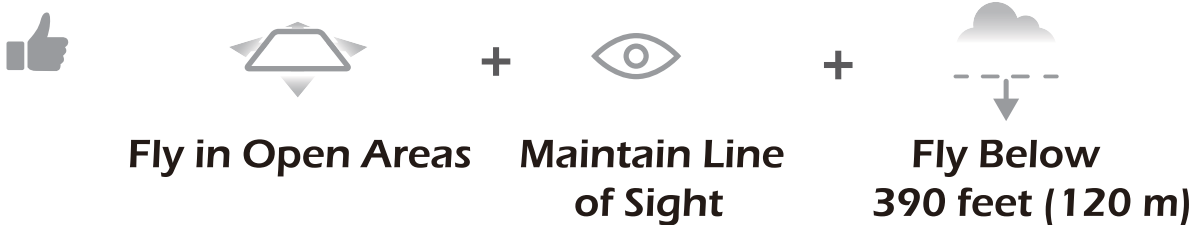
## **2.0 SAFETY GUIDELINES**

### **2.1 Check Before Use:**

- ① This product is a high precision drone that integrates various electronic stability and control mechanisms. Please be sure to setup this drone carefully and correctly to ensure safe, accident-free operation.
- ② Please be sure that the batteries of the drone and transmitter are clean, undamaged and, fully charged.
- ③ Please be sure that all the propellers are undamaged and are installed in the correct orientation.

④ Please do a thorough check of the product before each use. Inspect the integrity of the parts, any signs of cracks and wear of the propeller, battery power and effectiveness of the indicator, etc. If after doing a complete check any issues are found, please refrain from using the product until the issue has been resolved.

## 2.2 Flight Environment:



Avoid flying over or near obstacles, crowds, high voltage power lines, trees, airport or bodies of water.

DO NOT fly near strong electromagnetic sources such as power lines and base stations as it may affect the onboard compass.



Don't use this drone in adverse weather conditions such as rain, snow, fog, and wind.

## 2.3 Operation Requirements :

- ① Please don't use this product to follow any moving vehicles .
- ② During the flight, only turn off the motor in case of an emergency.
- ③ As battery becomes low return the drone back to your starting point.
- ④ This product should not be used while drinking alcohol, if you are feeling fatigued, taking medicine, or feeling any physical discomfort.
- ⑤ Beware of the noise volume the drone produces. Keep your distance to avoid ear damage.





- ⑥ **Stay away from the rotating propellers and motors.**
- ⑦ **Don't fly in the No-Fly Zone.**

## 2.4 Use of Battery:

- ① Please ensure batteries are fitted in the correct orientation as shown in the instruction manual.
- ② Avoid short circuits by fitting the batteries correctly, and do not crush or squeeze the batteries as this could carry the risk of an explosion.
- ③ Do not mix new and old batteries as this can lead to a poor performance of the product.
- ④ Dispose used batteries carefully, do not litter.
- ⑤ Please keep dead batteries away from heat and fire.
- ⑥ If the device is not going to be used for an extended period of time, remove batteries to prevent potential damage from battery leakage.



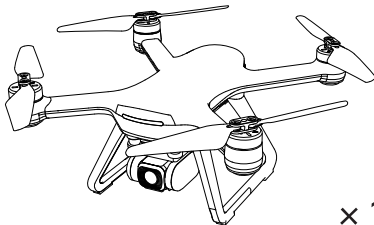
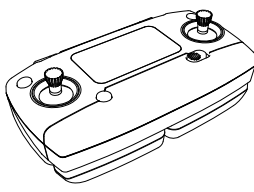
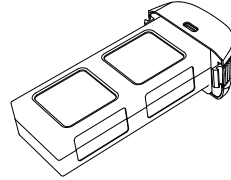
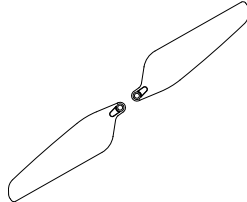
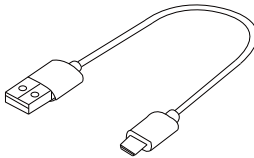
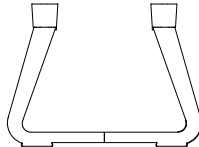
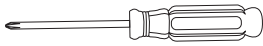

- ⑦ It is recommended to only use the USB charging cable that comes with the drone to charge the battery.
- ⑧ Don't connect the battery directly to wall outlets or car cigarette-lighter sockets.
- ⑨ Don't attempt to disassemble or modify the battery in any way.
- ⑩ Don't use the battery if it gives off an odor, generates heat, becomes discolored or deformed, or appears abnormal in any way. If the battery is in use or being charged, remove it from the device or charger immediately and discontinue use.
- ⑪ Don't pierce the battery casing with a nail or other sharp object, break it open with a hammer, or step on it!
- ⑫ Always charge the batteries in a fireproof container and away from combustible materials. Don't charge on surfaces that can catch fire. This includes: wood, cloth, carpet, or in the application's device.
- ⑬ Don't immerse the battery in water or allow it to get wet.
- ⑭ Don't solder battery terminal directly.
- ⑮ Keep battery out of reach of children or pets.
- ⑯ Don't short-circuit the battery by connecting wires or other metal object to the positive(+) and negative(-) terminals.

	<b>Li-Po Battery Disposal &amp; Recycling</b>	
Waste Lithium-polymer batteries must not be placed with household trash. Please contact local environmental or waste agency or the waste agency or the supplier of your model or your nearest Li-Po battery recycling center.		

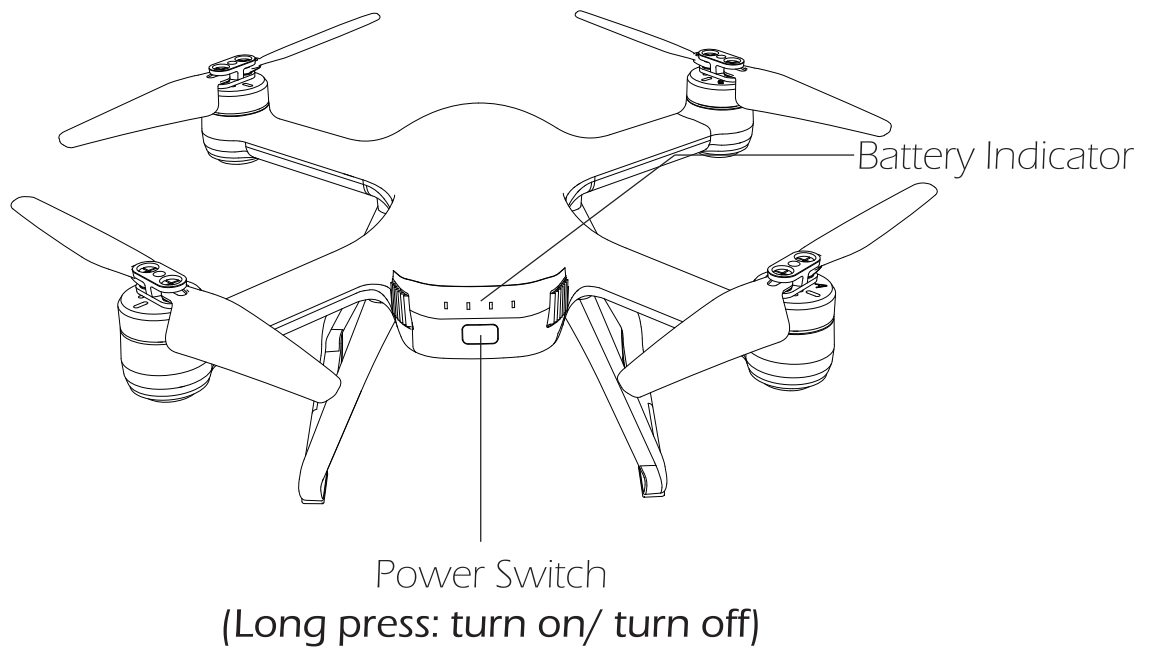
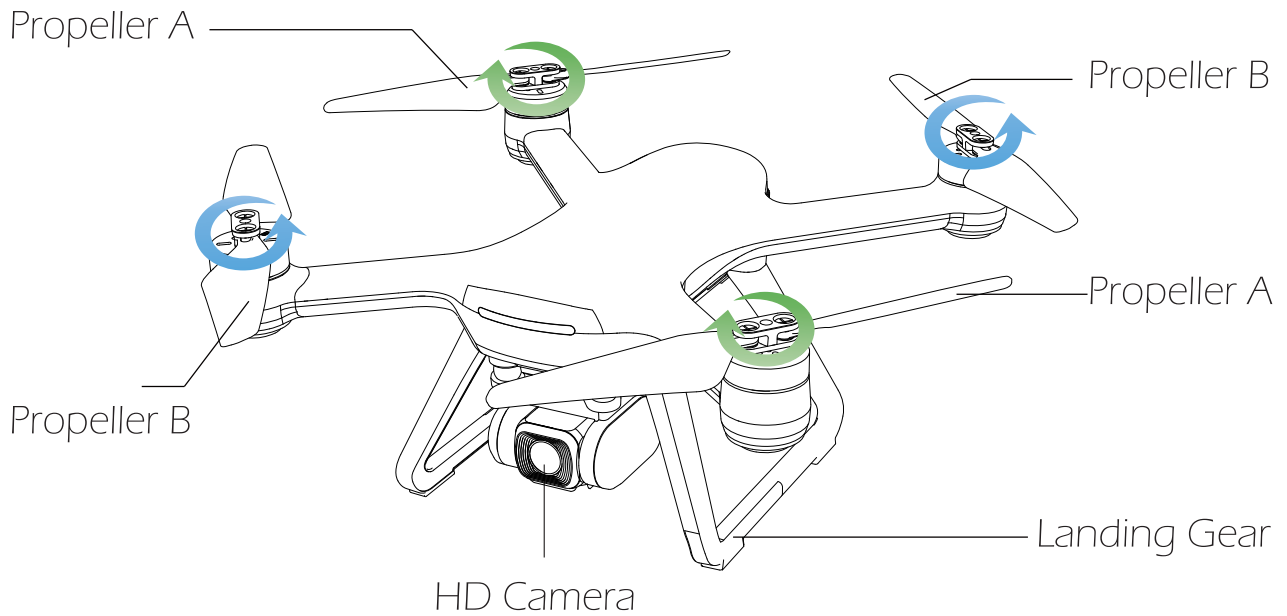
## 3.0 MAINTENANCE

- ① Clean the product after each use with a clean, soft cloth.
- ② Avoid prolonged exposure to direct sunlight and avoid buildup of heat on the drone.
- ③ This device is not waterproof and must not be submerged in water under any circumstance. Failure to maintain the device completely dry will result in the failure of the unit.
- ④ Check the charging plug and other accessories for signs of damage frequently. If any part of the device is damaged, refrain from flying until maintenance can be carried out.

## 4.0 PACKAGE CONTENTS

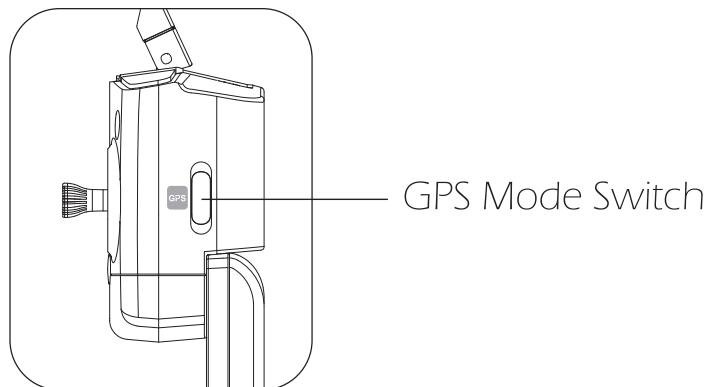
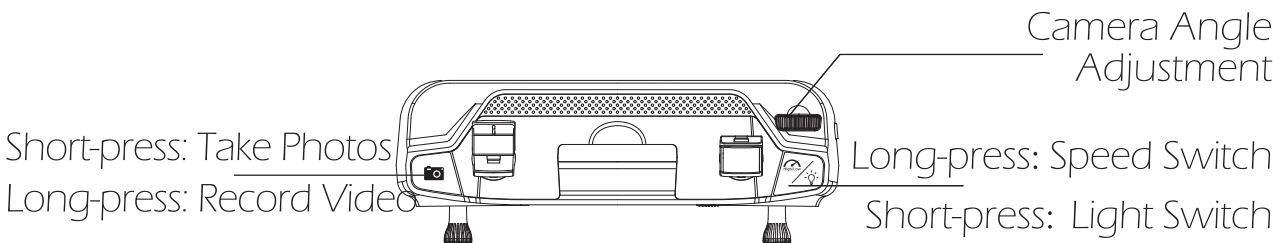
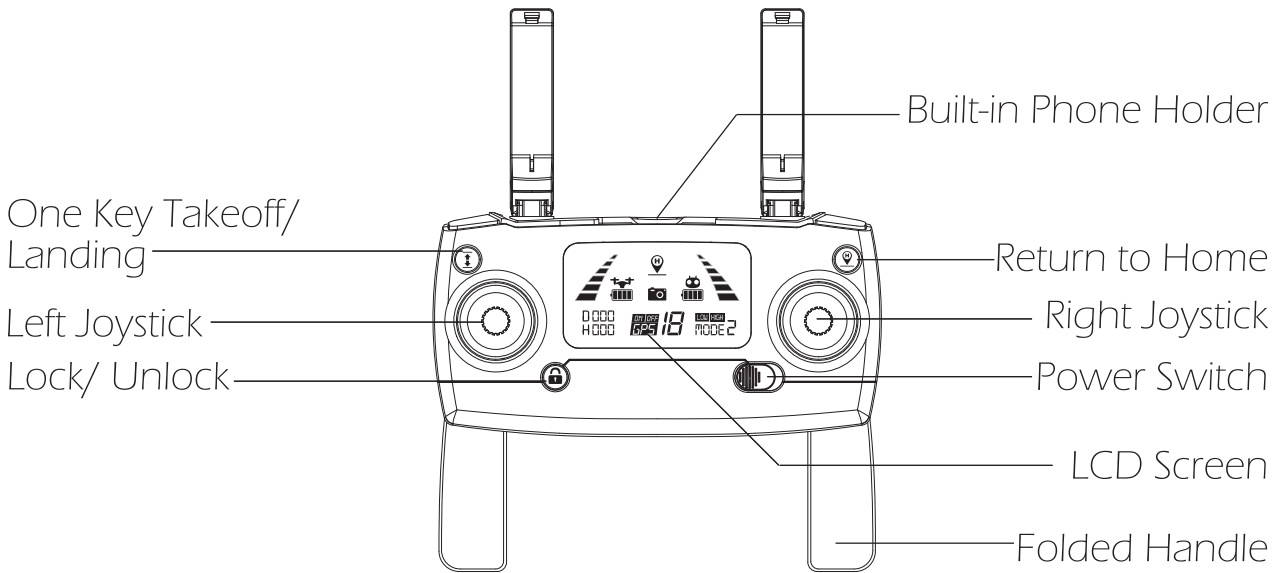
 <p style="text-align: right;">× 1</p>	 <p style="text-align: right;">× 1</p>	 <p style="text-align: right;">× 1</p>
<p style="text-align: center;">Drone</p>	<p style="text-align: center;">Transmitter</p>	<p style="text-align: center;">Drone Battery</p>
 <p style="text-align: right;">× 4</p>	 <p style="text-align: right;">× 1</p>	 <p style="text-align: right;">× 2</p>
<p style="text-align: center;">Propeller</p>	<p style="text-align: center;">USB Charging Cable</p>	<p style="text-align: center;">Landing Gear</p>
 <p style="text-align: right;">× 1</p>	 <p style="text-align: right;">× 1</p>	
<p style="text-align: center;">Screwdriver</p>	<p style="text-align: center;">Instructions For Use</p>	

## 5.0 DRONE'S DETAILS





## 6.0 TRANSMITTER DETAILS

### 6.1 Transmitter Functions



### • GPS Mode Switch


When turning on the transmitter, the default mode is the GPS Mode. Turn off GPS by sliding GPS switch. Check the icon “” or “” on the LCD screen to confirm GPS status.

### • Return to Home (RTH)

Press the button to start the RTH, the transmitter makes a beep sound and the drone will fly back to the recorded Home Point.


Press the RTH button again to exit RTH procedure and regain control of the drone.


### • Emergency Stop

Press and hold the button “” for 3 seconds, the motor will stop immediately.



**Attention:** The Emergency Stop function should only be used during emergency to avoid any damage or injury.

### • Photo/ Video

Short press the button and the camera icon “” on the LCD screen flashes once, the camera takes one photo.

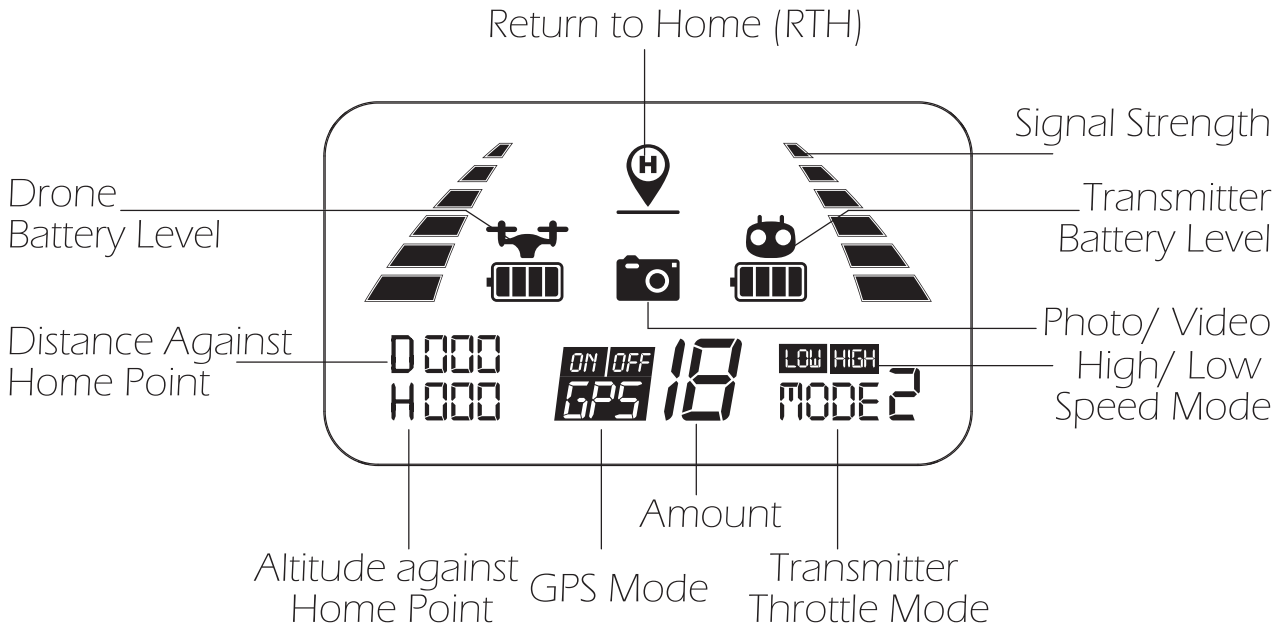
Long press the same button, the video icon “” on the LCD screen flashes slowly the camera is taking video. Long press again will exit shooting.

### • Speed Switch

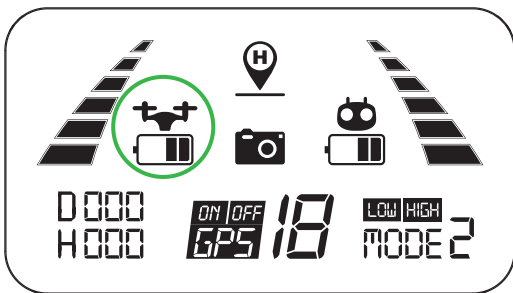
Long press the button “” in the upper right corner, the LCD screen showing “”, and you will hear a beep, which means the drone is at the low speed.

Long press the button “” again, the LCD screen showing “”, and you will hear two beeps, which means the drone is at the high speed.

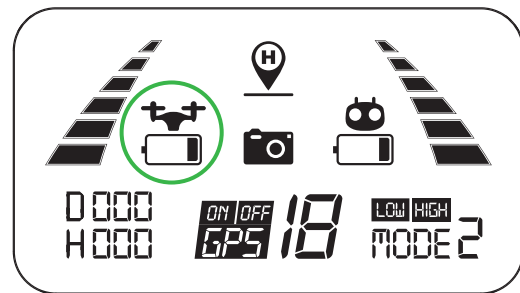
## 6.2 LCD Screen Functions



## 6.3 Low Battery Warning



Pic. 1

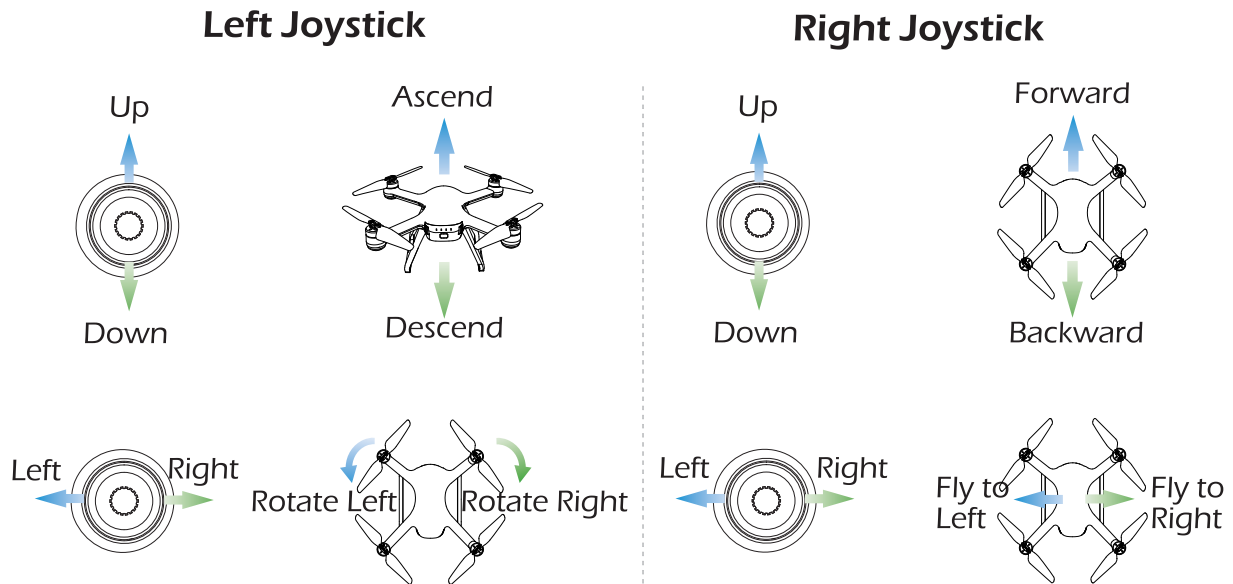


Pic. 2



1. When the battery icon “” is shown on the LCD screen or on the APP (Pic. 1), and the drone front lights glow solid on and the rear lights keep flashing slowly, it means that the battery is nearly low voltage.
2. When the battery icon “” is shown on the LCD screen or on the APP (Pic.2), and the drone front lights glow solid on and the rear lights keep flashing rapidly, it means that the battery is in low voltage.

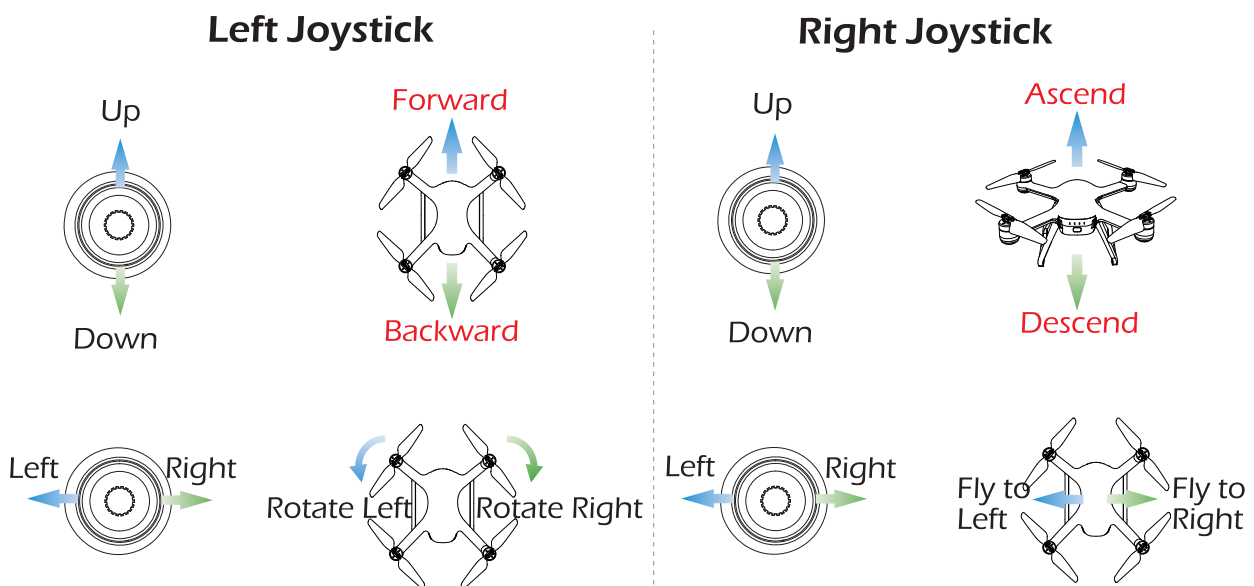
## 6.4 Mode Switch

### 6.4.1 MODE 2 (Left hand throttle MODE 2 will be default setting.)



### 6.4.2 MODE 1

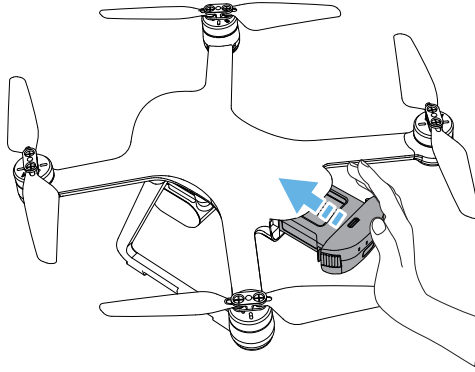
- ① Hold down the “  ” and then turn on the power switch.
- ② Press the “  ” button for 3 seconds to enter MODE 1.





## 7.0 INSTALLATION

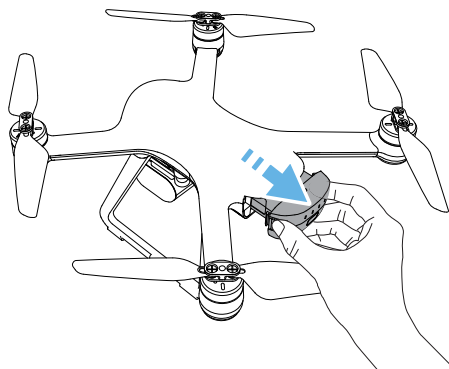
### 7.1 Drone Battery



**Installation:** Push the battery into the battery compartment at the rear of the drone. Make sure that you hear a click sound indicating the battery is firmly installed.

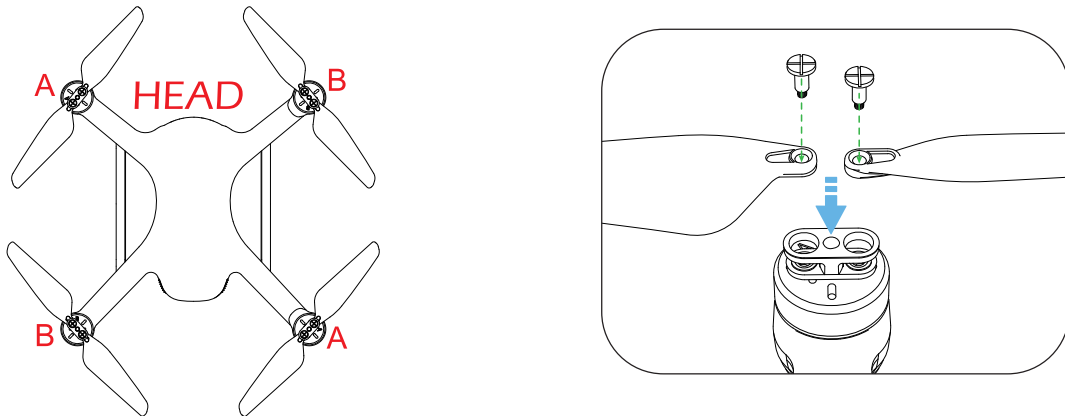
**Attention:**

- The battery should be installed firmly, failure to do so may affect the flight safety of your drone. The drone may crash due to power-cut during the flight.



**Removal:** Remove the battery by pressing and holding on both sides of the battery and pulling it out.

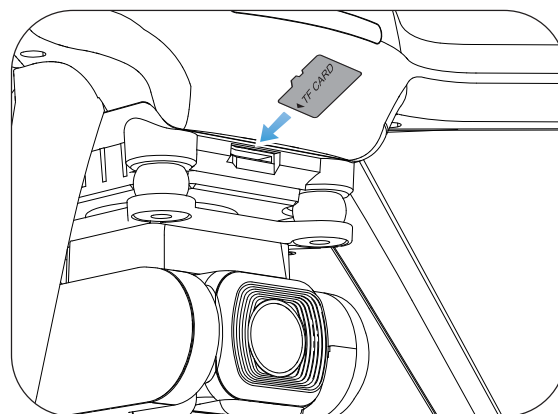
## 7.2 Propellers



The drone will not fly unless the correct propeller is installed on the correct motor shaft. See illustration above. An “A” or “B” is printed on each propeller. Lock the propeller to the motor shafts with screws rotating each screw clockwise.

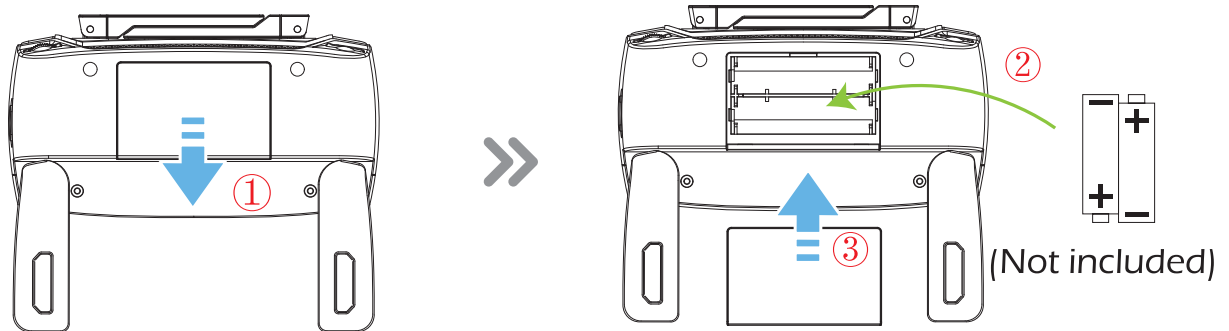
---

## 7.3 TF Card



To store your photos and videos, insert the TF card (not included) into the slot as shown above before turning on the drone. The drone supports TF card up to 128 GB.

## 7.4 Transmitter Battery



Step 1: Unfold the hand sticks and open the battery cover.

Step 2: Install 2\*AA batteries into the battery compartment according to the given polarity.

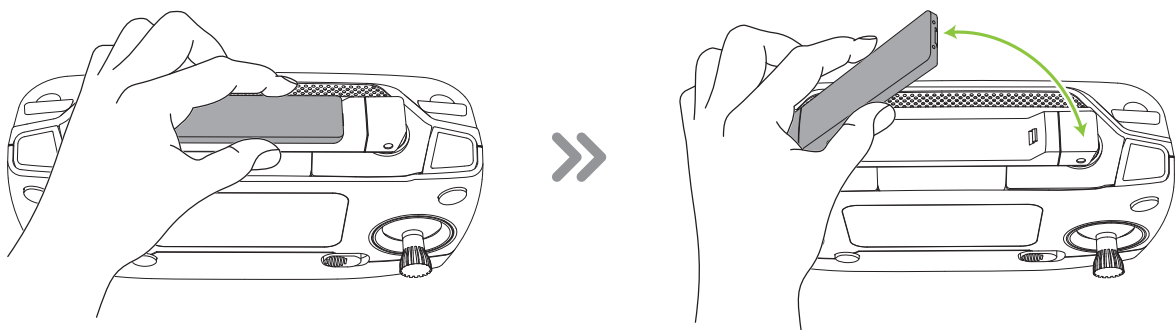
Step 3: Close the battery compartment .



- Insert batteries with correct polarity.
- Do not mix old and new batteries.
- Exhausted batteries are to be removed from the transmitter.

---

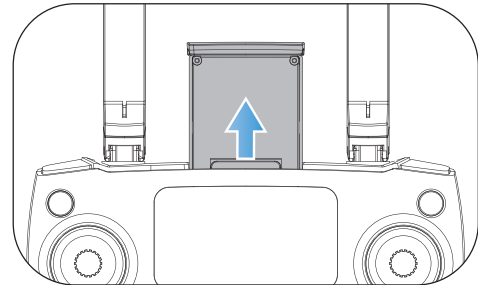
## 7.5 Antenna



There is a buckle on the antenna, please follow the steps shown above to open the antenna.

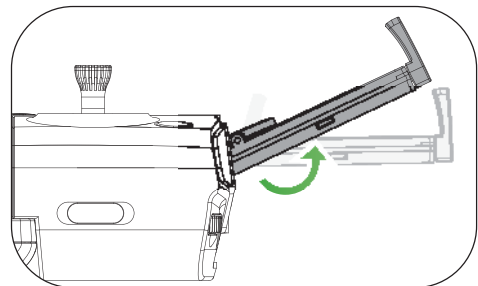
## 7.6 Phone Holder

1. Pull out the mobile phone holder upwards completely (Pic. 3).



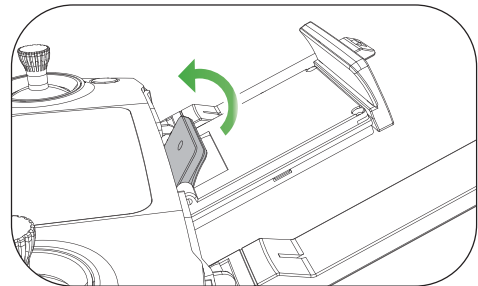
Pic. 3

2. Tilt the holder 30 degrees towards you and then you will hear a click sound (Pic. 4).



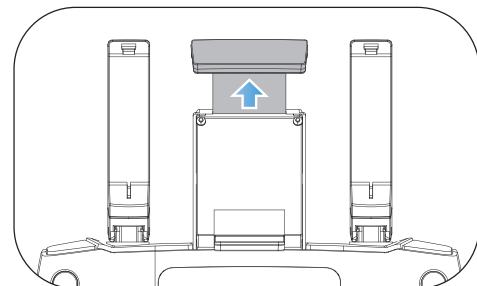
Pic. 4

3. Rotate and fix the support board in place (Pic. 5).



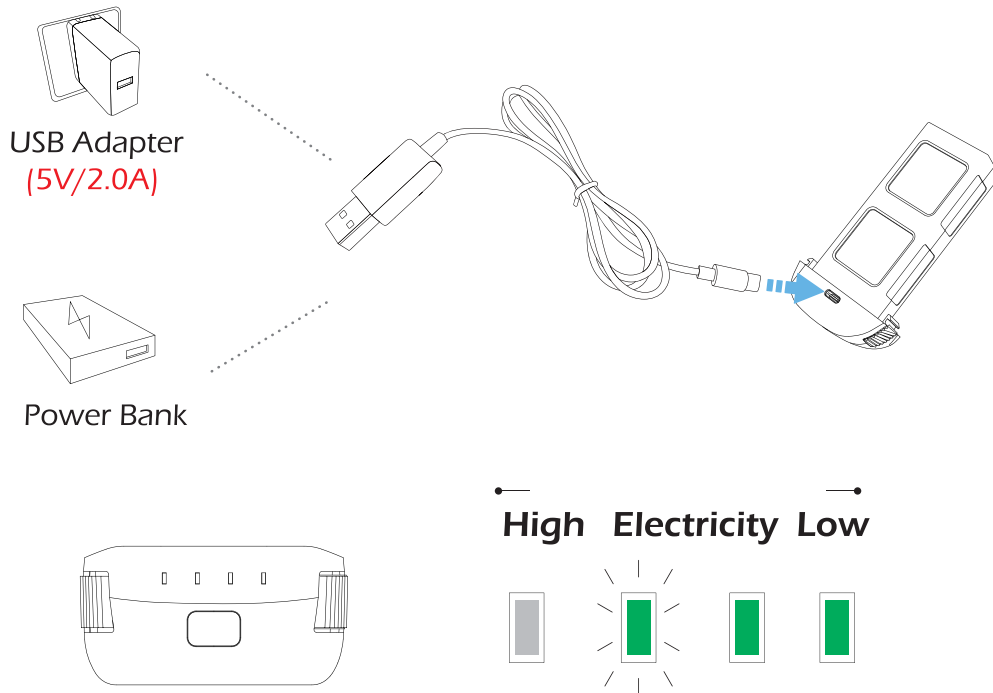
Pic. 5

4. Adjust the mobile phone holder upward or downward according to the size of your mobile phone (Pic. 6).



Pic. 6

## 8.0 CHARGING



- ① Connect the Battery to the USB Charging Cable.
- ② Connect the USB Charging Cable with Power Bank or a USB Adapter (5V/ 2.0A ) for charging.
- ③ When the battery is charging, the indicator lights on the battery will flash green.
- ④ When the battery is full charged, all four green indicators on the battery will turn solid.
- ⑤ The charging time is about 5 hours.



· Before charging, please check the contents of the “ **Use of Battery**” section of the “ **Safety Guidelines**” carefully!

## 9.0 OPERATION GUIDE

### 9.1 Download APP



iOS



Android APP on Google play

Scan the QR code, corresponding to either App Store™ or Google Play™ Store and download the **Ophelia GO** app for free.

### 9.2 Connect to Wi-Fi



Connect your smart phone to the Wi-Fi network created by the drone. Check the drone's status in the **Ophelia GO** app.

- ① Your smartphone will launch a search of the available Wi-Fi networks:
- ② Select the Wi-Fi network: **HolyStoneEIS-\*\*\*\*\***.
- ③ Wait for several seconds until your smartphone connect to the Wi-Fi network of the drone.

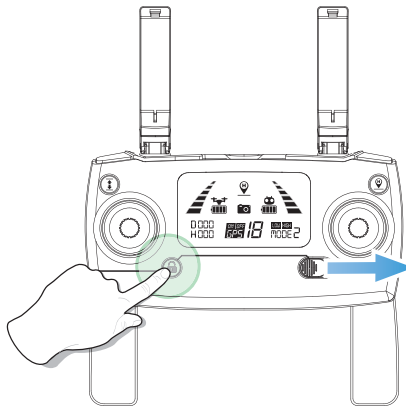
*This connection is generally represented by the Wi-Fi logo appearing on your smartphone's screen.*



- ④ Launch the **Ophelia GO** application.

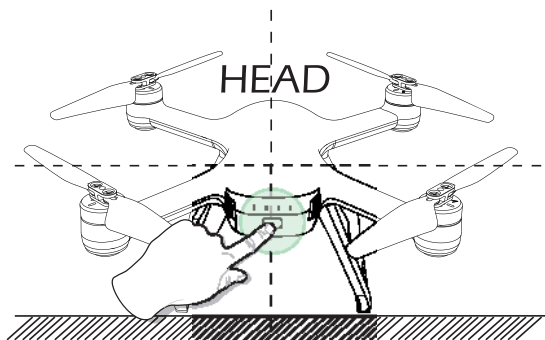
> The connection between your smartphone and the drone will be established automatically.

All of the operations shown in this manual are demonstrated using MODE 2.


## 9.3 Pairing



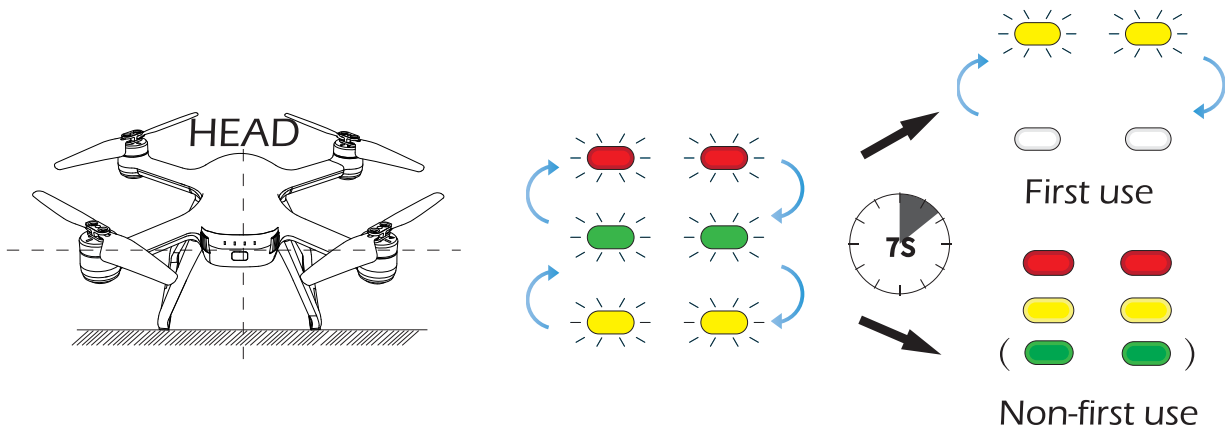
① Simultaneously hold the “” button and slide the power switch to the right to power on the transmitter. It will beep 2 times and the signal icon “” will keep flashing.



② Long press the Power Switch to turn on the drone, and place it on a level surface with the head forward.

③ Once the transmitter sends out a long beep sound and the signal icon “” is shown on the LCD screen, it means that the drone has been successfully paired with the transmitter.

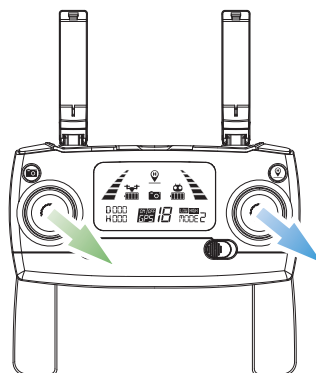
## 9.4 Initialization Detection



Place the drone on the level surface and it will enter the Initialization Detection. The red, green and yellow lights of the drone will alternate flickering for about **7 seconds** to complete the initial detection. When the transmitter sends out “Di Di”, the drone can be divided into two states:

- **First use:** the indicator lights turn yellow and flash alternately.
- **Non-first use:** the indicator lights change to the front red lights and the rear yellow (green) lights.

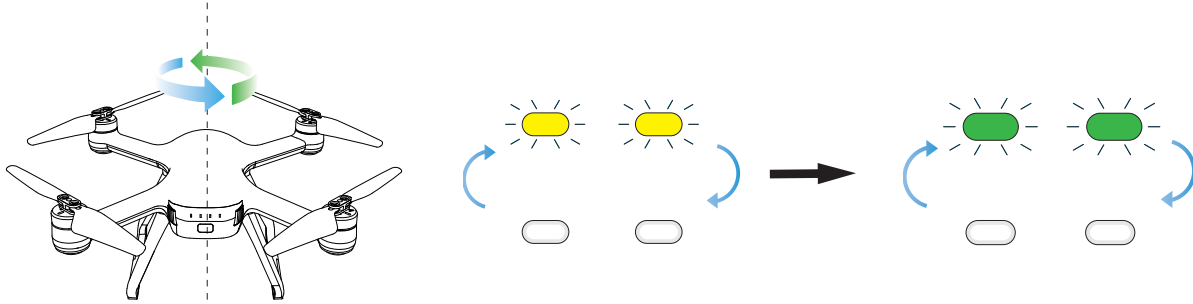
## 9.5 Calibrating the Compass



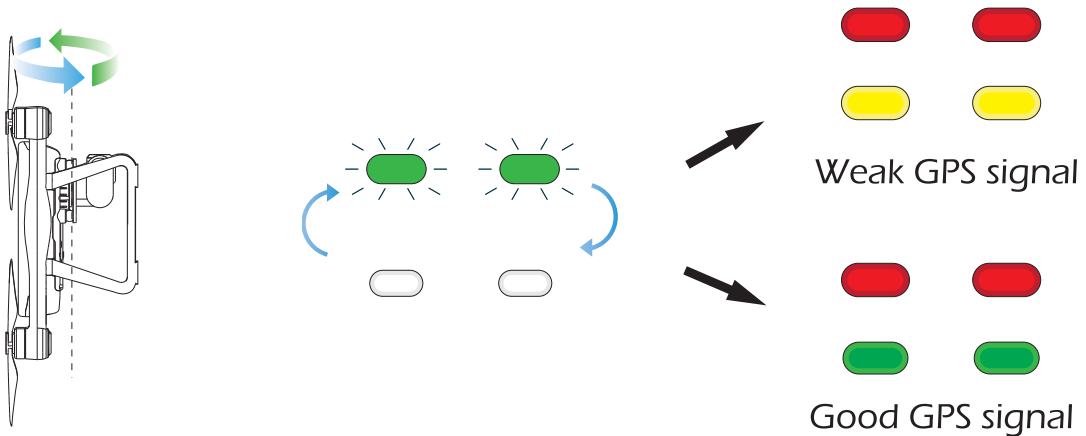
**Step 1:** As shown in the figure above, push both of the joysticks down to the bottom right at the same time to enter the compass calibration.



When the “✈️” icon appears on the LCD screen in the state of slow flashing and the indicator lights turn yellow alternately, it indicates that the drone can start compass calibration.



**Step 2:** Hold the drone horizontally and rotate the drone in 3 complete circles. When completed the green lights will flash.



**Step 3:** Hold the drone vertically and rotate the drone in 3 complete circles. When completed the front red lights and rear yellow lights will turn solid and “✈️” on the LCD screen changes from slow flash to disappear.

**Attention:**

· To ensure a stable flight, we recommend that pilots perform a compass calibration before each flight.