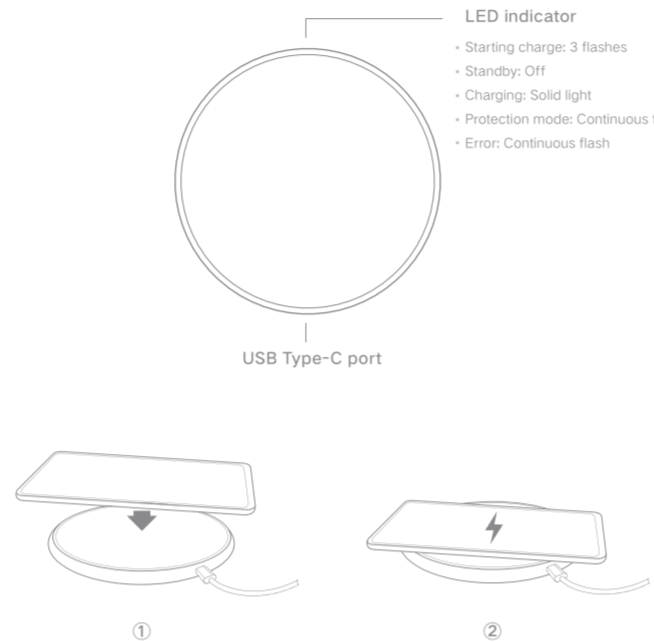



 <p style="text-align: center;">Mi Wireless Charger Quick start guide</p>	 <p>LED indicator</p> <ul style="list-style-type: none"> Starting charge: 3 flashes Standby: Off Charging: Solid light Protection mode: Continuous flash Error: Continuous flash <p>USB Type-C port</p> <p>① ②</p>	<p>How to use the Mi Wireless Charger</p> <ul style="list-style-type: none"> Connect Mi Wireless Charger to a power adapter. Place a mobile device with Qi standard charging on Mi Wireless Charger. Remove the mobile device from Mi Wireless Charger once it is fully charged. Use only Mi authorized power adapters (5V/2A, 9V/2A). <ul style="list-style-type: none"> Do not place any foreign objects between the mobile device and Mi Wireless Charger, such as metal objects, magnets, cards with magnetic stripes, etc. These may prevent the mobile device from charging or cause damage due to overheating. Mi authorized power adapters sold separately. <ul style="list-style-type: none"> Ensure the power adapter is securely connected to the USB Type-C port during charging. Not all mobile devices will be properly charged, based on the location of the charging coil. Mi Wireless Charger may not function properly for mobile devices with thick protective cases. Remove thick cases before charging your mobile device with Mi Wireless Charger. Mi Wireless Charger may not work properly if the mobile device has wired audio devices connected. Fast wireless charging <ul style="list-style-type: none"> Place a mobile device with Qi standard charging on Mi Wireless Charger. Use only Mi authorized power adapters that support fast charging (MDY-08-EI/MDY-08-EJ/MDY-08-EY series 18W QC3.0 chargers). <p>Mi Wireless Charger is Wireless Power Consortium (WPC) Qi certified and is compatible with WPC certified devices. However, please be advised that non-Xiaomi smartphones may get lower charging efficiency compared to Xiaomi smartphones.</p>
---	---	--

<p>Correct disposal</p>  Correctly dispose of this product. This marking indicates that this product should not be disposed with other household wastes throughout the EU. To prevent possible harm to the environment or human health from uncontrolled waste disposal, recycle responsibly to promote the sustainable reuse of material resources. To safely recycle your device, please use return and collection systems or contact the retailer where the device was originally purchased. <p>For indoor use only</p>  To identify electrical equipment designed primarily for indoor use. <p>Direct current</p>  To indicate on the rating plate that the equipment is suitable for direct current only; to identify relevant terminals. <p>EU Regulations</p> <p>RED Declaration of Conformity</p> <p>We, Xiaomi Communications Co., Ltd.</p> <p>Hereby, Xiaomi Communications Co., Ltd. declares that this Mi Wireless Charger with Qi MDY-09-EF is in compliance with the essential requirements and other relevant provisions of the RE Directive 2014/53/EU. The full text of the EU declaration of conformity could be consulted at www.mi.com/en/certification</p> <p>Manufacturer: The Rainbow City of China Resources, NO.68, Qinghe Middle Street, Haidian District, Beijing, China 100085</p> <p>Frequency Bands and Power</p> <p>This Mi Wireless Charger offers the following frequency bands in EU areas only and maximum radio-frequency power:</p> <p>Qi: 111-148kHz ≤ 11.73dBuA/m at 10 m Distance</p>	<p>FCC Regulations</p> <p>This Mi Wireless Charger complies with part 15 of the FCC Rules. Operation is subject to the following two conditions: (1) This device may not cause harmful interference, and (2) this device must accept any interference received, including interference that may cause undesired operation.</p> <p>This Mi Wireless Charger has been tested and found to comply with the limits for a Class B digital device, pursuant to Part 15 of the FCC Rules. These limits are designed to provide reasonable protection against harmful interference in a residential installation. This equipment generates, uses and can radiate radio frequency energy and, if not installed and used in accordance with the instructions, may cause harmful interference to radio communications. However, there is no guarantee that interference will not occur in a particular installation. If this equipment does cause harmful interference to radio or television reception, which can be determined by turning the equipment off and on, the user is encouraged to try to correct the interference by one or more of the following measures:</p> <ul style="list-style-type: none"> Reorient or relocate the receiving antenna. Increase the separation between the equipment and receiver. Connect the equipment into an outlet on a circuit different from that to which the receiver is connected. Consult the dealer or an experienced radio/TV technician for help. <p>FCC Note</p> <p>Changes or modifications not expressly approved by the party responsible for compliance could void the user's authority to operate the equipment.</p> <p>Important safety information</p> <p>Read all the safety information below before using your device.</p> <p>Use only authorized accessories which are compatible with your device.</p> <p>This device's operating temperature range is 0°C-35°C. Using this device in the environments outside of this temperature range may damage the device.</p> <p>After charging is complete, disconnect the adapter from both the device and the power outlet. Do not charge the device longer than 12 hours.</p> <p>Do not try to repair the device yourself. If any part of the device does not work properly, contact Mi customer support or bring your device to an authorized repair center.</p> <p>Connect other devices according to their instruction manuals. Do not connect incompatible devices to this device.</p>	<p>Safety precautions</p> <ul style="list-style-type: none"> Follow relevant laws and regulations. Do not use your device in the following environments. <ul style="list-style-type: none"> Do not use your device in a potentially explosive environments include fuelling areas, below decks on boats, fuel or chemical transfer or storage facilities, areas where the air contains chemicals or particles, such as grain, dust, or metal powders. Obey all posted signs to turn off wireless devices such as your device or other radio equipment. Do not use your device in the hospital operating rooms, emergency rooms, or intensive care units. Please consult your doctor and the device manufacturer to determine if operation of your device may interfere with the operation of your medical device. To avoid potential interference with the pacemaker, keep a minimum separation of 20 cm be maintained between the device and the pacemaker. To achieve this use the device on the opposite ear to your pacemaker and do not carry it in a breast pocket. Do not use your device near hearing aids, cochlear implants, etc to avoid interference with medical equipment. Do not use your phones in places with high humidity such as bathrooms. Doing so may result in electric shock, injury, fire, and charger damage. Observe any rules which restrict using mobile phones in specific cases and environments. <p>Temperature: 0 °C - 35 °C</p> <p>Xiaomi Communications Co., Ltd. Brand: Mi Model: MDY-09-EF FCC ID: 2AFZZ-MDY09EF All rights reserved by Xiaomi Inc.</p>
---	---	--

内页
金东太空梭 128g 无光铜，正背哑油
100x300mm
单页100x100mm

■ Pantone Cool Gray 8C