

TWINS STEREO BLUETOOTH EARBUDS INSTRUCTION MANUAL



PLEASE READ ALL INSTRUCTIONS
CAREFULLY AND RETAIN FOR FUTURE USE



In the Box

- Bluetooth earphones × 2pcs
- Charging case × 1pcs
- Micro USB Charging cable × 1pcs
- Instruction Manual × 1pcs
- Eartips × 3 pairs

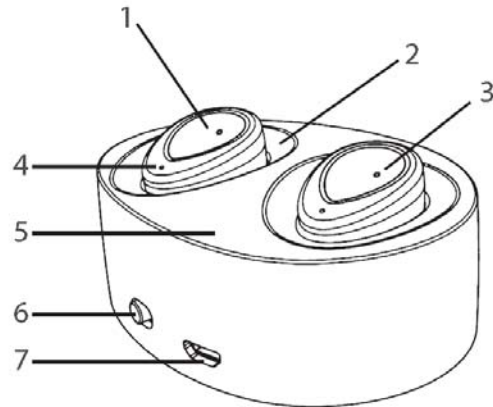
Safety Instructions

Read this manual carefully before putting the appliance into operation and keep this manual for future reference.

- Do not insert any metal object into the device.
- To avoid a static charge, do not use the device in an extremely dry climate.
- Do not attempt to repair the device yourself.

- Batteries (battery pack or batteries installed) shall not be exposed to excessive heat such as sunshine, fire or the like.

Buttons Function



- 1 MF (MF) / Phone button
- 2 Charging Slot
- 3 LED Light Indicator
- 4 Built-In Microphone

- 5 Charging LED Indicator
- 6 Charging Case Power ON/OFF Switch
- 7 Charging Port

Charging Instructions

The Charging Case and Bluetooth Earbuds come with a built in rechargeable battery. Before using it for the first time we recommend you charge the battery fully. Only use the supplied USB cable for charging.

To charge the Charging Case (without Bluetooth Earbuds inside the charging slots)

Connect the USB cable to a computer USB port or any USB charging source, and the Micro USB plug to the charging port of the Charging Case. The Charging LED indicator turns red to indicate that its built-in battery is being charged. It takes 1-2 hours for the case to charge fully. When the battery is fully charged, the LED light will turn blue..

To charge the Bluetooth Earbuds

1. After fully recharging the Charging Case, disconnect

the USB cable.

2.Put the Bluetooth Earbuds into the charging slots correctly and securely. See that the terminals built in the earbuds and in the case, stay in contact.

3.Slide the Power ON/OFF Switch on the Charging Case to ON position, the LED light indicator built in on the earbuds turn red to indicate that the battery is being charged. It takes 1-2 hours for the Earbuds to fully charge. When the battery is fully charged, the LED light will turn blue.

Charging case should be charged at least 2hours for first time use.

To turn on / turn off the bluetooth

1. Turn on: Press and hold the MF button for 4s untill the blue light up.

2. Turn off: Press and hold the MF button for 3s then the red lights up while they're working.

True Wireless mode pairing

1. 1.Press and hold the MF button on both Earbuds for 4-6 seconds simultaneously until the

LED flashes red and blue, then, short press the MF button on one unit twice to search and pair with the other unit.

2. After successful pairing and connecting, the LED light indicator on the host Earbud will flash red and blue, and the subordinate Earbud will flash blue slowly 1 time per cycle.

3. At this point, activate the Bluetooth function on your mobile device, and search for Bluetooth devices near you. Your mobile device should show one of "BTH-159" instead of two in list,

[This is the host Earbud. The reason you don't see (subordinate Earbud in the list of available devices is that it is already paired with the host Earbud. Choose it to start the stereo pairing function.

4. If required, enter the password '0000' to confirm & finalize pairing.

5. Once paired successfully, beep sound will be heard and the LED on both units will flash blue

slowly 1 time per cycle.

Pairing the single earbud with Bluetooth devices (phone or music device)

1. Press and hold the MF button for about 7s to turn on the bluetooth earbuds.. When the LED flashes blue and red , the Bluetooth earphones is ready for pairing.
2. Turn on your Bluetooth enabled device and activate the Bluetooth function. Search for the Bluetooth device, "BTH-159" will show up.
3. Pair your Bluetooth enabled device with BTH-159. If a password is needed, type in "0000". After the BTH-159 is paired with your device, connect it to your device.

Control a phone call via Bluetooth earbuds

Answer a call: Short press the MF button of the host earbud.

End a call: Short press again the MF button of the host earbud.

Reject a call: Press and hold the MF button of host earbud for around 2-3 seconds.

Redial the last number: Press twice the MF button of the host earbud.

Play or Pause: Click the MF button of the host earbud or subordinate earbud to control pause and play music.

Note: Other functions including volume increase/decrease, next/previous track, you may need to control through your source device.

Specifications

Bluetooth version	4.1
Bluetooth operating distance	10 meters (equal to 33 feet)
Frequency response	100Hz-20kHz
Earbud size	28*20*28 mm
Net weight	5g
Charging case size:	80*60*30 mm
Charging case weight:	45g
Built-In Battery	Bluetooth Earbud: 40mAh (each)
	Charging Case: 400mAh
Playback time	Music time approx. 2 hrs,

	talk time approx 3 hrs
Charging input power	DC 5V
Charging time	Approx 1 hours

Note: Battery life & charging time may vary, based on usage & types of devices used.

FCC Instructions

This equipment has been tested and found to comply with the limits for a Class B digital device, pursuant to Part 15 of the FCC Rules. These limits are designed to provide reasonable protection against harmful interference in a residential installation. This product generates, uses and can radiate radio frequency energy and, if not installed and used in accordance with the instructions, may cause harmful interference to radio communications.

However, there is no guarantee that interference will not occur in a particular installation. If the product does cause harmful interference to radio or television reception, which can be determined by turning the equipment off and on, the user is encouraged to try to correct the interference by one or more of the following measures :



- Reorient or relocate the receiving antenna.
- Increase the separation between the product and receiver.
- Connect the product into an outlet on a circuit different from that to which the receiver is connected.

This device complies with part 15 of the FCC Rules. Operation is subject to the following two conditions: (1) This device may not cause harmful interference, and (2) this device must accept any interference received, including interference that may cause undesired operation.

Note: modifications to this product will void the user's authority to operate this equipment.