

Bluetooth Headset



INSTRUCTION MANUAL

**PLEASE READ ALL INSTRUCTIONS CAREFULLY
AND RETAIN FOR FUTURE USE**

Getting Started

- Remove the product from the box.
- Remove any packaging from the product.
- Please retain all packaging after you have checked and counted all the parts and the contents against the list.

Package Contents

- 2pcs Bluetooth Earbuds (1pc left and 1pc right)
- 1pc USB Charging Cable (with 2 Micro USB outputs)
- 2 different sizes of ear tip included
- Instruction Manual

Features

- DUO – True Wireless Bluetooth Stereo Earbuds
- Sports design – secure-fit for your ears
- Works on Android or Apple devices
- Built-in microphone for hands-free calls
- Pure stereo wireless sound
- Bluetooth version: 4.2

Safety Instructions

Keep the unit away from heat sources, direct sunlight, humidity, water and any other liquids.

Do not operate the unit if it has been exposed to water, moisture or any other liquids to prevent against electric shock, explosion and/or injury to yourself and damage to the unit.

Do not use the unit if it has been dropped or damaged in any way.

Repairs to electrical equipment should only be performed by a qualified electrician. Improper repairs may place the user at serious risk.

Do not use the unit with wet hands.

Do not put objects into any of the openings.

Keep the unit free from dust, lint etc.

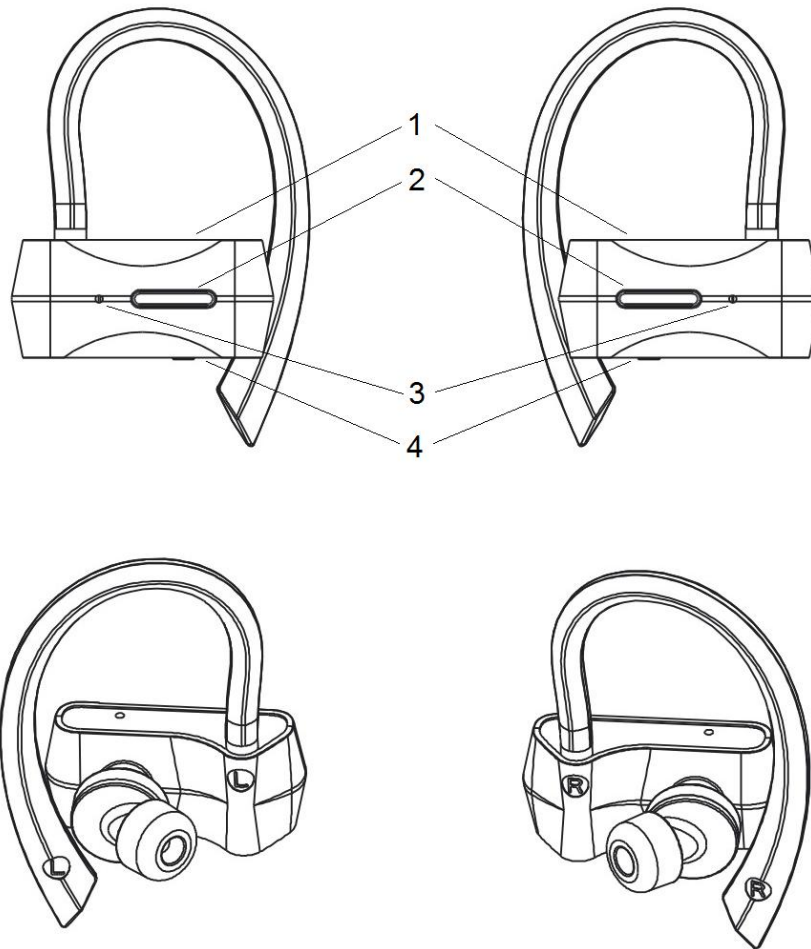
Do not use this unit for anything other than its intended use.

Keep the unit out of reach of children.

This product is not a toy.

Do not use the headset at excessive volume levels, as damage to hearing may occur.

Description of Parts:



1	Built-In Microphone
2	MF (Multi-Function) / Phone button
3	LED Light Indicator
4	Charging Slot

INSTRUCTIONS FOR USE

Charging Instructions

The Bluetooth Earbuds come with a built in rechargeable battery. Before using it for the first time we recommend you charge the battery fully. Only use the supplied USB cable for charging.

To charge the Bluetooth Earbuds

1. Connect the USB charging cord (included) to the DC 5V charging port of either one speaker and insert the other end into a port on your computer or similar power source.
2. Red LED glows indicating that the battery is being charged. Once it is fully charged, the Red LED will turn to Blue. It will take about 2 hours to fully charge the battery.

Turning on/off the Bluetooth Earbuds

Press and hold the **MF** button for about 2-6 seconds to turn on, or 4-6 seconds to turn off the device.

Pairing either one Bluetooth Earbud with Bluetooth devices (phone or tablet that support call-answering)

- Ensure the Bluetooth Earbud is turned off, then press and hold the **MF** button for about 2-6 seconds to turn on, you would hear voice messages “Power ON”, then an indication tone and the LED flashes red and blue.
- Place the Bluetooth Earbud and Bluetooth device (phone or tablet that support call answering) no further than 3 feet apart from each other;
- Activate the Bluetooth function on your mobile device. Please refer to the manufacturer’s instructions for instructions on enabling Bluetooth on your device.
- Once you have activated Bluetooth on your mobile device, select the “**itek TWS Earbuds**” from the list of available Bluetooth devices.
- If required, enter the password ‘0000’ to confirm & finalize pairing.
- Once paired successfully, another indication tone would be heard and the LED will flash blue slowly.
- You can now start to use the Earbud.
- If pairing is unsuccessful, turn off the device first and then re-pair following the above steps.
- Once you have paired the Bluetooth Earbud with a mobile device, the Earbud will remember this mobile device and will pair automatically when its Bluetooth is activated within the range, during subsequently pairing. You do not need to re-pair any previously connected devices.
- The Bluetooth Earbud will attempt to automatically connect to the last device it was paired with when switched on. If you want to pair it with a new device, please follow the steps outlined above.

Making a call with the Bluetooth Earbud in Bluetooth mode

Basic operation

Function	Operation	Button
Answer incoming call	Incoming Call	Short press the Phone button to answer an incoming call.
Reject Incoming Call	Incoming Call	Short press the Phone button twice
End call	Incoming Call	After your phone conversation, Short press the Phone button
Redial last number	Standby mode and connected to a device	Short press the Phone button twice

Listening to Music Wirelessly

Please ensure that your device (iPhone, Tablet or Other Smart Phone) is paired with the Bluetooth Earbud to stream music wirelessly. Once it is paired, play music from your device.

Function	Operation	Button
Pause	Playing music	Short press the MF button will pause the music
Play	Pausing	Short press the MF button will resume the music

Note: Other functions including volume increase/decrease, next/previous track, you may need to control through your source device.

Connecting two Earbuds and a Bluetooth device for Stereo pairing function

Activate the stereo pairing function:

1. For connecting the two Earbuds first, press and hold the **MF** button on both Earbuds for 2-6 seconds simultaneously, you would hear voice messages "Power ON", then an indication tone from each Earbud and the LED flashes red and blue. Short press the **MF** button on the left Earbud twice, if you would like to use the left Earbud as the host Earbud [*Or short press the **MF** button on the right Earbud twice, if you would like to use the right Earbud as the host Earbud.] Two Earbuds will connect with each other automatically in a short time. Voice messages "Searching for slave" from the host Earbud, then "Left Channel" and "Right Channel" would be heard from the left and right Earbuds respectively and separately.
2. After successful connecting, the LED light indicator on the host Earbud will flash red and blue, and the subordinate Earbud will flash blue slowly.
3. At this point, activate the Bluetooth function on your mobile device, and search for Bluetooth devices near you. Your mobile device should show one of "**itek TWS Earbuds**" instead of two in list, (This is the host Earbud. The reason you don't see the subordinate Earbud in the list of available devices is that it is already paired with the host Earbud). Choose it to start the stereo pairing function.
4. Once paired successfully, an indication tone would be heard from the host Earbud and the LED on both units will flash blue.

Making a call with the Bluetooth Earbuds in Stereo pairing mode

Basic operation

Function	Operation	Button
Answer incoming call	Incoming Call	Short press the Phone button of one Earbud to answer an incoming call.
Reject Incoming Call	Incoming Call	Short press the Phone button of one Earbud twice
End call	Incoming Call	After your phone conversation, short press the Phone button of one Earbud

Redial last number	Standby mode and connected to a device	Short press the Phone button of one Earbud twice
--------------------	--	---

Note: only the host Earbud uses for actual phone conversation.

Listening to Music Wirelessly in Stereo pairing mode

Please ensure that your device (iPhone, Tablet or Other Smart Phone) is paired with the Bluetooth Earbuds to stream music wirelessly. Once it is paired, play music from your device.

Function	Operation	Button
Pause	Playing music	Short press the MF button of one Earbud will pause the music
Play	Pausing	Short press the MF button of one Earbud will resume the music

Note: Other functions including volume increase/decrease, next/previous track, you may need to control through your source device.

Care and Maintenance

Read the following recommendations before using the Bluetooth Earbuds. Following these you will be able to enjoy the product for many years.

- Do not expose the Bluetooth Earbuds to liquid, moisture or humidity to avoid the product's internal circuit being affected.
- Don't use abrasive cleaning solvents to clean the device.
- Do not expose the device to extremely high or low temperature as this will shorten the life of electronic devices, destroy the battery or distort certain plastic parts.
- Don't dispose of the device in a fire as it will result in an explosion.
- Don't expose the device to contact with sharp objects as this will cause scratches and damage.
- Don't let the device fall on the floor. The internal circuit might get damaged.
- Don't attempt to disassemble the device as it may get damaged if you are not professional.

Specifications

Bluetooth version	4.2
Operating distance	10 meter
Working time	Music: up to 3 hours (moderate volume) Talk: up to 4 hours
Charging input voltage	DC 5V
Charging time	About 2 hours
Speaker Power (each Earbud)	0.2W
Built-In Battery	65mAh (each)
Weight	0.3 Oz (each)

(Note: Battery life & charging time may vary based on usage & types of devices used.)

Limited Warranty:

This manufacturer's product warranty extends to the original consumer purchaser of the product. Neither the retailer nor any other company involved in the sale or promotion of this product is a co-warrantor of this manufacturer warranty.

WARRANTY DURATION: All the materials and workmanship are warranted to the original consumer purchaser for a period of one (1) year from the original purchase date.

WARRANTY COVERAGE: This product is warranted against defective materials or workmanship. This warranty is void if the product has been damaged by accident, in shipment, unreasonable use, misuse, neglect, improper service, commercial use, repairs by unauthorized personnel or other causes not arising out of the defects in material or workmanship. This warranty is effective only if the product is purchased and operated in INDIA, and does not extend to any units which have been used in violation of written instructions furnished by manufacturer or to units which have been altered or modified or, to damaged products or parts thereof which have had the serial number removed, altered, defaced or rendered illegible.

WARRANTY DISCLAIMERS: This warranty is in lieu of all warranties expressed or implied and no representative or person is authorized to assume for manufacturer any other liability in connection with sale of our products.

WARRANTY PERFORMANCE: During the above one (1) year warranty period, a product with defect will be either repaired or replaced with a reconditioned comparable model (at manufacturer's option). The repaired or replacement product will be in warranty for the balance of the warranty period or thirty (30) days which ever is longer.

WARRANTY LIMIT: The maximum liability of the company shall not exceed the actual purchase price paid by the purchaser.

SERVICE AND REPAIR: If the service is required for the product, the purchaser should contact Acetron Enterprise Pvt Ltd Customer Service at support@acetron.in or by calling 1800 22 2468.

Disputes if any shall be subject to Mumbai Jurisdiction only.

NOTE: This equipment has been tested and found to comply with the limits for a Class B digital device, pursuant to part 15 of the FCC Rules. These limits are designed to provide reasonable protection against harmful interference in a residential installation. This equipment generates uses and can radiate radio frequency energy and, if not installed and used in accordance with the instructions, may cause harmful interference to radio communications. However, there is no guarantee that interference will not occur in a particular installation. If this

equipment does cause harmful interference to radio or television reception, which can be determined by turning the equipment off and on, the user is encouraged to try to correct the interference by one or more of the following measures:

- Reorient or relocate the receiving antenna.
- Increase the separation between the equipment and receiver.
- Connect the equipment into an outlet on a circuit different from that to which the receiver is connected.
- Consult the dealer or an experienced radio/TV technician for help

Changes or modifications not expressly approved by the party responsible for compliance

could void the user's authority to operate the equipment.

This device complies with Part 15 of the FCC Rules. Operation is subject to the following two conditions:

- (1) this device may not cause harmful interference, and
- (2) this device must accept any interference received, including interference that may cause undesired operation.