

BTS-566

Bluetooth Speaker



INSTRUCTION MANUAL

PLEASE READ ALL INSTRUCTIONS CAREFULLY AND
RETAIN FOR FUTURE USE

Getting Started

- § Remove the Speaker from the box.
- § Remove any packaging from the Speaker.
- § Please retain all packaging after you have checked and counted all the parts and the contents against the list.

Package Contents

- § Bluetooth Wireless Luminous Mirror Party Speaker
- § USB Charging Cable
- § Instruction Manual

Key Features

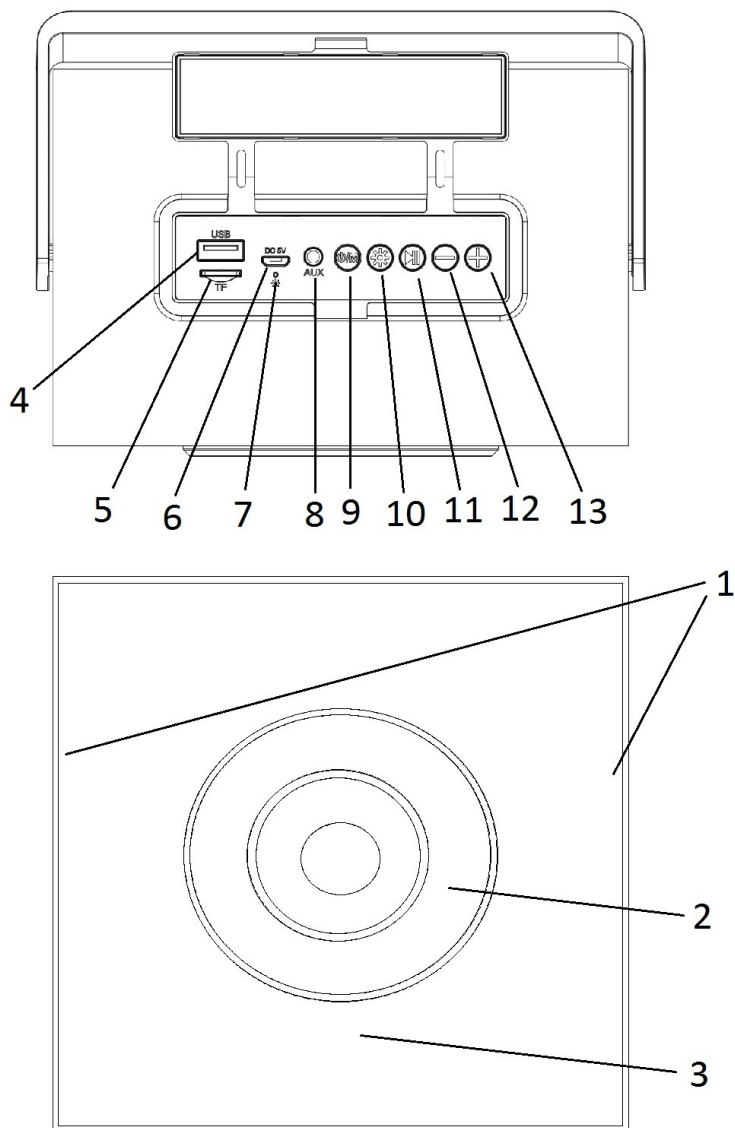
- § Bluetooth Wireless Luminous Mirror Party Speaker
- § Play music wirelessly
- § Built-in FM radio
- § Portable design with built-in handle
- § Wirelessly connects to all Bluetooth enabled devices
- § Compatible to iPad, iPhone, Samsung Galaxy phones, laptops & more
- § Wireless range: 33 Feet
- § Built-in USB / Micro SD (TF) slot
- § AUX-in mode
- § USB rechargeable

SAFETY INSTRUCTIONS

- Read these instructions.
- Keep these instructions.
- Heed all warnings.
- Follow all instructions.
- Do not use this apparatus near water.
- Clean only with dry cloth.
- Do not block any ventilation openings. Install in accordance with the manufacturer's instructions.
- Do not install near any heat sources such as radiators, heat registers, stoves, or other apparatus (including amplifiers) that produce heat.

- Protect the power cord from being walked on or pinched particularly at plugs, convenience receptacles, and the point where they exit from the apparatus.
- Only use attachments/accessories specified by the manufacturer.
- Use only with the cart, stand, tripod, bracket, or table specified by the manufacturer, or sold with the apparatus. When a cart is used, use caution when moving the cart/apparatus combination to avoid injury from tip-over.
- Unplug this apparatus during lightning storms or when unused for long periods of time.
- Refer all servicing to qualified service personnel. Servicing is required when the apparatus has been damaged in any way, such as power-supply cord or plug is damaged, liquid has been spilled or objects have fallen into the apparatus, the apparatus has been exposed to rain or moisture, does not operate normally, or has been dropped.

Description of Parts



1	FLASHING LED LIGHTS (INSIDE)	8	AUX-IN PORT
2	SPEAKERS	9	POWER ON/OFF/MODE BUTTON
3	MIRROR PANEL	10	LED FLASHING LIGHTS ON/OFF BUTTON
4	USB FLASH DRIVE SLOT	11	PLAY/PAUSE
5	MICRO SD (TF) CARD SLOT	12	SKIP BACKWARD/VOLUME DECREASE
6	CHARGING PORT	13	SKIP FORWARD/VOLUME INCREASE
7	LED INDICATOR		

INSTRUCTIONS FOR USE

Charging the Speaker

For best results, fully charge the speaker before use.

1. Connect the USB charging cord (included) to the DC 5V charging port of the speaker and insert the other end into a port on your computer or similar power source.
2. Red LED turns on indicating that the battery is being charged. Once it is fully charged, the Red LED will turn off. It takes about 4 hours to fully charge the battery.

Turn on/off the Speaker

Press and hold the POWER ON/OFF button 2-3 seconds to turn on/off the speaker.

Pairing the Speaker with your Bluetooth Device –

Your Bluetooth Speaker can stream wireless audio from any Bluetooth enabled device within the range of 33 Feet. Simply follow the below steps.

1. Press and hold the POWER ON/OFF button 2-3 seconds for to turn on the speaker.
2. You would hear an indication tone, and blue LED indicator flashes rapidly. This indicates that the speaker is now in Bluetooth pairing mode.
3. Turn on Bluetooth on your Mobile Phone or Tablet or Computer.
4. It will search for available Bluetooth devices.
5. Bluetooth Speaker would appear as “SL INFINITY SPKR”, in the list of searched devices. Select it from the available list of devices.
6. If required, enter the password ‘0000’ to confirm pairing.
7. Once paired successfully, another indication tone would be heard, and the blue LED indicator would stay on.
8. If you fail to pair it within a few seconds or you want to pair it with a new device, please repeat above steps.

Play your favorite song on the Bluetooth source device and music would now stream through the speaker with LED flashing lights.

Listening to Wireless Music

Please ensure that your device (iPhone, Tablet or Other Smart Phone) is paired with the speaker to stream wireless music. Once it is paired, play music from your device.

Function	Operation	Button
Increase / Decrease Volume	Playing music	Long press the +/- button to increase/decrease the volume.
Pause	Playing music	Short press PLAY/PAUSE button once to pause music
Play	Pause	Short press PLAY/PAUSE button once to resume music
Skip Backward	Playing music	Short press the Skip Backward button to the previous track
Skip Forward	Playing music	Short press the Skip Forward button to the next track

(Note: An indication tone will alert you when the volume is adjusted to the maximum level.)

Listening to Music using USB / Micro SD (TF) Card Slot

1. Turn on the speaker.
2. Insert USB flash drive into the USB slot or Micro SD (TF) card into the Micro SD (TF) card slot, and you would hear an indication tone. Then, music will play automatically with LED flashing lights.
3. Short press the Skip Forward or Skip Backward button to move forward or backward on your playlist.
4. Short press PLAY/PAUSE button to Play or Pause a track.
5. Long press + to increase the volume or - to decrease the volume.

Note: While using Bluetooth, if you insert USB Flash drive or Micro SD (TF) Card, speaker would disconnect the Bluetooth connection and switch to USB / Micro SD (TF) card function. You can press MODE button, to select the Bluetooth mode again.

Listening to Music using AUX-In

1. Turn on the speaker.
2. Insert the 3.5mm Aux cable (not included) into the Aux-in port of the speaker, and you would hear an indication tone. And connect the other end of the cable to the audio device (such as phone / MP3 Player / computer / tablet etc.).
3. Select your favourite song at the source device to play with LED flashing lights.
4. Long press + to increase the volume or - to decrease the volume.

(Note: While using AUX IN function, functions such as play/pause, playing next/previous track can be controlled only through your source device).

Listening FM radio

1. Turn on the speaker.
2. Press the MODE button each time until it reaches FM mode that you would hear a radio station with LED flashing lights.
3. To AUTO-SCAN the stations, press Play/Pause button once.
4. It will take few minutes to search all the stations. Once all the stations are scanned, they get registered in memory, automatically.
5. Press the Next track or Previous track button for listening next or previous preset radio station.
6. Long press + to increase the volume or - to decrease the volume.

Tips!!

1. Short press the MODE button to switch different functions of the speaker. The functions are – Bluetooth / USB-Micro SD (TF) / FM radio / AUX.
2. When the speaker is not in use, turn OFF the device to save the battery power.

LED Flashing Lights in the front of speaker

While the unit is playing with LED flashing lights, short press the LED FLASHING LIGHTS ON/OFF button can turn on/off the LED flashing lights.

Do's and Don'ts

- Do not play music at excessive levels as damage to hearing and/or equipment may result.
- Do not use outdoors in wet or in damp surroundings.

Product Specifications:

Bluetooth version : 4.2

Speaker output : 3W

FM Frequency : 87.5 – 108MHz

Size : L6-7/8" x D5" x H6-3/4"

Weight : 25.2 oz approx.

Play time : 2.5 hours

Charge Voltage : DC5V (USB)

Bluetooth range : 33 Feet

Built-In Rechargeable Li-ion Battery: 3.7V, 1200mAh

TROUBLESHOOTING

Problem	Possible Cause	Solution
No sound	Volume in minimum position.	Increase the volume.
	The connected device is not in play mode.	Play the music in the connected device and make sure the volume level is in high level.
	Input source incorrect.	Press the MODE button to set the input source to the desired function.
Sound distortion	Volume level too high	Decrease the volume.

Care and maintenance

Clean the speaker with a soft, dry cloth. Never use chemicals or harsh abrasives.

Keep this unit away from wet or damp surroundings.

FCC Instructions

Changes or modifications not expressly approved by the party responsible for compliance could void the user's authority to operate the product.

NOTE: This product has been tested and found to comply with the limits for a Class B digital device, pursuant to Part 15 of the FCC Rules. These limits are designed to provide reasonable protection against harmful interference in a residential installation. This product generates, uses and can radiate radio frequency energy and, if not installed and used in accordance with the instructions, may cause harmful interference to radio communications. However, there is no guarantee that interference will not occur in a particular installation. If the product does cause harmful interference to radio or television reception, which can be determined by turning the equipment off and on, the user is encouraged to try to correct the interference by one or more of the following measures :

- Reorient or relocate the receiving antenna.
- Increase the separation between the product and receiver.
- Connect the product into an outlet on a circuit different from that to which the receiver is connected.
- Consult the dealer or an experienced radio/TV technician for help.

The device complies with Part 15 of the FCC Rules. Operation is subject to the following two conditions: (1) this device may not cause harmful interference, and (2) this device must accept any interference received, including interference that may cause undesired operation.

LIMITED WARRANTY

This manufacturer's product warranty extends to the original consumer purchaser of the product. Neither the retailer nor any other company involved in the sale or promotion of this product is a co-warrantor of this manufacturer warranty.

WARRANTY DURATION: All materials and workmanship are warranted to the original consumer purchaser for a period of ninety (90) days from the original purchase date.

WARRANTY COVERAGE: This product is warranted against defective materials or workmanship. This warranty is void if the product has been damaged by accident, in shipment, unreasonable use, misuse, neglect, improper service, commercial use, repairs by unauthorized personnel or other causes not arising out of defects in materials or workmanship. This warranty doesn't cover the following which may be supplied with this product, including but not limited to; LCD Screens, glass parts, lenses, bulbs etc. This warranty is effective only if the product is purchased and operated in USA and Canada, and does not extend to any units which have been used in violation of written instructions furnished by manufacturer or to units which have been altered or modified or, to damaged products or parts thereof which have had the serial number removed, altered, defaced or rendered illegible.

WARRANTY DISCLAIMERS: This warranty is in lieu of all warranties expressed or implied and no representative or person is authorized to assume for manufacturer any other liability in connection with the sale of our products. There shall be no claims for defects or failure under any theory of tort, contractor commercial law including but not limited to, negligence, gross negligence, strict liability, breach of warranty and breach of contract. Under no circumstances will Manufacturer's / Distributor's maximum liability exceed the retail value of the product.

WARRANTY PERFORMANCE: During the above 90 day warranty period, a product with a defect will be either repaired or replaced with a reconditioned comparable model (at manufacturer's option). The repaired or replacement product will be in warranty for the balance of the 90 day warranty period and an additional one-month period. No charge will be applicable for such repair or replacement.

SERVICE AND REPAIR: If service is required for this product, you should first contact Midwest Trading Group Customer Service at info@mtradinggroup.com or by calling 1 (866) 815-4714, Monday to Friday 10am to 6pm EST.

NOTE: Manufacturer cannot assume responsibility for loss or damage during incoming shipment. As a precautionary measure, carefully package the product for shipment, and insure it with the carrier. Be sure to enclose the following details with the product: your full name, return address and daytime phone number, a note describing the problem you experienced, a copy of your sales receipt or other proof of purchase to determine warranty status. C.O.D. shipments cannot be accepted.

FCC Caution:

This device complies with part 15 of the FCC Rules. Operation is subject to the following two conditions: (1) This device may not cause harmful interference, and (2) this device must accept any interference received, including interference that may cause undesired operation.

Any Changes or modifications not expressly approved by the party responsible for compliance could void the user's authority to operate the equipment.

Note: This equipment has been tested and found to comply with the limits for a Class B digital device, pursuant to part 15 of the FCC Rules. These limits are designed to provide reasonable protection against harmful interference in a residential installation. This equipment generates uses and can radiate radio frequency energy and, if not installed and used in accordance with the instructions, may cause harmful interference to radio communications. However, there is no guarantee that interference will not occur in a particular installation. If this equipment does cause harmful interference to radio or television reception, which can be determined by turning the equipment off and on, the user is encouraged to try to correct the interference by one or more of the following measures:

- Reorient or relocate the receiving antenna.
- Increase the separation between the equipment and receiver.
- Connect the equipment into an outlet on a circuit different from that to which the receiver is connected.
- Consult the dealer or an experienced radio/TV technician for help.