

Yealink

Certified for

Microsoft Teams

Video Conferencing Endpoint VC210 Teams[®] Edition

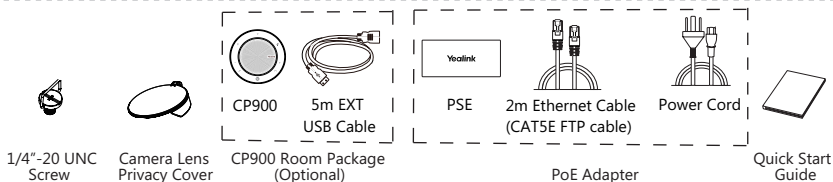
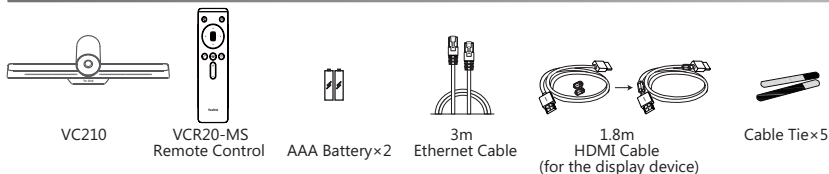


English | 简体中文

Quick Start Guide (V15.8)
快速入门指南

Applies to firmware version 118.15.0.8 or later
适用于 118.15.0.8 及之后的版本

Package Contents



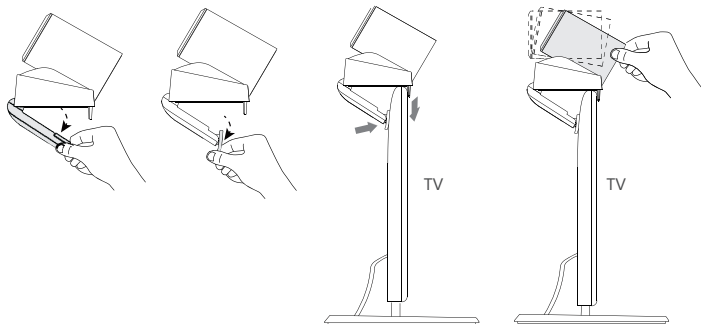
Note:

- We recommend that you use the accessories provided or approved by Yealink. The unapproved third-party accessories may result in reduced performance.
- Use the Yealink original PoE adapter (54V/0.56A) to charge the endpoint only. The use of the third-party PoE adapter may cause the damage to the endpoint.
- Put the magnet rings on the HDMI cable to prevent electromagnetic interference.
- The USB port output is 5VDC 300mA Max.

Endpoint Installation

Select one of the following installation method:

- Put on a Flat Surface
You can put the endpoint on a conference room table.
- Mount on top of a TV
You can mount endpoint on top of the TV when the thickness of the TV is between 1mm and 36mm.

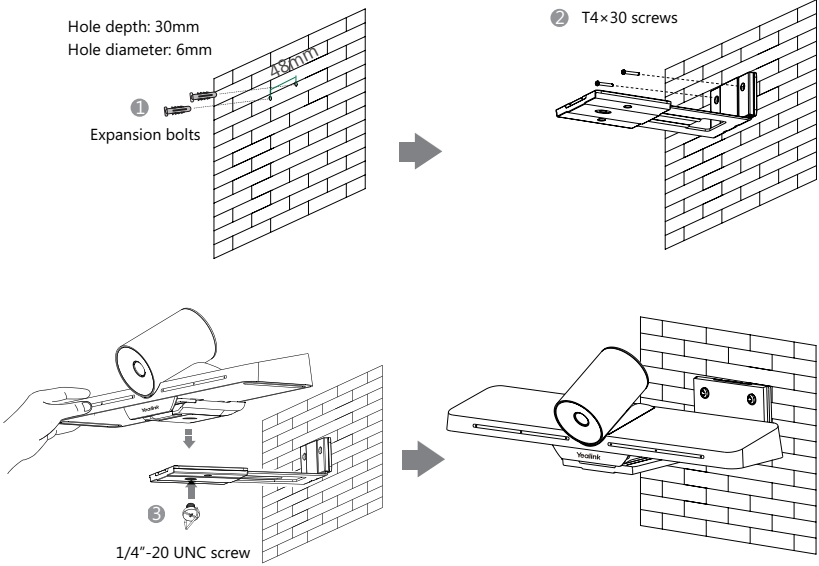


Note:

- The base of the camera must be parallel to the top of TV.
- You can adjust the angle of the camera manually. The angle can be up to 30 degree.
- Choose other installation method if the thickness of the TV is more than 36 mm.

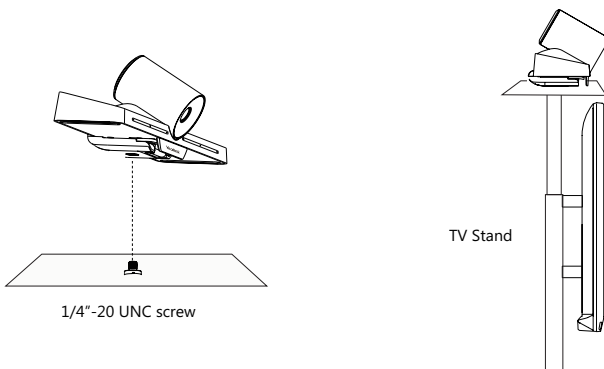
- **Mount on a Wall**

You can purchase a bracket to mount your endpoint on a wall. The recommended height is 1.6m above the ground.

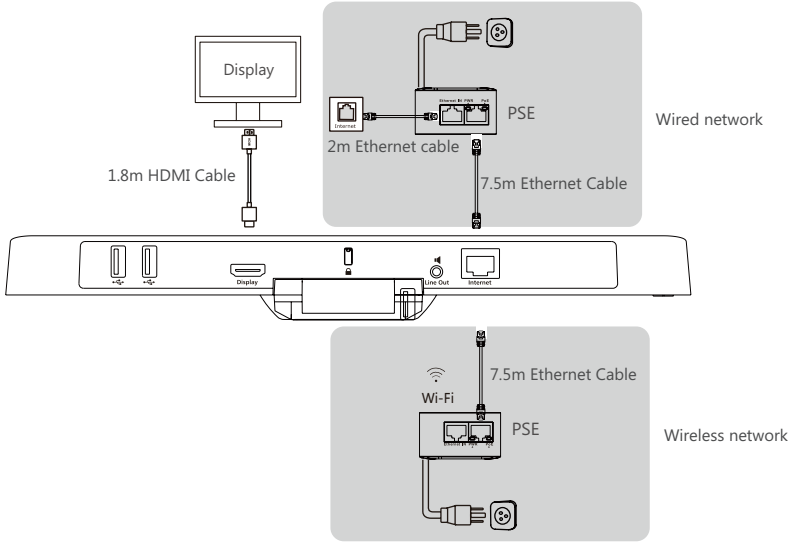


- **Mount onto a TV Stand or a Tripod**

You need to purchase a TV stand or a tripod separately. The TV stand or a tripod should be able to bear the weight of at least 5kg.



Endpoint Connections

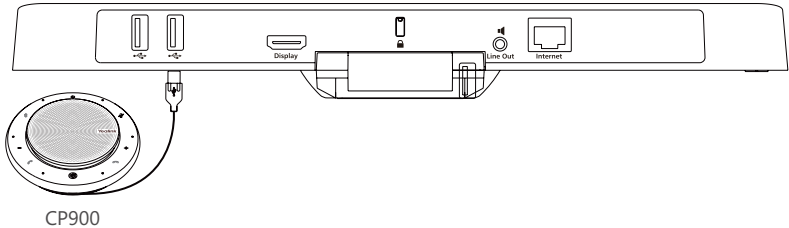


Note:

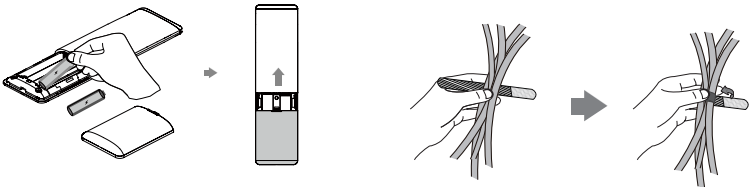
- If you connect a touch display device, you can operate the VC210 either by remote control or touch control.
- If you connect a non-touch display device, you can only use the remote control.

Audio Device Connection

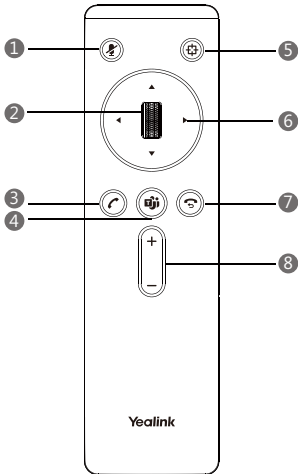
Connect the following accessory to enhance your audio experience:



Remote Control and Cable Ties Installation



VCR20 Remote Control Introduction



- 1 Mute Key**
Press to mute or unmute microphone.
- 2 Scroll Wheel**
 - Scroll up to increase the focal length of the camera.
 - Scroll down to decrease the focal length of the camera.
 - Press to confirm the action.
- 3 Answer Key**
Press to answer a call.
- 4 Teams Key**
Press to join meeting.
- 5 Auto Framing**
Press to enable or disable auto framing feature.
- 6 Navigation Key**
Navigate through menu items.
- 7 End Call Key/Back Key**
 - Press to end a call.
 - Press to return to the previous menu.
- 8 Volume Up/Down Key**
Press to increase/decrease the volume.

Sign in to Microsoft Teams

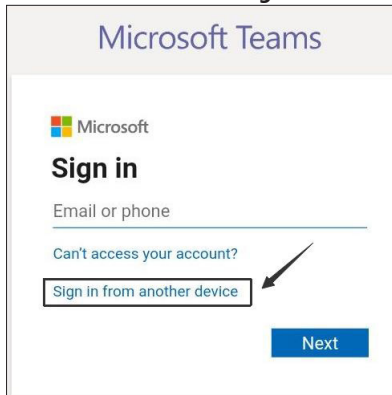
Web Sign-in (Recommended method)

To sign in to Microsoft Teams via web sign-in:

1. Select **Sign in**.

You will be connected to the Company Portal automatically.

2. Select **Sign in from another device** from the **Sign in** screen.



3. Go to <https://microsoft.com/devicelogin> on your computer.
4. Enter the code shown on your endpoint and select **Next**.
5. Enter your account credentials or select a desired account to sign in.
A confirmation message is displayed after you successfully sign in to Microsoft Intune Company Portal.

Normal Sign-in

To sign in to Microsoft Teams on your endpoint:

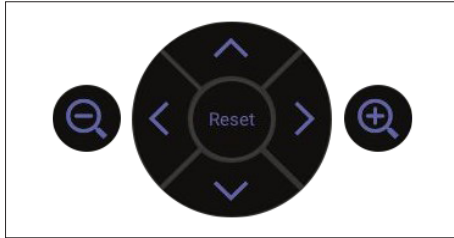
1. Select **Sign in**.
You will be connected to the Company Portal automatically.
2. On the **Sign in** screen, enter the account information and select **Next**.
3. Follow the on-screen prompts.



Camera Settings

You can make basic PTZ control for your camera.

To control the camera position via the remote control or touch control:

1. Select **More > Settings > Device Settings > Control**.



2. Select  /  to zoom camera out/in.
3. Select the arrow keys to pan/tilt the camera.

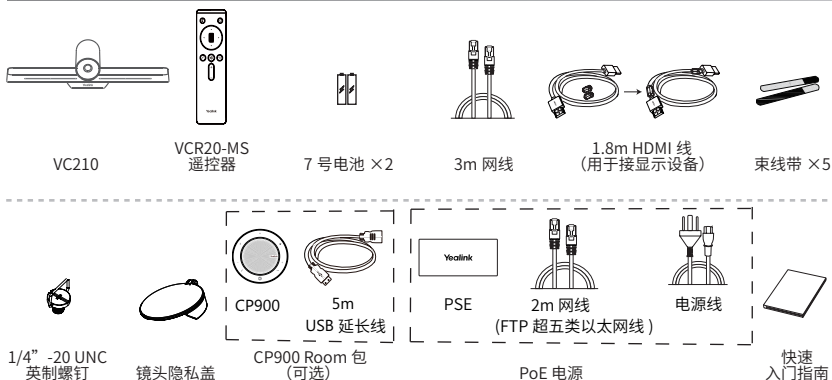
To reset the camera position via the remote control or touch control:

1. Select **More > Settings > Device Settings > Control**.
2. Select **Reset**.

You can also change the **Exposure Settings**, **White Balance Setting**, **Graphics** and enable/disable **Auto Framing** and so on.

For more information, see related documentations, including User Guide and Administrator Guide, on your phone's Support page: <http://support.yealink.com/>. You can also contact the Yealink technical support team for help.

包装清单



说明:

- 我们推荐使用由亿联提供或经亿联认可的配件和线缆，使用未经认可的第三方配件和线缆可能会导致性能的下降。
- 我们要求使用亿联原装 PoE 电源（54V/0.56A），使用第三方电源可能会导致终端损坏。如果使用过程中发现线缆破皮，请立即更换。
- 使用 HDMI 线前，请套上磁环用于抗电磁干扰。

安装终端

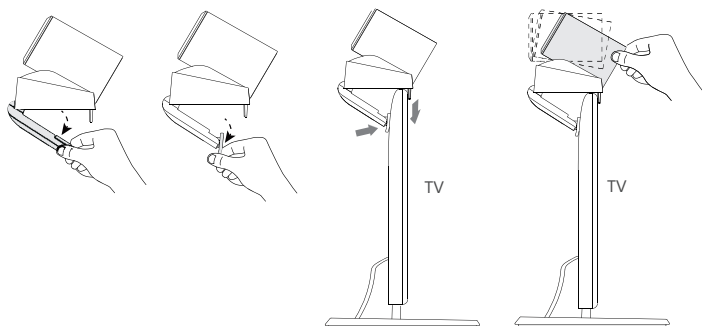
你可以根据实际需要选择安装终端的方式:

• 平放安装

将终端摆放在水平桌面。

• 挂装

当电视厚度范围为 1mm-36mm 时，你可以根据图示将终端挂在电视上。

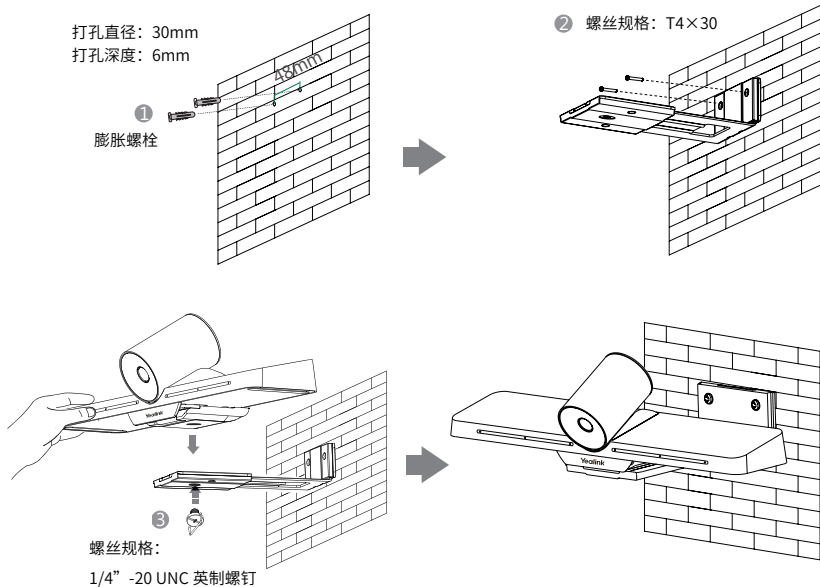


说明:

- 尽量保证终端底壳与电视上方水平。
- 手动调节摄像机上下角度时，最大调整范围为 30°角。
- 电视厚度超过 36mm 时，请勿使用挂装方式，终端有跌落风险。请选用其他安装方式。

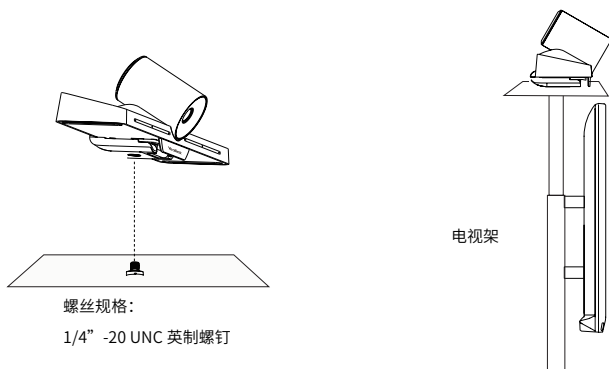
• 墙装

你可以选购支架将终端安装在墙上，安装高度建议 1.6m。

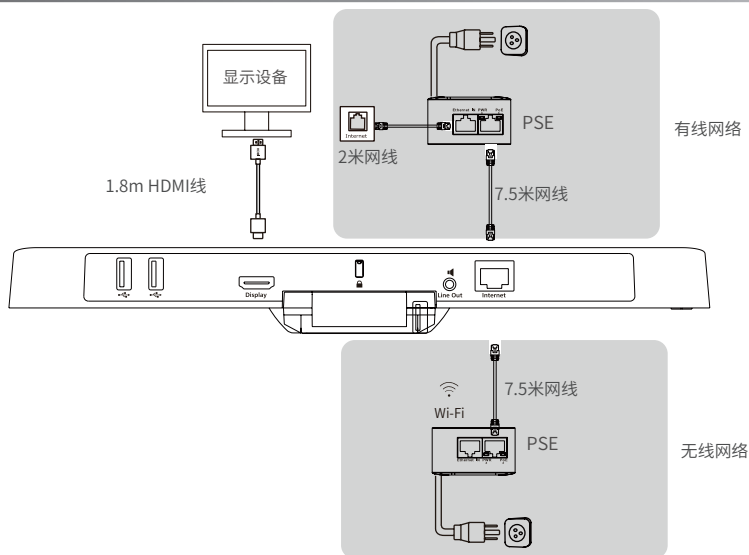


• 电视架或三脚架安装

你可以将终端安装在自行选购的电视架或三脚架上，选购的电视架或三脚架承重至少为 5kg。



连接终端

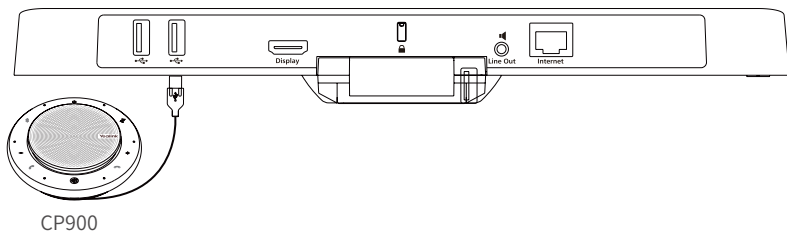


说明:

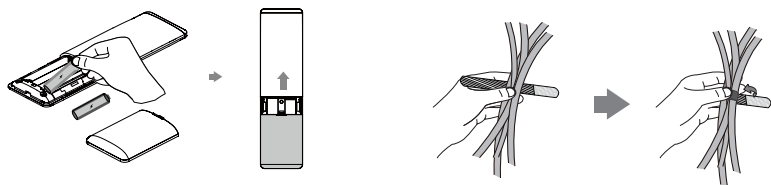
- 如果你连接的是触控式显示设备,你可以使用遥控器或者触摸屏操作终端。
- 如果你连接的是非触控式显示设备,你只能使用遥控器操作终端。

音频设备连接

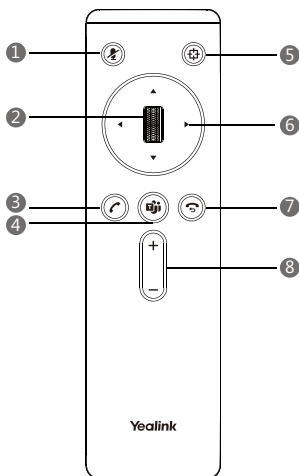
连接以下配件增强音效体验:



安装遥控器电池和使用束线带



遥控器介绍



- 1 静音键**
麦克风静音 / 取消静音。
- 2 滚轮**
 - 向上滑动放大摄像机画面。
 - 向下滑动缩小摄像机画面。
 - 确认执行操作。
- 3 接听键**
接听来电。
- 4 Teams 键**
按下按键加入会议。
- 5 自动框全景**
开启 / 关闭自动框全景功能。
- 6 导航键**
导航菜单项。
- 7 挂断键 / 返回键**
 - 挂断电话。
 - 返回上一级菜单。
- 8 音量加减键**
提高 / 降低音量。

登录

网页登录 (推荐)

通过网页端登录 Teams 账号：

- 选择**登录**。
你将自动连接到 Company Portal。
- 在**登录**界面选择**从其他设备登录**。



- 在电脑上访问 <https://microsoft.com/devicelogin>。
- 输入显示在终端上的验证码，然后选择**下一步**。
- 输入账号信息或者选择账号登入。
成功登录到 Microsoft Intune Company Portal 后，将显示一条确认消息。

正常登录

通过终端登录 Teams 账号：

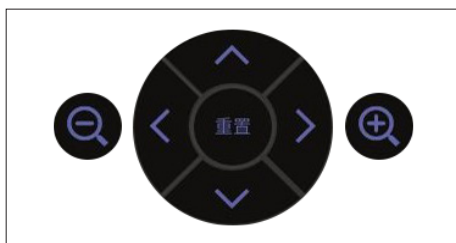
1. 选择**登录**。
你将自动连接到 Company Portal。
2. 在**登录**界面输入账号，选择**下一步**。
3. 根据界面提示进行操作。

摄像机设置

你可以对本地摄像机进行 PTZ 操作。

通过遥控器或者触控方式调整摄像头位置：

1. 选择**更多 > 设置 > 设备设置 > 云台控制**。



2. 选择 / 调整摄像机的焦距。
3. 选择方向键调整摄像机的角度。

通过遥控器或者触控方式重置摄像头位置：

1. 选择 **更多 > 设置 > 设备设置 > 云台控制**。
2. 选择**重置**。

你还可以为摄像机调整**曝光、白平衡、图像**，开启 / 关闭**自动框全景**等。

更多详细信息，请参阅技术支持网站 (<http://support.yealink.com/>) 上相关的用户指南和管理员指南。或者你也可以联系亿联技术支持团队。

Regulatory Notices

Operating Ambient Temperatures

- Operating temperature: +32 to 104°F (0 to 40°C)
- Relative humidity: 5% to 90%, noncondensing
- Storage temperature: -22 to +160°F (-30 to +70°C)

Warranty


Our product warranty is limited only to the unit itself, when used normally in accordance with the operating instructions and the system environment. We are not liable for damage or loss resulting from the use of this product, or for any claim from a third party. We are not liable for problems with Yealink device arising from the use of this product; we are not liable for financial damages, lost profits, claims from third parties, etc., arising from the use of this product.

Explanation of the symbols

-DC symbol

⎓ is the DC voltage symbol.

-WEEE Warning symbol

 To avoid the potential effects on the environment and human health as a result of the presence of hazardous substances in electrical and electronic equipment, end users of electrical and electronic equipment should understand the meaning of the crossed-out wheeled bin symbol. Do not dispose of WEEE as unsorted municipal waste and have to collect such WEEE separately.

-Restriction of Hazardous Substances Directive (RoHS)

This device complies with the requirements of the EU RoHS Directive. Statements of compliance can be obtained by contacting support@yealink.com.

-Safety Instructions

Save these instructions. Read these safety instructions before use!

General Requirements

- Before you install and use the device, read the safety instructions carefully and observe the situation during operation.
- During the process of storage, transportation, and operation, please always keep the device dry and clean, avoid collision and crash.
- Please attempt not to dismantle the device by yourself. In case of any discrepancy, please contact the appointed maintenance center for repair.
- Please refer to the relevant laws and statutes while using the device. Legal rights of others should be respected as well.

Environmental Requirements

- Place the device at a well-ventilated place. Do not expose the device under direct sunlight.
- Keep the device dry and free of dusts.
- Do not place the device on or near any inflammable or fire-vulnerable object, such as rubber-made materials.
- Keep the device away from any heat source or bare fire, such as a candle or an electric heater.

Operating Requirements

- Do not let a child operate the device without guidance.
- Do not let a child play with the device or any accessory in case of accidental swallowing.
- Please use the accessories provided or authorized by the manufacturer only.
- The power supply of the device shall meet the requirements of the input voltage of the device. Please use the provided surge protection power socket only.
- Before plugging or unplugging any cable, make sure that your hands are completely dry.
- Do not spill liquid of any kind on the product or use the equipment near water, for example, near a bathtub, washbowl, kitchen sink, wet basement or near a swimming pool.
- During a thunderstorm, stop using the device and disconnect it from the power supply. Unplug the power plug and the Asymmetric Digital Subscriber Line (ADSL) twisted pair (the radio frequency cable) to avoid lightning strike.
- If the device is left unused for a rather long time, disconnect it from the power supply and unplug the power plug.
- When there is smoke emitted from the device, or some abnormal noise or smell, disconnect the device from the power supply, and unplug the power plug immediately.

Note: This equipment has been tested and found to comply with the limits for a Class B digital device, pursuant to part 15 of the FCC Rules. These limits are designed to provide reasonable protection against harmful interference in a residential installation. This equipment generates uses and can radiate radio frequency energy and, if not installed and used in accordance with the instructions, may cause harmful interference to radio communications. However, there is no guarantee that interference will not occur in a particular installation. If this equipment does cause harmful interference to radio or television reception, which can be determined by turning the equipment off and on, the user is encouraged to try to correct the interference by one or more of the following measures:

- Reorient or relocate the receiving antenna.
- Increase the separation between the equipment and receiver.
- Connect the equipment into an outlet on a circuit different from that to which the receiver is connected.
- Consult the dealer or an experienced radio/TV technician for help.

High power radars are allocated as primary users of the 5.25 to 5.35 GHz and 5.65 to 5.85 GHz bands. These radar stations can cause interference with and/or damage this device. No configuration controls are provided for this wireless equipment allowing any change in the frequency of operations outside the FCC grant of authorization for US operation according to Part 15.407 of the FCC rules.

5.15~5.25GHz Band

Operations in the 5.15-5.25GHz band are restricted to indoor use only.

- Contact the specified maintenance center for repair.
- Do not insert any object into equipment slots that is not part of the product or auxiliary product.
- Before connecting a cable, connect the grounding cable of the device first. Do not disconnect the grounding cable until you disconnect all other cables.

Operating Requirements

- Before cleaning the device, disconnect it from the power supply.
- Use a piece of soft, dry and anti-static cloth to clean the device.
- Keep the power plug clean and dry.

Troubleshooting

The unit cannot supply power to device other than Yealink device.

There is a bad connection with the plug.

1. Clean the plug with a dry cloth.
2. Connect it to another wall outlet.

The usage environment is out of operating temperature range.

1. Use in the operating temperature range.

The cable between the unit and the Yealink device is connected incorrectly.

1. Connect the cable correctly.

You cannot connect the cable properly.

1. You may have connected a wrong Yealink device.

2. Use the correct power supply.

Some dust, etc., may be in the port.

1. Clean the port.

Contact your dealer or authorized service facility for any further questions.

FCC Statement

This device complies with part 15 of the FCC Rules. Operation is subject to the following two conditions: (1) this device may not cause harmful interference, and (2) this device must accept any interference received, including interference that may cause undesired operation. Any Changes or modifications not expressly approved by the party responsible for compliance could void the user's authority to operate the equipment.

IC Statement

This device complies with Industry Canada's licence-exempt RSSs. Operation is subject to the following two conditions:

- (1) this device may not cause interference; and
- (2) this device must accept any interference, including interference that may cause undesired operation of the device. CAN ICES-3(B)

Le présent appareil est conforme aux CNR d'Industrie Canada applicables aux appareils radio exempts de licence. L'exploitation est autorisée aux deux conditions suivantes :

- (1) l'appareil ne doit pas produire de brouillage;

- (2) l'utilisateur de l'appareil doit accepter tout brouillage radioélectrique subi, même si le brouillage est susceptible d'en compromettre le fonctionnement. NMB-3(B)

Radiation Exposure Statement

This equipment complies with FCC and IC radiation exposure limits set forth for an uncontrolled environment. This equipment should be installed and operated with minimum distance 20cm between the radiator and your body.

Cet équipement ne doit pas être Co-placé ou en fonctionnement en même temps qu'aucune autre antenne ou émetteur. Cet équipement devrait être installé et actionné avec une distance minimum de 20 centimètres entre le radiateur et votre corps.

Contact Information

YEALINK NETWORK TECHNOLOGY CO., LTD.

309, 3rd Floor, No.16, Yun Ding North Road, Huli District, Xiamen City, Fujian, P.R.C

YEALINK (EUROPE) NETWORK TECHNOLOGY B.V.

Strawinskylaan 3127, Atrium Building, 8th floor, 1077ZX Amsterdam, The

Netherlands

YEALINK (USA) NETWORK TECHNOLOGY CO., LTD.

999 Peachtree Street Suite 2300, Fulton, Atlanta, GA, 30309, USA

Made in China