

**YONGNUO**  
DIGITAL

**RF605C**

**Wireless Flash Trigger**

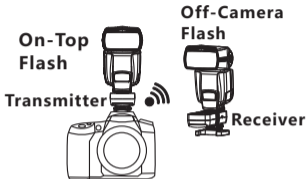
User Manual



# Contents

Thank you for purchasing YONGNUO products in advance.

Please be sure to read and understand this user manual and the usage of camera and flash before using. This product is a wireless transceiver integrated design, for the convenience of description, the product will named "transmitter" when mounted on the camera hot shoe, named "receiver" when mounted or connected to the flash.



Product Features .....	1
Cautions .....	2
Names of RF605 Parts .....	3
Button, display, indicator light .....	4
Preparation before using .....	5
Wireless triggering and testing .....	6-7
Shutter release function .....	8
Function extend .....	9
Troubleshooting .....	10
Specification .....	11

## Product Features

- RF-602/RF-603 two communication modes RF605 = RF602 + RF603
- TX/RX/TRX multiple working ways
- A/B/C/D/E/F 6 groups (compatible with YN560-TX)
- Wireless shutter remote control
- Clear LCD screen display, shortcut key operation
- 16 channels
- Communication range up to 100M

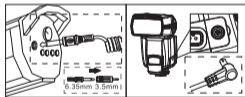
### Package Contents:

RF605C or RF605N .....	X2
LS-2.5 shutter connecting cable* .....	X2
User Manual .....	X1

\*The shutter release cable type please refer to the packing shown.

- Please purchase the additional shutter release cable or PC cable if necessary.

### Optional component: LS-PC series flash cable



LS-PC635

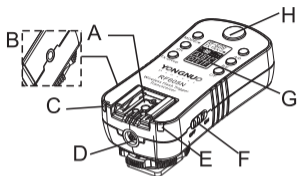


LS-PC/PC

## Cautions

1. As this is an electronic product accessory, some of the environment causes may affect the working. However this is hardly ever to get this situation, don't worry.
2. Do not pull the wires and turn off the camera when connecting.
3. For a long time non-use, please turn the transceiver off and remove the batteries.
4. Do not put it in high temperature, such as a closed car under direct sunlight, the control panel and other high temperature areas.
5. Keep dry, do not use wet hands contact with the product, the product must not be immersed in water or exposed to rain, and this may and this may lead to not work properly.
6. Do not used in the flammable occasion in violation of this warning may cause an explosion or fire.
7. Owing to this product include battery, please operate it strictly according to related rules, otherwise maybe cause explosion, fire or physical injury.
8. Do not trigger the flash close to a person's eyes, it may impair the person's vision.

## Names of RF605 Parts



A-Hot shoe stand/Hot shoe contacts: install flash  
B-2.5mm shutter release socket  
C-Focus light (Green)/shutter indicator light (Red),in RF-603 TRX status, the AF-assist light will blink once in every 2 seconds.

D-PC interface(output)

E-Waken indicator (Green)/trigger indicator light (Red),in RF-602 RX status, the trigger indicator light will blink once in every 2 seconds.

F-Power switch: ON means turn on, while OFF means turn off

G-Buttons and display (see below page)

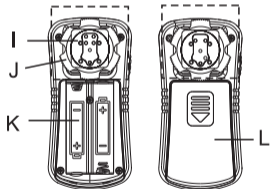
H-Multifunction button (see below page)

I-Hot shoe fixed foot and contacts: mounted on the camera hot shoe

J-Locking ring

K-Battery compartment



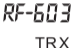
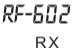




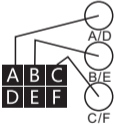

L-the battery compartment cover



RF605C is more suitable for the Canon cameras

RF605N is more suitable for the Nikon cameras

## Button, display, indicator light

Button	Function	Display/Indicator light
<b>【MODE/★】</b> Communication mode/Transmit-receive status button	Long press to switch the communication mode RF-602/RF-603; Short press to switch the transmit-receive status RF-602 can use TX(transmit),RX(receive) Status; RF-603 can use TX (transmit), TRX(transmit-receive) status	   
<b>【CH】</b> Channel	Press to setup the channel (1-16)	   
<b>【TX Group】</b> Transmit grouping button	Press the button to activate the transmit grouping button setting, then press the transmit-receive grouping button to turn on/off the transmitting group	
<b>【A/D】 【B/E】 【C/F】</b> Transmit-receive grouping button	Short press to turn on/off the A/B/C group, long press to turn on/off D/E/F group, the corresponding grouping indicator light on or off	
<b>【Multifunction Button】</b>	In TX status: half press to waken the speedlite, full press the to test flash	waken/trigger  focus/shutter

## Preparation before using

### 1. Battery Installation:

Slide to open the battery compartment, install two AAA batteries(not included) for two transceivers according to the "+/-" direction shown.

- **The low battery Indicator**()

The low battery indicator will blink when the batteries are low. Please replace the battery.

### 2. Fix the transmitter on the hot shoe of the camera:

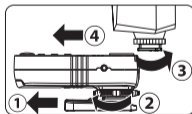
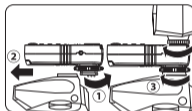
Mount the transmitter on the hot shoe of the camera through the hot shoe mounting foot, then tight the locking screw.

Supports installing the flash on the transmitter (on-top flash , as the picture shown).

### 3.Fixed the receiver and flash

Mount the receiver on the mini stand of the flash attached or other fixed device (not included), and tight the locking screw. Install the flash on the hot shoe of the receiver, lock the flash and ensure all links are fixed well.

- **Make sure all the transceivers have been fixed, the flash set to manual "M" mode.**





## Wireless triggering and testing

**1. Set the communication mode:** Set all the transmitters and receivers to the same communication mode (RF-602 or RF-603).

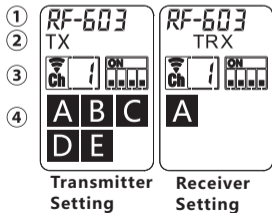
**2. Set the transmit-receive status:** Set the transmitter to TX, the receiver set to RX or TRX.

**3. Channel setting:** Set all the transceivers in the same channel.

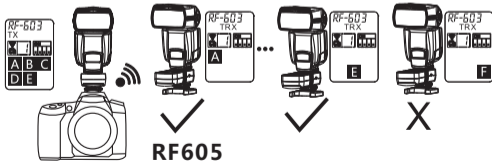
**4. Set the groups of transmitter and receiver:**

**1) Transmitter settings:** In TX status, press the grouping button for setup; in TRX status, press the TX Group button or half press the camera shutter release button to activate the transmit group settings.

**2) Receiving group setting:** Press the grouping button for settings.



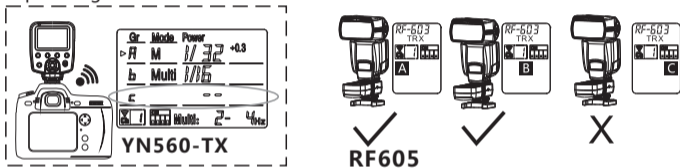
Example: Use the RF605 and set the F group not flash



## Wireless triggering and testing

### Example: use the YN560-TX and set C group not flash

Set the C group flash mode to "--" when using the YN560-TX ,the C group of corresponding RF605 receiver does not flash.



**5.Waken the flash:** half press the transmitter(TX status) multifunction button or camera shutter to waken the flash.

**6.Test and trigger the flash :**Fully press the multifunction button of the transmitter (TX status) to test the flash once. When fully pressing the release button of camera shutter, it will wireless synchronously trigger the on-top flash and off-camera flash.

☞ **Use the non specialized transmitter can also wireless trigger the flash (single contact trigger).**