

I. Precaution

To avoid fire or electrical shock, please do not expose this product to rain or moisture.

To avoid short circuit, please make sure the battery contacts are securely packed, and use the batteries in accordance with the local provisions.

Please place the batteries and the parts which can be mistakenly swallowed away from the children. If swallowed, please get medical help immediately.

To avoid any possible injury to eyes, please do not use the flash in a short distance from the eyes.

To avoid any possible safety accident, please do not use the flash on people who is focusing attention.

Please take out the batteries and stop using this product immediately in case of the following situation:

- This product is dropped or shocked seriously and the inner part of this product is bared.
- Wear gloves and take the batteries out if the corrosive liquid inside the batteries leaks.
- This product gives off strange smell, heart or smokes.

this product because the internal high voltage circuit may cause the electric shock.

Please take out all the batteries if this product is not used for a long time.

II. Features

- **[GN66] GN66@ ISO100, 199mm**

High guide number 2.4G wireless speedlite, supports M/Multi/- - mode.

- **[Master control] Supports wireless master control function, realize six groups of light control**

YN660 can be used as master control unit, be equipped with six groups of independent grouping control ability, realize remote control the flash mode, output and focal length of YN660, YN560IV or YN560III.

- **[Off camera] Supports wireless slave function, fully supports YN660, YN560IV, YN560-TX, RF605, RF603(II) and RF602 wireless transmitter**

One YN660 can respectively accepts the signal transmitted from YN660, YN560IV, YN560-TX, RF605, RF603(II) and RF602 wireless transmitter, with 16 channels for option; when YN660, YN560IV and YN560-TX used as transmitter, it can realize remote flash parameter adjustment.

- **[Trigger] Multiple flexible trigger synchronous ways**

YN660 can be triggered through the camera, 2.4G wireless triggering, S1 and S2 preflash trigger avoidance.

- **[Custom] Supports automatically save settings and custom settings Fn**

The parameters on the flash will automatically save when the flash turned off; the users can customize setting the flash function as needed.

- **[Sound] Special sound prompt system**

Turn on the sound prompt function, the speed-lite will prompt the working state, allows you to focus on the creative process (note: the sound prompt can be turned off).

- **[Zoom] Supports electric zooming function**

Through short press the [ZOOM] button and rotate [Select Dial], the flash coverage can be changed between 24~199mm . (note: 199mm is equivalent to 200mm focal length)

- **Ultra fast Charging Recycle System, Supporting External Power Supply**

- **Equipped with Big Size LCD Display Screen, Standard PC Synchronous Interface**

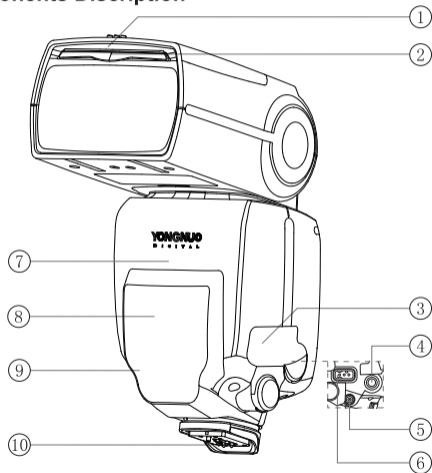
III. Quick Start

If you don't have much time to go through the user manual, we advise you to read this section.

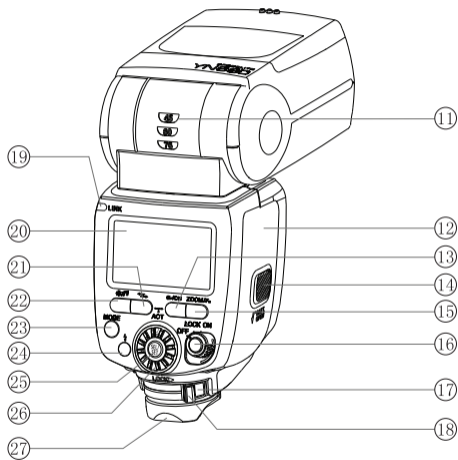
- 1.To effectively extend the service life of this product, please avoid overusing the max output power.
- 2.Please press each button and observe the display content on the LCD screen to learn the function of this product.
- 3.Short press [Backlight/Sound] button to turn on/off the backlight of the LCD screen and long press to turn on/off the sound prompt.
- 4.Press [TRIG MODE] button to switch the flash mode among ordinary on camera flash mode, TX master flash mode, RX slave flash mode, and S1/S2 slave flash mode.
- 5.When using TX/RX flash mode, short press [Gr/CH] to set groups, and long press to set channels.
- 6.The flash parameters can be adjusted by rotating [Select Dial]; all the parameters, except the flash output power, should enter the setting status before they adjusted; short press [OK] button to save the parameter settings. For more details please read the subsequent sections.
- 7.According to the trigger you use, the wireless triggering signal can be set as rF603 or rF602 from the advanced options.
- 8.This product supports M/Multi mode which can be adjusted by pressing [MODE] button.

IV. Components Discription

1.Components Discription

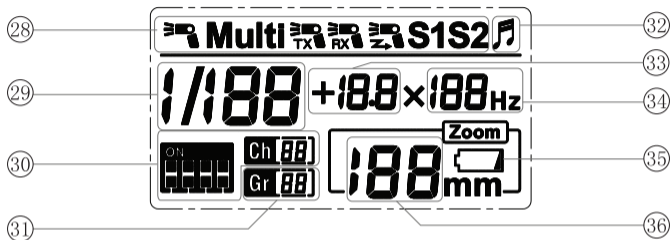


- ① Wide reflection board
- ② Wide angle diffuser
- ③ Terminal cover
- ④ Bracket mounting hole
- ⑤ PC port
- ⑥ External power source port
- ⑦ Wireless trigger sensor
- ⑧ Light trigger sensor
- ⑨ Remote indicator
- ⑩ Hot shoe contact



- ① Bounce angle index
- ② Battery compartment cover
- ③ [Gr/CH]Channel/Group button
- ④ Battery compartment cover lock lever
- ⑤ [ZOOM/Fn]Focal length/advanced options button
- ⑥ [OFF/LOCK/ON]Power/Lock switch
- ⑦ Lock-release button
- ⑧ Mounting foot lock lever
- ⑨ [Link] Wireless signal indicator
- ⑩ LCD panel
- ⑪ [Trigger mode] button
- ⑫ [Backlight/Sound] button
- ⑬ [MODE] flash mode button
- ⑭ Charging indicator light/Test button
- ⑮ [OK] Set button
- ⑯ Select Dial
- ⑰ Dust and water resistant adapter

2.LCD Panel



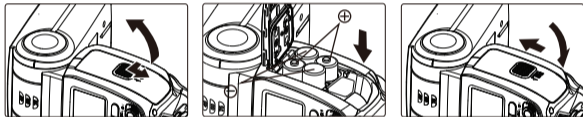
- ②8 Flash mode/trigger mode indication
- ②9 Output power indication
- ③0 Channel indication
- ③1 Group indication
- ③2 Beep
- ③3 Number of stroboscopic flash/
output power fine-tuning indication

- ③4 Stroboscopic frequency indication
- ③5 Low battery indication
- ③6 Focal length indication

V. Installation Instruction

1. Install Batteries

Slide the [battery compartment cover] in the direction of the arrow as shown to open it. Install the batteries according to the pointing on the tags in the compartment and make sure the orientation of the battery contact (+/-) is correct. Slide the [battery compartment cover] in the direction of the arrow as shown to close it. Note: please use four standard specification AA batteries. To avoid circuit, please do not use damaged batteries.



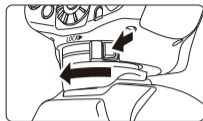
2. Attaching to the Camera

Slip the speedlite's [Mounting foot] all the way into the camera's hot shoe. As the arrow shown, turn the [Mounting foot lock lever] to the right side till the "clicks" sound heard.



3. Detach the Speedlite

To detach the speedlite, press the [lock-release button] and slide the [Mounting foot lock lever] to the left side, then detach the speedlite.

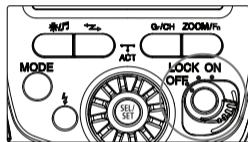


4. Power-On and Power-Off

Set the switch to <ON> position, the speedlite will turn on and start charging; after turned on, the <Charging indicator> will bright with red light which indicates it can flash.

If the battery is too low to make the speedlite keeps working, the <Charging indicator> will be with blue light blinking, and the screen will display the low power icon, then the speedlite will automatically shut down, indicating its batteries should be replaced with new ones.

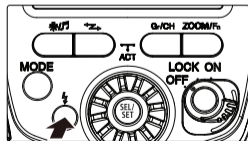
After use, set the switch to <OFF> position to turn off the power source. Please take out the batteries after the speedlite is turn off.



5. Test Flash

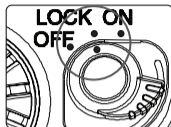
No matter in which mode, you can press the [PILOT] button to test f the speedlite flash normal.

When testing the flash, the speedlite will give flash with corresponding output level in accordance with the chosen output setting.



6. Lock Function

Set the switch to <LOCK> position to lock the operational buttons except [TEST] button. With this function, the setting parameters defined will be protected from being changed accidentally.



VI. Basic Functions

1. Basic Operations

Button Operation:

Button	Operation
[ON/LOCK/OFF] switch	1. Power on/power off; 2. Disable the buttons.
[MODE] button	Through the button can switch between ETTL/M/MULTI/Gr.
[TRIG MODE] button	Through [TRIG MODE] button can switch the trigger mode: set top/TX/RX/S1/S2.
[Backlight/Sound] button	1. Short press to turn on/off the backlight of the LCD screen; 2. Long press about 2s to turn on/off the sound prompt.
[Gr/ CH] button	1. Short press to select group: in RX mode, short press to switch between large group and small group. 2. Long press to select channel: the channel adjustment range is CH1~CH16.
Select Dial	Through the dial can adjust flash power output, channel, advanced options or other parameters.
[OK] button	1. Press this button to save the flash parameters adjusted; 2. In Multi mode, continuously short press [OK] button to select the number of stroboscopic, stroboscopic frequency and save settings in sequence.
[ZOOM]/[Fn] button	1. Short press this button to select the focal length to adjustment status; 2. Long press to enter the advanced options.
[PILOT] button	press this button to test the flash output or to wake up the speedlite which is in sleep mode.

TX master mode and RX slave mode grouping display status and meaning:

Grouping display status	Meaning	
	TX master flash mode	RX slave flash mode
GR --	The flash mode,flash output and focal length of the on camera master flash can be adjusted at the moment.	
GR A	The flash mode,flash output and focal length of the off camera Group A flash can be adjusted at the moment.	The unit used as a slave flash unit in Group A.
GR B	The flash mode,flash output and focal length of the off camera Group B flash can be adjusted at the moment.	The unit used as a slave flash unit in Group B.
GR C	The flash mode,flash output and focal length of the off camera Group C flash can be adjusted at the moment.	The unit used as a slave flash unit in Group C.
GR D	The flash mode,flash output and focal length of the off camera Group D flash can be adjusted at the moment.	The unit used as a slave flash unit in Group D.
GR E	The flash mode,flash output and focal length of the off camera Group E flash can be adjusted at the moment.	The unit used as a slave flash unit in Group E.
GR F	The flash mode,flash output and focal length of the off camera Group F flash can be adjusted at the moment.	The unit used as a slave flash unit in Group F.

Meaning of [Indicator Light]

Status of [Charging Indicator]	Meaning	Method
Red lighth	The speedlite is fully charged and can be used.	Normal
Blue light	Low battery or the speedlite has not been fully charged.	it's lighting blue for long hours, please change the batteries.
Red light blinking	The flash is in sleep mode.	PILOT/ON/OFF to wake up the speedlite.

The meaning of [Sound Prompt]

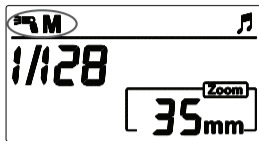
Sound mode	Meaning	Operation
Tick twice	Speedlite started/ sound switch enabled/ flash enabled	Normal.
Three tick, two times	Speedlite in charging status	Wait for fully charged.
Continuous rapid sound	Lack of electricity,the speedlite is about to shut down.	Please replace the batteries.
Tick-a long sound	The speedlite is fully charged,flash enabled.	Normal.

Meaning of [LINK] Indicator

[LINK] indicator status	Meaning	Method
Blue light	in communication status	Normal
Red light	Transmit or receive triggering signal	Normal

2. M Mode

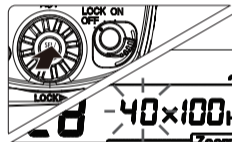
In M mode, you can set the flash output as your requirement and adjust the flash output through [Select Dial]. The adjustment range of flash output is 1/128~1/1. The output can be divided into 8 grades, and each has maximum 3 grades for fine adjustment, with grade 0.3EV and 0.5EV as adjustment increment. When shooting, you should just set the flash output, adjust the camera and press shutter, the speedlite will flash with the SYNC signal from the camera.



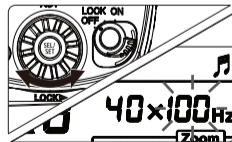
3. Multi Mode

In Multi (stroboscopic) mode, the speedlite will flash according to the flash output, flash frequency and number of flashes you set. The output power can be adjusted through [Select Dial], and the adjustment range of the output power is 1/128-1/64-1/32-1/16-1/8-1/4. To adjust the number of flashes and flash frequency, please short press [OK] button to select the item (blinking), and rotate [Select Dial] to adjust the number of flashes and flash frequency, and then short press [OK] button to save settings.

Note: In TX mode, the on top master speedlite can't be set as Multi mode. When in low battery, the charging speed of speedlite will be slow, which may cause the leakage of the stroboscopic flash. In this situation, please reduce the flash frequency or change new battery.



select the item



adjust the number

4. TX Master Flash Mode

Short press the [TRIG MODE] button to switch the trigger mode. TX master flash mode supports 2.4G wireless transmission signal, it can be used as master unit to directly trigger YN660, YN560IV and YN560III in RX slave flash mode, or used as the TX modules of the wireless trigger RF602, RF603 (II) and RF605.

Through TX master flash mode of YN660, the flash mode, flash intensity, number of stroboscopic, stroboscopic frequency and focal length of YN560III/YN560IV/YN660 in RX slave flash mode can be remotely adjusted. There are up to 6 groups of the slave units can be remotely controlled.

If you use a YN560III and it's not activated (set as RX slave flash mode and no group showing), in order to use the group control function normally, it should be activated with YN660 firstly. The activation steps are as below:

- (1) Set YN660 as TX master flash mode and YN560III as RX slave flash mode;
- (2) Respectively enter the custom options of YN660 and YN560III and select the same signal transmitting mode (rF602 or rF603), and then set the same channel.
- (3) Press [TRIG MODE] + [GR/CH] button of YN660 to enter activation signal transmitting state; when YN560III receives activation signal, short press [OK] button on YN560III to confirm activation. When the activation is finished, a GR icon will display on the LCD screen of YN560III.

