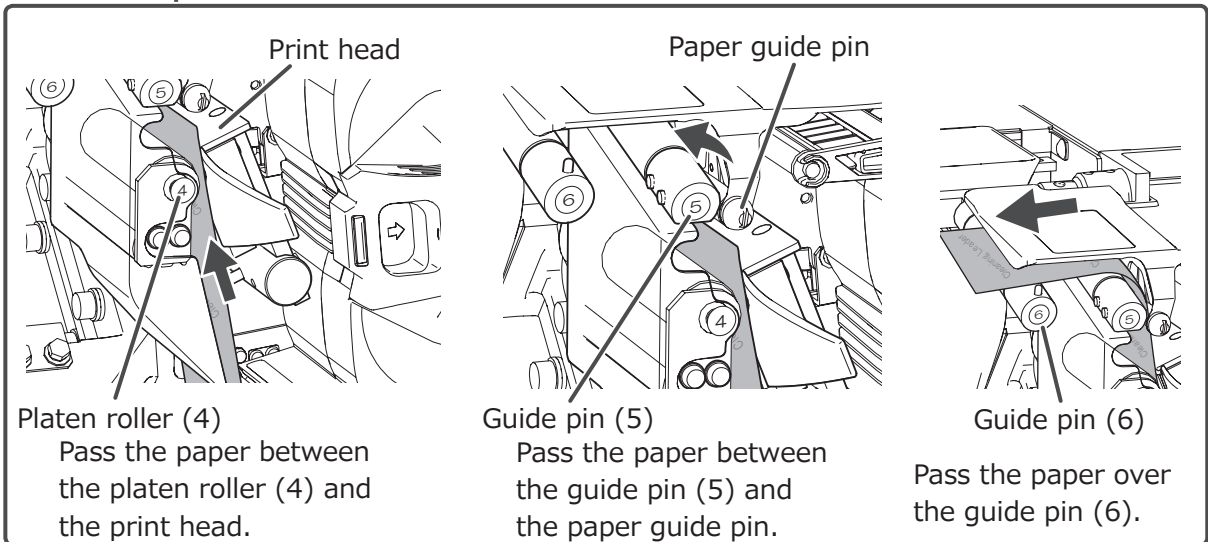
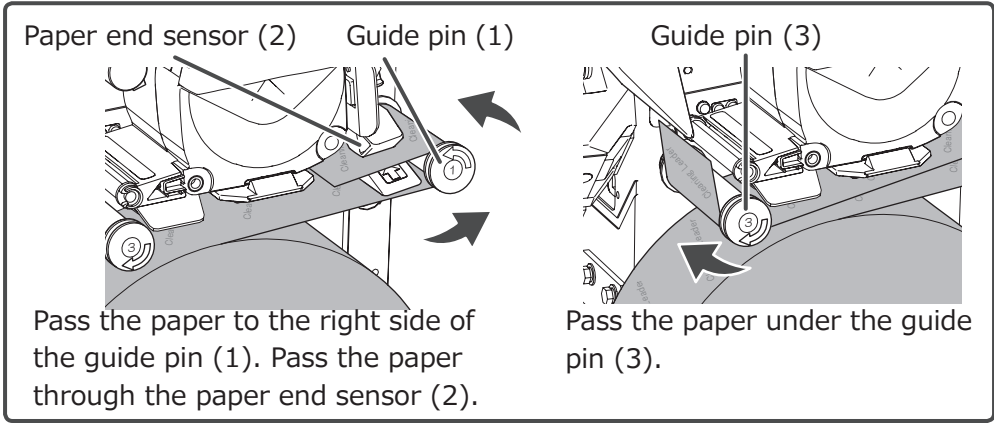
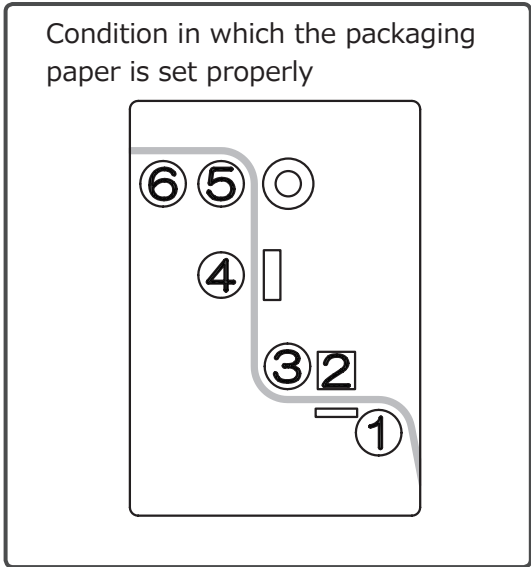
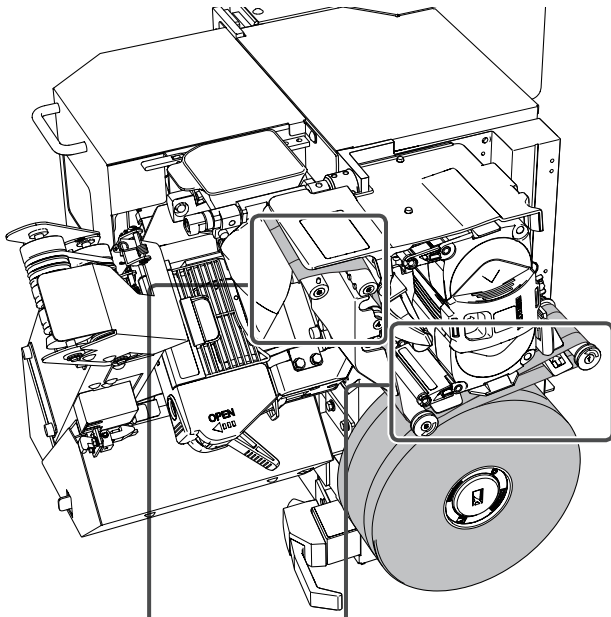


10 Set the packaging paper.

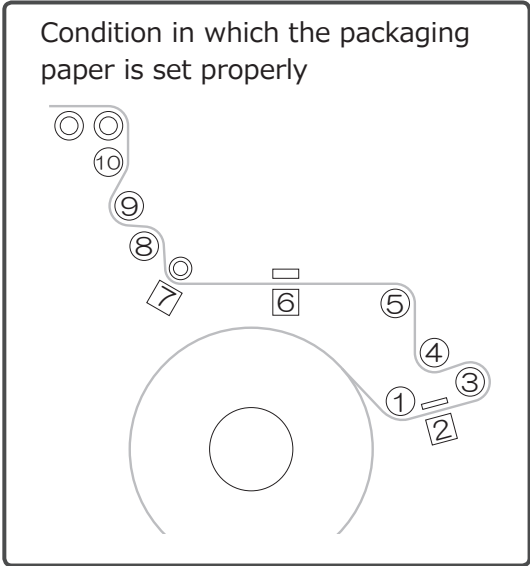
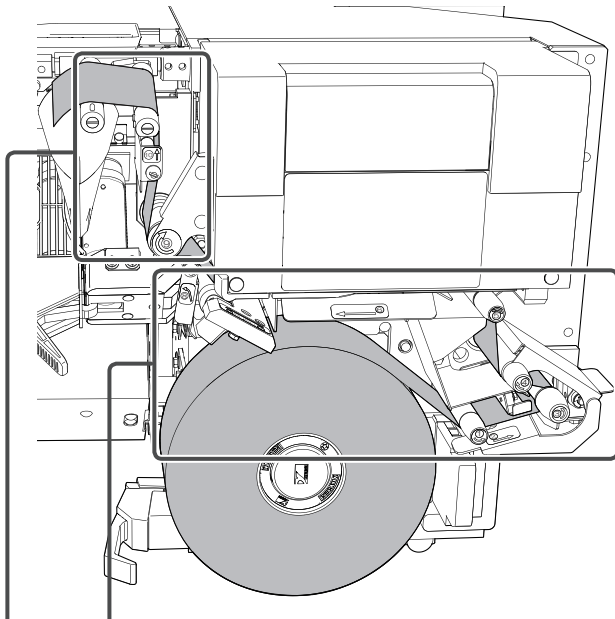
■ When the Printer is Normal



➔ Packaging Paper (Continued)

■ When the Printer is Inkjet (Option)

Note: Be sure to use the genuine packaging paper for the inkjet printer.



Guide pin (4) Guide pin (3)
Guide pin (1) Paper end sensor (2)

Pass the paper under the guide pin (1). Pass the paper through the paper end sensor (2). Pass the paper under the guide pin (3). Pass the paper to the left side of the guide pin (4).

Guide (6) Guide pin (5)

Pass the paper over the guide pin (5). Pass the paper over the guide (6).

Guide pin (8) Lever (7)

While holding the lever (7), pass the paper over the lever. Pass the paper to the right side of the guide pin (8).

Guide roller (9)

Pass the paper under the guide roller (9).

Guide (10)

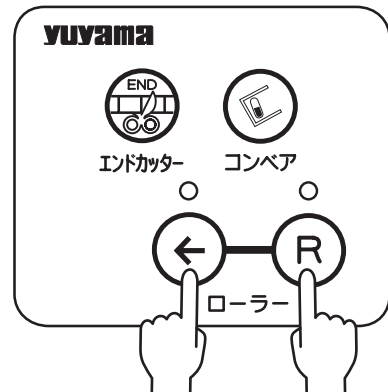
Pass the paper to the right side of the guide (10).

Paper guide roller (front)
Paper guide roller (back)

Pass the paper over the paper guide roller (back). Pass the paper over the paper guide roller (front).

11 Pass the cleaning leader through the heat roller.

Press the heat roller normal rotation button and heat roller reverse rotation button on the lower control panel at the same time in order to pass the cleaning leader easily by arranging the heat roller in an inverted V-shape.

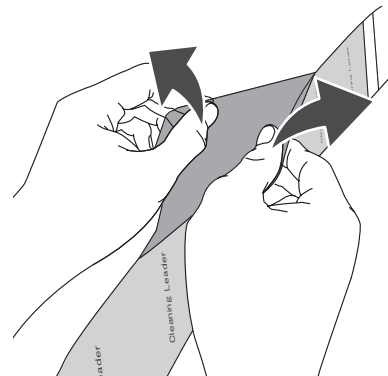


Open the cleaning leader.

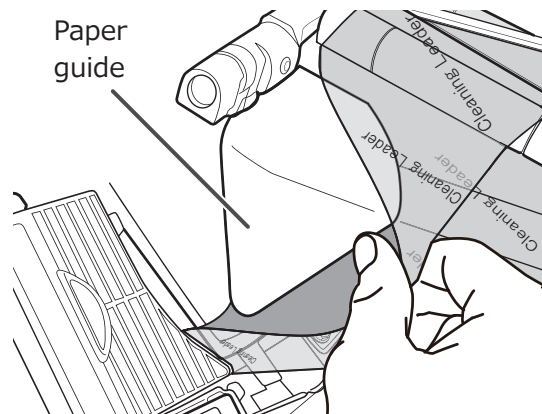


CAUTION

The head of the cleaning leader is sealed about 30cm, thus it is impossible to open the sealed part.



Pass the cleaning leader with covering the paper guide.

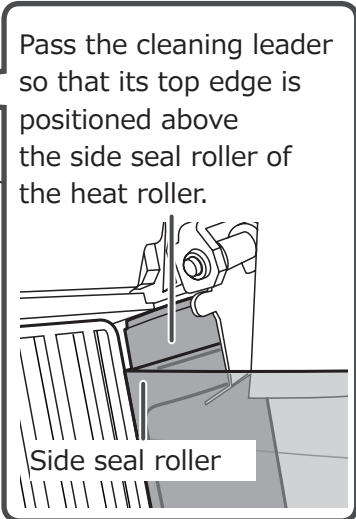
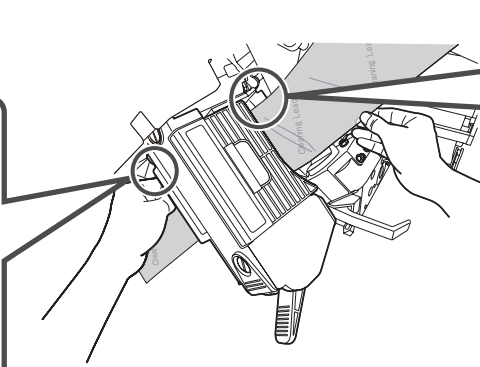
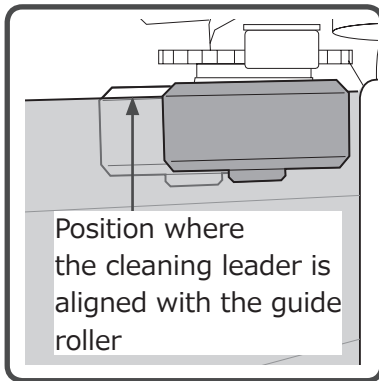


What Is the Cleaning Leader?

In order to prevent a paper jam due to the glue of the packaging paper adhering to the heat roller, the cleaning leader removes the glue from the heat roller when the packaging paper is replaced.

➔ Packaging Paper (Continued)

Pass the cleaning leader through the heat roller.

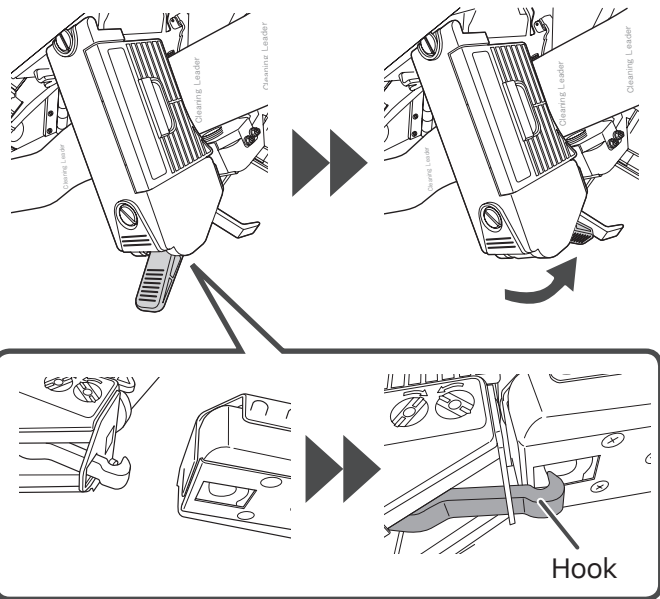


CAUTION

Be careful not to touch the surface of the heat roller because it is extremely hot.

12 Close the heat roller.

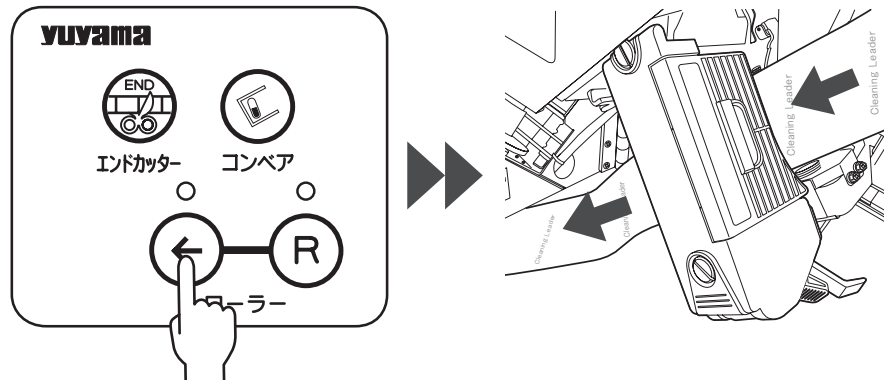
Hold the lever and hitch the hook.
Pull the lever to the right and close the heat roller.



13 Feed the cleaning leader.

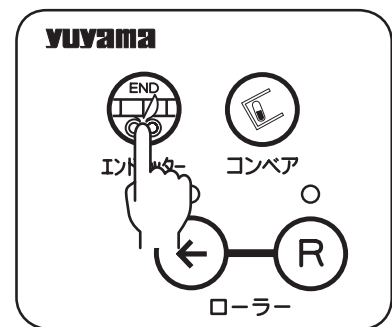
Press the heat roller normal rotation button to feed the cleaning leader.

Note: Press and hold on the heat roller normal rotation button until the cleaning leader feeding is completed.



14 Cut the packaging paper.

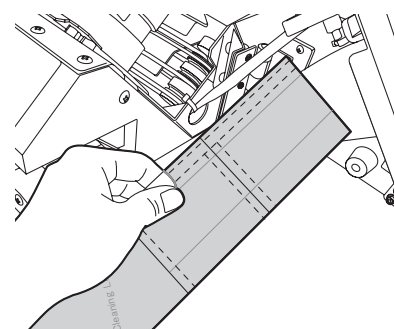
After checking that the packaging paper goes through the heat roller, press the end cutter button to cut the packaging paper.



Remove the cut packaging paper.

Check if the packaging paper is properly set in the unit.

Note: For the details of how to set the packaging paper, refer to P.84.

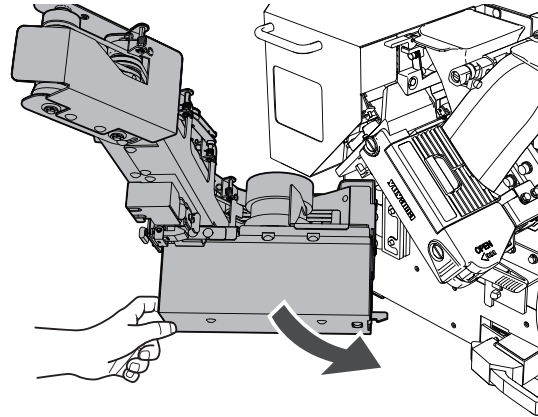


CAUTION

When the end cutter button is pressed, the conveyor works as well. Thus, be careful not to feed the cut packaging paper to the conveyor.

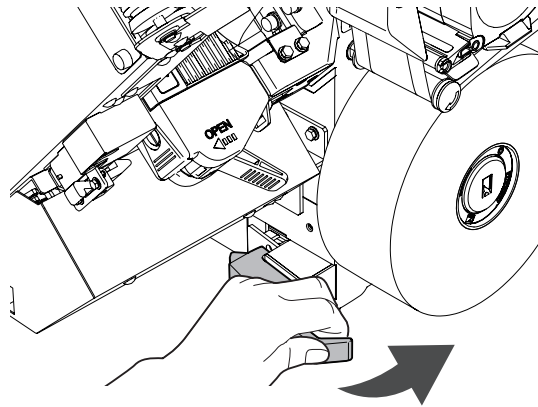
15 Close the conveyor.

Hold the handle on the conveyor unit and push the conveyor unit.
Push it all the way in until it clicks.



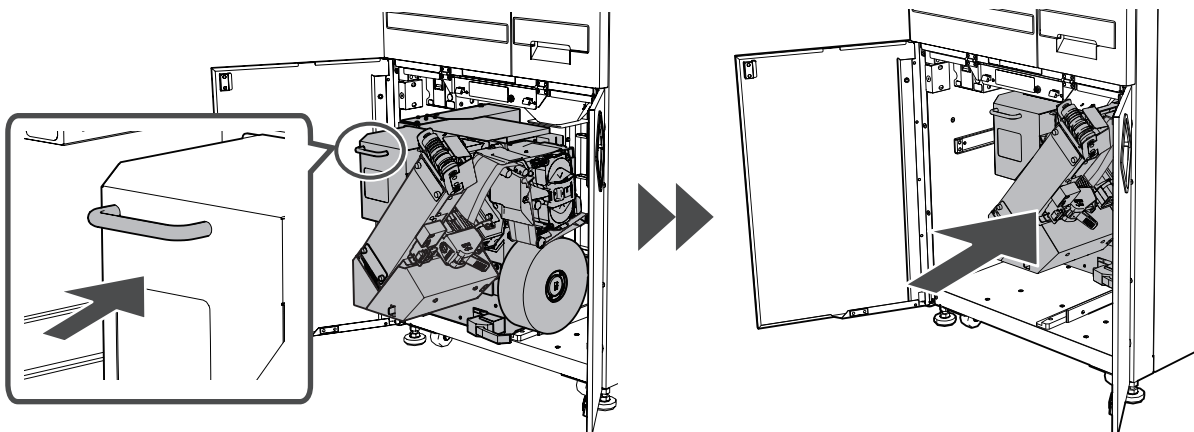
16 Return the packaging unit to its original position.

Hold the lever on the packaging unit and push the packaging unit.
Push it all the way in until it clicks.



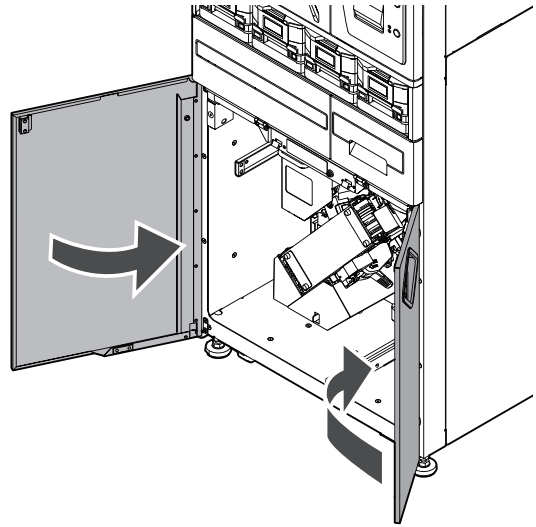
17 Set the packaging unit in place.

Hold the handle on the packaging unit and return the packaging unit to its original position.
Push it all the way in until it clicks.
When the packaging unit is set in place, the beep sound is played.

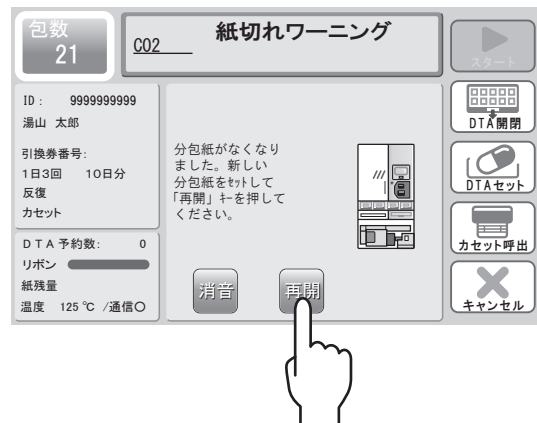


18 Close the lower doors.

Close the right door first and then close the left door.

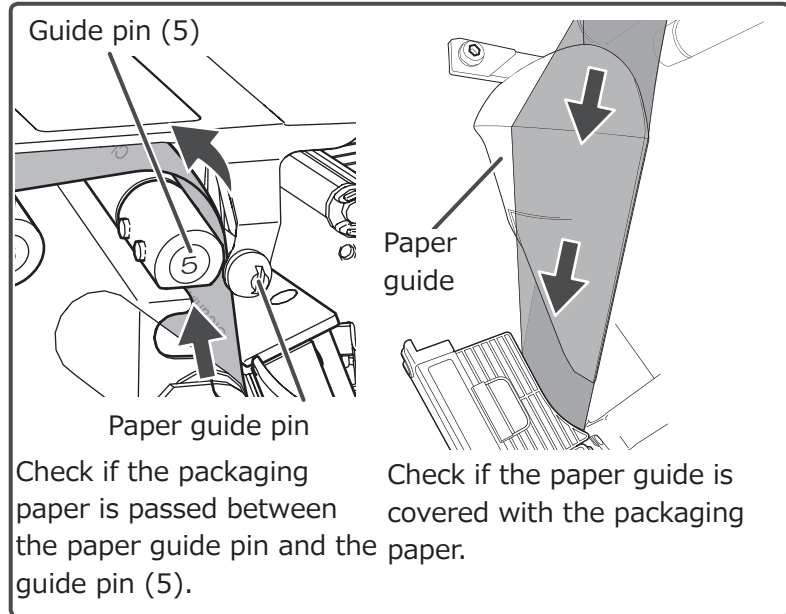
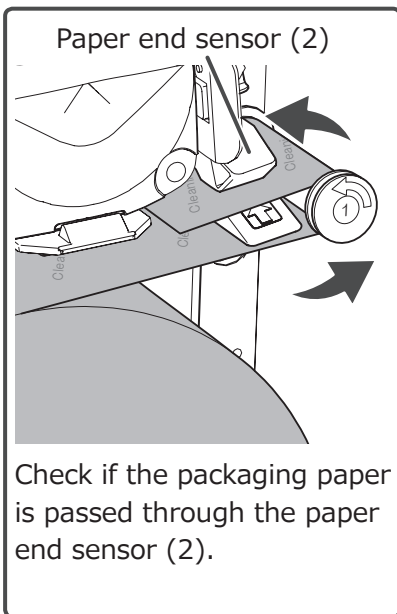
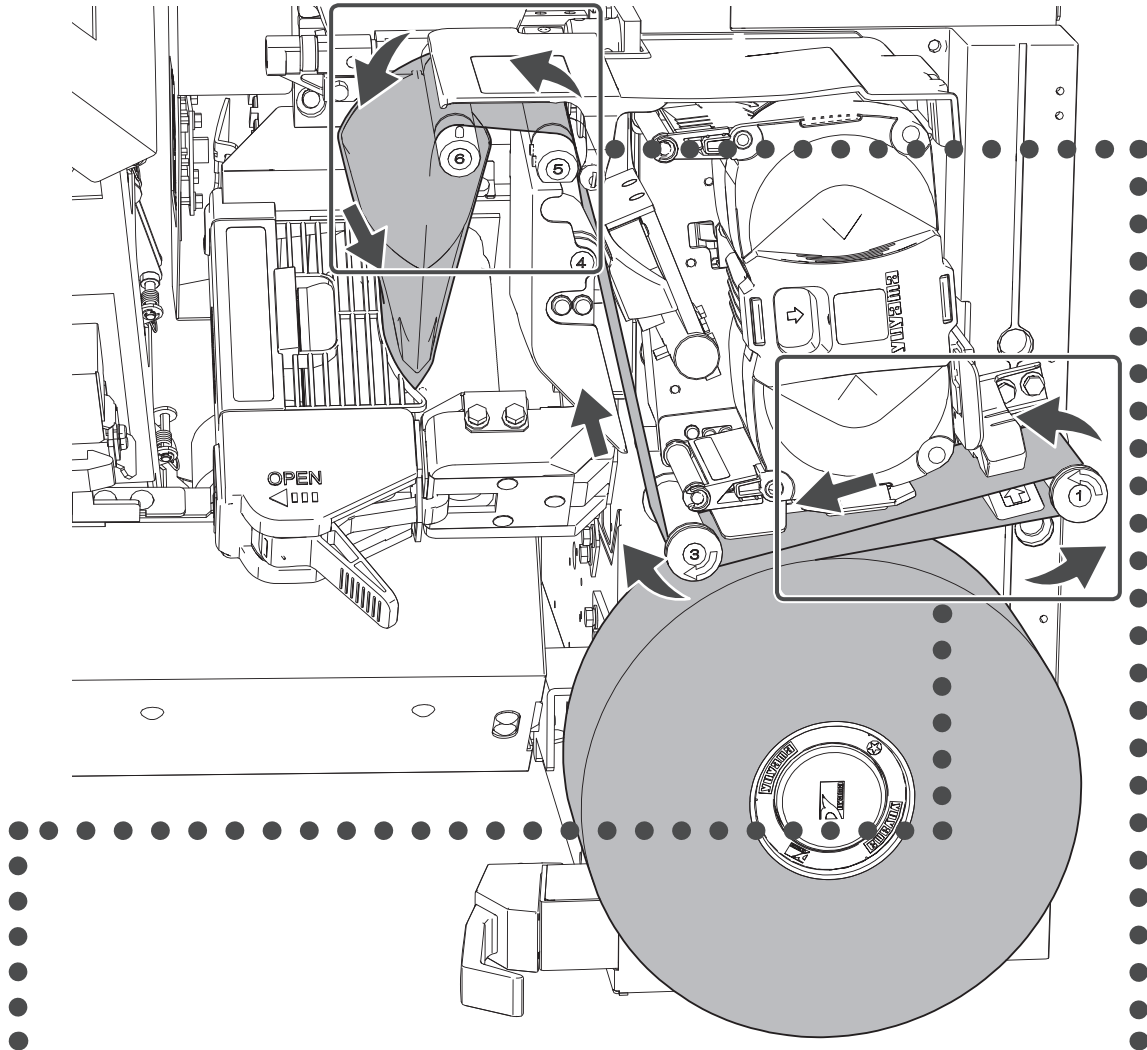


Tap [Resume] to restart packaging.



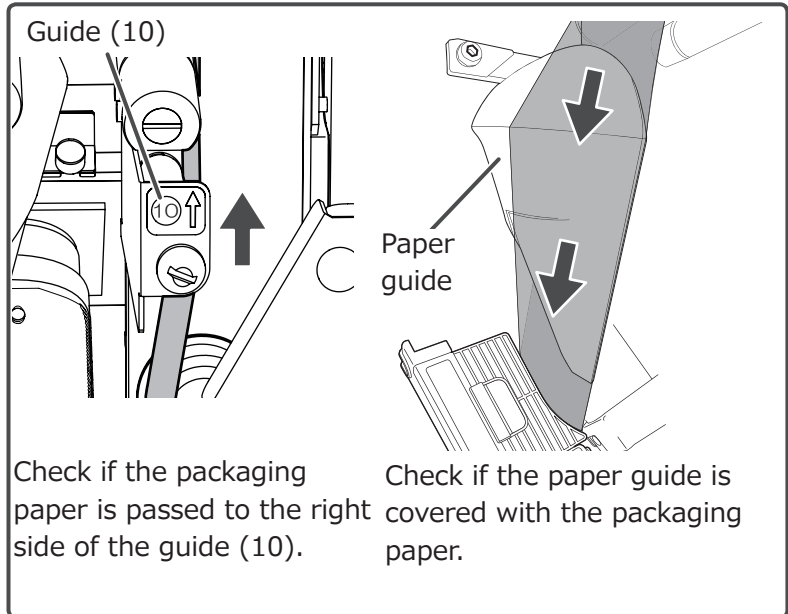
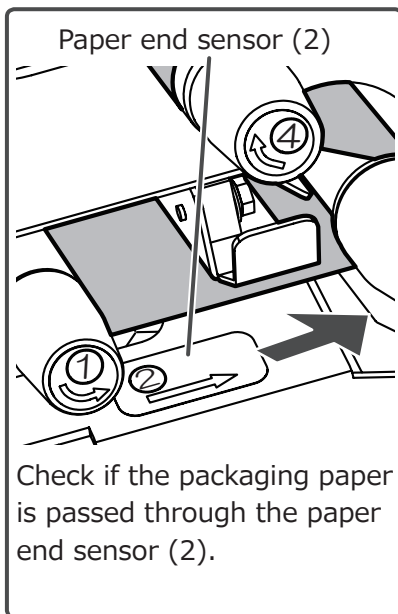
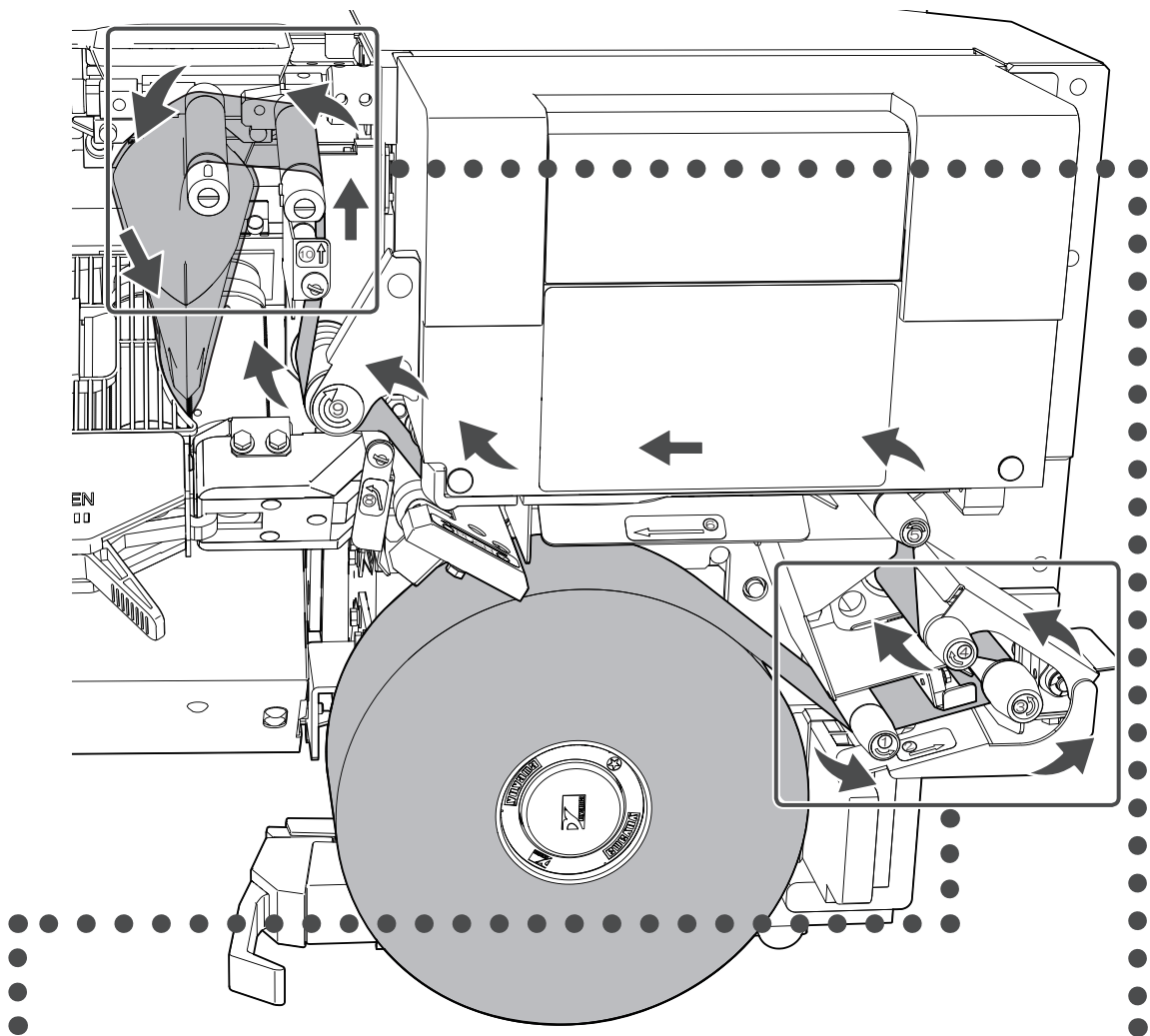
How to Set the Packaging Paper

When the Printer is Normal



Note: Be sure to pass the packaging paper in order starting from Step 1.

When the Printer is Inkjet (Option)



Note: Be sure to pass the packaging paper in order starting from Step 1.

If the ink ribbon cartridge becomes empty during dispensing, the warning appears and the packaging machine stops operation.
Replace the ink ribbon with the new one.

CAUTION

- Use the ink ribbon in the following ambient conditions:
The temperature range should be between 10°C and 35°C .
The humidity range should be between 15% and 85%. (No condensation allowed)
Note: Use the ink ribbon at humidity of 48% or less when the temperature is 35°C and at temperature of 28°C or less when the humidity is 85%.
Failure to follow this instruction may result in poor print quality such as faint printing or torn ribbon.
- Do not touch the ink ribbon by bare hands. Doing so may result in faint printing due to adhesion of fingerprints or stains.

1 The warning appears.

The printer ink ribbon out warning is displayed on the touch panel and the audio guidance is played.
Tap [Mute] to stop the audio guidance.

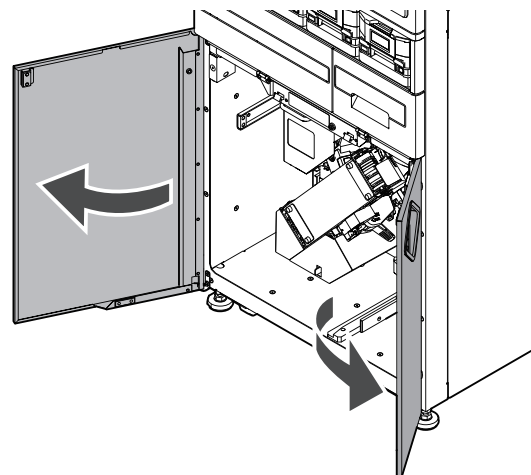


Tips

If there is a string of pouches in front of the lower doors when you try to open them, press the End Cutter button.

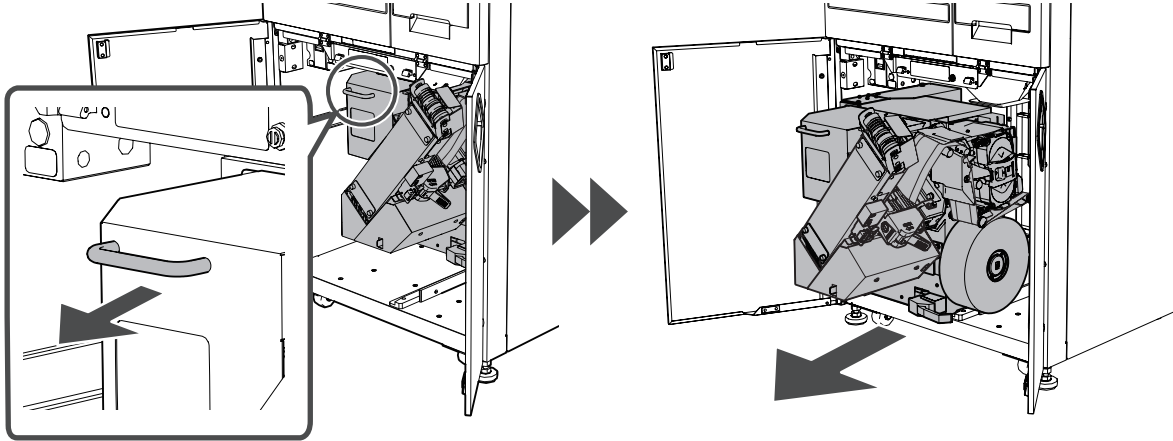
2 Open the lower doors.

Open the left door first and then open the right door.



3 Pull out the packaging unit.

Hold the handle on the packaging unit and then pull it out.



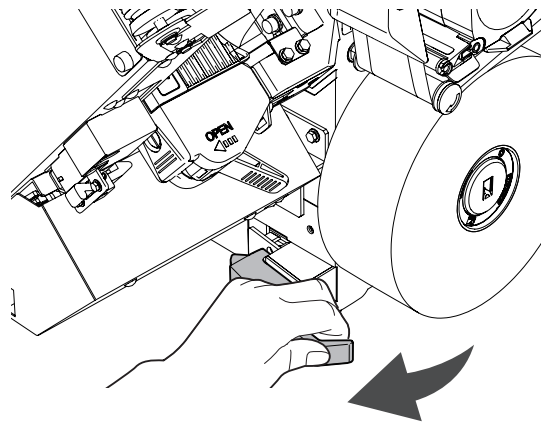
4 Open the packaging unit.

Pull the lever on the packaging unit.
After unlocking the packaging unit, pull it out.



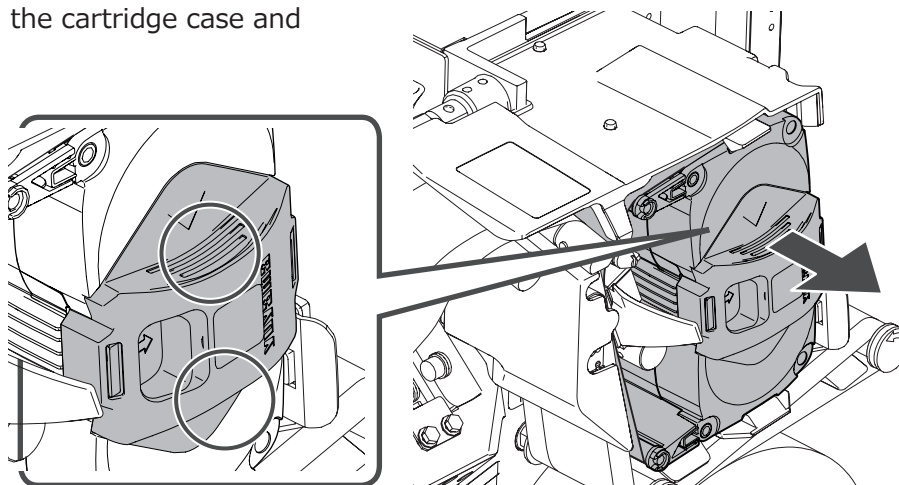
CAUTION

When opening the packaging unit, be careful not to hit against something that could damage the packaging unit.



5 Remove the ink ribbon cartridge.

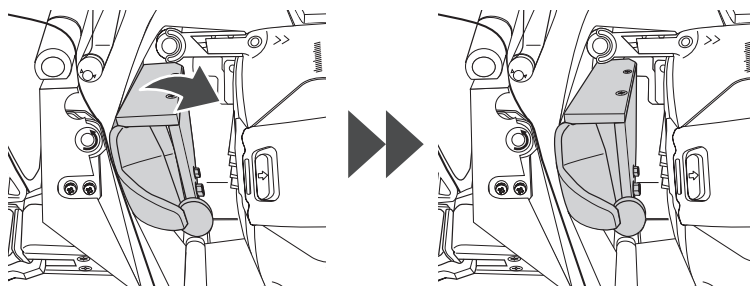
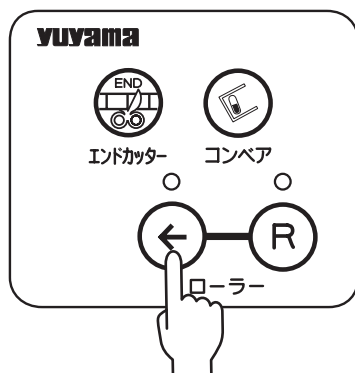
Hold two grooves on the cartridge case and take it out.



Tips

When the packaging unit is pulled out while dispensing (printing) is suspended, the print head is closed.

When opening the print head, press the heat roller normal rotation button.

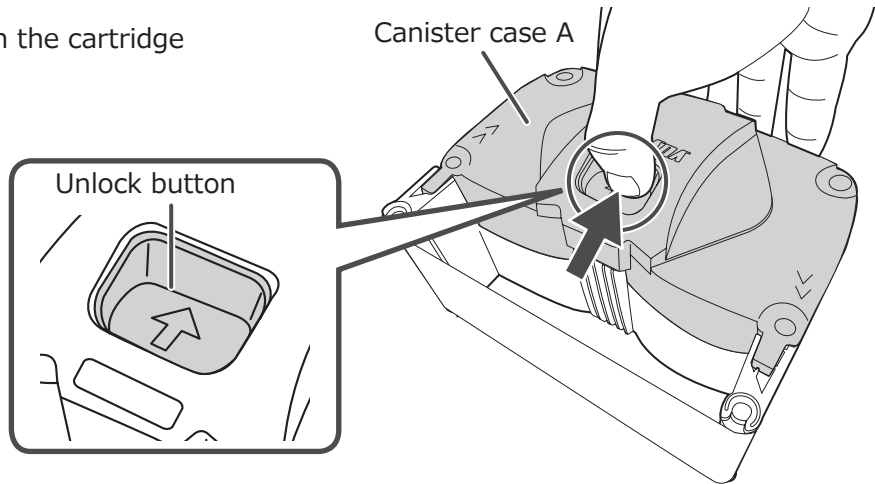


6 Remove the cartridge case.

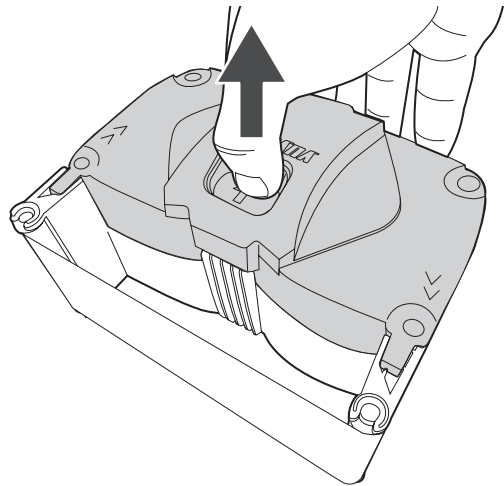
CAUTION

When replacing the ink ribbon, place the cartridge case on a flat surface such as a table or worktable.

Push the unlock button on the cartridge case A.

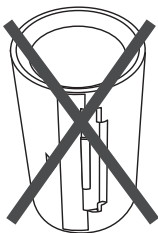


Lift the cartridge case A to remove it.



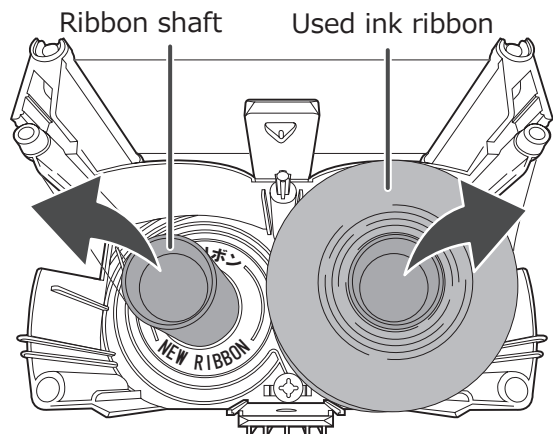
7 Remove the ink ribbon.

Remove the used ink ribbon and ribbon shaft.



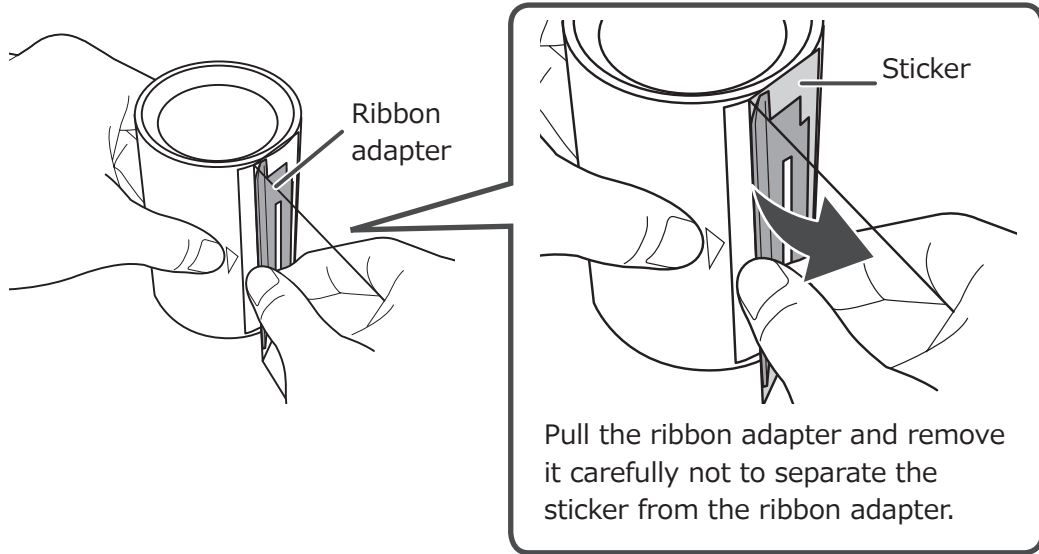
CAUTION FOR DISPOSAL

The ink ribbon shaft is reused when replacing the ink ribbon to the new one, and thus do not dispose of it.



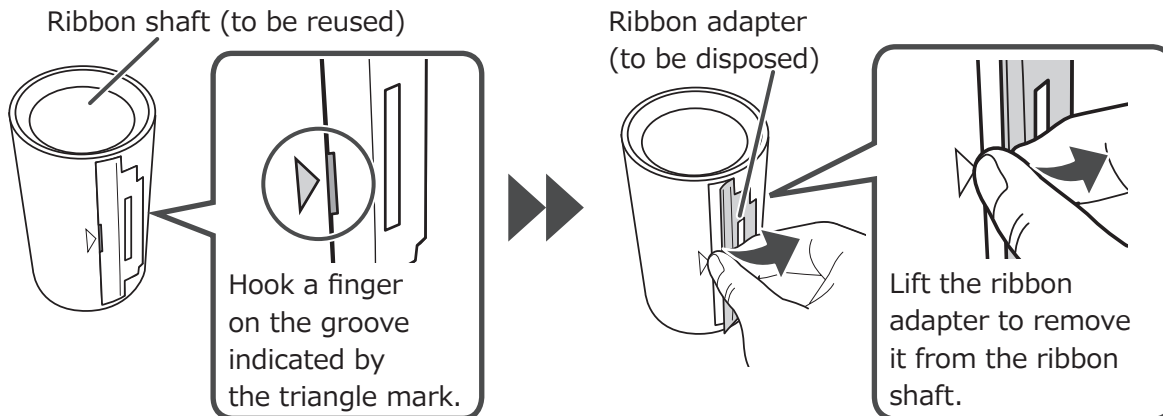
➔ Ink Ribbon Cartridge (Continued)

Remove the ribbon adapter from the ribbon shaft to be reused.



Tips

If only the sticker is removed, be sure to remove the ribbon adapter as well.



Note: After removing the ribbon adapter, dispose of it.