

CD-40 CHARGER CRADLE

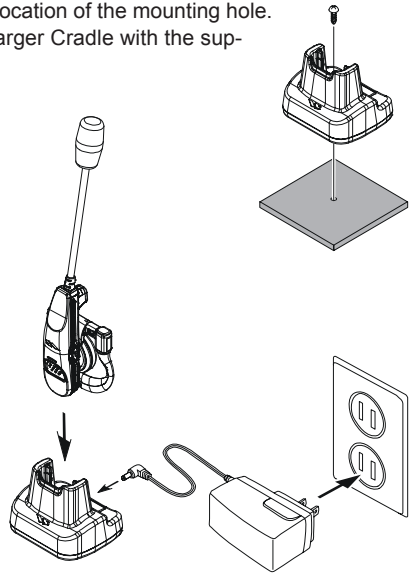
This Charger Cradle enables charging of the battery for the Vertex Standard **Bluetooth**[®] Headset*. This Charger Cradle includes the **NC-85** AC Adapter.

INSTALLATION

1. Use the Charger Cradle as a template to mark the location of the mounting hole.
2. Drill pilot hole with a small drill, and secure the Charger Cradle with the supplied self-tapping screw.

OPERATION

1. Insert the DC plug from the **NC-85** AC Adapter into the DC jack on the rear panel of the **CD-40** Charger Cradle, then plug the **NC-85** AC Adapter into the AC line outlet.
2. Confirm that the **Bluetooth**[®] Headset is turned "OFF", then Insert the **Bluetooth**[®] Headset into the **CD-40** Charger Cradle while aligning the slots of the **Bluetooth**[®] Headset with the guides on the **CD-40** Charger Cradle; refer to the illustration at the right.
3. If the **Bluetooth**[®] Headset is inserted correctly, the LED indicator on the **Bluetooth**[®] Headset will glow red. A fully-discharged battery will be charged completely in approximately 3 hours.
4. When charging is completed, the LED indicator will change to blue.
5. Disconnect the **Bluetooth**[®] Headset from the **CD-40** Charger Cradle, and unplug the **NC-85** AC Adapter from the AC line outlet.



IMPORTANT NOTES!

- Turn off the **Bluetooth**[®] Headset while charging.
- Do not connect an improper AC Adapter. Use only the supplied **NC-85** AC Adapter.
- This Charger Cradle is designed for charging the **Bluetooth**[®] Headset only.
- Do not charge an improper battery (one not specifically designed for use in the **CD-40** Charger Cradle).
- Disconnect the **Bluetooth**[®] Headset from the **CD-40** Charger Cradle, and unplug the **NC-85** AC Adapter from the AC line outlet, when charging is completed.
- The **NC-85** AC Adapter will generate a moderate amount of heat during the charging process. This is a normal condition.
- Periodically wipe the charging terminals of the **CD-40** Charger Cradle, using a dry cloth, to ensure good connections between the charger and battery.

⚠ CAUTION!!

Do not allow any metal objects to short the terminals of the **CD-40** Charger Cradle, as a short-circuit could cause overheating of the **NC-85** AC Adapter.

SPECIFICATIONS

Charging Current (approx.): 70 mA

Charge Time (approx.): 3 hours

Operating Temperature Range: +5 °C to +35 °C

CD-40 Case Size (W x H x D): 60 x 45.8 x 50 mm

CD-40 Weight (approx.): 23 g

NC-85 Input Voltage: 120 VAC (NC-85B)

200 VAC (NC-85C)

230 VAC (NC-85U)

※ Check with your Vertex Standard dealer for a list of current **Bluetooth**[®] Headset that may be used with this Charger Cradle.

VERTEX STANDARD CO., LTD.

