

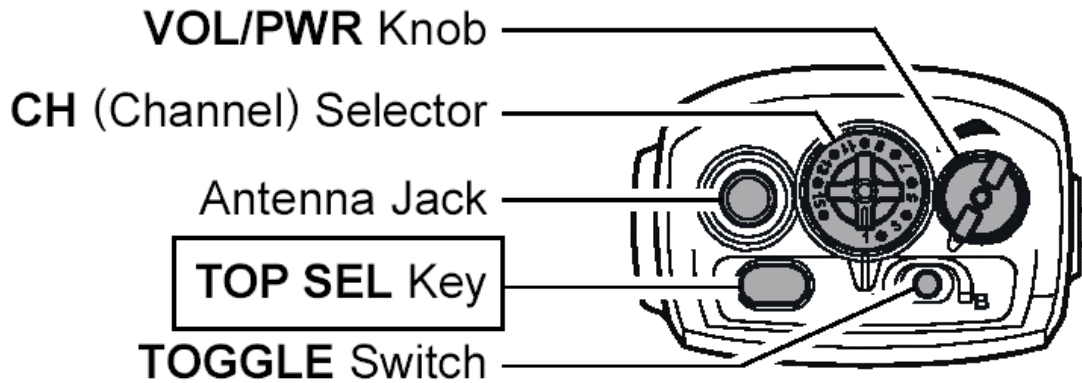
■ **How to change the Channel Group.**

As shown in tables below, Group 01 is assigned to analog channel group, and Group 02 is assigned to digital channel group.

| VX-P929-D0-5 Channel Settings | | | | | | |
|-------------------------------|--------------|--------------------------|-------------------------|------------|-------|-----|
| Group 01 | | | | | | |
| CH No. | Shown on LCD | Transmit Frequency [MHz] | Receive Frequency [MHz] | CH Spacing | Power | |
| | | | | | High | Low |
| 1 | 134.0MHz Wid | 134.000 | 134.000 | 25k | 5W | |
| 2 | 154.0MHz Wid | 154.000 | 154.000 | 25k | 5W | |
| 3 | 174.0MHz Wid | 174.000 | 174.000 | 25k | 5W | |
| 4 | 134.0MHz Nar | 134.000 | 134.000 | 12.5k | 5W | |
| 5 | 154.0MHz Nar | 154.000 | 154.000 | 12.5k | 5W | |
| 6 | 174.0MHz Nar | 174.000 | 174.000 | 12.5k | 5W | |
| 7 | 134.0MHz W_L | 134.000 | 134.000 | 25k | | 1W |
| 8 | 154.0MHz W_L | 154.000 | 154.000 | 25k | | 1W |
| 9 | 174.0MHz W_L | 174.000 | 174.000 | 25k | | 1W |
| 10 | 134.0MHz N_L | 134.000 | 134.000 | 12.5k | | 1W |
| 11 | 154.0MHz N_L | 154.000 | 154.000 | 12.5k | | 1W |
| 12 | 174.0MHz N_L | 174.000 | 174.000 | 12.5k | | 1W |
| 13 | Sub 450.1 M | 134.000 | 450.100 | 25k | | 1W |
| 14 | Sub 481.1 M | 154.000 | 481.100 | 25k | | 1W |
| 15 | Sub 512.1 M | 174.000 | 512.100 | 25k | | 1W |
| 16 | | | | | | |

| Group 02 | | | | | | |
|----------|--------------|--------------------------|-------------------------|------------|-------|-----|
| CH No. | Shown on LCD | Transmit Frequency [MHz] | Receive Frequency [MHz] | CH Spacing | Power | |
| | | | | | High | Low |
| 1 | 134 DIG H | 134.0000 | 134.0000 | | 5W | |
| 2 | 154 DIG H | 154.0000 | 154.0000 | | 5W | |
| 3 | 174 DIG H | 174.0000 | 174.0000 | | 5W | |
| 4 | 134 DIG L | 134.0000 | 134.0000 | | | 1W |
| 5 | 154 DIG L | 154.0000 | 154.0000 | | | 1W |
| 6 | 174 DIG L | 174.0000 | 174.0000 | | | 1W |
| 7 | | | | | | |
| 8 | | | | | | |
| 9 | | | | | | |
| 10 | | | | | | |
| 11 | | | | | | |
| 12 | | | | | | |
| 13 | | | | | | |
| 14 | | | | | | |
| 15 | | | | | | |
| 16 | | | | | | |

You can change the Channel Group by pressing the "TOP SEL Key" as shown below.



When you first turn on the radio, LCD shows as below.

On the upper right of the LCD, You can see the figures of " - H - " (meaning Home Channel) or " 01 ". these figures mean you are now in the group 01.



if you press the TOP SEL Key, LCD changes as below. On the upper right of the LCD, You can see the figures of " 02 ".this indication mean you are now in the group 02.

