

## Accessories & Options

### Supplied Accessories

- SBR-24LI 7.4 V, 1800 mAh Lithium-Ion Battery Pack
- SAD-11C/F/U\*1 Battery Charger
- SAD-18B\*2 Battery Charger
- Antenna
- Belt Clip
- USB cable
- Operating Manual (this manual)
- Quick Manual
- Warranty Card
  - Ensure that the name of the dealer from which you purchased the transceiver and the date of purchase are indicated on the warranty card.
  - If any item is missing, contact the dealer from which you purchased the transceiver.



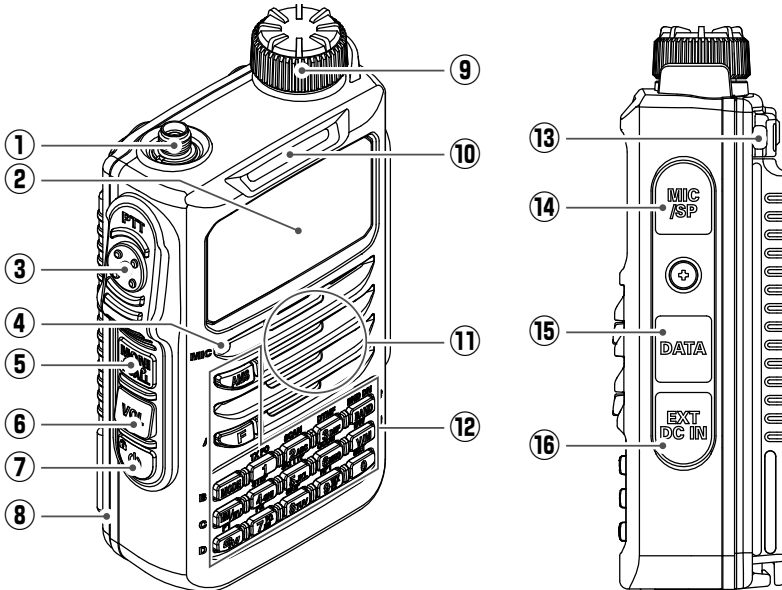
### Available Options

- SBR-24LI 7.4 V, 1800 mAh Lithium-Ion Battery Pack
  - SAD-11C/F/U\*1 Battery Charger
  - SAD-18B\*2 Battery Charger
  - SBH-28 Rapid Charger
  - SDD-13 DC Cable with Noise Filter and Cigarette-Lighter Plug
  - E-DC-6 DC Cable (USA/EXP market only)
  - MH-34B4B Speaker / Microphone
  - SSM-57A Earpiece Microphone
  - SSM-63A VOX Headset
  - CT-44 Microphone Adapter
  - CN-3 BNC-to-SMA Adapter (BNCJ-SMAP)
  - SHC-27 Soft Case
  - CT-27 Cloning Cable
- \*1 "B" suffix is for use with 120 VAC (Type-A plug), "C" suffix is for use with 230-240 VAC (Type-C plug), "F" suffix is for use with 220 VAC, "H" suffix is for use with 220-230 VAC (Australian plug), and "U" suffix is for use with 230 VAC (Type-BF plug).
- \*2 USA Version

*Availability of accessories may vary. Some accessories are supplied as standard per local requirements, while others may be unavailable in some regions. Consult your Yaesu Dealer for details regarding these and any newly-available options. Connection of any accessory not approved by Yaesu, should it cause damage, may void the Limited Warranty on this apparatus.*

## Controls & Connections

### Transceiver



①	<b>Antenna Jack (SMA)*</b>
②	<b>LCD (Liquid Crystal Display)</b> The display shows current operating conditions.
③	<b>[PTT] switch</b> <ul style="list-style-type: none"> <li>• Press and hold [PTT] switch to transmit, and release it to receive.</li> <li>• In the Set mode, press this switch to save the new setting and return to normal operation.</li> </ul>
④	<b>Microphone</b>
⑤	<b>[MONI/T.CALL] Switch</b> USA/EXP version While <b>[MONI/T.CALL]</b> Switch is pressed: Squelch OFF European version While <b>[MONI/T.CALL]</b> Switch is pressed: T.CALL
⑥	<b>[VOL] Switch</b> Rotate the <b>DIAL</b> knob while pressing and holding this key to adjust the audio volume level.
⑦	<b>[Power] (Lock) Switch</b> <ul style="list-style-type: none"> <li>• When the power is off, press and hold: Power on</li> <li>• When the power is on, press and hold: Power off</li> <li>• When the power is on, press : Engages and releases the key lock</li> </ul>

## Controls & Connections

<b>⑧</b>	<b>Battery pack*</b>																						
<b>⑨</b>	<b>DIAL Knob</b> <ul style="list-style-type: none"> <li>• Rotate to change the frequency or select a memory channel.</li> <li>• Rotate to select the desired item for set mode.</li> </ul>																						
<b>⑩</b>	<b>MODE/STATUS Indicator</b> Indicates the transmission/reception status with a two-color combination on the upper and lower portions of the Mode/Status indicator. <table border="1" style="width: 100%; border-collapse: collapse; margin-top: 10px;"> <thead> <tr style="background-color: #ccc;"> <th colspan="2" style="text-align: center;">Communication status</th> <th style="text-align: center;">Left portion</th> <th style="text-align: center;">Right portion</th> </tr> </thead> <tbody> <tr> <td rowspan="4" style="text-align: center; vertical-align: middle;"><b>Receiving</b></td> <td style="text-align: center;">Analog Audio</td> <td rowspan="4" style="text-align: center; vertical-align: middle;">Green</td> <td style="text-align: center;">Green</td> </tr> <tr> <td style="text-align: center;">Digital Audio</td> <td style="text-align: center;">Blue</td> </tr> <tr> <td style="text-align: center;">Digital Data</td> <td style="text-align: center;">White</td> </tr> <tr> <td style="text-align: center;">Receiving signals with unmatched tone frequency or DCS code</td> <td style="text-align: center;">Blink in blue</td> </tr> <tr> <td rowspan="3" style="text-align: center; vertical-align: middle;"><b>Transmitting</b></td> <td style="text-align: center;">Analog Audio</td> <td rowspan="3" style="text-align: center; vertical-align: middle;">Red</td> <td style="text-align: center;">Red</td> </tr> <tr> <td style="text-align: center;">Digital Audio</td> <td style="text-align: center;">Blue</td> </tr> <tr> <td style="text-align: center;">Digital Data</td> <td style="text-align: center;">White</td> </tr> </tbody> </table>	Communication status		Left portion	Right portion	<b>Receiving</b>	Analog Audio	Green	Green	Digital Audio	Blue	Digital Data	White	Receiving signals with unmatched tone frequency or DCS code	Blink in blue	<b>Transmitting</b>	Analog Audio	Red	Red	Digital Audio	Blue	Digital Data	White
Communication status		Left portion	Right portion																				
<b>Receiving</b>	Analog Audio	Green	Green																				
	Digital Audio		Blue																				
	Digital Data		White																				
	Receiving signals with unmatched tone frequency or DCS code		Blink in blue																				
<b>Transmitting</b>	Analog Audio	Red	Red																				
	Digital Audio		Blue																				
	Digital Data		White																				
<b>⑪</b>	<b>Speaker</b>																						
<b>⑫</b>	<b>Keypad</b> The functions of the keys are described in detail on the next page.																						
<b>⑬</b>	<b>Strap Hole</b>																						
<b>⑭</b>	<b>MIC/SP jack*</b> Connect a speaker microphone or earpiece microphone to this jack. The waterproof protection cannot be attained when an external microphone is connected. <div style="border: 1px solid black; padding: 5px; margin-top: 10px;">  Do not connect any microphone which is not specified by Yaesu. A failure can result.                 </div>																						
<b>⑮</b>	<b>DATA Jack*</b> <ul style="list-style-type: none"> <li>• Connect to the PC using a supplied USB cable.</li> <li>* For instruction to update the firmware, access <a href="http://www.yaesu.com">YAESU website</a>.</li> </ul>																						
<b>⑯</b>	<b>EXT DC IN Jack*</b> <ul style="list-style-type: none"> <li>• When charging the battery pack, connect the battery charger to this jack.</li> <li>• In the USA/EXP market, connect an external power supply adapter with a cigarette lighter plug (SDD-13) or an external power cable (E-DC-6) to this jack.</li> </ul> <div style="border: 1px solid black; padding: 5px; margin-top: 10px;">  Do not connect any battery charger which is not specified by Yaesu. A failure can result.                 </div>																						

\*: When the included antenna and battery pack are installed and the MIC/SP jack, EXT DC IN jack, and DATA jack are securely covered with rubber caps, the FT-70DR/DE meets the waterproofing performance conforming to IP54 (See page 4).

## Controls & Connections

Key	Primary Function (PRESS Key)		Secondary Function (PRESS [F] + Key)	Third Function (Press and Hold)
	VFO or Memory Recall	Inputting Memory Tag		
AMS	Activates the AMS feature	—	Selects AMS Mode (AUTO/MANUAL/FM FIX/DN FIX/VW FIX)	—
F	Activates the “Secondary”key function	—	Enters the Set mode.	Deactivates the “Secondary”key function
MODE	Selects the receive mode among FM(AM), DN and VW	Moves the cursor to the left.	Switches between the frequency display and memory tag display	—
HM/RV	Recall the “HOME” (favorite frequency) channel	—	Reverses the transmit and receive frequencies while working through a repeater	—
GM	Turns on/off the GM function	Press and hold this key to erase all characters after the cursor	—	Selects the DG-ID or DP-ID
BAND	Moves operation to the next-highest frequency band	Moves the cursor to the right	Moves operation to the next-lowest frequency band	—
V/M	Switches between the VFO mode and Memory Channel mode	Press and hold [V/M] key to complete the memory channel registration	Enables the Dual Watch function	Activates the “Memory Write” mode (for memory channel storage)
1	Number “1”	Number “1”	Selects the desired transmit power output level.	—
2	Number “2”	Number “2”, or characters “A”, “B”, or “C”	Starts the scanner upward (toward a higher frequency or a higher channel number)	—
3	Number “3”	Number “3”, or characters “D”, “E”, or “F”	Selects the DTMF mode.	—
4	Number “4”	Number “4”, characters “G”, “H”, or “I”	Selects the frequency steps	—
5	Number “5”	Number “5”, characters “J”, “K”, or “L”	Activates the CTCSS or DCS operation	—

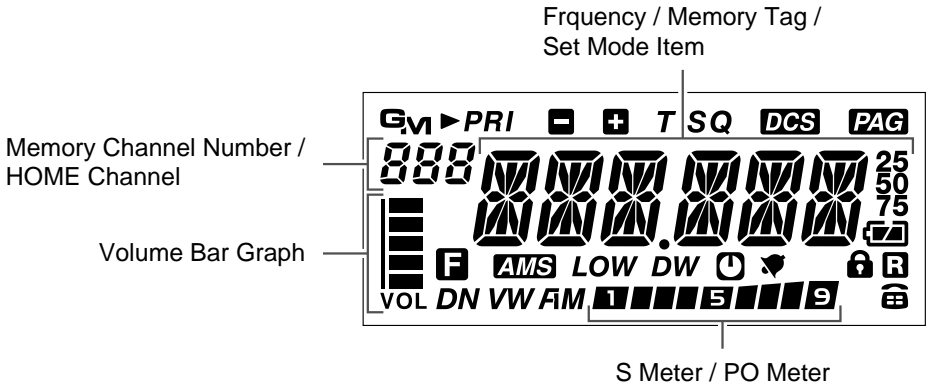
## Controls & Connections

Key	Primary Function (PRESS Key)		Secondary Function (PRESS [F] + Key)	Third Function (Press and Hold)
	VFO or Memory Recall	Inputting Memory Tag		
6	Number "6"	Number "6", or characters "M", "N", or "O"	Selects the CTCSS Tone or DCS code	—
7	Number "7"	Number "7", or characters "P", "Q", "R", or "S"	P1* (Enters the Set mode [13 DC VLT])	—
8	Number "8"	Number "8", or characters "T", "U", or "V"	P2* (Enters the Set mode [57 RX MOD])	—
9	Number "9"	Number "9", or characters "W", "X", "Y", or "Z"	Selects the Memory Scan "Skip" channel or "Select" channel	—
0	Number "0"	Number "0", or symbols "(space)", "-", "/", "?", or "!"	Selects the direction of the up link frequency shift (either "-", "+", or "simplex") during repeater operation.	Press and hold this key will fix the digits after the cursor with zeros during frequency input.

\*: You can program the secondary function of the key to another function.

# Controls & Connections

## Display



Icon	Description of operation
<b>GM</b>	GM (Gropu Monitor) Feature Active
<b>▶</b>	<ul style="list-style-type: none"> <li><b>▶</b> :SKIP Scan Channel</li> <li><b>▶▶▶</b> :Preferential Scan Channel (blink)</li> </ul>
<b>PRI</b>	Priority Channel
<b>- +</b>	Repeater Shift Direction
<b>T</b> <b>SQ</b> <b>DCS</b>	<ul style="list-style-type: none"> <li><b>T</b> :Tone Encoder Active</li> <li><b>T SQ</b> :Tone Squelch Active</li> <li><b>DCS</b> :Tone Squelch Active</li> </ul>
<b>PAG</b>	PAGER Feature Active
<b>Battery Icon</b>	Displays battery condition <ul style="list-style-type: none"> <li><b>Full Battery Icon</b> :Full battery power</li> <li><b>Enough Battery Icon</b> :Enough battery power</li> <li><b>Poor Battery Icon</b> :Poor battery power. Charge battery</li> <li><b>Blinking Battery Icon</b> :Charge battery immediately (blink)</li> </ul>