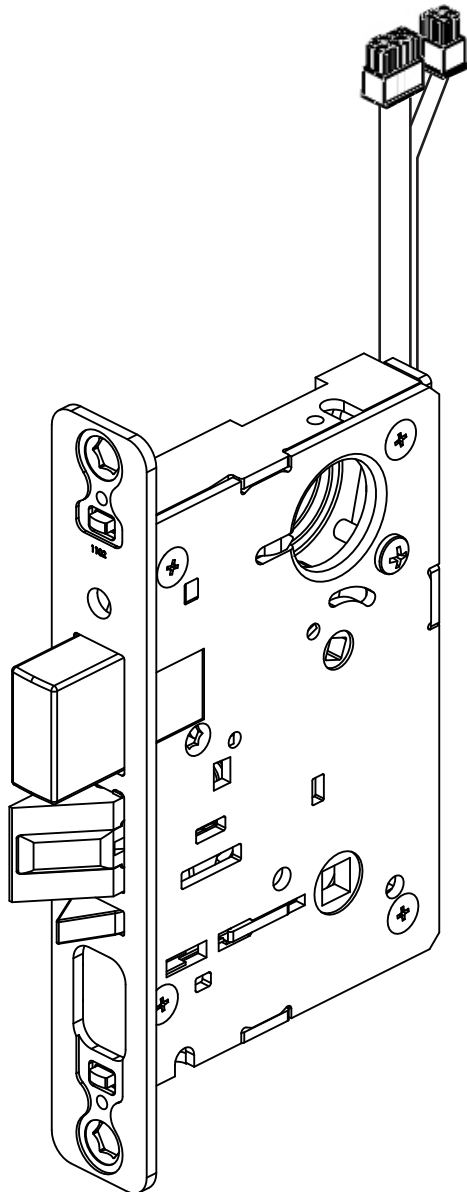




8800 Series Electrified Mortise Solenoid Locks Installation Instructions

Instructions for Wiring 8800 Series Electrified Mortise Solenoid Locks,
8800 Series Monitoring Suffixes REX, LBM & DBM
& Combined Solenoid & Monitoring Suffixes
with Pluggable "ElectroLynx Connector System"



NOTE TO INSTALLER

**FAILURE TO FOLLOW THESE INSTRUCTIONS
COULD RESULT IN DAMAGE TO THE LOCK
AND VOID THE FACTORY WARRANTY.**

Any retrofit or other field modification to a fire rated opening can potentially impact the fire rating of the opening, and Yale Locks & Hardware makes no representations or warranties concerning what such impact may be in any specific situation. When retrofitting any portion of an existing fire rated opening, or specifying and installing a new fire-rated opening, please consult with a code specialist or local code official (Authority Having Jurisdiction) to ensure compliance with all applicable codes and ratings.

For Technical Assistance call Yale® at 1-800-810-WIRE (9473)



Introduction

This instruction manual includes wiring instructions for all electrical types of 8800 series electric mortise locks to ElectroLynx Hinge Connector System. The correct wiring configuration must be selected depending on type and function of the mortise lock being installed. Multiple functions can be combined (ex: 8890FL REX-LBM). Refer to table on page 4 to select appropriate wiring instruction for mortise product being installed.

Important

Disconnect all input power before beginning installation to prevent electrical shock and equipment damage. Installer must be a trained, experienced service person. All wiring must comply with applicable local electrical codes, ordinances and regulations.

CAUTION: The DC voltage applied to the lock solenoid must not exceed 12 / 24 VDC +/- 10% If the voltage exceeds these values the solenoid may be damaged or not function.

Specifications / Functions

Solenoid

Type: 12 or 24VDC, Intermittent or Continuous Duty
612mA Peak @ 12VDC
500mA Steadystate @ 12VDC
330mA Peak @ 24VDC
612mA Steadystate @ 24VDC

Fail Safe: Models 8880, 8884, 8886, 8888, 8890, 8894-2, 8896 and 8898

Fail Secure: Models 8881, 8885, 8887, 8889, 8891, 8895-2, 8897 and 8899

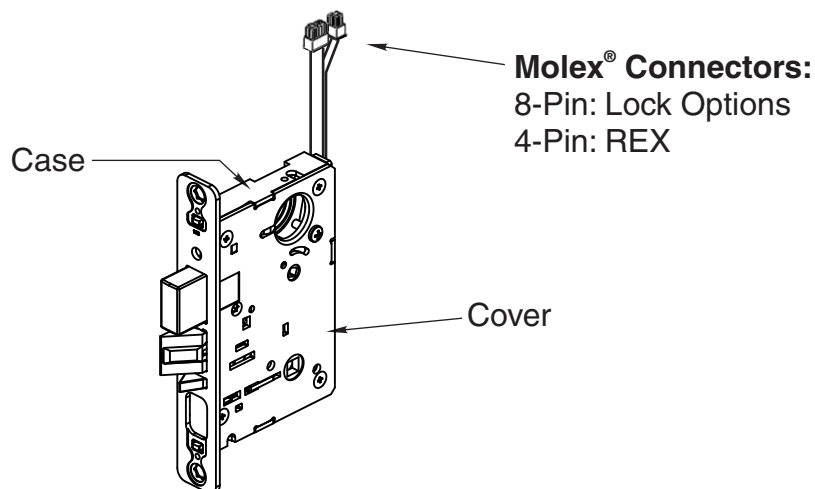
REX-, LBM-, and DBM- Lock Switches: contact rating for all switches: 2 Amp max @ 30VDC

REX (Request to Exit). Lever Monitor Switches. The 8800 REX series mortise lock is designed to allow monitoring of inside and outside lever rotation. The lock uses two switches to monitor the inside and outside lever hubs.

LBM (latchbolt monitor switch). The 8800 LBM series mortise lock provides positive indication of latchbolt extension or retraction when the lever is rotated retracting the latchbolt, latchbolt being retracted by key, or if the latchbolt itself is depressed.

DBM (deadbolt monitor switch). The 8800 DBM series is designed to monitor the position of the dead bolt.

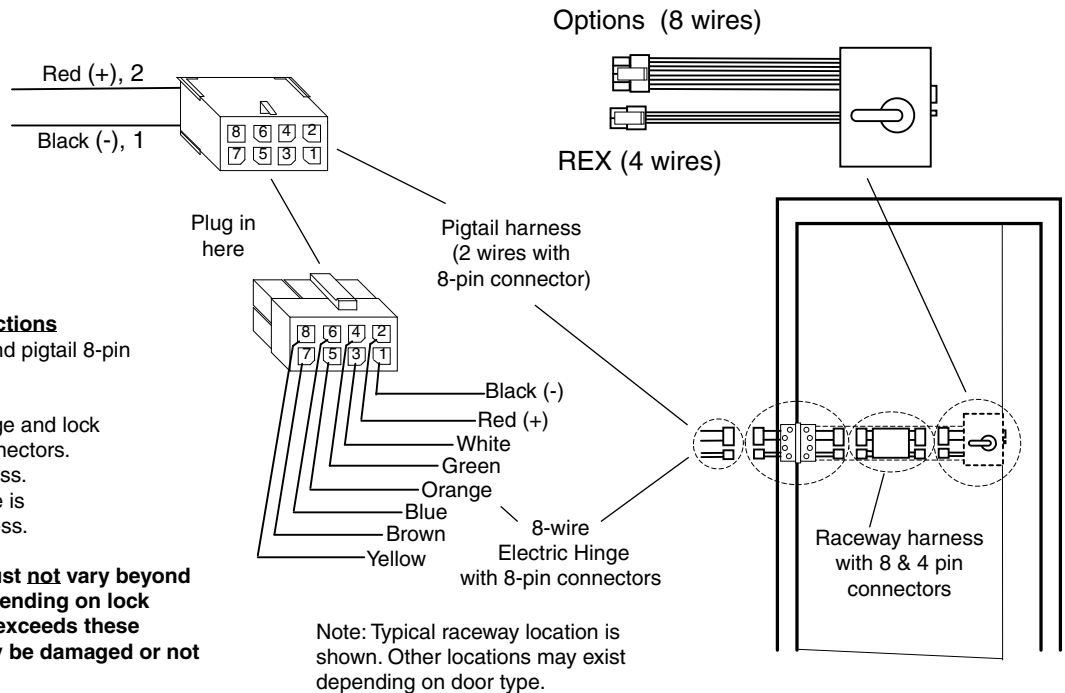
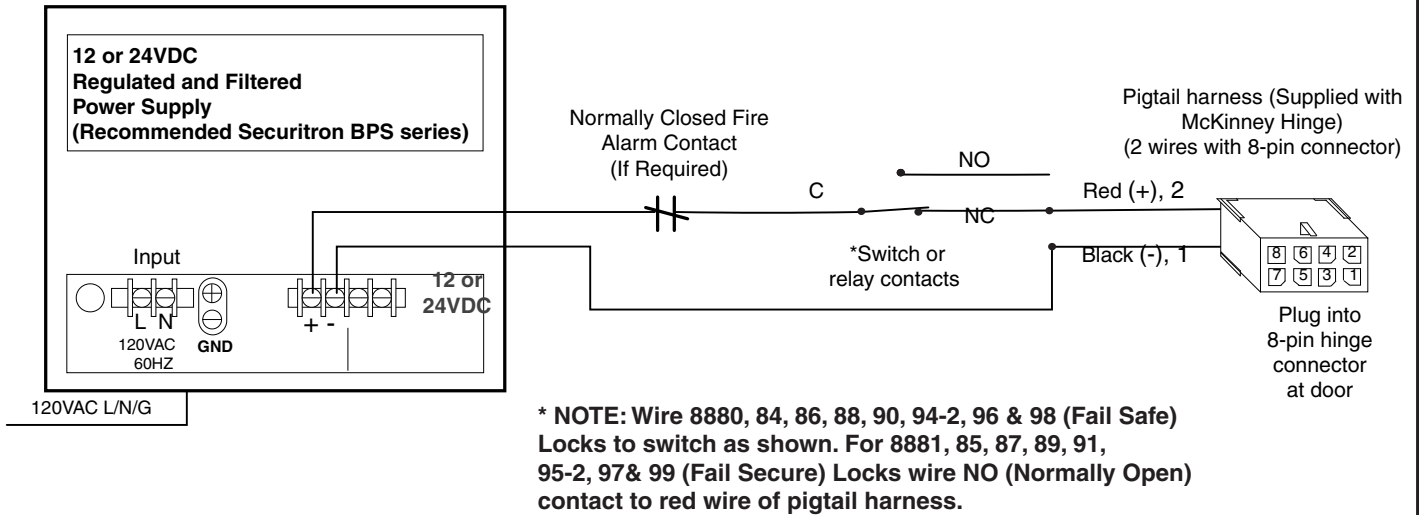
LPM (Lock Performance Monitor). The 8800 LPM series provides a status check on the lock's main components.



Installation Notes

1. With new applications a raceway harness with 8 and 4 pin connectors will be pre-installed inside door by ASSA ABLOY door manufacturer when specified during ordering process. Raceway harness kits are available for retrofit applications and for doors manufactured by non-ASSA ABLOY manufacturers.
2. Wiring to pigtail harness is per facility wiring requirement. Follow individual instructions below.
3. If door raceway connectors are not present, remove lock connector and follow wiring in Option A .

Option A Sample wiring 8880 Thru 8899 series solenoid locks with a 12 or 24VDC Regulated and Filtered Power Supply (Wiring shows power on and lock in secure state)



Installation and wiring instructions

Lock, raceway, electric hinge and pigtail 8-pin terminations colors all match

1. Install door. Plug electric hinge and lock connectors into raceway connectors.
2. Wire option A to pigtail harness.
3. Ensure proper supply voltage is being applied at pigtail harness.

CAUTION: The DC voltage must not vary beyond 12V+/- 10% or 24V+/- 10% depending on lock solenoid installed. If voltage exceeds these values, the lock solenoid may be damaged or not function.

4. Plug pigtail harness 8-pin connector into electric hinge 8-pin connector.
5. Test lock - Applying 12 or 24VDC unlocks fail secure applications and locks fail safe applications.

ELECTRIFIED OPTIONS

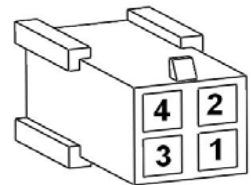
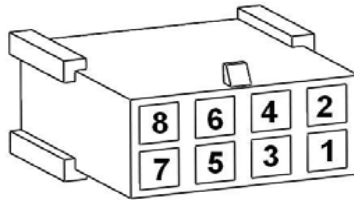
| | | |
|---------------|---------------------|-----------------|
| Molex® | 8890 Options | 8891-ITS |
|---------------|---------------------|-----------------|

| 8-Pin | Function | Color | Function | Color |
|-------|----------------------------|-------------------------------|----------|-------------|
| 1,2 | Power | Black/Red | Power | Black/Red |
| 3,4 | LPM -----OR----- LBM | Green/Gray Green/Green | LPM | Green/Gray |
| 5,6 | DB-In | Yellow/Yellow | CX | Brown/Brown |
| 7,8 | DPS* (Less DB) | Blue/Blue | DPS* | Blue/Blue |

| 4-Pin | Function | Color | Function | Color |
|-------|-----------------|-------------|-----------------|-------------|
| 1,2 | Open Loop REX | White/White | Open Loop REX | White/White |
| 3,4 | Closed Loop REX | Gray/Gray | Closed Loop REX | Gray/Gray |

REFERENCES

| | |
|---------------|---------------------------|
| REX | Request to Exit |
| LBM | Latch Bolt Monitor |
| LPM | Latch Performance Monitor |
| DBM | Deadbolt Motintor |
| DB | Deadbolt |
| DB-In | Deadbolt Retracted |
| DB-Out | Deadbolt Extended |
| DPS | Door Position Sensor |
| CX | Cylinder Monitor |



* Deadbolt not available with DPS function.

Yale Locks & Hardware

Product Support Tel 800.810.WIRE (9473) • www.yalelocks.com

Yale Locks & Hardware is a division of Yale Security Inc., an ASSA ABLOY Group company.

Yale® is a registered trademark of Yale Security Inc., an ASSA ABLOY Group company. Other products' brand names may be trademarks or registered trademarks of their respective owners and are mentioned for reference purposes only. These materials are protected under U.S. copyright laws. All contents current at time of publication.

Yale Security Inc. reserves the right to change availability of any item in this catalog, its design, construction, and/or its materials.

Copyright © 2010, 2014 Yale Security Inc., an ASSA ABLOY Group company.

All rights reserved. Reproduction in whole or in part without the express written permission of Yale Security Inc. is prohibited.