

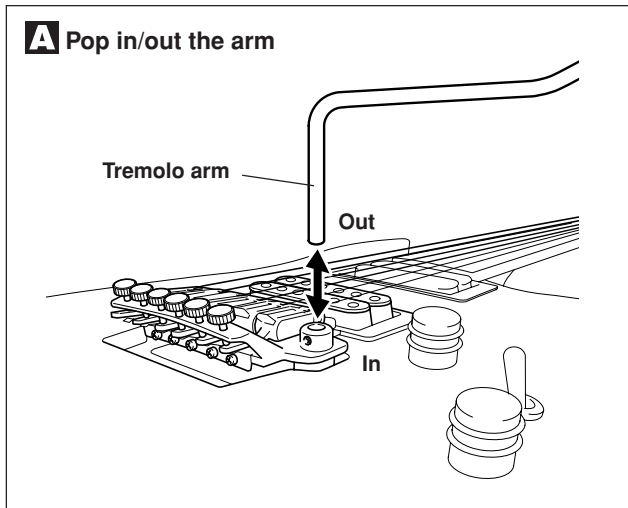
# FC (FingerClamp) Tremolo System

On the Yamaha FC (FingerClamp) tremolo system, tools are not necessary to tune/change the strings as on other locking systems. Following is the procedure for changing strings and adjusting the tremolo system.

## Part 1 : Setting up the tremolo arm & tremolo unit holder

### ■ Popping-in/out the arm

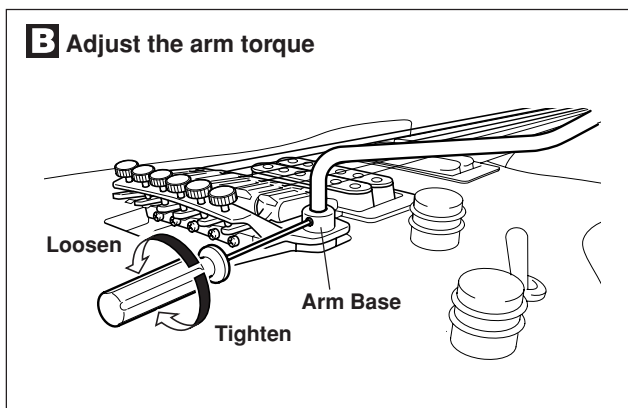
The tremolo arm can be attached or detached simply by popping it in or out. (Fig. A)



### ■ Adjusting the torque of the tremolo arm

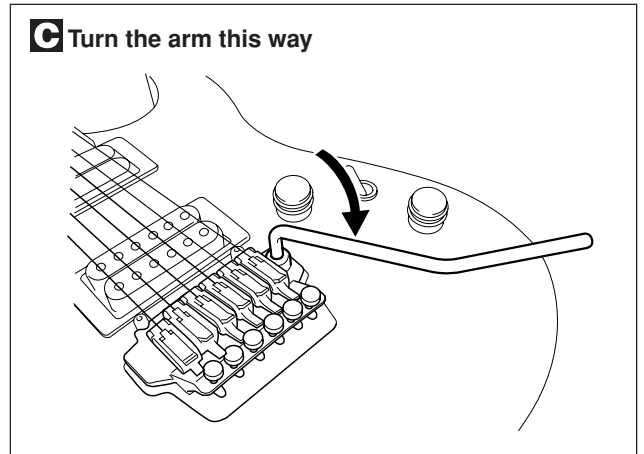
To adjust the torque of the tremolo arm, tighten or loosen the screw on the side of the "arm base" with a hexagonal wrench. (Fig. B)

\* Attach the tremolo arm before adjusting the torque.



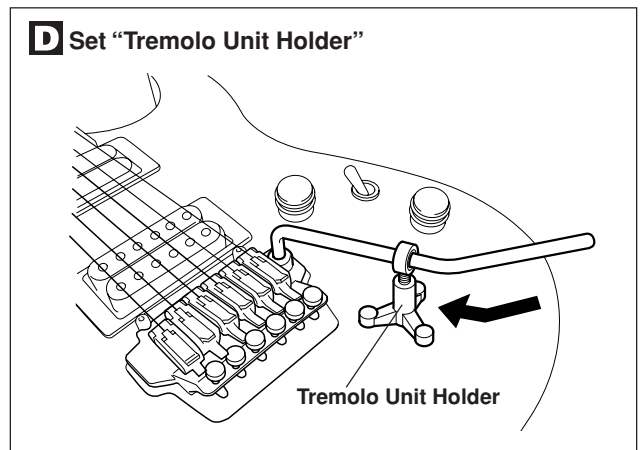
### ■ Setting the "Tremolo Unit Holder"

1 Turn the tremolo arm towards the body end. (Fig. C)

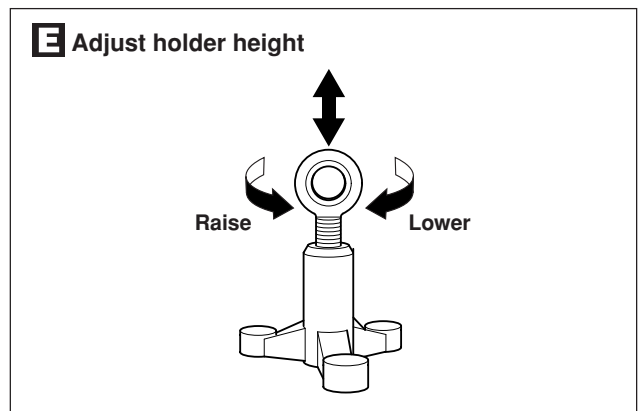


2 Set the "Tremolo Unit Holder" as shown in illustration. (Fig. D)

\* The "Tremolo Unit Holder" helps to keep the tremolo unit stable and horizontal for easy string change and re-tuning.

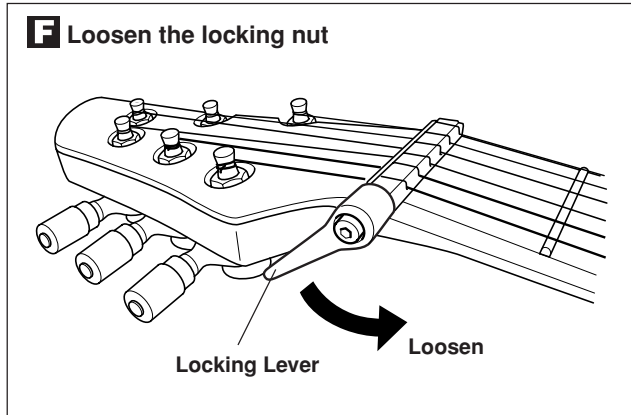


\* When setting the "Tremolo Unit Holder", Adjust the height by rotating the head so the tremolo unit is parallel to the top of the guitar body. (Fig. E)

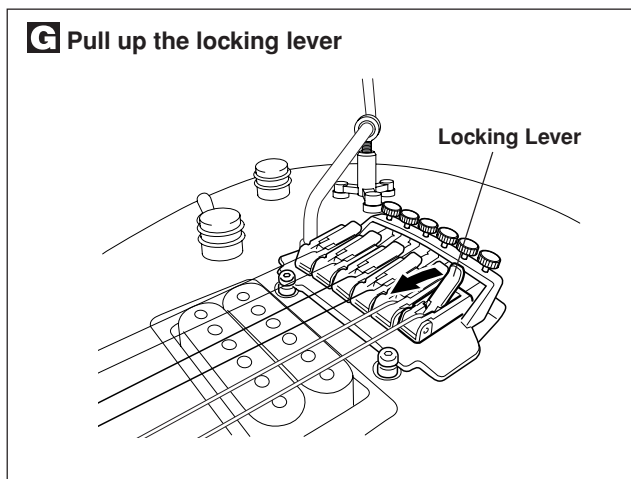


## Part 2 : Removing the old strings

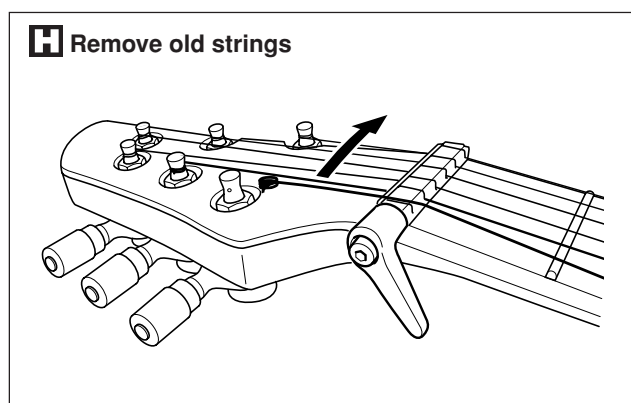
- 1 Loosen the locking lever of the FC (FingerClamp) nut. (Fig. F)



- 2 Pull up the locking levers of the FC tremolo. (Fig. G)



- 3 Loosen the tuning machines to remove the old strings from the tuning machines in the standard manner. (Fig. H)

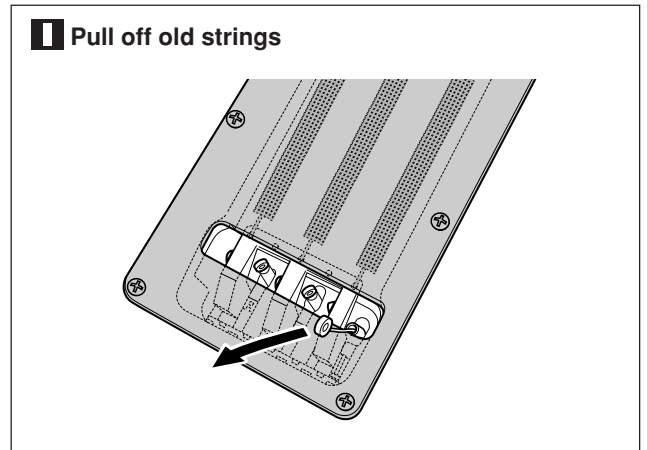


\* The "Tremolo Unit Holder" prevents the tremolo unit from sinking into the tremolo cavity.

\* If the tremolo arm slides away from the arm base, tighten the screw on the side of the arm base. (Fig. B)

- 4 Remove the old strings from the body back. (Fig. I)

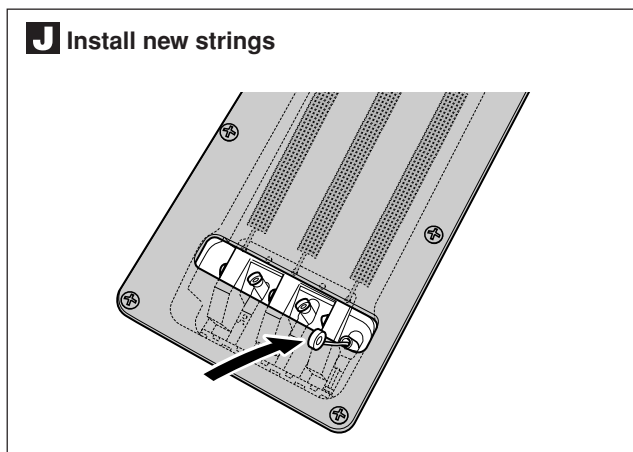
\* It is not needed to detach the back cover to remove the strings.



## Part 3 : Installing the new strings

- 1** Install the new strings from the body back. (Fig. **J**)

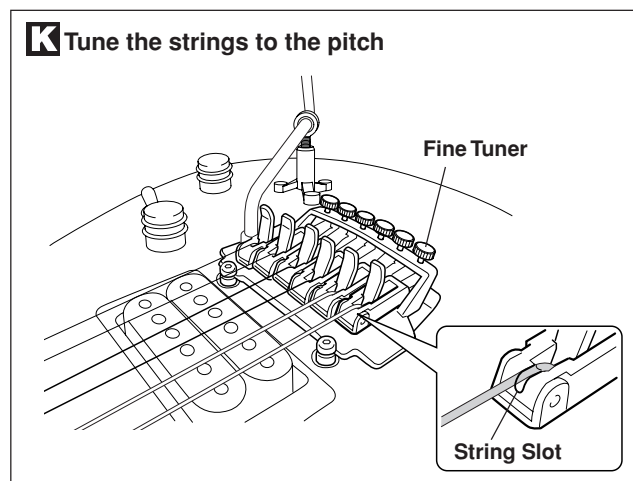
\* It is not needed to cut off the ball ends.



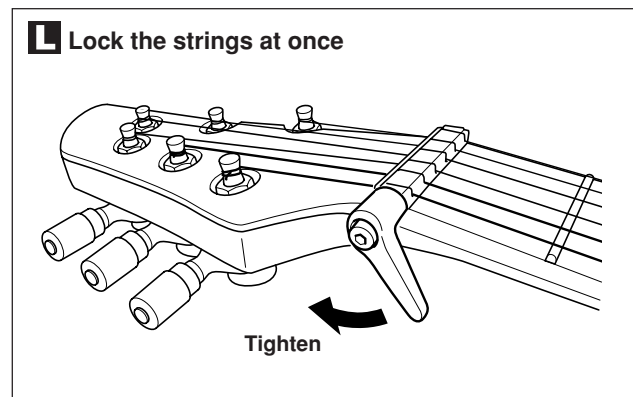
- 2** Tune the strings to the correct pitch with the tuning machines, leaving the locking lever up. (not returning to the original position) (Fig. **K**)

\* Be sure that the strings stay in the string slots of the bridge saddles.

\* The "Fine Tuners" should be in the middle of their travel range.

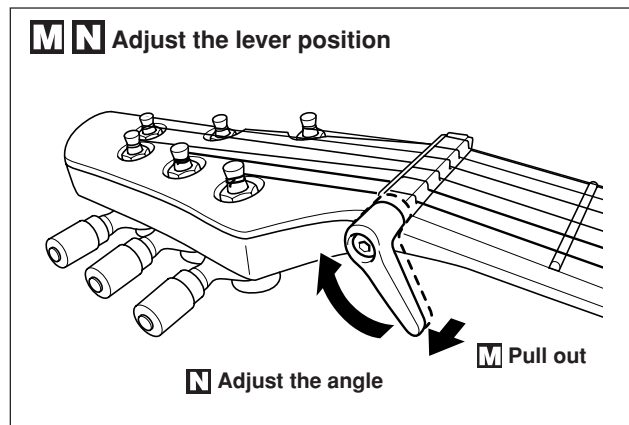


- 3** Tighten the locking lever of the FC (FingerClamp) nut to lock the strings at the nut. (Fig. **L**)

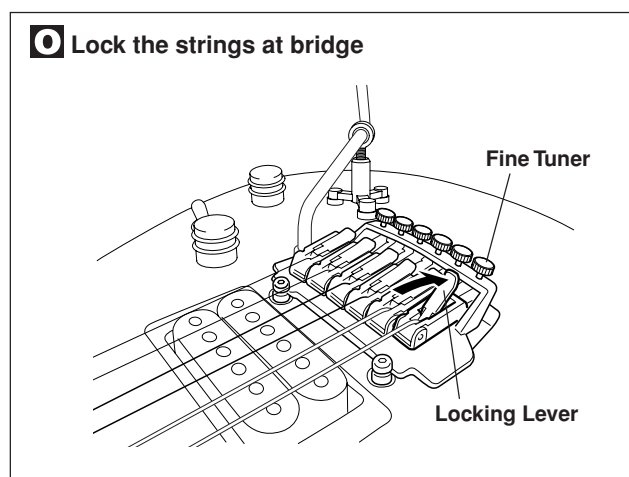


\* Don't tighten the locking lever with plier or other tools. It damages the mechanism of the FC nut.

- 4** Pull out the lever to the direction (Fig. **M**) and rotate the lever to your favorite angle. (Fig. **N**)



- 5** Return the locking levers on the FC tremolo to the original position to lock the strings. (Fig. **O**)



- 6** Remove the "Tremolo Unit Holder" from the tremolo arm.

- 7** Fine tune the each strings with the "Fine Tuners" on the FC tremolo.

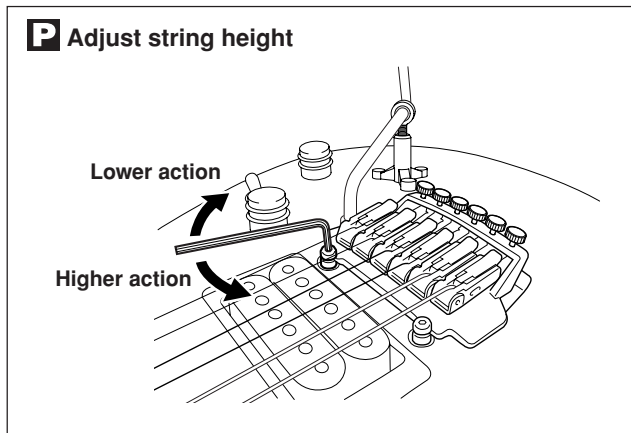
## Part 4 : Adjustments

### String height adjustment

To adjust the string height (string action), rotate the two bolts with hexagonal wrench. (Fig. P)

- \* All the string heights can be set properly by adjusting the two bolts.

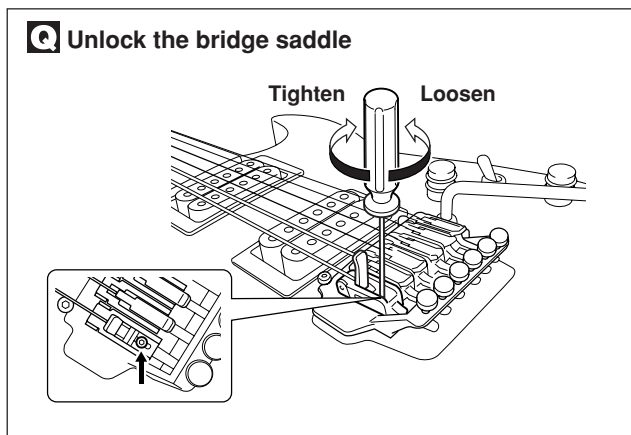
#### P Adjust string height



### Intonation adjustment

- 1 To adjust the intonation of each string, pull up the locking lever of the FC tremolo (Fig. G) and loosen the screw inside the bridge saddle. (Fig. Q)

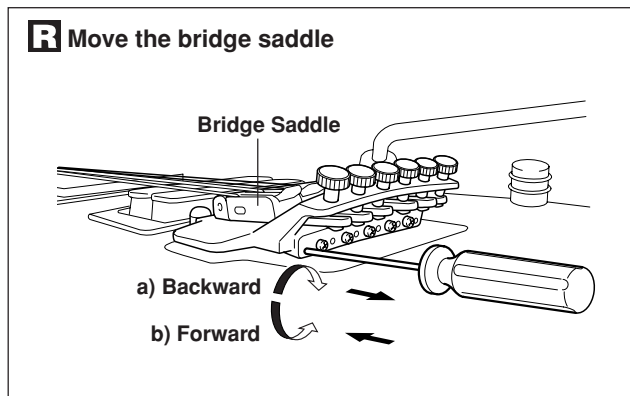
#### Q Unlock the bridge saddle



- 2 Adjust the location of the bridge saddle with the hexagonal wrench. (Fig. R)

- a) If the fretted tone at the 12th fret is higher in pitch than the harmonic tone at the 12th fret, rotate the intonation screw clockwise to move the bridge saddle backwards.
- b) If the fretted tone at the 12th fret is lower in pitch than the harmonic tone at the 12th fret, rotate the intonation screw counter-clockwise to move the bridge saddle forwards.

#### R Move the bridge saddle

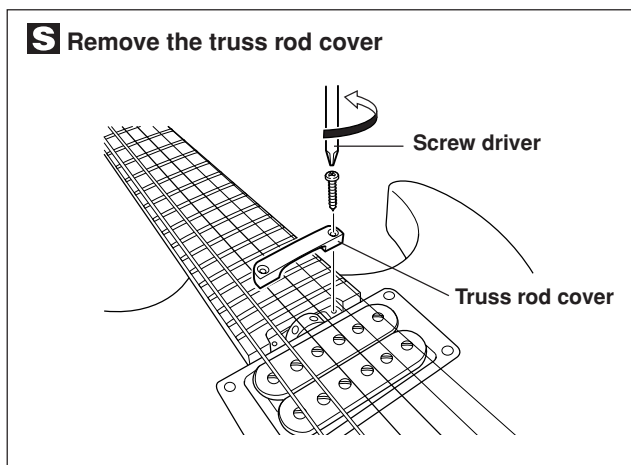


- 3 Tighten the screw inside the bridge saddle. (Fig. Q)
- 4 Return the locking lever of the FC tremolo to the original position. (Fig. G)

## Part 5 : Adjusting the Truss Rod

- 1 Loosen two screws of the truss rod cover with the Phillips head screw driver. (Fig. S)

#### S Remove the truss rod cover



- 2 Rotate the truss rod nut with the screw driver. (Fig. T)

- \* The curvature of the neck should be slightly concave.
- \* Make any adjustments gradually.

#### T Adjust the neck

