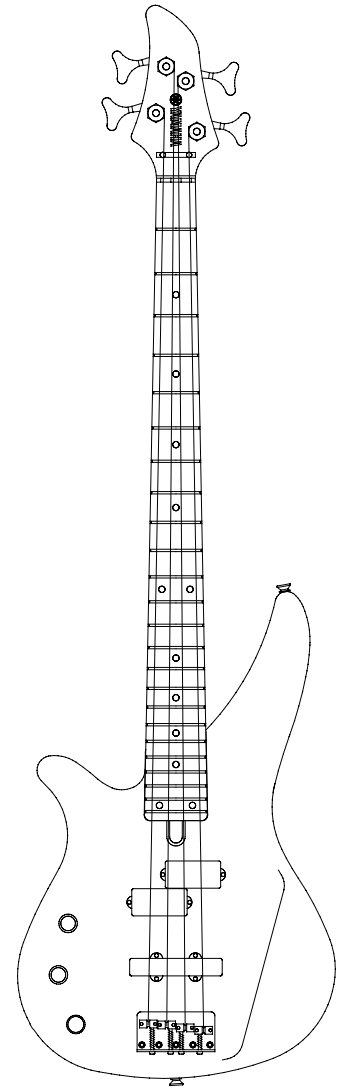


ELECTRIC BASS RBX270L SERVICE MANUAL



WARNING : CHEMICAL CONTENT NOTICE!

The solder used in the production of this product contains LEAD. In addition, other electrical/electronic and/or plastic (Where applicable) components may also contain traces of chemicals found by the California Health and Welfare Agency (and possibly other entities) to cause cancer and/or birth defects or other reproductive harm.

DO NOT PLACE SOLDER, ELECTRICAL/ELECTRONIC OR PLASTIC COMPONENTS IN YOUR MOUTH FOR ANY REASON WHAT SO EVER!

Avoid prolonged, unprotected contact between solder and your skin! When soldering, do not inhale solder fumes or expose eyes to solder/flux vapor!

If you come in contact with solder or components located inside the enclosure of this product, wash your hands before handling food.

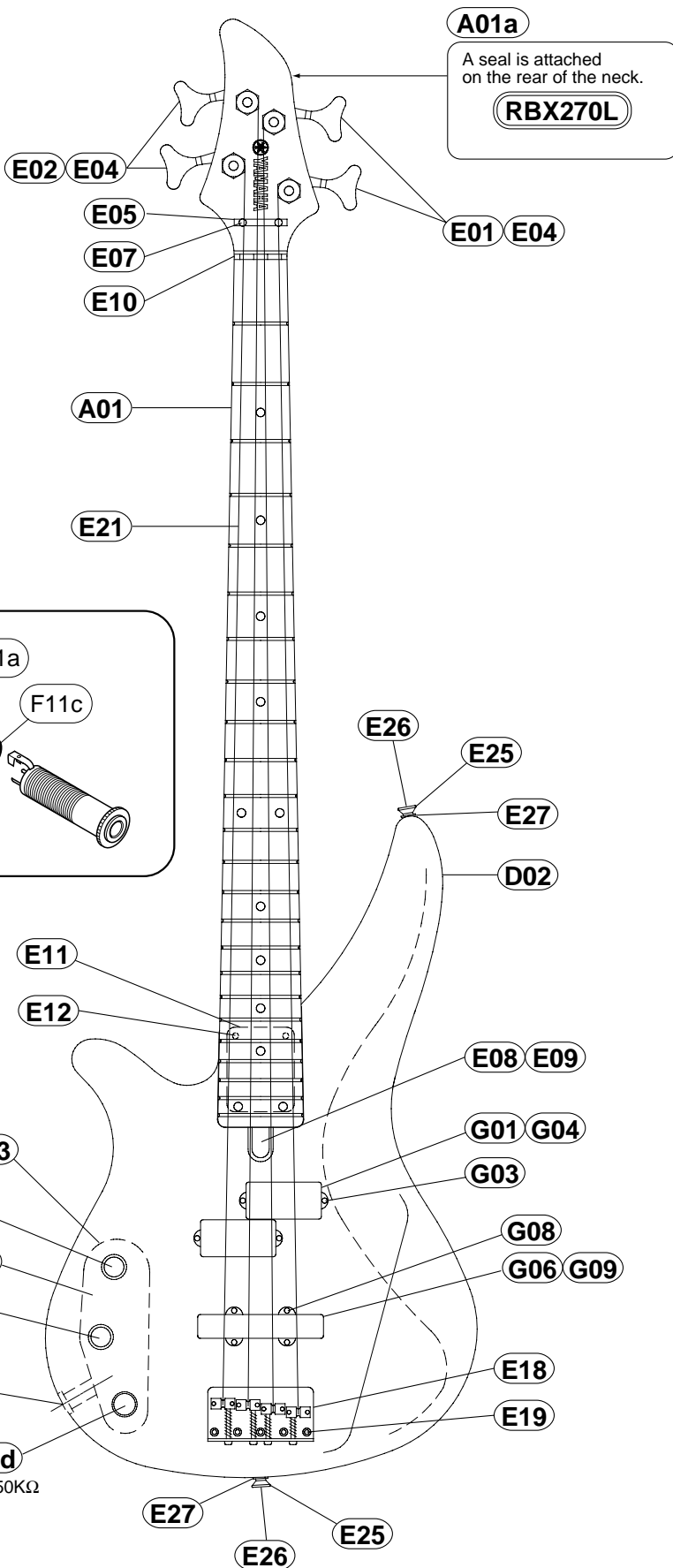
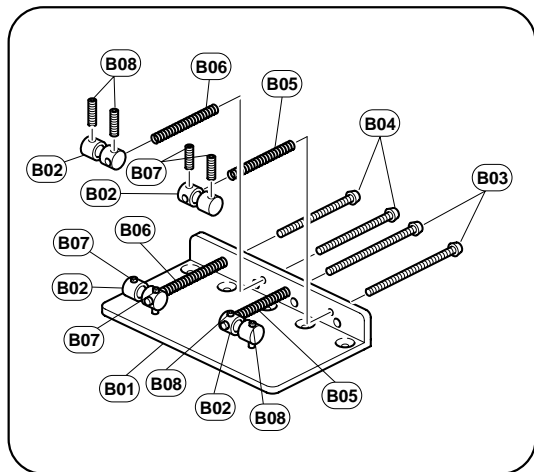
CONTENTS

OVERALL ASSEMBLY	2
CIRCUIT DIAGRAM	4
WIRING	4
SPECIFICATIONS	4

This document is printed on chlorine free (ECF) paper with soy ink.

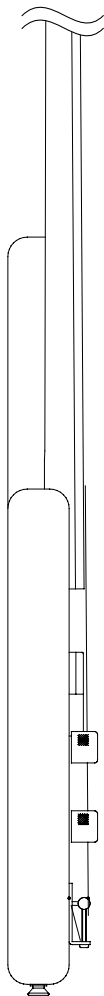
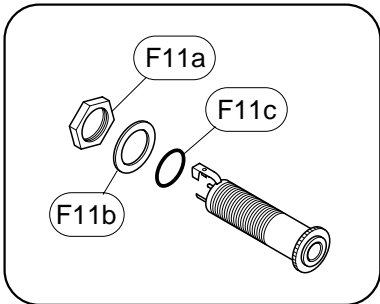
OVERALL ASSEMBLY

E18 Bridge Assembly: YP-02L (Chrome)



A01a
A seal is attached on the rear of the neck.
RBX270L

F11 Jack



E29 F01a
MASTER VOLUME:
15C 250K Ω

E29 F01c
BALANCER:
1Z 250K Ω X 2

F11 F11a
F11b F11c

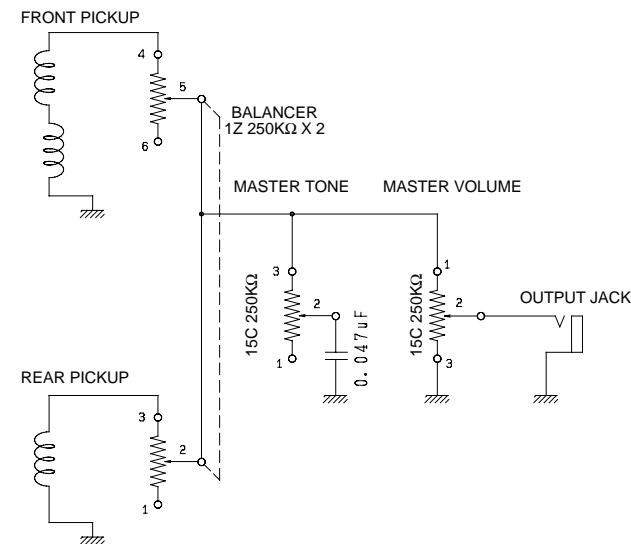
E29 F01b F01d
MASTER TONE: 15C 250K Ω

REF NO.	PART NO.	DESCRIPTION		REMARKS	QTY	RANK
		OVERALL ASSEMBLY		RBX270L		
* A01	AAX28740	Neck Assembly				
A01a	--	Seal		(QC62470)		
D02	--	Body				
E01	QC207000	Tuning Machine Assembly	RM1243 (Chrome)		2	09
E02	QC236900	Tuning Machine Assembly	RM1243L (Chrome)		2	09
E04	EA620040	Round Head Wood Screw	2.4X10 (Chrome)		4	01
E05	AA820810	String Guide	(Chrome)			04
E07	EA620070	Round Head Wood Screw	2.7X20 (Chrome)		2	01
E08	CB821460	Rod Cover	(Black)			03
E09	03706220	Oval Head Wood Screw	2.1X10 (Black)			01
* E10	QC630300	Nut	Urea 40mm (Ivory)			
E11	AA819690	Neck Plate	(Chrome)			03
E12	EN240060	Oval Head Tapping Screw	4.0X45 (Nickel)		4	01
E18	QC035200	Bridge Assembly	YP-02L (Chrome)	1set		09
E19	EN230140	Oval Head Tapping Screw	3.0X25 (Nickel)		5	04
E21	--	Strings		1set (QC35100)		
E25	BB801510	End Pin	ST-type (Chrome)		2	04
E26	EN230140	Oval Head Tapping Screw	3.0X25 (Nickel)		2	04
E27	VB793700	Spacer	Felt (Black)		2	01
E29	QA211100	Knob	(Black)		3	06
E31	CB814770	Back Cover	(Black)			05
E33	EB620020	Oval Head Wood Screw	2.7X13 (Black)		4	03
F01	--	Electrical Unit		(QC62490)		
F01a	QC036100	Variable Resistor	15C 250K ohm	MASTER VOLUME		04
F01b	QC036100	Variable Resistor	15C 250K ohm	MASTER TONE		04
F01c	VB518700	Variable Resistor	1Z 250K ohm x2	BALANCER		04
F01d	UA114470	Mylar Capacitor	0.047uF 50 J			01
F11	QA209900	Jack				07
F11a	--	Hexagonal Nut				
F11b	--	Flat Washer				
F11c	--	Rubber Ring				
G01	QC225100	Pickup Assembly		FRONT		09
G03	VJ388800	Pan Head Tapping Screw	2.6X35 (Black)		4	02
G04	CB817760	Pickup Cushion			2	01
G06	QC355900	Pickup Assembly		REAR		08
G08	VJ388800	Pan Head Tapping Screw	2.6X35 (Black)		4	02
G09	CB815450	Pickup Cushion				02
H01	QC354000	Accessory Unit	(G-1)	1set		07
	QA262600	Cord	D			05
	--	Wrench	#1.5			
	--	Wrench	#5			
B01	QC035200	Bridge Assembly	YP-02L (Chrome)			09
	AA862300	Bridge Base	(Chrome)			
B02	AA809350	Bridge Piece	(Chrome)		4	03
B03	EA130406	Pan Head Screw	3.0X40 (Chrome)	1,2 string	2	01
B04	EA130356	Pan Head Screw	3.0X35 (Chrome)	3,4 string	2	01
B05	QA014700	Bridge Spring	L=35	1,2 string	2	01
B06	QA014800	Bridge Spring	L=25	3,4 string	2	01
B07	EX801620	Set Screw	3.0X12 (Chrome)	1,4 string	2	01
B08	EX801630	Set Screw	3.0X14 (Chrome)	2,3 string	2	01

*: New Parts

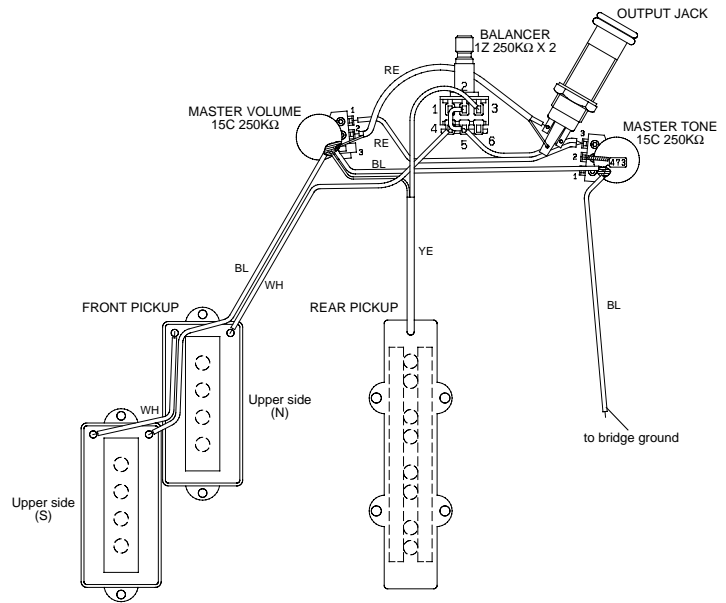
RANK: Japan only

■ CIRCUIT DIAGRAM



STE-BBPJ-02

■ WIRING



■ SPECIFICATIONS

● STANDARD SPECIFICATIONS

Scale Length 863.6mm
 Body-Neck Construction Bolt On
 Length 1118mm
 Width 327mm
 Net Weight 3.3kg

● COLOR

Body
 BL Black
 MGR Mist Green

Neck
 NS Natural Satin

● BODY

Material Alder
 Body Depth 41mm

● FINGERBOARD

Material Rose
 Fingerboard Width 0-F 40.0 mm, 12-F 56.4 mm
 No. of Frets 24

● NECK

Material Maple
 Neck Thickness 1-F 21.0 mm, 12-F 24.4 mm

● PARTS

Hardware Chrome Plated
 Nut Urea
 Bridge Vintage Type: YP-02L
 Strings Korea

● CONTROLS

Volume 15C 250KΩ x 1
 Tone 15C 250KΩ x 1
 Balance 1Z 250KΩ x 1

● PICKUPS

Front Single Coil Split Type
 Rear Single Coil
 Magnet
 Front/Rear Ferrite