

ELECTRIC GUITAR

Pacifica312II/Pacifica312MII

SERVICE MANUAL



Pacifica312II



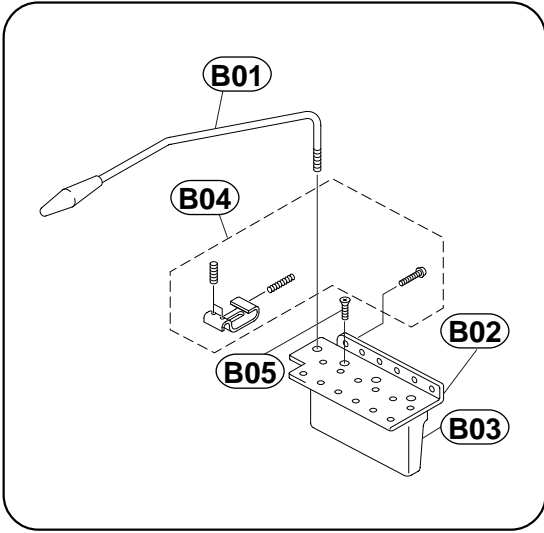
Pacifica312MII

■ CONTENTS

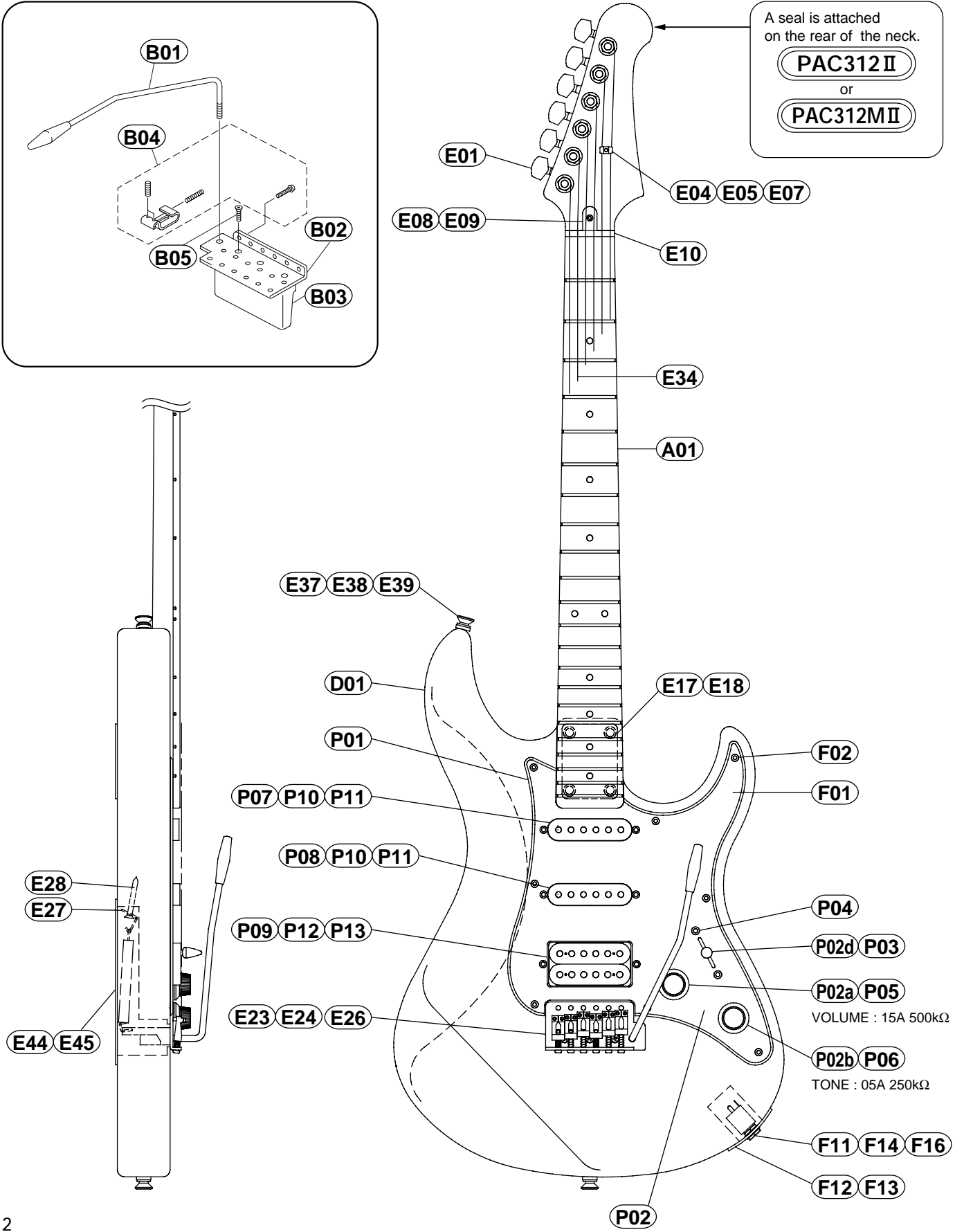
OVERALL ASSEMBLY	2
PARTS LIST	3
CIRCUIT DIAGRAM	4
WIRING	4
SPECIFICATIONS	4

OVERALL ASSEMBLY

E23 Bridge Assembly YS-11B : Chrome (QC168400)



A01a
 A seal is attached on the rear of the neck.
PAC312II
 or
PAC312MII



VOLUME : 15A 500kΩ
 TONE : 05A 250kΩ

PARTS LIST

REF NO.	PART NO.	DESCRIPTION		REMARKS	QTY	RANK
		OVERALL ASSEMBLY		Pacifica312II/312MII		
* A01	DX809650	Neck Assembly		Pacifica312II:NT		
* A01	DX809690	Neck Assembly		Pacifica312MII:NT		
A01a	--	Seal		Pacifica312II (QC45520)		
A01a	--	Seal		Pacifica312MII (QC45530)		
D01	--	Body				
E01	QC164900	Tuning Machine Assembly	RM1273 (CR)	1set		12
E04	AA819700	String Guide	CR			02
E05	QC370200	Spacer	BL			02
* E07	03704010	Round Head Wood Screw	2.1X10 FCM33G (CR)			
E08	VD955900	Rod Cover	BL			01
E09	EB620070	Oval Head Wood Screw	2.1X13 FCM3BL (BL)			
E10	VB344800	Nut	41mm (BL)			
E17	QC015100	Neck Plate	CR			04
E18	EN240060	Oval Head Tapping Screw	4.0X45 FNM33G (NI)		4	01
E23	QC168400	Bridge Assembly	YS-11B (CR)			13
E24	EA630100	Round Head Wood Screw	3.1X25 FCM33G (CR)		6	
E26	QA302200	Spacer			2	01
E28	EN240060	Oval Head Tapping Screw	4.0X45 FNM33G (NI)		2	01
E34	--	Strings	XL-120	1set (QC16510)		
E37	BB801510	Strap Button	ST type (CR)		2	04
E38	EN230140	Oval Head Tapping Screw	3.0X25 FCM33G (CR)		2	04
E39	VB793700	Spacer Felt	BL		2	01
E44	CB822600	Back Cover	Bridge (BL)			04
E45	EB620020	Oval Head Wood Screw	2.7X13 FCM3BL (BL)		6	03
F01	--	Panel Assembly	BL/WH/BL	(QC45490)		
F02	03706330	Oval Head Wood Screw	2.7X13 FCM33G (CR)		11	
F11	QC234800	Electrical Unit (Jack)				06
F12	VB518300	Jack Panel	BL			05
F13	EB620020	Oval Head Wood Screw	2.7X13 FCM3BL (BL)		2	03
F14	LX200020	Hexagonal Nut	9S FCM33G (CR)			01
F16	ET800180	Toothed Lock Washer	A9S FNM33G (NI)		2	01
H01	QC354000	Accessory Unit	G-1	1set		07
P01	QC411100	Panel Assembly	BL/WH/BL	(QC45490)		
P02	--	Panel	BL/WH/BL	(QC34150)		11
P02a	HS120070	Variable Resistor	15A 500K ohm	VOLUME		03
P02b	HS120100	Variable Resistor	05A 250K ohm	TONE		03
P02c	FA114220	Mylar Cap.	0.022uF 50 K			02
P02d	KA502000	Pickup Switch	2pole 5position			08
P03	CB821810	Knob	BL			02
P04	03755170	Oval Head Screw	3.0X8 FCM3BL (BL)		2	01
P05	QC016200	Volume Knob	BL ST type			02
P06	QC016300	Tone Knob	BL ST type			02
P07	QC462900	Pickup Assembly	S/C (BL)	Front		
P08	QC463000	Pickup Assembly	S/C (BL)	Center		
* P09	QC463200	Pickup Assembly	H/B (BL)	Rear		
P10	AA809300	Pickup Spring			4	01
P11	21074300	Oval Head Tapping Screw-2	3.0X20 FCM3BL (BL)		4	
P12	VA795700	Pickup Spring			2	01
P13	VD764100	Oval Head Screw	3.0X25 FCM3BL		2	01
B01	QC168400	Bridge Assembly	YS-11B (CR)			13
B02	AX805440	Arm	CR (Head:BL)			05
B02	AX814040	Bridge Base	CR			07
B03	AX814050	Bridge Tail				06
B04	AX814060	Bridge Piece Assembly			6	05
B05	EX803070	Flat Head Screw	4.0X9 FCM33G (CR)		3	01

* : New Parts

RANK : Japan only

WARNING : CHEMICAL CONTENT NOTICE!

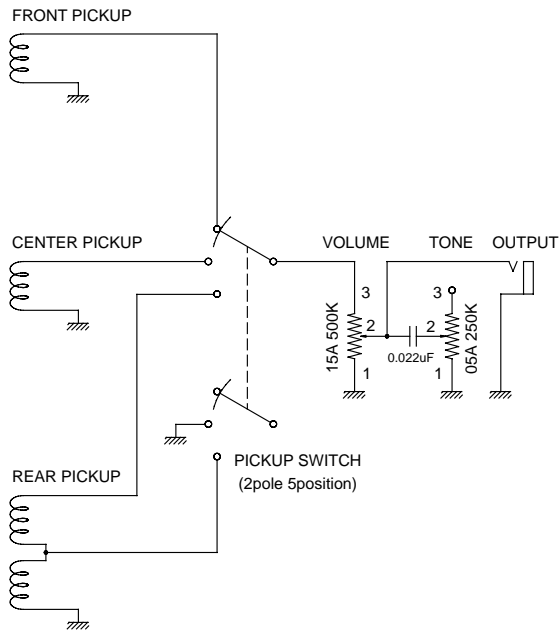
The solder used in the production of this product contains LEAD. In addition, other electrical/electronic and/or plastic (Where applicable) components may also contain traces of chemicals found by the California Health and Welfare Agency (and possibly other entities) to cause cancer and/or birth defects or other reproductive harm.

DO NOT PLACE SOLDER, ELECTRICAL/ELECTRONIC OR PLASTIC COMPONENTS IN YOUR MOUTH FOR ANY REASON WHAT SO EVER!

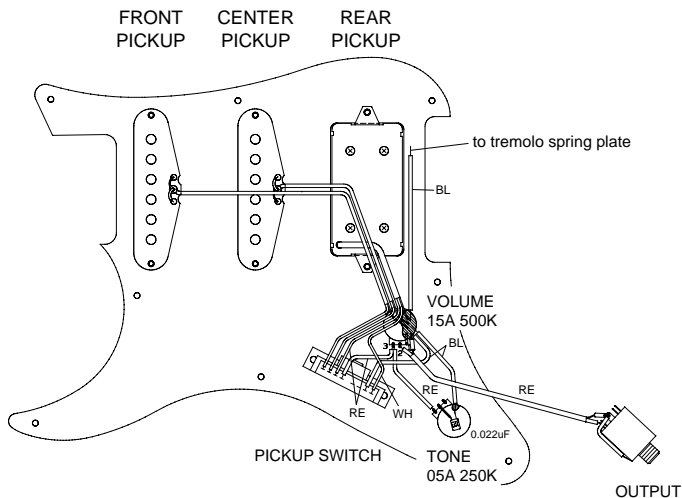
Avoid prolonged, unprotected contact between solder and your skin! When soldering, do not inhale solder fumes or expose eyes to solder/flux vapor!

If you come in contact with solder or components located inside the enclosure of this product, wash your hands before handling food.

■ CIRCUIT DIAGRAM



■ WIRING



■ SPECIFICATIONS

● STANDARD SPECIFICATIONS

Scale Length 648.0mm
 Body-Neck Construction Bolt On
 Length 978.5mm
 Width 325.5mm
 Net Weight 3.4kg

● COLOR

Body
 OVS Old Violin Sunburst
 TDG Translucent Dark Green
 HB Honey Burst
 TLR Translucent Red
 TLB Translucent Bule

Neck
 NT Natural

● BODY

Material Alder, Ash veneer top
 Body Depth 44.0mm

● FINGERBOARD

Material Rosewood
 Fingerboard Width 0-F 41.5mm, 12-F 51.4mm
 No. of Frets 22

● NECK

Material Maple
 Neck Thickness 1-F 20.9mm, 12-F 22.9mm

● PARTS

Hardware Chrome Plated
 Nut Urea
 Bridge YS-11B : Chrome
 Strings Super Light

● CONTROLS

Volume 15A 500k ohm x 1
 Tone 05A 250k ohm x 1
 Pickup SW 2pole 5P Lever Switch x 1

● PICKUPS

Front/Center Single Coil
 Rear Humbucking
 Magnet
 Front/Center/Rear Alnico V