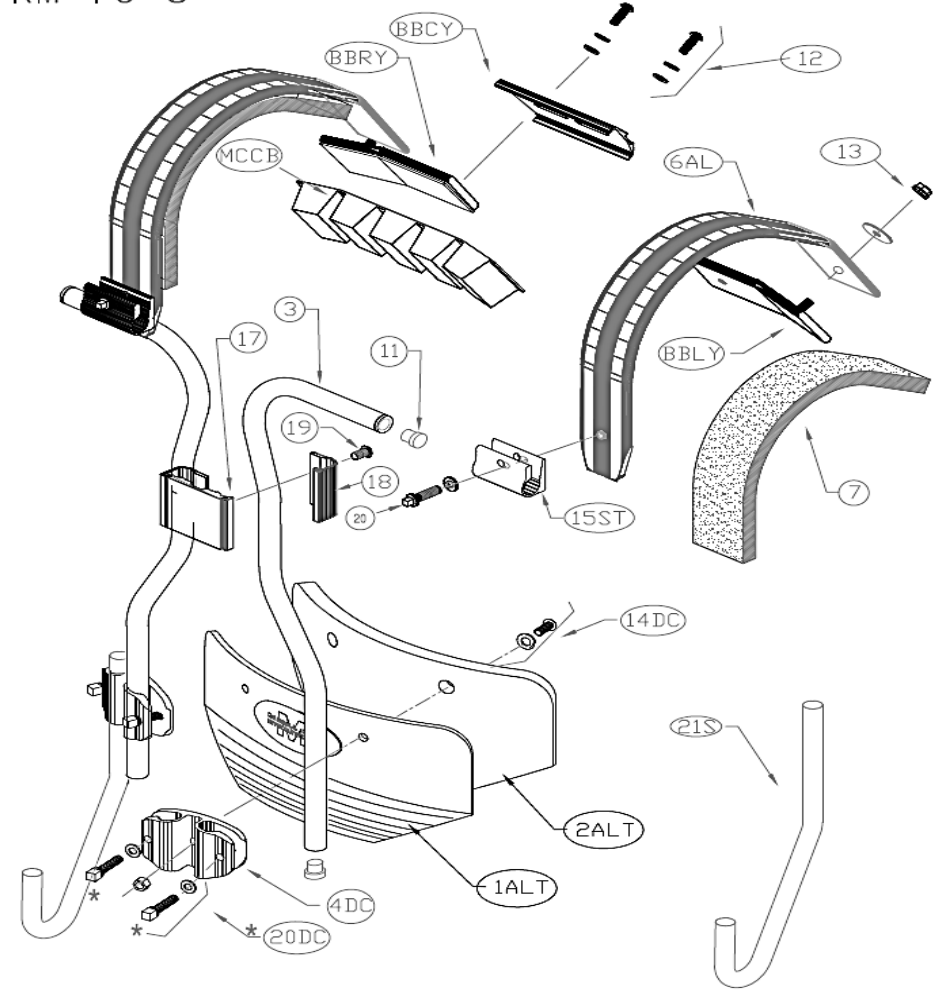


RM-FC-S

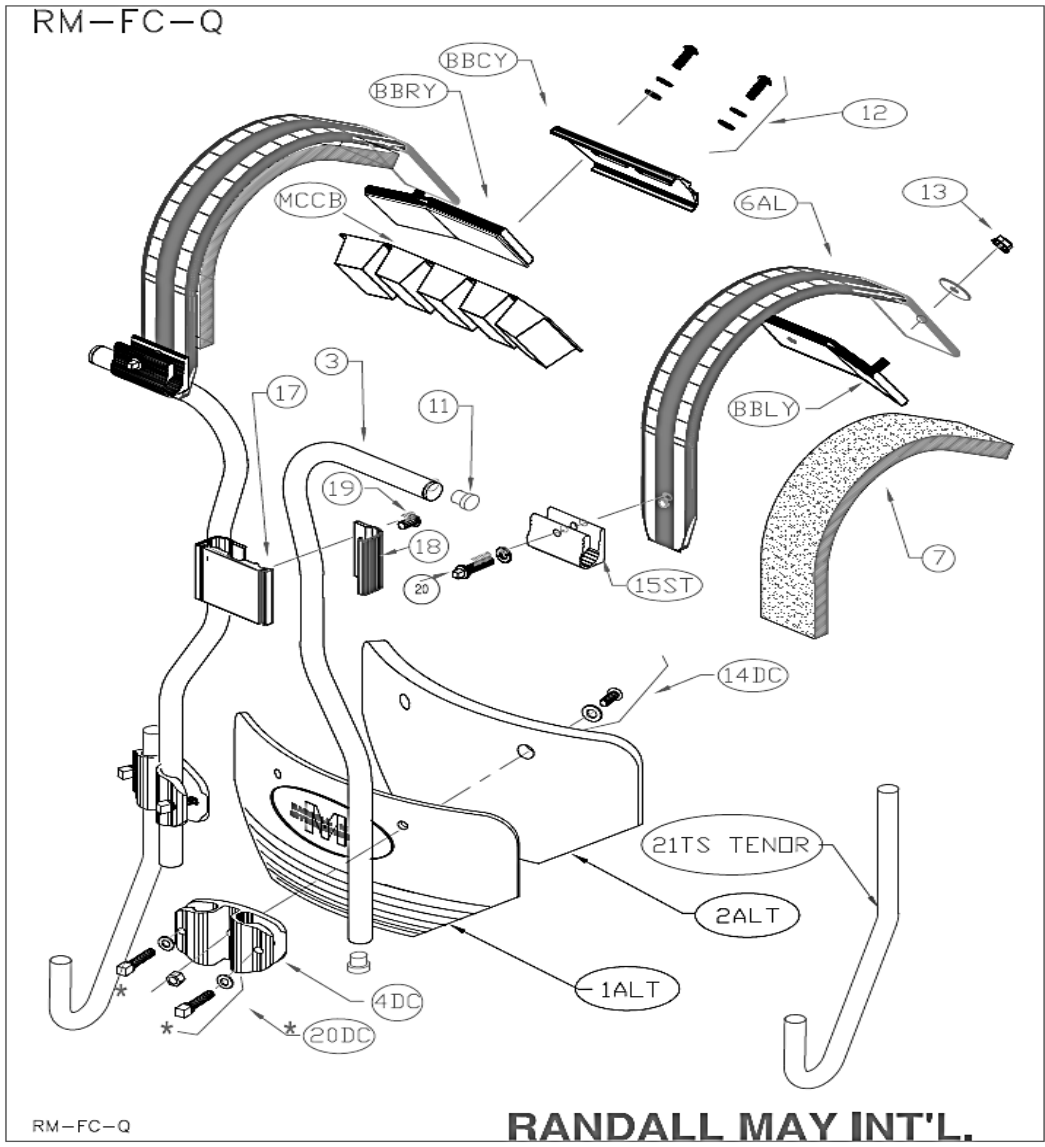


RM-FC-S

RANDALL MAY INT'L.

Field-Corps Snare Carrier

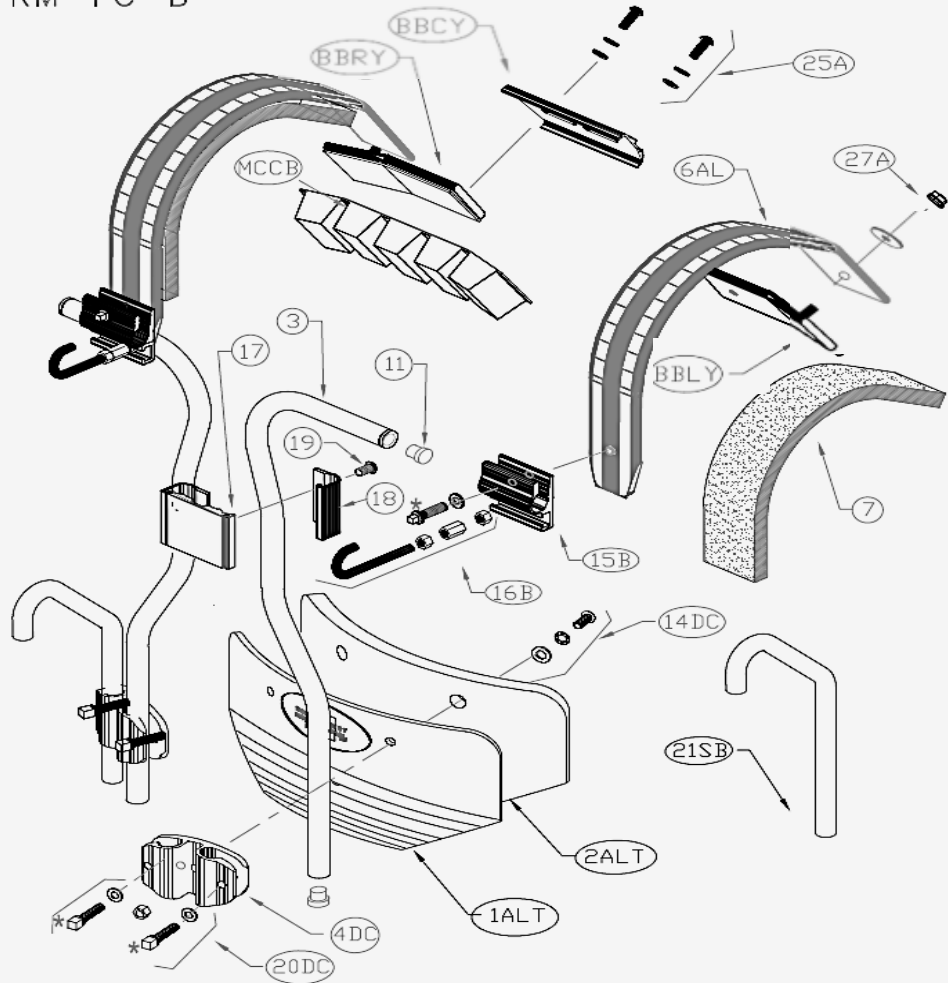
Model #	Ref #	Yamaha Part #	Description	UOM
RM-FC-S	1ALT	RM-1ALT	Belly Plate with Cutaway with Foam (1ALT & 2ALT)	EA
	2ALT	RM-2ALT	Belly Plate Foam - with cutaway	EA
	3	RM-TV3	Main Tube	EA
	4DC	RM-TV4DC	Dual Clamp	EA
	6AL	RM-6AL	Curved Shoulder Bar with Foam	EA
	7	RM-TV7	Foam only for Shoulder Bar	EA
	11	RM-TV11	Tube End Plug	EA
	12	RM-TV12	Stainless 3/8" Bolt, washer, and lock washer (Set of 2 per bag)	EA
	13	RM-TV13	Locking Nut and Stainless Steel Washer	EA
	14DC	RM-14AL	Bolt Set (2 Bolts + 2 Washers)	EA
	15ST	RM-TV15ST	Clamp that holds tube to Shoulder Bar	EA
	17	RM-TV17	Tube Connector	EA
	18	RM-TV18	Bracket or Clamp that goes with #17 (need QTY:2 per bracket)	EA
	19	RM-TV19	Stainless 3/4" Bolt (bulk packed)	EA
	20	RM-TROD627	Drum Key Bolt and washer for Clamp	EA
	20DC	RM-TVHMS-20DC	Drum key bolt and washer for dual J-Rod clamp	EA
	21S	RM-TV21S	J-Rod for Snare Carrier	EA
	BBCY	RM-BBC-Y	Back Bar Center	EA
BBL Y	RM-BBL-Y	Back Bar Left	EA	
BBRY	RM-BBR-Y	Back Bar Right	EA	
MCCB	RM-MCCB-Y	Comfort Core Cushion MCCB	EA	



Field-Corps Tenor Carrier

Model #	Ref #	Yamaha Part #	Description	UOM
RM-FC-Q	1ALT	RM-1ALT	Belly Plate with Cutaway with Foam (1ALT & 2ALT)	EA
	2ALT	RM-2ALT	Belly Plate Foam - with cutaway	EA
	3	RM-TV3	Main Tube	EA
	4DC	RM-TV4DC	Dual Clamp	EA
	6AL	RM-6AL	Curved Shoulder Bar with Foam	EA
	7	RM-TV7	Foam only for Shoulder Bar	EA
	11	RM-TV11	Tube End Plug	EA
	12	RM-TV12	Stainless 3/8" Bolt, washer, and lock washer (Set of 2 per bag)	EA
	13	RM-TV13	Locking Nut and Stainless Steel Washer	EA
	14DC	RM-14AL	Bolt Set (2 Bolts + 2 Washers)	EA
	15ST	RM-TV15ST	Clamp that holds tube to Shoulder Bar	EA
	17	RM-TV17	Tube Connector	EA
	18	RM-TV18	Bracket or Clamp that goes with #17 (need QTY:2 per bracket)	EA
	19	RM-TV19	Stainless 3/4" Bolt (bulk packed)	EA
	20	RM-TROD627	Drum Key Bolt and washer for Clamp	EA
	20DC	RM-TVHMS-20DC	Drum key bolt and washer for dual J-Rod clamp	EA
	21TS	RM-TV21Q	J-Rod for Tenor Carrier	EA
	BBCY	RM-BBC-Y	Back Bar Center	EA
	BBLY	RM-BBL-Y	Back Bar Left	EA
	BBRY	RM-BBR-Y	Back Bar Right	EA
MCCB	RM-MCCB-Y	Comfort Core Cushion MCCB	EA	

RM-FC-B



RM-FC-B

RANDALL MAY INT'L.

Field-Corps Bass Carrier

Model #	Ref #	Yamaha Part #	Description	UOM
RM-FC-B	1ALT	RM-1ALT	Belly Plate with Cutaway with Foam (1ALT & 2ALT)	EA
	2ALT	RM-2ALT	Belly Plate Foam - with cutaway	EA
	3	RM-TV3	Main Tube	EA
	4DC	RM-TV4DC	Dual Clamp	EA
	6AL	RM-6AL	Curved Shoulder Bar with Foam	EA
	11	RM-TV11	Tube End Plug	EA
	14DC	RM-14AL	Bolt Set (2 Bolts + 2 Washers)	EA
	15B	RM-TV15B	Clamp that holds tube to Shoulder Bar for Bass Carrier Only	EA
	16B	RM-T16B	J-Bolt Assembly for Bass Carrier	EA
	17	RM-TV17	Tube Connector	EA
	18	RM-TV18	Bracket or Clamp that goes with #17 (need QTY:2 per bracket)	EA
	19	RM-TV19	Stainless 3/4" Bolt (bulk packed)	EA
	20	RM-TROD627	Drum Key Bolt and washer for Clamp (for RM-TV15B)	EA
	20DC	RM-TVHMS-20DC	Drum key bolt and washer for dual J-Rod clamp	EA
	21SB	RM-TV21BS	J-Rod for Bass Carrier	EA
	25A	RM-TV12	Stainless 3/8" Bolt, washer, and lock washer (Set of 2 per bag)	EA
	27A	RM-TV13	Locking Nut and Stainless Steel Washer	EA
	BBCY	RM-BBC-Y	Back Bar Center	EA
BBLY	RM-BBL-Y	Back Bar Left	EA	
BBRY	RM-BBR-Y	Back Bar Right	EA	
MCCB	RM-MCCB-Y	Comfort Core Cushion MCCB	EA	