

Addendum for audio/video connection

When AV3, AV4, AUDIO1 or AUDIO2 is selected as the input source, a video signal input from an external component connected to the HDMI1-4 or AV1-6 jack can be output to the video monitor. This feature is useful when you connect a component such as the following.

Example 1: A game console that outputs an analog audio signal and a video signal via component video jacks.

Example 2: A set-top box that does not output an audio signal at the HDMI output jack.

To connect such a component, do the following connection/setting.

Part 1: Connecting an external component

Part 2: Assigning the video input jacks

Part 1: Connecting an external component

- **HDMI output jacks:** Connect the HDMI output jack of the external component to the available HDMI jack of this unit (see next section).
- **Audio output jacks:** Connect the audio output jacks of the external component to the AV3-4 or AUDIO1-2 audio input jacks.
- **Video output jacks:** Connect the video output jacks of the external component to the AV1-6 video input jacks.

Note

- Make sure that this unit and other components are unplugged from the AC wall outlets.

HDMI and audio connection

Audio output jacks on the connected source component	Input sources/jacks of this unit		Available HDMI jack
	AUDIO1	AUDIO	
Analog audio output	AUDIO1	AUDIO	HDMI1
	AUDIO2	AUDIO	HDMI2
Coaxial digital output	AV3 (CD)	COAXIAL	HDMI3
Optical digital output	AV4	OPTICAL	HDMI4

Audio connection

Output jacks on the connected source component	Input sources/jacks of this unit	
Coaxial digital output	AV3 (CD)	COAXIAL
Optical digital output	AV4	OPTICAL
Analog audio output	AUDIO1	AUDIO
	AUDIO2	AUDIO

Video connection

Output jacks on the connected source component	Jacks of this unit	
Component video output	AV1 (TV)	COMPONENT VIDEO
	AV2	COMPONENT VIDEO
Composite video output	AV3 (CD)	VIDEO
	AV4	VIDEO
	AV5	VIDEO
	AV6	VIDEO
S-Video output	AV5	S-VIDEO*

* Some models only.

Note

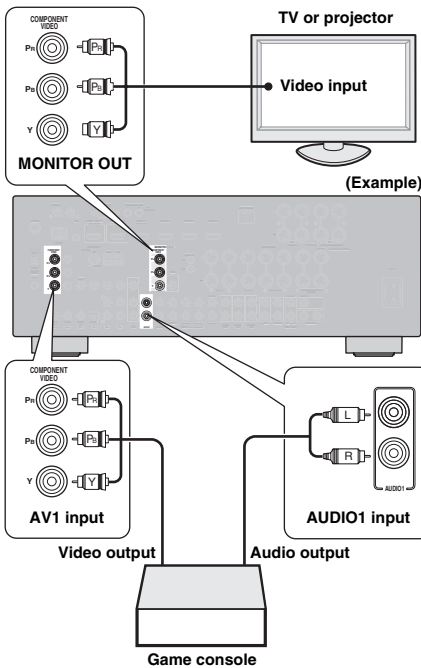
- If the video monitor is connected to this unit via an analog video connection (component video or composite video connection), connect the external component to this unit via the same analog connection.

Continues to the back side

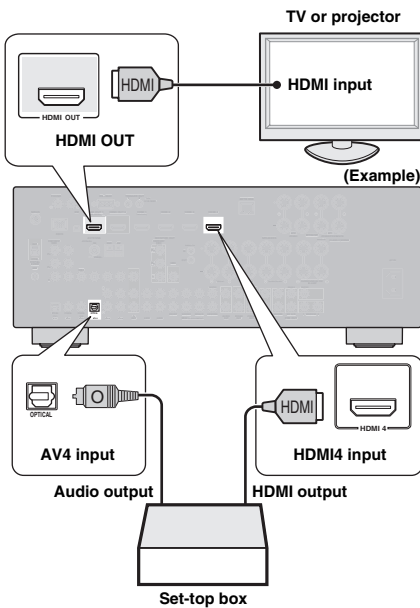


Example of connection

Example 1: Connecting a game console



Example 2: Connecting a set-top box



Part 2: Assigning the video input jacks

- 1 Turn on this unit.
- 2 Press **AV3-4** or **AUDIO1-2** on the remote control to select the input source.
Select the input source that the audio output jack of the external component is connected to.
When you made the connection same as the example 1, press **AUDIO1**.
- 3 Press **OPTION** on the remote control.
The OPTION menu appears.
- 4 Press **Cursor** Δ / ∇ to display "Video Out," and press **ENTER**.



- 5 Press **Cursor** \leftarrow / \rightarrow to select the video input terminal connected to the video output jacks of the external component.

- HDMI1-4*
- AV1-2 (COMPONENT VIDEO)
- AV3-6 (VIDEO)
- AV5 (S-VIDEO)**
- Off (no video input)

* You can only select the available HDMI jack (See previous page).

** Some models only.

When you made the connection same as the example 1, select AV1.



- 6 To end the setting, press **OPTION**.



- After assigning the video input jacks, change the icon and the input name. Press **ON SCREEN** on the remote control, and then select "Setup" → "Function Setup" → "Input Rename." You can select the icon and the input name from the templates.

Example 1: Select the "Game" template.

Example 2: Select the "SetTopBox" template.