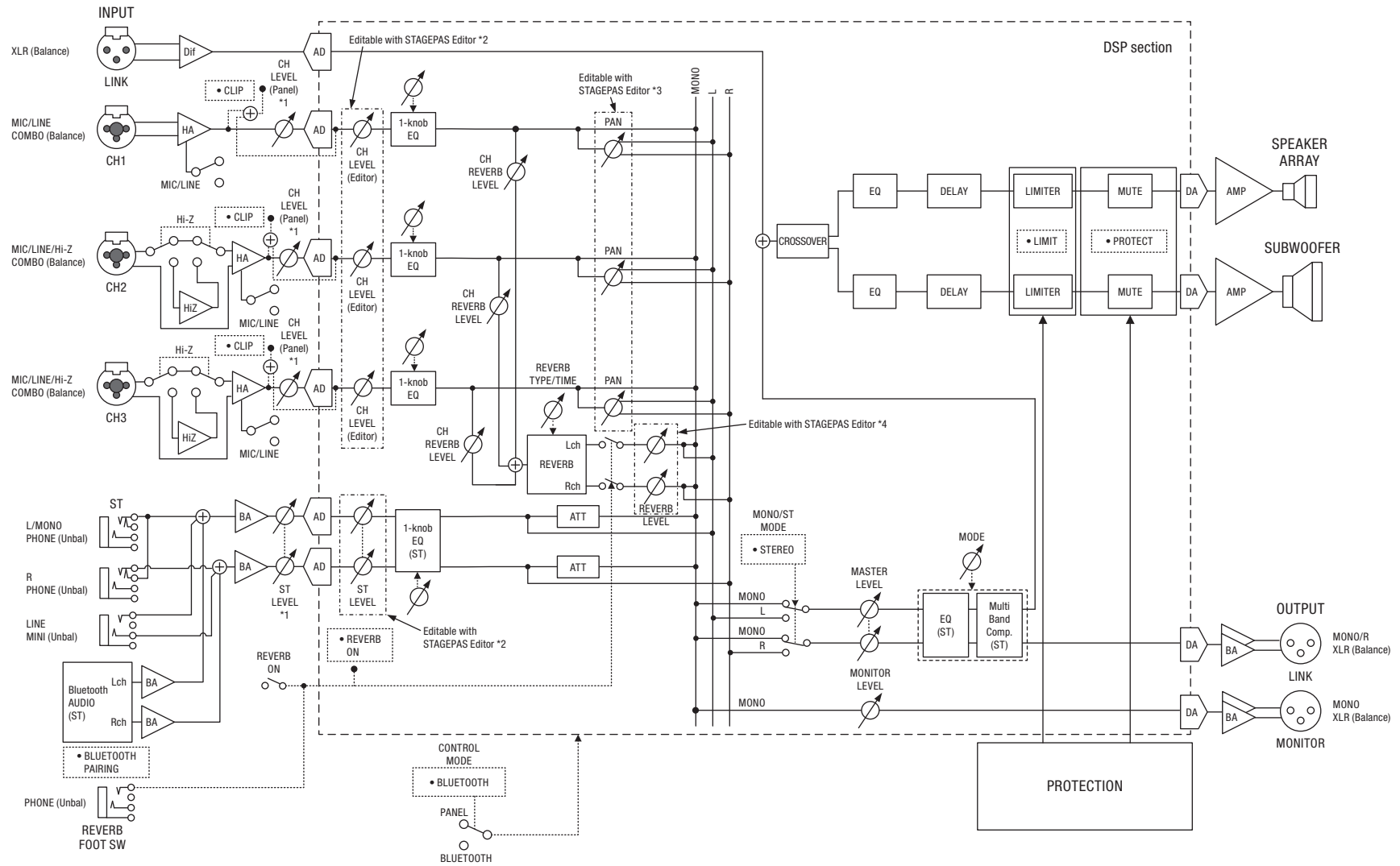


# STAGEPAS 1K

## Block Diagram



\*1 As for "All CH LEVEL" Volume (CH1-CH3 LEVEL, ST LEVEL), nominal level: Center Click position

\*2 At the "Control panel mode", CH LEVEL settings are fixed at 0 dB position.

\*3 At the "Control panel mode", PAN settings are fixed at center position.

\*4 At the "Control panel mode", REVERB LEVEL settings are fixed at -3 dB position.