

DEAGAN

DEAGAN CHIMES SERIES

**DC9190A / DC9160A / DC9150A
DC9190B / DC9160B / DC9150B**

取扱説明書 / Owner's Manual

このたびは DEAGAN チャイムをお買い上げいただきまして誠にありがとうございます。
取扱説明書をご一読いただき、末長くご愛用いただきますようお願い申し上げます。

Thank you for selecting the DEAGAN chimes.

Please read this owner's manual carefully, and truly enjoy this instrument for years to come.



『安全へのこころがけ』および『ご使用にあたって』を必ずお読みください。
Make sure to read the "PRECAUTIONS" on page 3 and the "Before you use" on page 5.

PRECAUTIONS

Using the Chimes Safely

The chimes are a large and heavy instrument that gets used in various places by persons of all ages, so please obey the following instructions regarding their regular care and placement.

Especially in the case of children, a responsible adult should provide proper instruction on how to use and treat the chimes before use.

Preventing Injuries – Make sure that all precautions described below are obeyed –

About the Icons

Icons are used in this section to promote the safe use of this product, and to prevent you and others from harm and property damage. Please fully understand the meaning of the icons before reading the manual.



This icon urges you to pay caution (includes dangers and warnings).



This icon indicates actions that are prohibited. For example: Do not disassemble.



This icon indicates special instructions that should be strictly followed.



Warning

Disregard of the warnings with this mark or misuse may result in death or personal injury.



Before you use the chime, carefully read the instructions listed below and the owner's manual.

Cautions when setting the instrument.



Never place the instrument on an sloping, unstable, etc., platform. The instrument may fall or overturn and result in injury.

Cautions for treatment of the instrument.

Never lean on or climb onto the instrument. The instrument may fall and result in injury.



Do not play or roughhouse around the instrument. Bumping into the instrument may result in injury. It may also cause instrument may also fall over. Keep children away from the instrument.



If an earthquake occurs, strong shocks caused by the earthquake may overturn the instrument or cause it to move about. Stay away from the instrument during earthquakes.

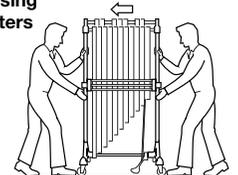
Cautions when moving the instrument.

When transporting the chimes, make sure that the damper is engaged and all caster locks are released.

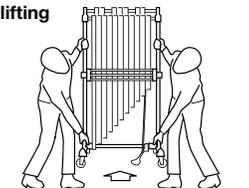
The chimes can overturn if moved with the caster locks engaged.

- The chimes should **only be moved across smooth, flat surfaces** when using the casters. Never move the chimes on a sloped, unstable, or gravel surface. Doing so can cause the chimes to overturn or run out of control resulting in serious injury. Always move the chimes **slowly**, with two persons supporting the side columns as shown in the illustration on the right. Never run. Doing so can result in the chimes running out of control and hitting an obstacle or wall causing serious injury.
- The weight of the DC9190 is approximately 76kg and the DC9160/9150 approximately 57kg.** If the chimes must be lifted when being moved, lift them carefully, using as many persons as possible to avoid injury. At this time, **lift the chimes by holding the base section** and supporting the side column making sure that the hanger section (from which the sound columns hang) remains in an upright position. Never lift the base section higher than the hanger section. Doing so can result in the sound columns coming off the hanger.
- Moving the instrument up or down stairs should never be done with the instrument assembled. Doing so is a danger as parts can fall off, or you can lose balance causing the instrument to fall over. Only move the instrument after it has been disassembled.

When using the casters



When lifting



Caution

Injury or handicaps to persons caused by the disregard of warnings with this mark or, misuse of the instrument, may result in the loss of personal property.



When assembling or disassembling the instrument, be careful around the sides or ends of metal parts so as to prevent injury to fingers, etc.



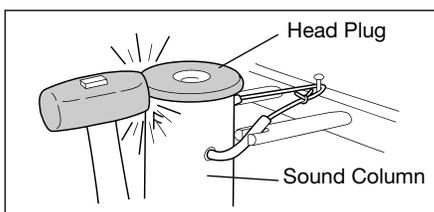
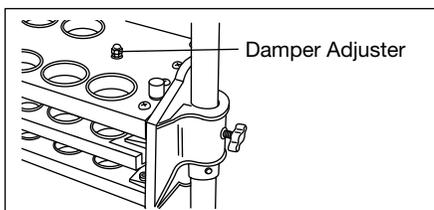
Do not use the hammer for anything other than playing the instrument. It may be the cause of injury or accidents. Do not let children strike other, etc., with the hammer. Do not allow such dangerous behavior to take place.



If the instrument is often moved, bolts, parts, etc., may become loose. After moving the instrument, check and make sure all bolts, parts, etc., are firmly fastened. Firmly tighten all loose items.

Before you use

- 1 Never use a metal type hammer or mallets to strike the sound column with. The sound column will break.
- 2 Always use the instrument on a flat, level surface. The instrument will not function properly on a sloped surface.
- 3 When assembling the stand, make sure each part is firmly attached, and there is no twisting or disfigurement in the frame. Also, make sure that all wing nuts are firmly tightened.
- 4 Use your toes to operate the damper pedal. Do not stand on or put your weight on the pedal. Doing so may cause the pedal to break.
- 5 Do not touch the damper adjuster (shown in the illustration left). The adjuster has been adjusted at the factory. Moving the adjuster may result in the damper not functioning properly.
- 6 When playing the chime, make sure the caster brakes are firmly set and the chime stand does not move about.
- 7 Hit the Head Plug when playing the chime. Never hit the sound column (pipe) with the hammer.
- 8 Do not keep the chime in a place where high temperatures and high humidity are present. Doing so will result in the shortening of the instruments life.
- 9 For regular cleaning, wipe with a soft, dry cloth. Never wipe with thinner, or polishing preparations.



Be careful when transporting

- 1 When transporting or moving the instrument, do not subject it to strong shocks
- 2 The sound column's pitch and/or tone may change if the columns are scratched or bent. Be careful.
- 3 When the instrument is to be transported over long distances, especially by vehicle, do so with the sound columns removed from the stand. The shape of the stand may change and the column's wire/strings may be cut if the columns are not removed.
- 4 When attaching or removing the sound columns, do so in a place where there is sufficient room so that the columns do not come into contact with other objects.
- 5 After the sound columns are removed, wrap them in a soft cloth, etc., to prevent scratching, and then transport.

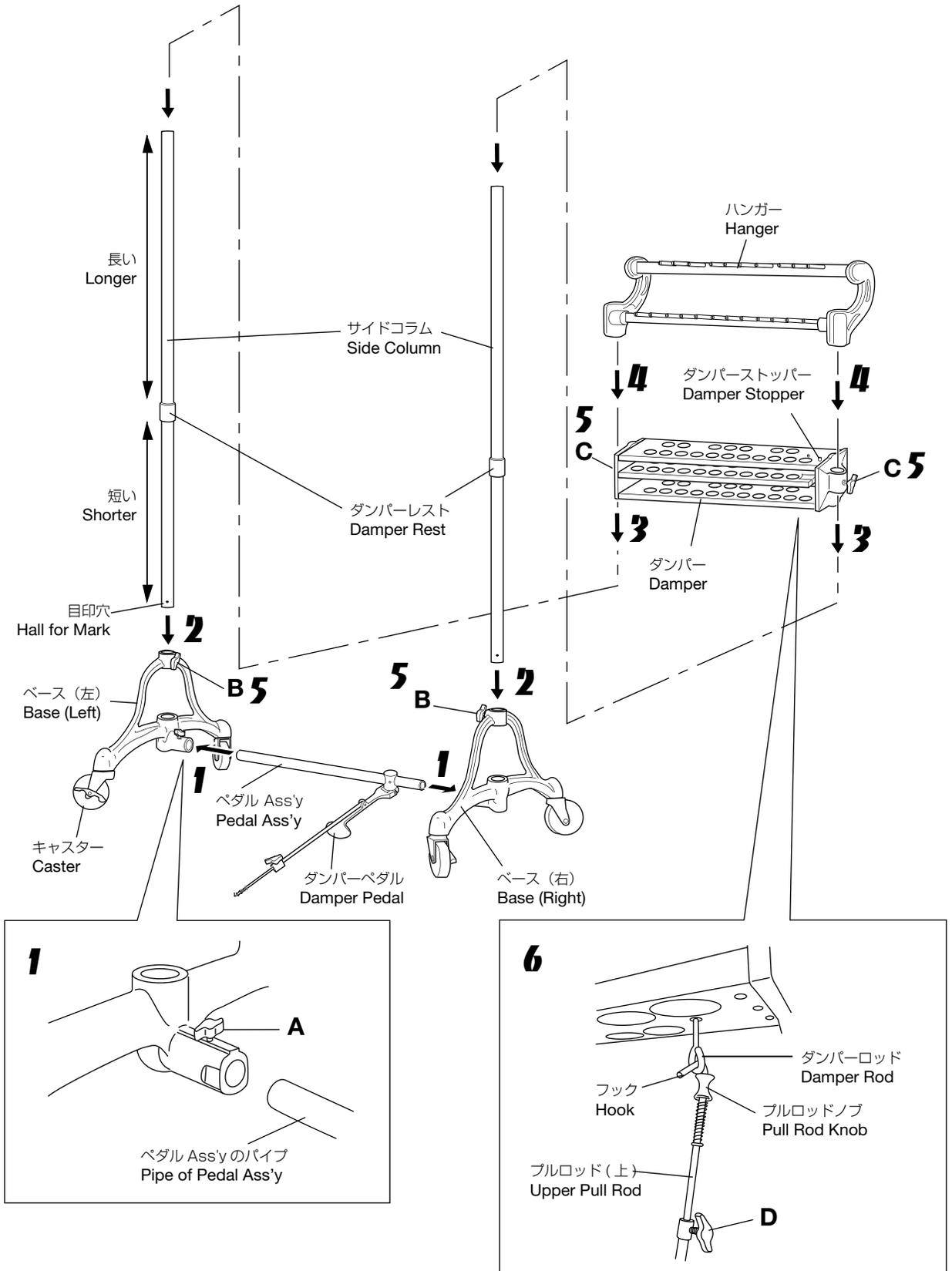
組立方法 / ASSEMBLY PROCEDURE



組み立ておよび分解作業は、必ず二人以上で行なってください。

Make sure the chimes are assembled or disassembled by at least two persons.

- 1** ベース（左・右）とペダル Ass'y を接続します。
右図の配置になるようにベース（左・右）とペダル Ass'y を用意します。
* 以下組立は、手前が奏者側になる向きで行ないます。
ネジ **A** を十分ゆるめてから、連結用穴にペダル Ass'y のパイプを止まるまで差し込み、ネジ **A** を締めて固定します。
接続したら、キャスターをロックします（左右）。
1 **Connect the pedal assembly to the left and right base sections.**
Position the pedal assembly and left/right base sections as shown in the illustration right.
* **The following procedure is carried out to ensure that the performer faces forward when playing the instrument.**
Fully loosen screws **A**, and then slide the pedal assembly pipe all the way into the hole on the base section. Tighten screws **A** to secure.
After connecting the assembly pipe to the base sections, lock the casters (left and right).
- 2** ベース左右にサイドコラムを差し込みます。
ネジ **B** を十分ゆるめてから、パイプ端に穴がある側を下にして、連結用穴にサイドコラムを止まるまで差し込みます（左右共）。
* サイドコラムは左右同部品です。
* ダンパーおよびハンガーのセットをスムーズにするため、ここではまだネジ **B** は締め付けません。
2 **Insert the side columns into the holes on the left and right base sections.**
Fully loosen screws **B** and insert the end of the side column pipe with the small hole on its side, all the way into the left and right side base sections.
* **Both left and right side columns are the same.**
* **To make attachment of the damper and hanger sections easier, do not tighten screws **B** yet.**
- 3** ダンパーをセットします。
ネジ **C** を十分ゆるめてから、ダンパーロッドが右側に来る向きで、サイドコラム上部からダンパーを差し込みます。ダンパーはダンパーレストの位置まで下げます。
* ハンガーのセットをスムーズにするため、ここではまだネジ **C** は締め付けません。
3 **Set the damper.**
Fully loosen screws **C** and slide the damper onto the side columns from above so that the damper rod is positioned on the right. Slide the damper down the columns until it comes to rest on the damper rests.
* **To make attachment of the hanger section easier, do not tighten screws **C** yet.**
- 4** ハンガーをセットします。
サイドコラム上部にハンガーを差し込みます。根元までしっかりと差し込んでください。
4 **Set the hanger.**
Slide the hanger onto the side columns from above. Slide it all the way onto the columns.
- 5** ネジ **B** およびネジ **C** を締めます。
ネジ **B** およびネジ **C** を左右ともしっかりと締めて固定します。
5 **Tighten screws **B** and **C**.**
Firmly tighten screws **B** and **C** on both right and left sides and secure.
- 6** ダンパーペダルをセットします。
ダンパーペダルを手前に引き出し、プルロッド（上）のフック部分をダンパーロッドに引っ掛けます。このときプルロッドノブを一旦押し下げた状態で引っ掛け、その後プルロッドノブを離します。
* ダンパーペダルは踏まないでください。ダンパーがかかり、サウンドコラムがセットできなくなります。
6 **Set the damper pedal.**
Pull the damper pedal out to the front, and then hook the hook on the end of the pull rod onto the damper rod. At this time, pull down on the pull rod knob to hook onto the damper rod, then release the pull rod knob.
* **Do not press down on the damper pedal. Doing so engages the damper and the sound columns cannot be hung.**

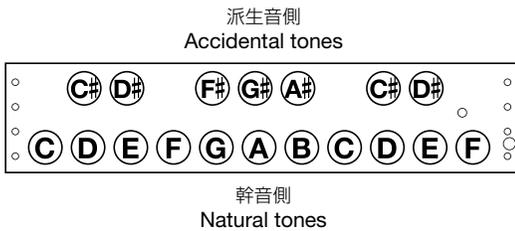


7 サウンドコラムをハンガーにセットします。

ダンパーが解除されている（ダンパーストッパーがかかっている）ことを確認します。

* ダンパーがかかっている場合は、ペダルを踏み込んだ状態でダンパーストッパーを押し下げ、そのままペダルを離してダンパーストッパーをかけます。

下図のように派生音側～幹音側の順に取り付けます。音名の刻印を前面にして、片方のハンガーピンの溝に吊りひもを掛け、次にハンガー上部の丸リベットに掛けてから、もう一方のハンガーピンの溝に吊りひもを通します。このとき、吊りひもの結び目が丸リベットにかからないようにしてください。

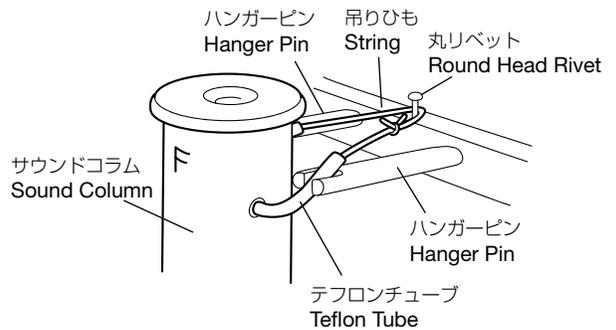


7 Hanging the sound columns from the hanger.

Make sure that the damper is disengaged (the damper stopper is set).

* If the damper is engaged, press down on the damper pedal, then push down on the damper stopper and release the damper pedal to engage the damper stopper.

Hang the sound columns starting with the accidental tones before hanging the natural tones. Make sure that the pitch name is facing forward then place the string into the guides on the hanger pins and hook the string on the round head rivet. Make sure that the knot in the string is not in contact with the round head rivet.

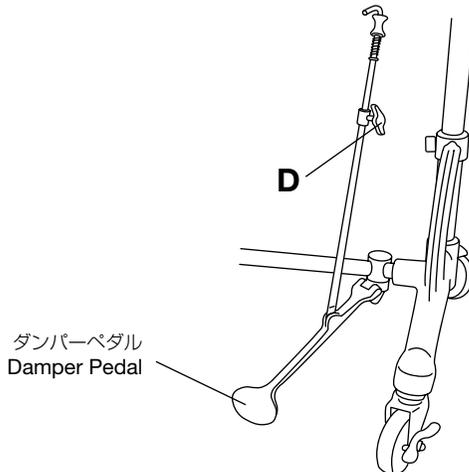


8 ダンパーペダルを調整します。

ネジ **D** をゆるめ、ダンパーペダルの踏み込み具合を調整したら、ネジ **D** を締めて固定します。ペダルを踏み込んで止まる位置が床面より少し浮いた状態が最適です。

8 Adjust the damper pedal.

Loosen screw **D** to adjust the angle of the damper pedal, and then tighten screw **D** to secure. The pedal is best positioned when it lies slightly above the floor when pressed all the way down.



分解する場合は、組み立てる時と反対の手順で行ないます。

Disassembly is performed simply by reversing the assembly order.

