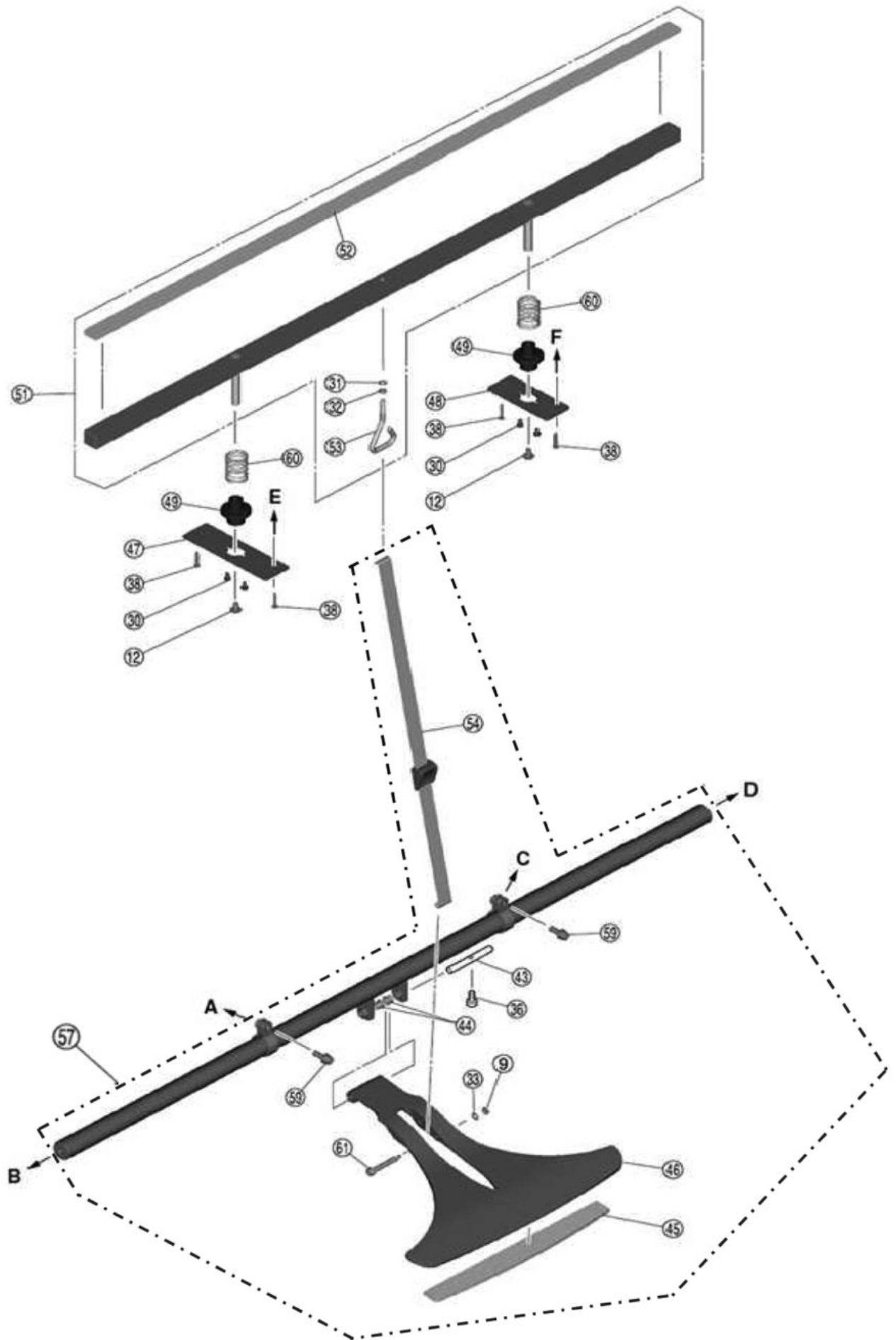
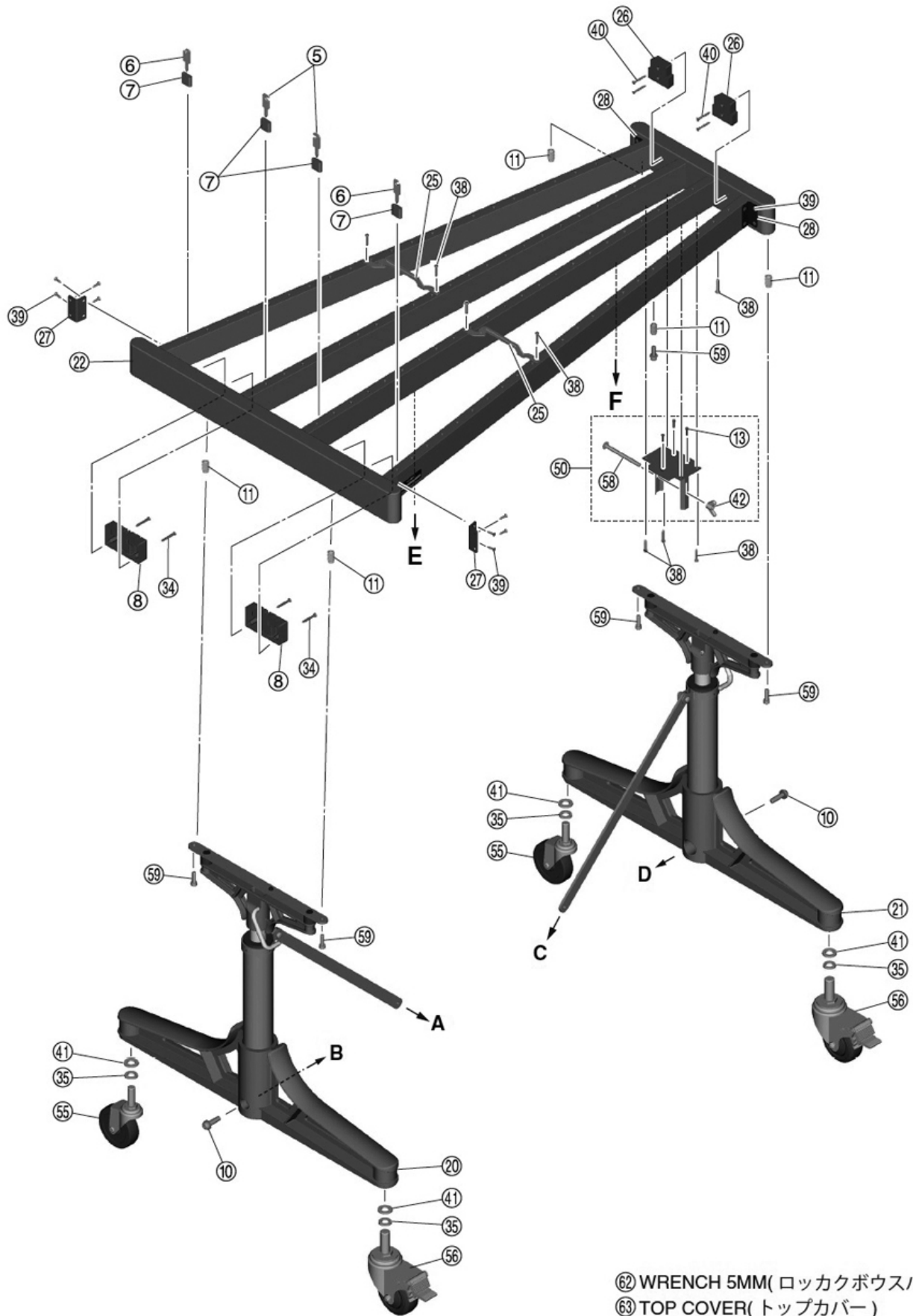


Model Name : YV-2030MS



Model Name : YV-2030MS



Model Name : YV-2030MS

Ref No.	Parts No.(ChangeNo.)	English Name	Minimum Order Quantity	Accept order or not
1	VDP78400	NATURAL TONEBAR ASSY YV2030 S.PART	PC.	
1-1	VDV48200	TUNED TONE BAR F33 YV2030MS	PC.	
1-10	VDV49100	TUNED TONE BAR A49 YT YV2030MS	PC.	
1-11	VDV49200	TUNED TONE BAR B51 YT YV2030MS	PC.	
1-12	VDV49300	TUNED TONE BAR C52 YT YV2030MS	PC.	
1-13	VDV49400	TUNED TONE BAR D54 YT YV2030MS	PC.	
1-14	VDV49500	TUNED TONE BAR E56 YT YV2030MS	PC.	
1-15	VDV49600	TUNED TONE BAR F57 YT YV2030MS	PC.	
1-16	VDV49700	TUNED TONE BAR G59 YT YV2030MS	PC.	
1-17	VDV49800	TUNED TONE BAR A61 YT YV2030MS	PC.	
1-18	VDV49900	TUNED TONE BAR B63 YT YV2030MS	PC.	
1-19	VDV50000	TUNED TONE BAR C64 YT YV2030MS	PC.	
1-2	VDV48300	TUNED TONE BAR G35 YV2030MS	PC.	
1-20	VDV50100	TUNED TONE BAR D66 YT YV2030MS	PC.	
1-21	VDV50200	TUNED TONE BAR E68 YT YV2030MS	PC.	
1-22	VDV50300	TUNED TONE BAR F69 YT YV2030MS	PC.	
1-3	VDV48400	TUNED TONE BAR A37 YV2030MS	PC.	
1-4	VDV48500	TUNED TONE BAR B39 YV2030MS	PC.	
1-5	VDV48600	TUNED TONE BAR C40 YT YV2030MS	PC.	
1-6	VDV48700	TUNED TONE BAR D42 YT YV2030MS	PC.	
1-7	VDV48800	TUNED TONE BAR E44 YT YV2030MS	PC.	
1-8	VDV48900	TUNED TONE BAR F45 YT YV2030MS	PC.	
1-9	VDV49000	TUNED TONE BAR G47 YT YV2030MS	PC.	
10	VAF39400	BOLT HEXAGON SOCKET 8.0X30 MFZN2B3 SW	PC.	
11	VAF39700	FANG NUT P 6.0X20 MFZN2W3	PC.	
12	VAF93100	MACHINE SCREW TRUSS 6.0X10 MFZN2W3	PC.	
13	VAS48100	MACHINE SCREW PAN 3.0X12 MFZN2B3	PC.	
14	VDP77900	Revolving Fan Shaft (Natural) YV2030MS	PC.	
15	VDP78000	Revolving Fan Shaft(Accidental)YV2030MS	PC.	
16	VAS62700	MACHINE SCREW PAN 3.0X4 MFZN2B3 SW	PC.	
17	VAS62800	MACHINE SCREW PAN 3.0X6 MFZN2B3 SW	PC.	
2	VDP78500	ACCIDENTAL TONEBAR ASSY YV2030	PC.	
2-1	VDV50800	TUNED TONE BAR F#34 YV2030MS	PC.	
2-10	VDV51700	TUNED TONE BAR D#55 YT YV2030MS	PC.	
2-11	VDV51800	TUNED TONE BAR F#58 YT YV2030MS	PC.	
2-12	VDV51900	TUNED TONE BAR G#60YT YV2030MS	PC.	
2-13	VDV52000	TUNED TONE BAR A#62 YT YV2030MS	PC.	
2-14	VDV52100	TUNED TONE BAR C#65 YT YV2030MS	PC.	
2-15	VDV52200	TUNED TONE BAR D#67 YT YV2030MS	PC.	
2-2	VDV50900	TUNED TONE BAR G#36 YV2030MS	PC.	

Model Name : YV-2030MS

Ref No.	Parts No.(ChangeNo.)	English Name	Minimum Order Quantity	Accept order or not
2-3	VDV51000	TUNED TONE BAR A#38 YV2030MS	PC.	
2-4	VDV51100	TUNED TONE BAR C#41 YT YV2030MS	PC.	
2-5	VDV51200	TUNED TONE BAR D#43 YT YV2030MS	PC.	
2-6	VDV51300	TUNED TONE BAR F#46 YT YV2030MS	PC.	
2-7	VDV51400	TUNED TONE BAR G#48 YT YV2030MS	PC.	
2-8	VDV51500	TUNED TONE BAR A#50 YT YV2030MS	PC.	
2-9	VDV51600	TUNED TONE BAR C#53 YT YV2030MS	PC.	
20	VDP78100	LEG ASSY L YTYV	PC.	
21	VDP78200	LEG ASSY R YTYV	PC.	
23	ZZ099100	RESONATOR ASSY YV2030MS	PC.	
24	ZZ099200	RESONATOR ASSY YV2030MS	PC.	
25	W5133870	RAIL CRAMP YT300C	1 PC	
26	W5128280	RESONATOR ADJUSTER (HIGH TONE END)YV600E	1 PC	
27	W5131131	RAIL MOUNT HOLDER YV500D	1 PC	
28	W5131141	RAIL MOUNT HOLDER (S) YV500D	1 PC	
3	W5110220	TONE BAR SUS.CORD(BRAIDED VINYLON)YV.B.C	1 PC	
30	WF104900	SCREW MACHINE +PAN SW 4.0X10 MFZN2W3	PC.	
31	WF513200	WASHER SPRING #2 6.0 MFZN2W3	1 ST	
33	WJ829000	Flat Washer 5.5x15x1.2 MFZN2W3	1 PC	
34	WT662400	SCREW WOOD +FLAT 3.5X32 MFZN2B3	1 PC.	
35	WT670500	WASHER SPRING 1/2 IN MFZN2W3	1 PC.	
36	ZF184800	BOLT 5.0X12 MFZN2B3	1 PC	
37	W5128120	PULLY MOUNTING SCREW YV2500 4.0X4	1 PC	
38	ZH466801	SCREW WOOD +RND 3.5X20 MFZN2B3	1 PC.	
39	EP355166	FLAT HEAD WOOD SCREW 3.5X16 FCRM3-BL (6)	1 PACK(6PC/PACK)	
4	W5110030	CODE TENSION SPRING (M) YT,YV	1 PC	
40	ZH677000	SCREW WOOD +FLAT 3.1X32 MFZN2B3	1 PC	
41	ZK516100	WASHER PLAIN 1/2 IN MFZN2W3	PC.	
42	ZQ805400	WING NUT 6.0#1 MFZR33	PC.	
43	ZY000800	PEDALPIN YCH7018	PC.	
44	ZY199600	BUSH HPF-0808	PC.	
45	ZY200000	PEDAL DAMPER YCH7018	PC.	
46	ZZ040600	PEDAL YT YV	PC.	
47	ZZ095800	SPRING BASE M	PC.	
48	ZZ095900	SPRING BASE S	PC.	
49	ZZ096100	SLIDE GUIDE	PC.	
5	V4431400	SUSPENSION POST I-46-BL	1 PC.	
50	VDW95300	DRIVER BRACKET ASSY	PC.	
51	VDW95500	DAMPER ASSY S	PC.	
52	ZZ097600	DAMPER FELT S	PC.	

