

MODUS H11

Owner's Manual

Bedienungsanleitung

Mode d'emploi

Manual de instrucciones

ENGLISH

DEUTSCH

FRANÇAIS

ESPAÑOL

For information on assembling the keyboard stand, refer to the instructions at the end of this manual.

IMPORTANT – Check your power supply –

Make sure that your local AC mains voltage matches the voltage specified on the name plate on the bottom panel. In some areas a voltage selector may be provided on the bottom panel of the main keyboard unit near the power cord. Make sure that the voltage selector is set for the voltage in your area. The voltage selector is set at 240V when the unit is initially shipped. To change the setting use a "minus" screwdriver to rotate the selector dial so that the correct voltage appears next to the pointer on the panel.

Weitere Informationen über die Montage des Keyboard-Ständers erhalten Sie in den Anweisungen am Ende dieses Handbuchs.

WICHTIG —Überprüfung der Stromversorgung—

Vergewissern Sie sich vor dem Anschließen an das Stromnetz, daß die örtliche Netzspannung den Betriebsspannungswerten auf dem Typenschild an der Unterseite des Instruments entspricht. In bestimmten Regionen ist auf der Unterseite des Keyboards in der Nähe des Netzkabels ein Spannungswähler angebracht. Falls vorhanden, muß der Spannungswähler auf die örtliche Netzspannung eingestellt werden. Der Spannungswähler wurde werkseitig auf 240 V voreingestellt. Zum Verstellen drehen Sie den Spannungsregler mit einem Schlitzschraubendreher, bis der Zeiger auf den korrekten Spannungswert weist.

Pour obtenir les détails sur l'assemblage du pupitre du clavier, reportez-vous aux instructions figurant à la fin de ce manuel.

IMPORTANT —Contrôler la source d'alimentation—

Vérifiez que la tension spécifiée sur le panneau inférieur correspond à la tension du secteur. Dans certaines régions, l'instrument peut être équipé d'un sélecteur de tension situé sur le panneau inférieur du clavier à proximité du cordon d'alimentation. Vérifiez que ce sélecteur est bien réglé en fonction de la tension secteur de votre région. Le sélecteur de tension est réglé sur 240 V au départ d'usine. Pour modifier ce réglage, utilisez un tournevis à lame plate pour tourner le sélecteur afin de mettre l'indication correspondant à la tension de votre région vis à vis du repère triangulaire situé sur le panneau.

Para información sobre el montaje del soporte del teclado, consulte las instrucciones al final de este manual.

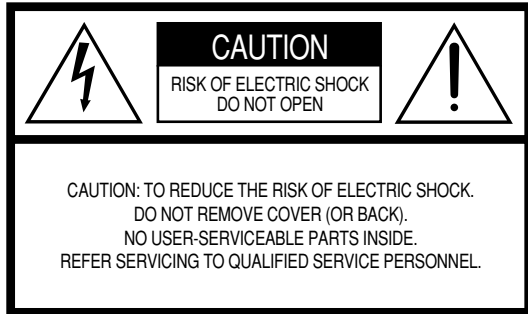
IMPORTANTE —Verifique la alimentación de corriente—

Asegúrese de que tensión de alimentación de CA de su área corresponde con la tensión especificada en la placa de características del panel inferior. En algunas zonas puede haberse incorporado un selector de tensión en el panel inferior de la unidad del teclado principal, cerca del cable de alimentación. Asegúrese de que el selector de tensión esté ajustado a la tensión de su área. El selector de tensión se ajusta a 240V cuando la unidad sale de fábrica. Para cambiar el ajuste, emplee un destornillador de cabeza "recta" para girar el selector de modo que aparezca la tensión correcta al lado del indicador del panel.

EN
DE
FR
ES

SPECIAL MESSAGE SECTION

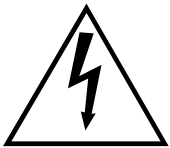
PRODUCT SAFETY MARKINGS: Yamaha electronic products may have either labels similar to the graphics shown below or molded/stamped facsimiles of these graphics on the enclosure. The explanation of these graphics appears on this page. Please observe all cautions indicated on this page and those indicated in the safety instruction section.



See bottom of Keyboard enclosure for graphic symbol markings.



The exclamation point within the equilateral triangle is intended to alert the user to the presence of important operating and maintenance (servicing) instructions in the literature accompanying the product.



The lightning flash with arrowhead symbol, within the equilateral triangle, is intended to alert the user to the presence of uninsulated “dangerous voltage” within the product’s enclosure that may be of sufficient magnitude to constitute a risk of electrical shock.

IMPORTANT NOTICE: All Yamaha electronic products are tested and approved by an independent safety testing laboratory in order that you may be sure that when it is properly installed and used in its normal and customary manner, all foreseeable risks have been eliminated. **DO NOT** modify this unit or commission others to do so unless specifically authorized by Yamaha. Product performance and/or safety standards may be diminished. Claims filed under the expressed warranty may be denied if the unit is/has been modified. Implied warranties may also be affected.

SPECIFICATIONS SUBJECT TO CHANGE: The information contained in this manual is believed to be correct at the time of printing. However, Yamaha reserves the right to change or modify any of the specifications without notice or obligation to update existing units.

ENVIRONMENTAL ISSUES: Yamaha strives to produce products that are both user safe and environmentally friendly. We sincerely believe that our products and the production methods used to produce them, meet these goals. In keeping with both the letter and the spirit of the law, we want you to be aware of the following:

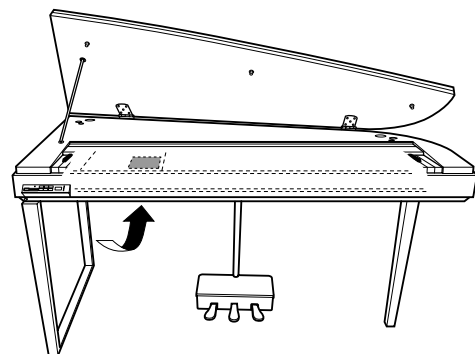
Battery Notice: This product **MAY** contain a small non-rechargeable battery which (if applicable) is soldered in place. The average life span of this type of battery is approximately five years. When replacement becomes necessary, contact a qualified service representative to perform the replacement.

Warning: Do not attempt to recharge, disassemble, or incinerate this type of battery. Keep all batteries away from children. Dispose of used batteries promptly and as regulated by applicable laws. Note: In some areas, the servicer is required by law to return the defective parts. However, you do have the option of having the servicer dispose of these parts for you.

Disposal Notice: Should this product become damaged beyond repair, or for some reason its useful life is considered to be at an end, please observe all local, state, and federal regulations that relate to the disposal of products that contain lead, batteries, plastics, etc.

NOTICE: Service charges incurred due to lack of knowledge relating to how a function or effect works (when the unit is operating as designed) are not covered by the manufacturer’s warranty, and are therefore the owners responsibility. Please study this manual carefully and consult your dealer before requesting service.

NAME PLATE LOCATION: The graphic below indicates the location of the name plate. The model number, serial number, power requirements, etc., are located on this plate. You should record the model number, serial number, and the date of purchase in the spaces provided below and retain this manual as a permanent record of your purchase.



Model _____

Serial No. _____

Purchase Date _____

FCC INFORMATION (U.S.A.)

1. **IMPORTANT NOTICE: DO NOT MODIFY THIS UNIT!**

This product, when installed as indicated in the instructions contained in this manual, meets FCC requirements. Modifications not expressly approved by Yamaha may void your authority, granted by the FCC, to use the product.

2. **IMPORTANT:** When connecting this product to accessories and/or another product use only high quality shielded cables. Cable/s supplied with this product **MUST** be used. Follow all installation instructions. Failure to follow instructions could void your FCC authorization to use this product in the USA.

3. **NOTE:** This product has been tested and found to comply with the requirements listed in FCC Regulations, Part 15 for Class "B" digital devices. Compliance with these requirements provides a reasonable level of assurance that your use of this product in a residential environment will not result in harmful interference with other electronic devices. This equipment generates/uses radio frequencies and, if not installed and used according to the instructions found in the users manual, may cause interference harmful to the operation of

other electronic devices. Compliance with FCC regulations does not guarantee that interference will not occur in all installations. If this product is found to be the source of interference, which can be determined by turning the unit "OFF" and "ON", please try to eliminate the problem by using one of the following measures:

Relocate either this product or the device that is being affected by the interference.

Utilize power outlets that are on different branch (circuit breaker or fuse) circuits or install AC line filter/s.

In the case of radio or TV interference, relocate/reorient the antenna. If the antenna lead-in is 300 ohm ribbon lead, change the lead-in to co-axial type cable.

If these corrective measures do not produce satisfactory results, please contact the local retailer authorized to distribute this type of product. If you can not locate the appropriate retailer, please contact Yamaha Corporation of America, Electronic Service Division, 6600 Orangethorpe Ave, Buena Park, CA90620

The above statements apply **ONLY** to those products distributed by Yamaha Corporation of America or its subsidiaries.

* This applies only to products distributed by YAMAHA CORPORATION OF AMERICA.

(class B)

IMPORTANT NOTICE FOR THE UNITED KINGDOM

Connecting the Plug and Cord

IMPORTANT. The wires in this mains lead are coloured in accordance with the following code:

BLUE : NEUTRAL
BROWN : LIVE

As the colours of the wires in the mains lead of this apparatus may not correspond with the coloured markings identifying the terminals in your plug proceed as follows:

The wire which is coloured BLUE must be connected to the terminal which is marked with the letter N or coloured BLACK.

The wire which is coloured BROWN must be connected to the terminal which is marked with the letter L or coloured RED.

Making sure that neither core is connected to the earth terminal of the three pin plug.

• This applies only to products distributed by Yamaha Music U.K. Ltd.

(2 wires)

PRECAUTIONS

PLEASE READ CAREFULLY BEFORE PROCEEDING

* Please keep this manual in a safe place for future reference.



WARNING

Always follow the basic precautions listed below to avoid the possibility of serious injury or even death from electrical shock, short-circuiting, damages, fire or other hazards. These precautions include, but are not limited to, the following:

Power supply/Power cord

- Only use the voltage specified as correct for the instrument. The required voltage is printed on the name plate of the instrument.
- Check the electric plug periodically and remove any dirt or dust which may have accumulated on it.
- Use only the supplied power cord/plug.
- Do not place the power cord near heat sources such as heaters or radiators, and do not excessively bend or otherwise damage the cord, place heavy objects on it, or place it in a position where anyone could walk on, trip over, or roll anything over it.
- Be sure to connect to an appropriate outlet with a protective grounding connection. Improper grounding can result in electrical shock.

Do not open

- Do not open the instrument or attempt to disassemble the internal parts or modify them in any way. The instrument contains no user-serviceable parts. If it should appear to be malfunctioning, discontinue use immediately and have it inspected by qualified Yamaha service personnel.

Water warning

- Do not expose the instrument to rain, use it near water or in damp or wet conditions, or place containers on it containing liquids which might spill into any openings. If any liquid such as water seeps into the instrument, turn off the power immediately and unplug the power cord from the AC outlet. Then have the instrument inspected by qualified Yamaha service personnel.
- Never insert or remove an electric plug with wet hands.

Fire warning

- Do not put burning items, such as candles, on the unit.
A burning item may fall over and cause a fire.

If you notice any abnormality

- If the power cord or plug becomes frayed or damaged, or if there is a sudden loss of sound during use of the instrument, or if any unusual smells or smoke should appear to be caused by it, immediately turn off the power switch, disconnect the electric plug from the outlet, and have the instrument inspected by qualified Yamaha service personnel.



CAUTION

Always follow the basic precautions listed below to avoid the possibility of physical injury to you or others, or damage to the instrument or other property. These precautions include, but are not limited to, the following:

Power supply/Power cord

- When removing the electric plug from the instrument or an outlet, always hold the plug itself and not the cord. Pulling by the cord can damage it.
- Remove the electric plug from the outlet when the instrument is not to be used for extended periods of time, or during electrical storms.
- Do not connect the instrument to an electrical outlet using a multiple-connector. Doing so can result in lower sound quality, or possibly cause overheating in the outlet.

Assembly

- Read carefully the attached documentation explaining the assembly process. Failure to assemble the instrument in the proper sequence might result in damage to the instrument or even injury.

Location

- Do not expose the instrument to excessive dust or vibrations, or extreme cold or heat (such as in direct sunlight, near a heater, or in a car during the day) to prevent the possibility of panel disfiguration or damage to the internal components.
- Do not use the instrument in the vicinity of a TV, radio, stereo equipment, mobile phone, or other electric devices. Otherwise, the instrument, TV, or radio may generate noise.
- Do not place the instrument in an unstable position where it might accidentally fall over.
- Before moving the instrument, remove all connected cables.
- When setting up the product, make sure that the AC outlet you are using is easily accessible. If some trouble or malfunction occurs, immediately turn off the power switch and disconnect the plug from the outlet. Even when the power switch is turned off, electricity is still flowing to the product at the minimum level. When you are not using the product for a long time, make sure to unplug the power cord from the wall AC outlet.

Connections

- Before connecting the instrument to other electronic components, turn off the power for all components. Before turning the power on or off for all components, set all volume levels to minimum. Also, be sure to set the volumes of all components at their minimum levels and gradually raise the volume controls while playing the instrument to set the desired listening level.

Maintenance

- In the case of a model with a polished finish, gently remove dust and dirt with a soft cloth. Do not wipe too hard since small particles of dirt can scratch the instrument's finish.
- When cleaning the instrument, use a soft, dry or slightly damp cloth. Do not use paint thinners, solvents, cleaning fluids, or chemical-impregnated wiping cloths.
- During extreme changes in temperature or humidity, condensation may occur and water may collect on the surface of the instrument. If water is left, the wooden parts may absorb the water and be damaged. Make sure to wipe any water off immediately with a soft cloth.

Handling caution

- Take care that the key cover does not pinch your fingers, and do not insert a finger or hand in any gaps on the key cover or instrument.
- Never insert or drop paper, metallic, or other objects into the gaps on the key cover, panel or keyboard. If this happens, turn off the power immediately and unplug the power cord from the AC outlet. Then have the instrument inspected by qualified Yamaha service personnel.
- Do not place vinyl, plastic or rubber objects on the instrument, since this might discolor the panel or keyboard.
- In the case of a model with a polished finish, bumping the surface of the instrument with metal, porcelain, or other hard objects can cause the finish to crack or peel. Use caution.
- Do not rest your weight on, or place heavy objects on the instrument, and do not use excessive force on the buttons, switches or connectors.
- Do not use the instrument/device or headphones for a long period of time at a high or uncomfortable volume level, since this can cause permanent hearing loss. If you experience any hearing loss or ringing in the ears, consult a physician.

Using the bench (If included)

- Do not place the bench in an unstable position where it might accidentally fall over.
- Do not play carelessly with or stand on the bench. Using it as a tool or step-ladder or for any other purpose might result in accident or injury.
- Only one person should sit on the bench at a time, in order to prevent the possibility of accident or injury.
- If the bench screws become loose due to extensive long-term use, tighten them periodically using the included tool.

Saving data

Saving and backing up your data

- Some data will be saved to internal memory of the H11 (page 44). The data is maintained even when the power is turned off. For maximum data security Yamaha recommends that you save your important data to the USB flash memory. This provides a convenient backup if the internal memory is damaged (page 45).

Backing up the USB storage device

- To protect against data loss through media damage, we recommend that you save your important data onto two USB storage devices.

Yamaha cannot be held responsible for damage caused by improper use or modifications to the instrument, or data that is lost or destroyed.

Always turn the power off when the instrument is not in use.

Thank you for purchasing the Yamaha Digital Piano H11! We recommend that you read this manual carefully so that you can fully take advantage of the advanced and convenient functions of the H11.

We also recommend that you keep this manual in a safe and handy place for future reference.

About this Owner's Manual

The documentation for this instrument includes: Owner's Manual (this document) and Quick Operation Guide.

Owner's Manual

■ Introduction (page 2):

Please read this section first.

■ Reference (page 17):

This section explains how to make detailed settings for the H11's various functions.

■ Appendix (page 58):

This section introduces reference material.

Quick Operation Guide

This explains the button/key assignments and how to use the panel controls.

- * The illustrations and instrument panel displays as shown in this manual are for instructional purposes only, and may appear somewhat different from those on your instrument.

This product incorporates and bundles computer programs and contents in which Yamaha owns copyrights or with respect to which it has license to use others' copyrights. Such copyrighted materials include, without limitation, all computer software, style files, MIDI files, WAVE data, musical scores and sound recordings. Any unauthorized use of such programs and contents outside of personal use is not permitted under relevant laws. Any violation of copyright has legal consequences. **DON'T MAKE, DISTRIBUTE OR USE ILLEGAL COPIES.**

This device is capable of using various types/formats of music data by optimizing them to the proper format music data for use with the device in advance. As a result, this device may not play them back precisely as their producers or composers originally intended.

Copying of the commercially available musical data including but not limited to MIDI data and/or audio data is strictly prohibited except for your personal use.

Logos



"XG" greatly expands "GM System Level 1" by defining the ways in which voices are expanded or edited and the structure and type of effects.



"GM System Level 2" is a standard specification that enhances the original "GM System Level 1" and improves song data compatibility. It provides for increased polyphony, greater voice selection, expanded voice parameters, and integrated effect processing. Tone generators and song data that meet the "GM System Level 2" specifications bear this GM2 logo.



GS was developed by the Roland Corporation. In the same way as Yamaha XG, GS is a major enhancement of the GM specifically to provide more Voices and Drum kits and their variations, as well as greater expressive control over Voices and effects.

AVE-TCP™ AVE-TCP™, a TCP/IP protocol stack by ACCESS Co., Ltd., is installed in this product.
Copyright© 1986–2008 ACCESS CO., LTD.

AVE-SSL AVE™-SSL, an encryption module technology by ACCESS Co., Ltd., is installed in this product.
Copyright© 1986–2008 ACCESS CO., LTD.

ACCESS™

Trademarks:

- Windows is a registered trademark of Microsoft® Corporation in the United States and other countries.
- The company names and product names in this manual are the trademarks or registered trademarks of their respective companies.

Accessories

- **Owner's Manual**

This manual contains complete instructions for operating your H11.

- **Quick Operation Guide**

- **Bench**

- **AC Power Cord**

- **My Yamaha Product User Registration**

The PRODUCT ID on the sheet will be needed when you fill out the User Registration form.

■ **Tuning**

Unlike an acoustic piano, the instrument does not need to be tuned. It always stays perfectly in tune.

■ **Transporting**

If you move to another location, you can transport the instrument along with your other belongings. You can move the unit as it is (assembled) or you can disassemble the unit.

Transport the keyboard horizontally. Do not lean it up against a wall or stand it up on its side. Do not subject the instrument to excessive vibration or shock. When transporting the assembled instrument, make sure all screws are properly tightened and have not been loosened by moving the instrument.

Main Features

Stylish and sophisticated digital piano

The instrument combines true piano sound in a modern, attractive cabinet that evokes the beauty of a real acoustic grand piano—adding sophistication and musical expressiveness to your living space.

NW (Natural Wood) with synthetic ivory keytops

This type of keyboard features the feel of real ivory. The special Natural Wood keyboard also uses real-wood white keys. The key surface is soft and slightly porous, giving the keys added grip and a natural friction that lets you play easily. The authentic touch and feel of the keys goes far beyond existing electronic keyboards, it makes you feel as if you're playing a real grand piano. This specially crafted keyboard lets you use techniques only possible on grand pianos, such as playing the same note successively and having the sounds blend smoothly even without use of the damper pedal, or playing the same key quickly and having perfect articulation without the sound cutting off unnaturally.

Moving Key

The H11 features an impressive moving keyboard—with the Moving Key function. Whatever songs you play back on the instrument, including the included 50 piano preset songs (Classic & Jazz), songs saved to USB flash memory, or songs from the Internet using the streaming service, you can enjoy the performance visually as well as aurally. This makes the H11 a wonderful instrument to have at home, as well as an eye-catching, ear-catching instrument for a restaurant, store or any public space.

AWM Dynamic Stereo Sampling

The H11 offers unmatched sonic realism as well as Yamaha's original AWM Dynamic Stereo Sampling tone-generation technology for rich, authentic voices. The GRAND PIANO 1 and 2 voices are completely constructed from samples painstakingly recorded from a full concert grand piano. The Grand Piano 1 voice features three velocity-switched samples (Dynamic Sampling), special "Sustain Sampling" that samples the unique resonance of an acoustic grand piano's soundboard and strings when the damper pedal is pressed, and "Keyoff Samples" that add the subtle sound produced when the keys are released. These sophisticated features and advanced technologies ensure that the instrument sounds and plays virtually the same as an actual acoustic piano.

Internet Direct Connection (IDC)

Yamaha provides a special streaming service on its website that enables you to automatically play back a wide variety of songs (song data) in various musical genres as background music directly on your instrument.

Table of Contents

Introduction

SPECIAL MESSAGE SECTION	2
About this Owner's Manual	6
Accessories	7
Main Features	8
Table of Contents	9
Panel Controls and Terminals	10
Note Name	12
Accessing Various Background Music (BGM) Functions	13
Before Using the H11	14
Opening the key cover and lid.....	14
Closing the key cover and lid.....	14
Connecting the Power Cord.....	15
Turning the Power On.....	15
Setting the Volume.....	15
Using Headphones (option).....	16
Using Music Rest (option)	16
Checking the version number	16

Reference

Listening to the 50 Piano Preset Songs (Classic & Jazz)	17
Enjoying the Moving Key Feature.....	19
Listening to songs in USB Flash Memory	20
Precautions when using the USB [TO DEVICE] terminal	22
Handling the floppy disk drive (FDD) and floppy disks	23
Formatting USB storage media	24
Listening to the Songs on Internet	25
Song Auto Revoice	26
Selecting & Playing Voices	27
Selecting Voices.....	27
Using the Pedals	28
Combining Two Voices (Dual mode).....	29

Saving the Voice Settings.....	30
Selecting various digital reverb effects (REVERB).....	31
Transposition – [TRANSCOPE]	31
Fine Tuning of the Pitch.....	32
Touch Sensitivity – [TOUCH].....	32

Internet Direct Connection (IDC)..... 33

Setting Up the Instrument to the Internet Connection	33
Connecting the Instrument to the Internet	35
About the Internet Settings.....	36
Checking the field strength (when using a USB wireless LAN adaptor) ..	38
Exporting the Connection Information	39
Initializing Internet Settings.....	40
Internet Initial Settings.....	40
Glossary of Internet Terms	41

Connections 43

Connectors.....	43
-----------------	----

Data Backup 44

Backup Data in Internal Memory.....	44
Initializing the backup data in Internal Memory	44
Backing Up Data to USB Flash Memory	45
Restoring the Backup Data.....	46

Message List 47

Troubleshooting..... 48

Keyboard Stand Assembly 49

50 Piano Preset Songs (Classic & Jazz) List..... 53

Index..... 55

Appendix

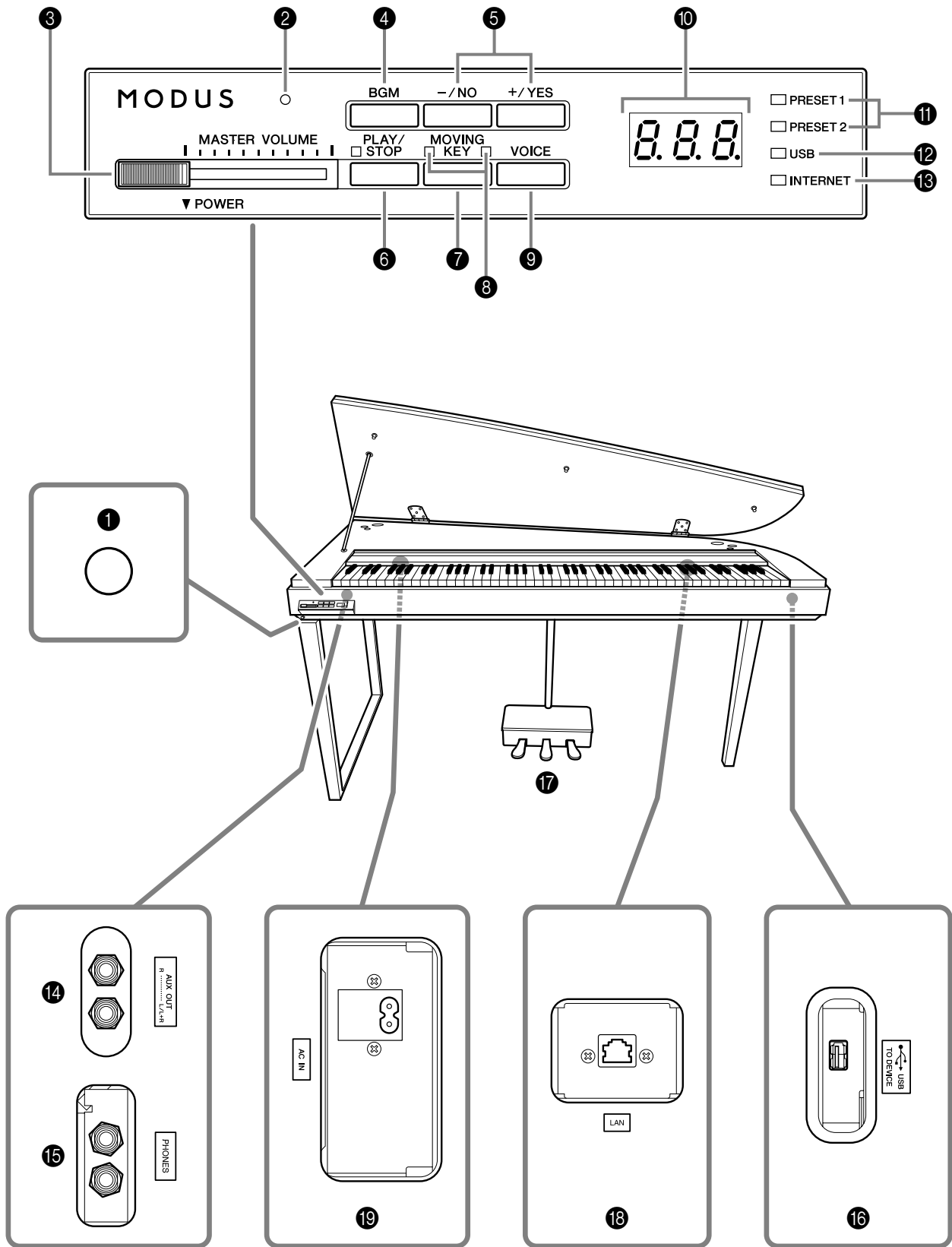
Normal Setting List

Optional Equipment.....

Specifications

Panel Controls and Terminals

ENGLISH



Bottom panel

The jacks and terminals on the underside of the instrument as shown here may seem to be in reverse from your perspective in front of the instrument. Make sure when using these to carefully check the names as printed on the panel before making connections.

- ❶ [POWER] switchp. 15
Turns the power on/off.
- ❷ Power indicatorp. 15
Lights up when the power is on.
- ❸ [MASTER VOLUME] controlp. 15
Adjusts the volume level.
- ❹ [BGM] buttonp. 17, 20, 25
Switches the BGM mode on and off for [PRESET 1]/[PRESET 2]/[USB]/[INTERNET]. For more information, refer to page 13.
- ❺ [-/NO]/[+/YES] button
For selecting a voice or a song, or setting values.
- ❻ [PLAY/STOP] buttonp. 18, 21, 26
For starting/stopping song playback of the 50 piano preset songs (Classic & Jazz), songs in USB flash memory, or songs on from the Internet using the streaming service.
- ❼ [MOVING KEY] buttonp. 19
Enables the Moving Key feature, which automatically moves the keys in response to song playback—including that of the 50 piano preset songs, songs in USB flash memory, and songs from the Internet using the streaming service.
- ❽ [MOVING KEY] status lampp. 19
Lights up in red if an error occurs while using the Moving Key feature; lights up in white while the Moving Key feature is on.
- ❾ [VOICE] buttonp. 27
For selecting voices from 10 internal sounds including Grand Piano 1 and 2 (page 27). You can also combine two voices (page 29) or add reverb effects to the selected voice for your keyboard performance (page 31).
- ❿ Displayp. 11
For showing various messages and certain settings of the instrument. This may be unavailable, depending on the status.

⚠ CAUTION

Do not turn off the power to the instrument while flashing dashes appear in the display (indicating the operation is in process). Doing so may damage the data.

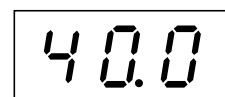
- ⓫ [PRESET 1]/[PRESET 2] lampp. 17
When this is lit, you can listen to the 50 piano preset songs (Classic & Jazz).
- ⓬ [USB] lampp. 20
When this is lit, you can listen to songs contained in USB flash memory. Flashes while loading data from USB Flash memory.
- ⚠ CAUTION**
Do not remove the USB flash memory from the instrument while flashing. Doing so may damage the data.
- ⓭ [INTERNET] lampp. 25
When this is lit, you can listen to songs on the Internet. Flashes while accessing to the Internet.
- ⓮ AUX OUT [L/L+R][R] jacks.....p. 43
For connecting recording equipment (such as a cassette tape recorder), allowing you to record your performance.
- ⓯ [PHONES] jacksp. 16
A set of standard stereo headphones can be plugged in here for private practice.
- ⓰ USB [TO DEVICE] terminal.....p. 43
For connecting to a USB flash memory device, allowing you to play back songs contained on the device.
- ⓱ Pedalsp. 28
For producing a range of expressive effects similar to those produced by the pedals on an acoustic piano.
- ⓲ [LAN] port.....p. 33, 43
By directly connecting the H11 to the Internet, you can use the special streaming service on the Yamaha website that enables you to automatically play back a wide variety of songs (song data) in various musical genres as background music directly on your instrument.
- ⓳ [AC IN] connectorp. 15
For connection of the power cord.

Display

- Check the operation on the display of the top panel as you use the instrument.
- The display indicates different values, as shown below, depending on the operation.

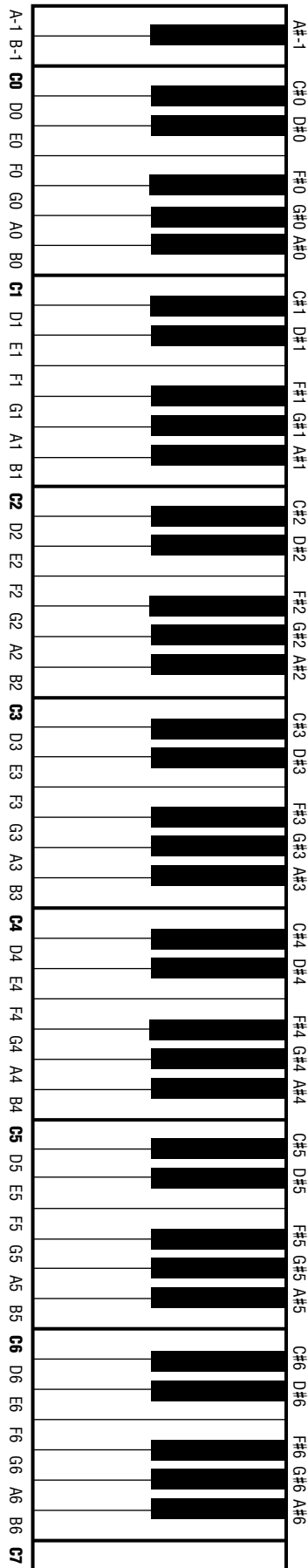


One of the song numbers from “50 Piano Preset Songs (Classic & Jazz)”



Parameter value

Note Name



Accessing Various Background Music (BGM) Functions

A variety of functions can be called up (as listed below) by switching the **[BGM]** button on/off.

BGM

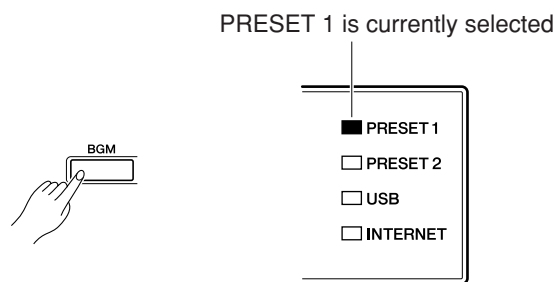
Consists of the following:

[PRESET 1]/[PRESET 2]..... Listening to the 50 Piano Preset Songs (Classic & Jazz) (page 17)

[USB]..... Listening to songs in USB flash memory (page 20)

[INTERNET]..... Listening to the songs on the internet using the streaming service (page 25)

Repeatedly press the **[BGM]** button to sequentially select **[PRESET 1]** → **[PRESET 2]** → **[USB]** → **[INTERNET]** → **OFF** → **[PRESET 1]** → etc., and the corresponding lamp lights.



BGM OFF

Pressing the **[BGM]** button turns off the **[PRESET 1]/[PRESET 2]/[USB]/[INTERNET]** lamps.
Selecting & Playing Voices (Playing) (page 27)

MOVING KEY ON/OFF

The Moving Key feature on the H11 makes it possible for the keys of the keyboard to move automatically in response to song playback. For more information, refer to page 19.

Before Using the H11

Opening the key cover and lid

1. Lift open the key cover and fold it backward.

CAUTION

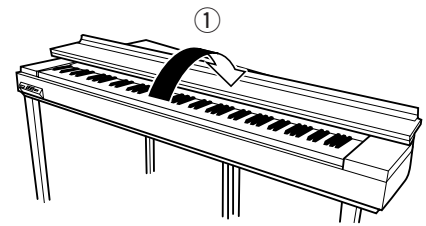
Hold the cover with both hands when opening or closing it.

CAUTION

Do not release the cover until it is fully folded back or closed.

CAUTION

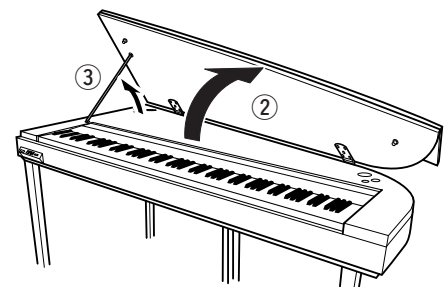
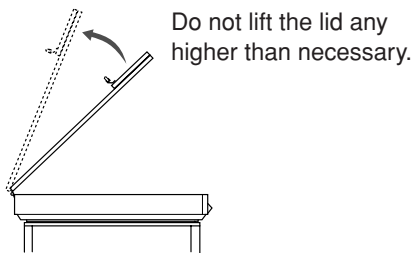
Be careful to avoid catching your fingers (yours or others, especially children's) when opening the cover.



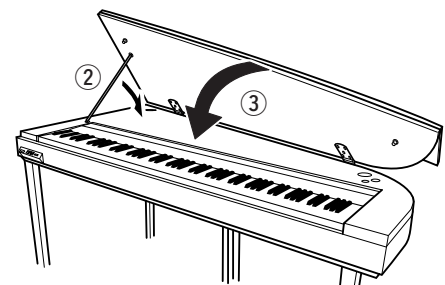
2. Raise and hold the lid up as shown.

CAUTION

Raising the lid past the normal height can result in damage to the instrument.



3. Raise the lid stay and carefully lower the lid so that the end of the stay fits into the recess in the lid and holds it in place.

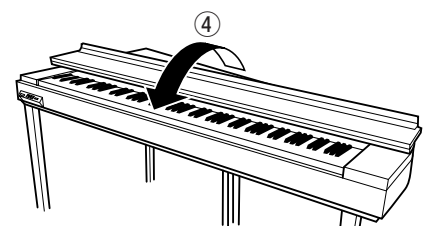


Closing the key cover and lid

1. Hold the lid stay and carefully raise the lid.
2. Hold the lid in its raised position and lower the lid stay.
3. Carefully lower the lid.
4. Close the key cover.

CAUTION

Be careful to avoid catching your fingers (yours or others, especially children's) when opening the cover.



Connecting the Power Cord

Carefully read the following instructions and warnings before connecting the power cord.

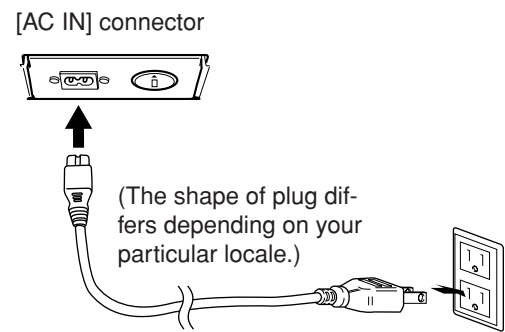
1. Connect the supplied power cord to the **[AC IN]** connector on the instrument's bottom panel. For an illustration of the location of the **[AC IN]** connector, see "Panel Controls and Terminals" (page 10).
2. Connect the other end of the power cord to an AC outlet. Make sure your H11 meets the voltage requirement for the country or region in which it is being used. In some areas, a plug adaptor may be provided to match the pin configuration of the AC wall outlets in your area.

! WARNING

Make sure your H11 is rated for the AC voltage supplied in the area in which it is to be used (as listed on the bottom panel). Connecting the unit to the wrong AC supply can cause serious damage to the internal circuitry and may even pose a shock hazard!

! WARNING

Use only the AC power cord supplied with the H11. If the supplied cord is lost or damaged and needs to be replaced, contact your Yamaha dealer. The use of an inappropriate replacement can pose a fire and shock hazard!



Turning the Power On

Press the **[POWER]** switch.

- ➞ The power indicator located above the **[MASTER VOLUME]** control lights up.

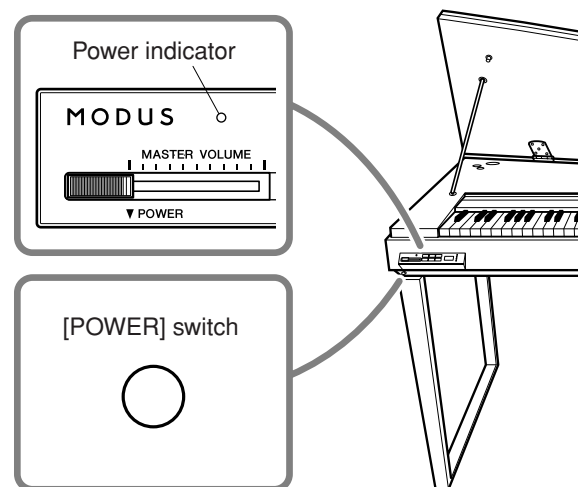
To turn off the power, press the **[POWER]** switch again.

! CAUTION

Never interrupt the power supply while the instrument is loading data from a USB flash memory! Doing so can result in loss of data.

! CAUTION

Even when the instrument is turned off, electricity is still flowing to the instrument at the minimum level. When you are not using the instrument for a long time or during electrical storms, make sure you unplug the AC power plug from the wall AC outlet.



Setting the Volume

Initially set the **[MASTER VOLUME]** control about halfway between the "MIN" and "MAX" settings. Then, when you start playing, re-adjust the **[MASTER VOLUME]** control to the most comfortable listening level.

! CAUTION

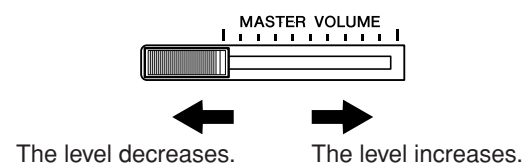
Do not use the instrument at a high volume level for a long period of time, or your hearing may be damaged.

TERMINOLOGY

VOLUME: The volume level of the entire keyboard sound.

TIP

You can also adjust the **[PHONES]** output level using the **[MASTER VOLUME]** control.



Using Headphones (option)

Connect a pair of headphones to one of the **[PHONES]** jacks.

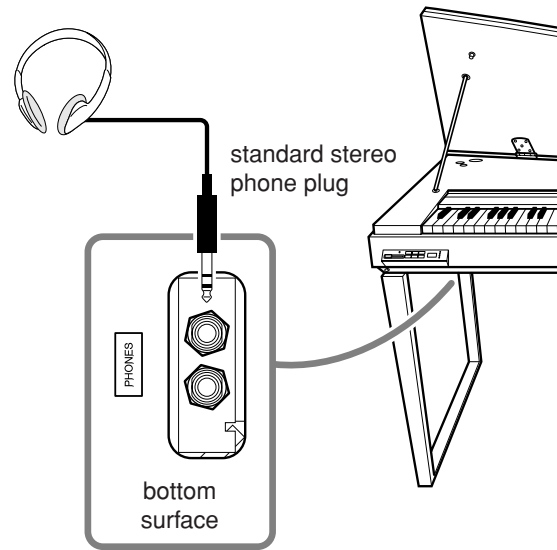
Two **[PHONES]** jacks are provided.

You can connect two sets of standard stereo headphones. (If you are using only one pair of headphones, you can plug them into either jack.)

CAUTION

Do not use headphones at a high volume for an extended period of time.

Doing so may cause hearing loss.

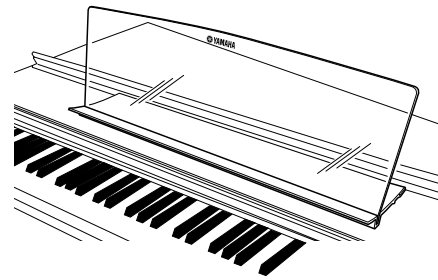


Using Music Rest (option)

For information on installing the music rest, refer to the owner's manual for the music rest.

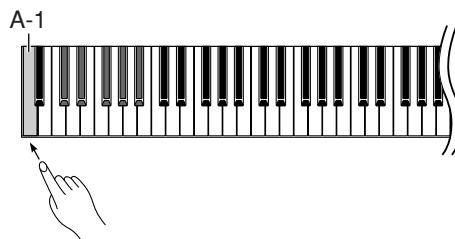
Optional music rest:

YAMAHA YMR-01



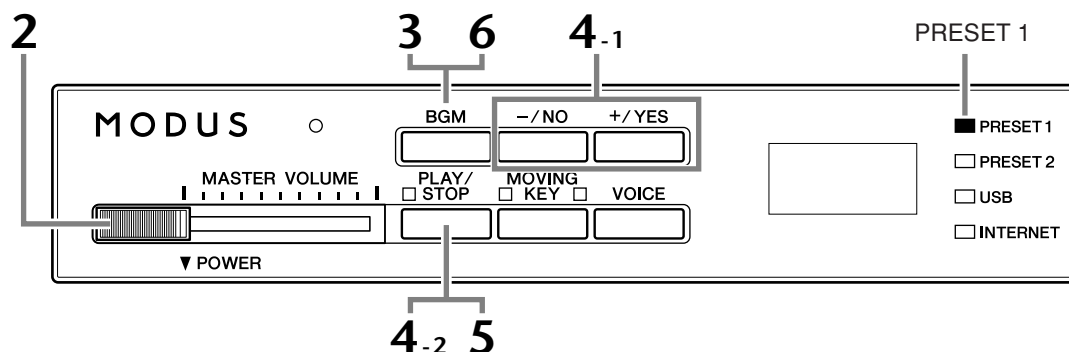
Checking the version number

You can check the version number of this instrument by simultaneously holding down the **[MOVING KEY]** button and pressing A-1 on the keyboard (also see Quick Operation Guide). Press the **[-/NO]** or **[+/YES]** button to return to the original display.



Listening to the 50 Piano Preset Songs (Classic & Jazz)

The instrument features fifty built-in piano preset songs, including both classic pieces and jazz standards.

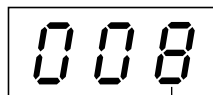


Operation

- 1 Turn the power on.**
 Press the [POWER] switch to turn the power on.
- 2 Adjust the volume.**
 Initially set the [MASTER VOLUME] control about half way between the “MIN” and “MAX” settings. Then, when you start playing, re-adjust the [MASTER VOLUME] control to the most comfortable listening level.
- 3 Turn on the [PRESET 1] or [PRESET 2] lamp.**
 Press the [BGM] button to turn on the [PRESET 1] or [PRESET 2] lamp. Preset 1 contains a variety of well-known classical music pieces while Preset 2 contains many popular jazz standards. For a list of all 50 piano preset songs, see page 53.
- 4 Play any of the 50 piano preset songs.**
 - 4-1** Press the [-/NO] or [+ /YES] button to select the number of the song you want to play.

rnd:	Play all preset songs continuously in random order.
ALL:	Play all preset songs in sequence.
Sxx:	Play all preset songs in each scene (special sub categories within Classic or Jazz).
 - 1 - 30 (PRESET 1):** Select a preset song number and play only the selected song.

31 - 50 (PRESET 2): Select a preset song number and play only the selected song.



Song number

TERMINOLOGY

On the H11, performance data is called a “Song”. This includes 50 piano preset songs (Classic & Jazz).

TERMINOLOGY

Random order:

The 50 Piano Preset Songs (Classic & Jazz) are selected and played back randomly by the instrument—similar to the shuffling of a deck of cards—when pressing the [PLAY/STOP] button.

Scene:

The 50 Piano Preset Songs (Classic & Jazz) have been divided into twenty three groups or categories, to match a variety of listening preferences and to let you select your favorite songs based on a scene description. For instance, if you want to listen to some “Elegant” songs, select scene number 4. The songs that match that category will play sequentially. For a list of the 50 piano preset songs (Classic & Jazz), see page 53.

Scene Titles:

Classic

- | | | |
|--------------|----------------------------------|-------------------------|
| - Home Party | - Nighttime | - Pre-romantic (Chopin) |
| - Morning | - Melancholy | - Post-romantic |
| - Upbeat | - Mood Music | - Modern French |
| - Elegant | - Fantasy | |
| - Relaxing | - Baroque and Pre-romantic Music | |

Jazz

- | | | |
|--------------|------------|--------------|
| - Home Party | - Midnight | - Innocent |
| - Daytime | - Elegant | - Mood Music |
| - Afternoon | - Upbeat | |
| - Evening | - Ballad | |

- 4-2** Press the [PLAY/STOP] button to start playback. On the H11, the keys of the keyboard move automatically in response to song playback (Moving Key). For more information, refer to page 19.

Adjust the Volume

Use the [MASTER VOLUME] control to adjust the volume.

5 Stop playback.

Press the [PLAY/STOP] button.

6 Turn the [PRESET 1] or [PRESET 2] lamp off.

Turn the [PRESET 1] or [PRESET 2] lamp off by pressing the [BGM] button.

TIP

Feel free to play the keyboard along with the preset song. You can also change the voice playing on the keyboard.

TIP

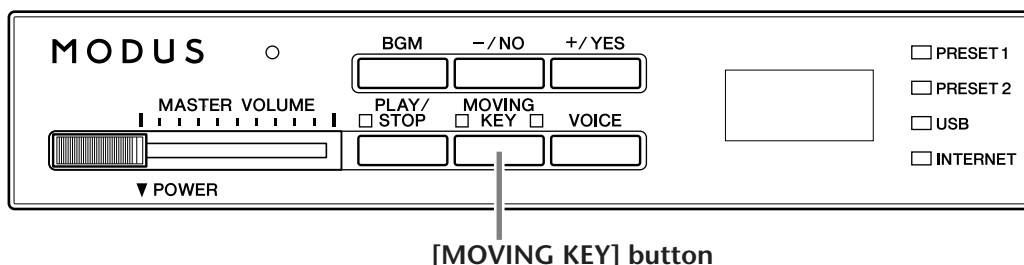
You can adjust the Reverb Type (page 31) that is applied to the voice you play on the keyboard and for preset song playback. The Touch sensitivity (page 32) for the keyboard voice can also be adjusted to your liking.

NOTE

When you select a different song (or a different song is selected during chained playback), an appropriate Reverb Type will be selected accordingly.

Enjoying the Moving Key Feature

The H11 has a Moving Key feature in which the keys of the keyboard move automatically in response to song playback—including the included 50 piano preset songs (Classic & Jazz), songs saved to USB flash memory, and songs from the Internet using the streaming service. This makes the instrument a true pleasure to see as well as hear. For more information on the relationship between the Moving Key and the background music (BGM) mode, see page 13.



Operation

1 Turn on the Moving Key function.

Press the **[MOVING KEY]** button so that its indicator lights.

Keep in mind that the Moving Key feature applies only to the keys of the keyboard; the pedals do not move automatically even if the **[MOVING KEY]** button is turned on and song playback is started.

TIP Normal setting: ON

TERMINOLOGY Normal setting:

The phrase “Normal setting” refers to the default setting (factory setting) that is active when you first turn on the power to the instrument.

2 Start playback.

Play back the desired songs. You can use Moving Key with the 50 piano preset songs (page 17), songs in USB flash memory (page 20), or songs on the Internet using the streaming service (page 25).

The **[MOVING KEY]** status lamp (next to the button) lights in red, if an error occurs while using Moving Key. For more information, refer to “Message List” on page 47.

3 Stop playback.

Stop song playback of the 50 piano preset songs (page 17), songs in USB flash memory (page 20), or songs on the Internet using the streaming service (page 25).

4 Turn off the Moving Key function.

Press the **[MOVING KEY]** button again so that its indicator goes out.

Selecting the Part (Channel) for Moving Key

Depending on the particular song data, the song you're playing may have several parts. Under the normal setting (Auto), the instrument automatically chooses the best part for Moving Key playing, based on the particular song data. If you want to change this part, manually select the channel for the desired part. Press one of the C4-F5 keys while holding the **[MOVING KEY]** button (also see Quick Operation Guide). The current part setting appears on the display while both controls are held.

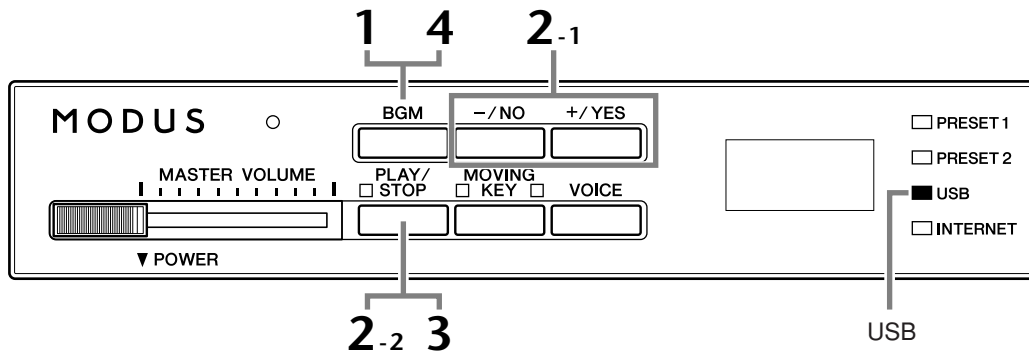
C4-D#5	Keyboard part (channel) 1–16 and ON/OFF status “0” (ON) or “–” (OFF) appears on the display. Status can be set for each Part. Hold down [MOVING KEY] button and repeatedly press the key to toggle ON/OFF.
E5	Even if the song changes, the current part is maintained. The part is not selected automatically. “OFF” appears on the display.
F5	The best part for each song is selected automatically (Normal setting). “ON” appears on the display.

Listening to songs in USB Flash Memory

You can conveniently connect a USB flash memory device to the instrument and listen to songs recorded to that device (on a computer). Before using a USB flash memory device, be sure to read “Precautions when using the USB [TO DEVICE] terminal” on page 22.

⚠ CAUTION

While playing a USB song or while the [USB] lamp flashes, DO NOT pull out the USB flash memory or turn the power off. Doing so can result in a loss of data.



Character Code

If the song cannot be loaded, you may need to change the character code setting.

International

Files with file names having the following characters can be loaded. (files with names in Japanese cannot be loaded).

- Half-size characters: alphabet, numbers, marks, umlaut

Turn the power on while holding the A-1 and B-1 keys.

Japanese

Files with file names having the following characters can be loaded.

- Half-size characters: alphabet, numbers, marks, katakana
- Full-size characters: kanji, hiragana, katakana, alphabet

Turn the power on while holding the A-1 and A#-1 keys.

TIP

Normal setting: International

TERMINOLOGY

Normal setting:

The phrase “Normal setting” refers to the default setting (factory setting) that is active when you first turn on the power to the instrument.

NOTE

Certain songs may take more time than others to start playback. Keep in mind that this also affects the time between playback of successively played songs.

Operation

1 Turn on the [USB] lamp.

Make sure that the USB flash memory is connected to the instrument, then turn on the [USB] lamp by pressing the [BGM] button.

2 Play any of the USB songs.

2-1 Press the [-/NO] or [+ /YES] button to select the number of the song you want to play.

rnd: Play all USB songs continuously in random order.

ALL: Play all USB songs in sequence.

001-600: Select the number of the desired USB song, that which you’ve saved by using a computer and play the song. The total number of available USB songs is 600.



Song number

2-2 Press the [PLAY/STOP] button to start playback.

Adjust the Volume

Use the [MASTER VOLUME] control to adjust the volume.

3 Stop playback.

Press the [PLAY/STOP] button.

4 Turn the [USB] lamp off.

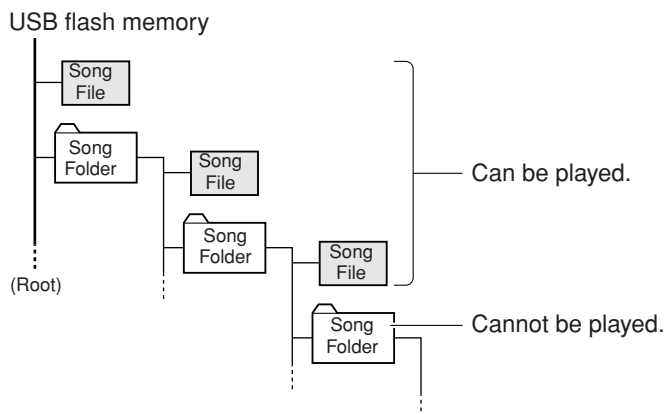
Turn the [USB] lamp off by pressing the [BGM] button.

Data format

This instrument can play back SMF Format 0 and Format 1 (Standard MIDI file) and DOC (Disk Orchestra Collection) song data. When copying song data from computer to USB flash memory, make sure to save it by using SMF Format 0 and Format 1. Keep in mind that songs recorded on other devices may use a variety of voices not available on this instrument and hence may sound different than the original songs.

IMPORTANT

When playing songs copied to a USB flash memory device from a computer or other device, the songs must be stored either in the USB flash memory's root directory or a first-level/second-level folder in the root directory. Songs stored in these locations can be played as song data. Songs stored in third-level folders created inside a second-level folder cannot be played by this instrument.



Commercially Available Song Data

Song data purchased by using a computer and commercially available Disk Songs are available when you connect the floppy disk drive to the instrument. The instrument is compatible with the Song disks (floppy disks) that bear the following marks:



TIP

The instrument has a convenient Song Auto Revoice function. Refer to page 26.

TIP

Normal setting:

ON (using the specially created Piano Voice of the instrument)

To switch the specially created Piano Voice of the instrument to the conventional XG Piano Voices of the same type, turn the function OFF.

TIP

Feel free to play the keyboard along with the USB song. You can also change the voice playing on the keyboard.

TIP

You can adjust the Reverb Type (page 31) that is applied to the voice you play on the keyboard and for USB song playback. The Touch sensitivity (page 32) for the keyboard voice can also be adjusted to your liking.

NOTE

When you select a different song (or a different song is selected during chained playback), an appropriate Reverb Type will be selected accordingly.

TERMINOLOGY

What is SMF (Standard MIDI File)?

The SMF (Standard MIDI File) format is one of the most common and widely compatible sequence formats used for storing sequence data. There are two variations: Format 0 and Format 1. A large number of MIDI devices are compatible with SMF Format 0, and most commercially available MIDI sequence data is provided in SMF Format 0.

NOTE

Before using a USB storage device, be sure to read "Precautions when using the USB [TO DEVICE] terminal" on page 22.

NOTE

Before using a floppy disk and the disk slot, be sure to read "Handling the Floppy Disk Drive FDD) and Floppy Disks" on page 23.

NOTE

Commercially available music data is subject to protection by copyright laws. Copying commercially available data is strictly prohibited, except for your own personal use.

Precautions when using the USB [TO DEVICE] terminal

This instrument features a built-in **USB [TO DEVICE]** terminal. When connecting a USB device to the terminal, be sure to handle the USB device with care. Follow the important precautions below.

NOTE For more information about the handling of USB devices, refer to the owner's manual of the USB device.

■ Compatible USB devices

- USB storage devices (flash memory, floppy disk drive, hard disk drive, etc.)
- USB hub

The instrument does not necessarily support all commercially available USB devices. Yamaha cannot guarantee operation of USB devices that you purchase. Before purchasing a USB device for use with this instrument, please visit the following web page:

<http://music.yamaha.com/download/>

NOTE Other USB devices such as a computer keyboard or mouse cannot be used.

■ Connecting USB device

- When connecting a USB device to the **USB [TO DEVICE]** terminal, make sure that the connector on the device is appropriate and that it is connected in the proper direction.
- If you intend to connect two or three devices at the same time to a terminal, you should use a USB hub device. The USB hub must be self-powered (with its own power source) and the power must be on. Only one USB hub can be used. If an error message appears while using the USB hub, disconnect the hub from the instrument, then turn on the power of the instrument and re-connect the USB hub.
- Though the instrument supports the USB 1.1 standard, you can connect and use a USB 2.0 storage device with the instrument. However, note that the transfer speed is that of USB 1.1.

■ Using USB Storage Devices

- By connecting the instrument to a USB storage device, you can read data from the connected device.

NOTE Although CD-R/RW drives can be used to read data to the instrument, they cannot be used for saving data.

■ The number of USB storage device to be used

Up to one USB storage devices can be connected to the **USB [TO DEVICE]** terminal.

■ Formatting USB storage media

When a USB storage device is connected or media is inserted, a message may appear prompting you to format the device/media. If so, execute the Format operation (page 24).

CAUTION

The format operation overwrites any previously existing data. Make sure that the media you are formatting does not contain important data. Proceed with caution, especially when connecting multiple USB storage media.

■ To protect your data (write-protect)

To prevent important data from being inadvertently erased, apply the write-protect provided with each storage device or media. If you are saving data to the USB storage device, make sure to disable write-protect.

■ Connecting/removing USB storage device

Before removing the media from the device, make sure that the instrument is not accessing data (such as in the Save operations).

CAUTION

Avoid frequently turning the power on/off to the USB storage device, or connecting/disconnecting the device too often. Doing so may result in the operation of the instrument "freezing" or hanging up. While the instrument is accessing data (such as during Save operations), do NOT unplug the USB connector, do NOT remove the media from the device, and do NOT turn the power off to either device. Doing so may corrupt the data on either or both devices.

Handling the floppy disk drive (FDD) and floppy disks

Install the optional UD-FD01 floppy disk drive to use floppy disks with the instrument. It allows you to load data from floppy disk to the instrument.

Be sure to handle floppy disks and treat the disk drive with care. Follow the important precautions below.

■ Floppy disk compatibility

- 3.5" 2DD and 2HD type floppy disks can be used.

■ Formatting a floppy disk

- If you find that you are unable to use new, blank disks or old disks that have been used with other devices, you may need to format them. For details on how to format a disk, see page 24. Keep in mind that all data on the disk will be lost after formatting. Make sure to check beforehand whether or not the disk contains important data.

NOTE

Floppy disks formatted on this device may or may not be useable as is on other devices.

■ Inserting/removing Floppy Disks

Inserting a floppy disk into the disk drive

- Hold the disk so that the label of the disk is facing upward and the sliding shutter is facing forward, towards the disk slot. Carefully insert the disk into the slot, slowly pushing it all the way in until it clicks into place and the eject button pops out.

NOTE

Never insert anything but floppy disks into the disk drive. Other objects may cause damage to the disk drive or floppy disks.

Removing a floppy disk

- After checking that the instrument is not accessing* the floppy disk, firmly press the eject button at the upper right of the disk slot all the way in. When the floppy disk is ejected, pull it out of the drive. If the floppy disk cannot be removed because it is stuck, do not try to force it, but instead try pressing the eject button again, or try re-inserting the disk and attempt to eject it again.

* Access of the disk indicates an active operation, such as playback.

⚠ CAUTION

Do not remove the floppy disk or turn off the instrument itself while the disk is being accessed. Doing so may result not only in loss of data on the disk but also damage to the floppy disk drive.

- Be sure to remove the floppy disk from the disk drive before turning off the power. A floppy disk left in the drive for extended periods can easily pick up dust and dirt that can cause data-read and -write errors.

■ Cleaning the disk drive read/write head

- Clean the read/write head regularly. This instrument employs a precision magnetic read/write head which, after an extended period of use, will pick up a layer of magnetic particles from the disks used that will eventually cause read and write errors.
- To maintain the disk drive in optimum working order Yamaha recommends that you use a commercially-available dry-type head cleaning disk to clean the head about once a month. Ask your Yamaha dealer about the availability of proper headcleaning disks.

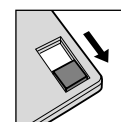
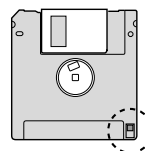
■ About floppy disks

Handle floppy disks with care, and follow these precautions:

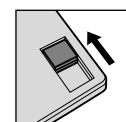
- Do not place heavy objects on a disk or bend or apply pressure to the disk in any way. Always keep floppy disks in their protective cases when they are not in use.
- Do not expose the disk to direct sunlight, extremely high or low temperatures, or excessive humidity, dust or liquids.
- Do not open the sliding shutter and touch the exposed surface of the floppy disk inside.
- Do not expose the disk to magnetic fields, such as those produced by televisions, speakers, motors, etc., since magnetic fields can partially or completely erase data on the disk, rendering it unreadable.
- Never use a floppy disk with a deformed shutter or housing.
- Do not attach anything other than the provided labels to a floppy disk. Also make sure that labels are attached in the proper location.

To protect your data (write-protect tab):

- To prevent accidental erasure of important data, slide the disk's write-protect tab to the "protect" position (tab open). When saving data, make sure that the disk's write-protect tab is set to the "overwrite" position (tab closed).



Write-protect tab
ON (locked or
write protected)



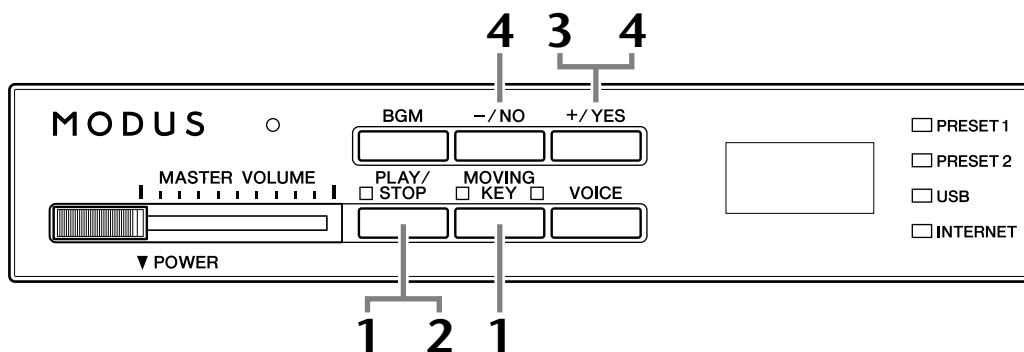
Write-protect tab
OFF (unlocked or
write enabled)

■ Data backup

- For maximum data security Yamaha recommends that you keep two copies of important data on separate floppy disks. This gives you a backup if one disk is lost or damaged.

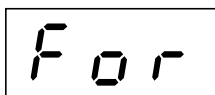
Formatting USB storage media

When a USB storage device is connected or media is inserted, a message may appear prompting you to format the device/media. If so, execute the Format operation.



1 Engage the format mode.

After making sure that the USB flash memory is connected to the instrument, press the [PLAY/STOP] button while holding down the [MOVING KEY] button.



2 Search USB storage media to be formatted.

Press the [PLAY/STOP] button to start the search. A “n-y” message will appear on the display if a USB flash memory device to be formatted is found. To cancel format, press [-/NO] button before pressing the [+ /YES] button in step 3.

3 Start the format.

Press the [+ /YES] button.

When the format operation is finished, an “End” message appears on the display.

4 Exit from format mode.

Press the [-/NO] or [+ /YES] button to exit from format mode.

CAUTION

The format operation overwrites any previously existing data. Make sure that the media you are formatting does not contain important data. Proceed with caution, especially when connecting multiple USB storage media.

NOTE

The initialize mode cannot be engaged while song playback is active in BGM mode.

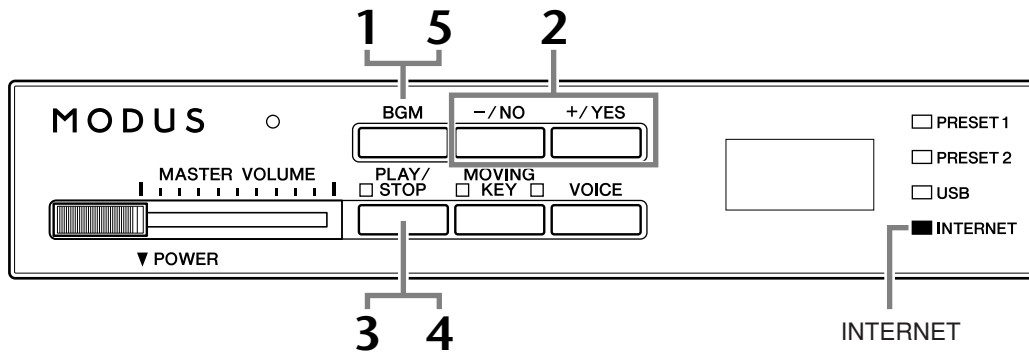
NOTE

If no media is found or initialization is failed, an “Err” message and the error code will appear alternately on the display.

Listening to the Songs on Internet

Yamaha provides a special website with a streaming data service that enables you to play back a range of songs (song data) in various musical genres as background music on your instrument.

Before connect the instrument to the Internet, be sure to read “Internet Direct Connection (IDC)” on page 33.



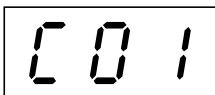
Operation

1 Turn on the [INTERNET] lamp.

Make sure that the instrument is connected to the Internet, then select the [INTERNET] lamp by pressing the [BGM] button (the [INTERNET] lamp flashes during Internet access).

2 Change the Channel.

Press the [-/NO] or [+ /YES] button to change the channel. The current channel setting appears on the display.



TERMINOLOGY

Streaming

Streaming lets you listen to the song data while it is being sent from the Internet. It allows you to call up the data repeatedly but it does not allow you to save the data to a file.

NOTE

The LED displays shown in this owner's manual are for instructional purposes only and may appear somewhat different from those on your instrument.

3 Start playback.

Press the [PLAY/STOP] button to start playback (the [INTERNET] lamp flashes during Internet access).

4 Stop playback.

Press the [PLAY/STOP] button.

5 Turn the [INTERNET] lamp off.

Turn the [INTERNET] lamp off by pressing the [BGM] button.

TIP

Feel free to play the keyboard along with the streaming song. You can also change the voice playing on the keyboard.

TIP

You can adjust the Reverb Type (page 31) that is applied to the voice you play on the keyboard as well as for the streaming song on Internet playback. The Touch sensitivity (page 32) for the keyboard voice can also be adjusted to your liking.

NOTE

When you select a different song (or a different song is selected during chained playback), an appropriate Reverb Type will be selected accordingly.

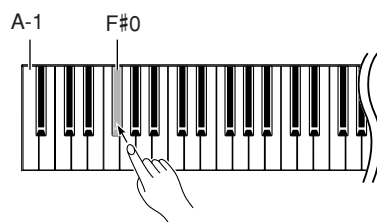
Song Auto Revoice

When you play back any commercially available XG song data or that created on other instruments, you can use Auto Revoice to automatically assign the specially created Piano Voice of the instrument instead of the conventional XG piano voices of the same type. If you want to keep the XG voice and disable this automatic reassignment, set Auto Revoice to off.

Operation

Press the F#0 key while holding the [BGM] button to switch the function on/off. When set to on, the instrument automatically replaces the conventional XG piano voice with the Piano Voice. When set to off, the XG voice is maintained.

The current ON/OFF setting appears on the display while both controls are held.



TIP

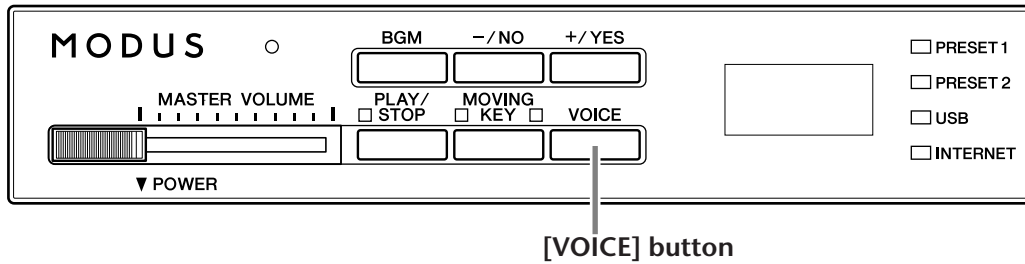
Normal setting:
ON (using the specially created Piano Voice of the instrument)
To switch the specially created Piano Voice of the instrument to the conventional XG Piano Voices of the same type, turn the function OFF.

NOTE

This setting will not affect the voice you play on the keyboard. The keyboard voice used is the specially created Piano Voice of the instrument.

Selecting & Playing Voices

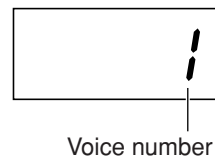
Selecting Voices



Operation

1 View the voice name.

When you press the **[VOICE]** button, the currently selected voice number will appear on the display for about three seconds.



2 Select a voice.

While the voice number is shown in the display, use the **[VOICE]** button to switch among the following ten voices.

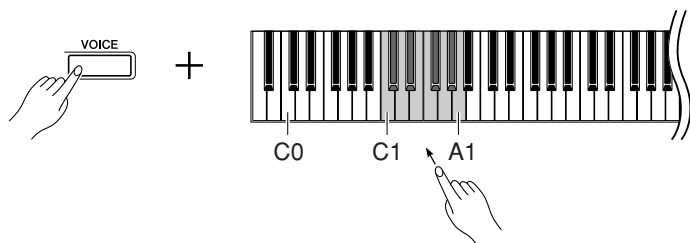
Preset Voice List

Voice No.	Key	Voice Name	Description
1	C1	Grand Piano 1	Recorded samples from a full concert grand piano. Also includes three levels of dynamic sampling, sustain samples, and key-off samples for exceptionally realistic acoustic grand piano sound. Perfect for classical compositions as well as any other style that requires acoustic piano.
2	C#1	Grand Piano 2	Spacious and clear piano with bright reverb. Good for popular music.
3	D1	Piano & Strings	A Dual voice combining grand piano and strings – perfect for slow, orchestral piano music.
4	D#1	E. Piano 1	An electronic piano sound created by FM synthesis. Exceptional musical response with varying timbre according to keyboard dynamics. Good for standard popular music.
5	E1	E. Piano 2	The sound of an electric piano using hammer-struck metallic tines. Soft tone when played lightly, and an aggressive tone when played hard.
6	F1	Church Organ	This is a typical pipe organ sound (8 feet + 4 feet + 2 feet). Good for sacred music from the Baroque period.
7	F#1	Jazz Organ	The sound of a tonewheel type electric organ. Often heard in jazz and rock idioms.
8	G1	Strings	Stereo-sampled, large-scale strings ensemble with realistic reverb. Try combining this voice with piano in the DUAL.
9	G#1	Harpichord	The definitive instrument for baroque music. Since harpsichord uses plucked strings, there is no touch response. There is, however, a characteristic additional sound when the keys are released.
10	A1	Vibraphone	Vibraphone played with relatively soft mallets. The tone becomes more metallic the harder you play.

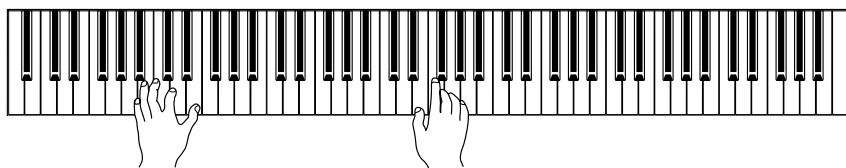
NOTE

The voice numbers of selected Voice 1 and Voice 2 will appear alternately on the display when Dual mode (page 29) is active.

You can also select the voice pressing one of the C1–A1 keys while holding down the [VOICE] button.



Then, when you start playing, re-adjust the [MASTER VOLUME] control for the most comfortable listening level.



NOTE

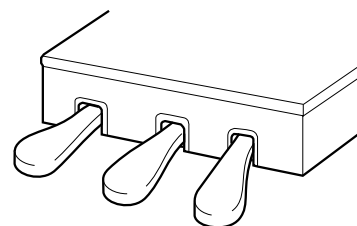
You can also select the voice using the [-/NO] or [+ /YES] buttons while holding down the [VOICE] button or when the BGM mode is off.

NOTE

You can control the loudness of a voice by adjusting the force with which you strike the keys, although different playing styles (touch sensitivities) have little or no effect with certain musical instruments. Refer to “Preset Voice List” on page 27.

Using the Pedals

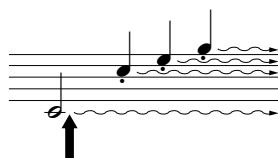
The instrument has three foot pedals that produce a range of expressive effects similar to those produced by the pedals on an acoustic piano.



Damper (Right) Pedal

The damper pedal functions in the same way as a damper pedal on an acoustic piano. When the damper pedal is pressed, notes sustain longer. Releasing the pedal immediately stops (damps) any sustained notes.

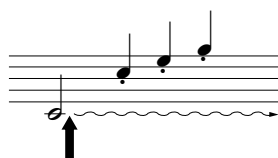
When you select the Grand Piano 1 voice on the H11, pressing the damper pedal activates the instrument’s special “Sustain Samples” to accurately recreate the unique resonance of an acoustic grand piano’s soundboard and strings.



When you press the damper pedal here, the notes you play before you release the pedal have a longer sustain.

Sostenuto (Center) Pedal

If you play a note or chord on the keyboard and press the sostenuto pedal while the note(s) are held, those notes will sustain as long as you hold the pedal (as if the damper pedal had been pressed) but all subsequently played notes will not be sustained. This makes it possible to sustain a chord, for example, while other notes are played “staccato.”



When you press the sostenuto pedal here while holding the note, the note will sustain as long as you hold the pedal.

Soft (Left) Pedal

The soft pedal reduces the volume and slightly changes the timbre of notes played while the pedal is pressed. The soft pedal will not affect notes that are already playing when it is pressed.

TIP

Organ and string voices will continue to sound for as long as the sostenuto pedal is depressed.

Combining Two Voices (Dual mode)

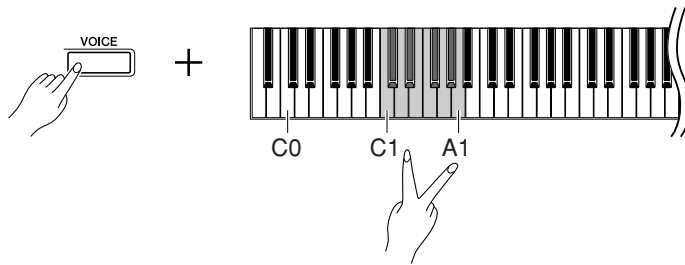
You can play two voices simultaneously across the entire range of the keyboard. In this way, you can simulate a melody duet or combine two similar voices to create a thicker sound.

Operation

1 Engage Dual mode.

While holding down the [VOICE] button, press two keys in the range of C1 through A1 simultaneously (or press one key while holding another) to engage Dual.

⇒ Refer to “Selecting Voices” on page 27 for more information on the voices that are assigned to the keys.



The voice assigned to the lower key will be designated as Voice 1, and the voice assigned to the higher key will be designated as Voice 2.

You can make the following settings for Voices 1 and 2 in Dual:

Dual Balance

You can set one voice as the main voice, and another voice as a softer, mixed voice. While holding down the [VOICE] button, press one of the F#5-F#6 keys (see Quick Operation Guide). The current balance setting appears on the display while both controls are held. A setting of “0” produces a balance default value between the two Dual mode voices. Settings below “0” increase the volume of Voice 2 in relation to Voice 1, and settings above “0” increase the volume of Voice 1 in relation to Voice 2.

Octave Shift

You can shift the pitch up and down in octave steps for Voice 1 and Voice 2 independently. Depending on which voices you combine in Dual mode, the combination may sound better if one of the voices is shifted up or down an octave. While holding down the [VOICE] button, press one of the A4-D5 keys (see Quick Operation Guide). The current Octave Shift setting appears on the display while both controls are held.

Voice 1	A4	-1
	A#4	0
	B4	+1

Voice 2	C5	-1
	C#5	0
	D5	+1

TERMINOLOGY

Mode:

A mode is an operating condition of the instrument that allows you to perform some special function. In the Dual mode, for example, you can play two voices simultaneously across the entire range of the keyboard.

TERMINOLOGY

Normal setting:

Balance will be decided according to the balance default value of the voice combination.

TIP

[REVERB] in Dual Mode

The Reverb Type (page 31) assigned to Voice 1 will take priority over the other. (If the reverb is set to OFF, Voice 2 Reverb Type will be in effect.)

TERMINOLOGY

Normal setting:

Octave will be decided according to the octave default value of the voice combination.

Voice 2 Reverb Depth

While holding down the [VOICE] button, press one of the A-1–G#0 keys (see Quick Operation Guide). The current Reverb Depth setting appears on the display while both controls are held.

2 Exit from the Dual mode.

Press the [–/NO] or [+ /YES] buttons while the BGM mode is off, or press the [VOICE] button while the voice number is shown in the display. In either case, the Grand Piano 1 voice will be selected.

TERMINOLOGY**Normal setting: G#0**

The Voice 2 Reverb Depth is determined according to the default Voice 2 Reverb Depth value for the voice.

NOTE

When you want to select the voice as soon as you exit from the Dual mode, press one of the C1–A1 keys while holding down the [VOICE] button (also see Quick Operation Guide).

You can also exit from Dual mode by pressing the [–/NO] or [+ /YES] buttons while holding down the [VOICE] button. In this case, the Grand Piano 1 voice will be selected.

Saving the Voice Settings

Some of the current voice settings can be saved in the internal memory of the instrument. The data is maintained even when the power is turned off.

Operation

Press the [PLAY/STOP] button while holding the [VOICE] button (see Quick Operation Guide). When saving is complete, an “End” message appears on the display for three seconds. The following settings can be saved:

- **Reverb Type and Depth**
- **Octave**
- **Volume**

To initialize the voice settings

Turn the power on while holding the [VOICE] and [PLAY/STOP] buttons.

NOTE

The voice settings will be lost if you change the voice without storing it.

Selecting various digital reverb effects (REVERB)

This control enables you to select various digital reverb effects for adding extra depth and expression to the sound, and creating a realistic acoustic ambience.

Operation

Selecting Reverb Type

Press one of the G#6-C7 keys while holding the [VOICE] button (see Quick Operation Guide). The current Reverb Type setting appears on the display while both controls are held.

Key	Reverb Type	Description
G#6	1 (ROOM)	This setting adds a continuous reverb effect to the sound, similar to the acoustic reverberation you would hear in a room.
A6	2 (HALL 1)	For a “bigger” reverb sound, use the HALL 1 setting. This effect simulates the natural reverberation of a small-size concert hall.
A#6	3 (HALL 2)	For a truly spacious reverb sound, use the HALL 2 setting. This effect simulates the natural reverberation of a large concert hall.
B6	4 (STAGE)	Simulates the reverb of a stage environment.
C7	OFF (OFF)	When no reverb effect is selected, no REVERB indicator is lit.

Even if the REVERB effect is OFF, a “Soundboard Reverb” effect will be applied when the **Grand Piano 1 or 2** voice is selected.

Adjusting Reverb Depth

Press one of the A2-F#4 keys while holding the [VOICE] button (see Quick Operation Guide). The current Reverb Depth setting appears on the display while both controls are held.

TIP

The default Reverb Type (including OFF) and depth settings are different for each voice.

TIP

depth 0: no effect
depth 20: maximum Reverb Depth

TIP

Default depth settings are different for each voice.

Transposition – [TRANPOSE]

This instrument’s Transpose function makes it possible to easily match the pitch of the keyboard in semitone intervals to the range of a singer or other instruments. For example, if you set the transposition amount to “5,” playing the C key produces a pitch of F. In this way, you can play a song as though it were in C major, and the H11 will automatically transpose it to the key of F.

Operation

Press one of the F#5-F#6 keys while holding the [BGM] button (see Quick Operation Guide). The current amount of transposition appears on the display while both controls are held.



Transposition

To transpose the pitch down (in semitone steps)

Press one of the F#5-B5 keys while holding the [BGM] button.

To transpose the pitch up (in semitone steps)

Press one of the C#6-F#6 keys while holding the [BGM] button.

To initialize the normal pitch

Press the C6 key while holding the [BGM] button.

TERMINOLOGY

Transpose:

Changing the key signature of a song. On the H11, transposing shifts the pitch of the entire keyboard.

TIP

The transposition range:

F#5: -6 semitones
C6: normal pitch
F#6: +6 semitones

TIP

Notes below and above the C-2 G8 range of the H11 sound one octave higher and lower, respectively.

Fine Tuning of the Pitch

You can fine tune the pitch of the entire instrument. This function is useful when you play the H11 along with other instruments or CD music.

Operation

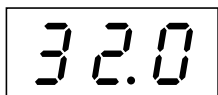
You can also use the keyboard to set the pitch.

To tune up (in about 0.2Hz steps)

Press the [+/**YES**] button while holding down the [**BGM**] and [**PLAY/STOP**] buttons. The current pitch setting appears on the display while the key combination is held.

Example:

432.0Hz



To tune down (in about 0.2Hz steps)

Press the [-/**NO**] button while holding down the [**BGM**] and [**PLAY/STOP**] buttons. The current pitch setting appears on the display while the key combination is held.

To initialize standard pitch

Press the [+/**YES**] and [-/**NO**] buttons simultaneously while holding down the [**BGM**] and [**PLAY/STOP**] buttons. The current pitch setting appears on the display while the key combination is held.

TERMINOLOGY

Hz (Hertz):

This unit of measurement refers to the frequency of a sound and represents the number of times a sound wave vibrates in a second.

TIP

Setting range:

414.8Hz - 466.8Hz

TIP

Normal setting:

A3=440.0 Hz

Touch Sensitivity – [TOUCH]

You can select four different types of keyboard touch sensitivity — HARD, MEDIUM, SOFT or FIXED — to match different playing styles and preferences.

Operation

Press one of the A6-A7 keys while holding the [**BGM**] button (see Quick Operation Guide).

The current touch type setting appears on the display while both controls are held.

Key	Touch Type	Description
A6	OFF (FIXED)	All notes are produced at the same volume no matter how hard the keyboard is played.
A#6	1 (SOFT)	Allows maximum loudness to be produced with relatively light key pressure.
B6	2 (MEDIUM)	Produces a fairly "standard" keyboard response.
C7	3 (HARD)	Requires that the keys be played quite hard to produce maximum loudness.

TIP

This setting does not change the weight of the keyboard.

TIP

Normal setting: MEDIUM

TIP

The touch sensitivity type will become the common setting for all voices. However, the touch sensitivity settings may have little or no effect with certain voices that are not normally responsive to keyboard dynamics.

Internet Direct Connection (IDC)

This feature lets you directly connect your instrument to the Internet. A streaming service in the special Yamaha website enables you to play back a range of songs (song data) in various musical genres as background music. You can enjoy not only listening to the songs by your ears but also seeing the automatic playing keyboard by your eyes.

Here in this section, you may come across some unfamiliar terms and phrases related to computers and online communications. To look up the meaning of these terms, refer to the “Glossary of Internet Terms” on page 41.

TERMINOLOGY

Streaming

Streaming lets you listen to the song data while it is being sent from the Internet. It allows you to call up the data repeatedly but it does not allow you to save the data to a file.

Setting Up the Instrument to the Internet Connection

You can connect the instrument to a full-time online connection (ADSL, optical fiber, cable Internet, etc.) via a router or a modem equipped with a router. For the latest services and the specific instructions on connecting (as well as information on compatible devices etc.), refer to the Yamaha website:

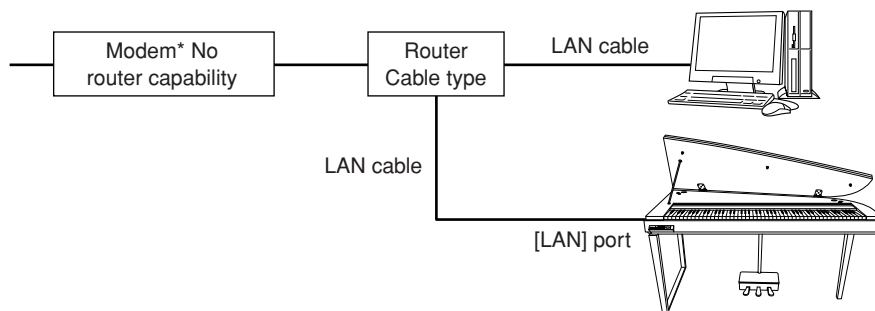
<http://music.yamaha.com/idc/>

Use a computer to connect to the Internet and get online before connecting the instrument, since no modem or router settings can be made from the instrument itself.

To use the Internet connection, you will first need to subscribe to an Internet service or provider.

Cord holders are supplied with the H11 to fix the LAN cable (option). For information on installing the cord holders, see page 52.

Connection example 1: Connecting by cable (using a modem without router)



* Here, “modem” refers to an ADSL modem, optical network unit (ONU) or cable modem.

NOTE

Depending on the Internet connection, you may not be able to connect to two or more devices (for example, a computer and the instrument), depending on the contract with the provider. This means you cannot connect with the instrument. If in doubt, check your contract or contact your provider.

NOTE

Connect the LAN cable to the [LAN] port.

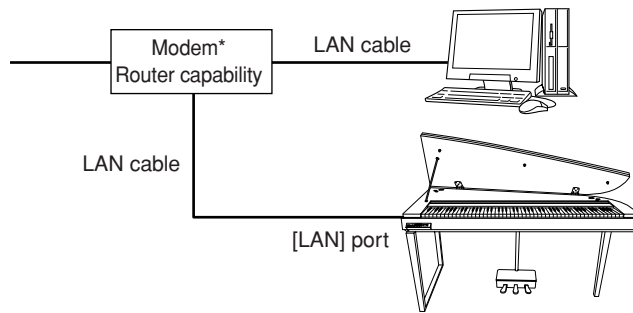
NOTE

Some types of modems require an optional Ethernet hub network for simultaneously connecting to several devices (such as computer, musical instrument, etc.).

NOTE

Due to EU regulations, users within Europe should use an STP (shielded twisted pair) cable to prevent electromagnetic interference.

Connection example 2: Connecting by cable (using a modem with router)

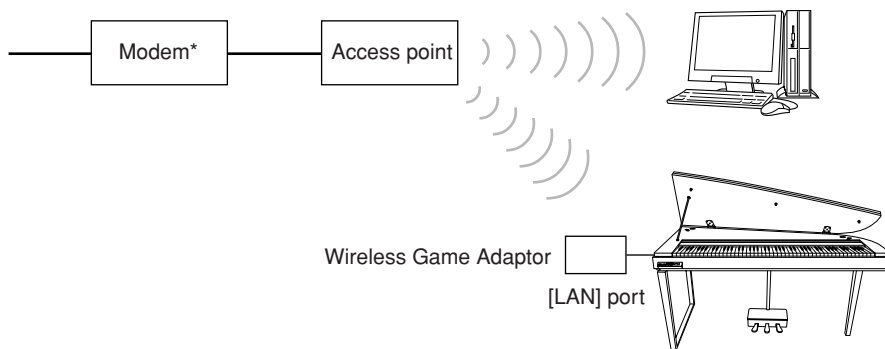


* Here, "modem" refers to an ADSL modem, optical network unit (ONU) or cable modem.

NOTE

Connect the LAN cable to the [LAN] port.

Connection example 3: Wireless connection (using a wireless game adaptor)



* Here, "modem" refers to an ADSL modem, optical network unit (ONU) or cable modem.

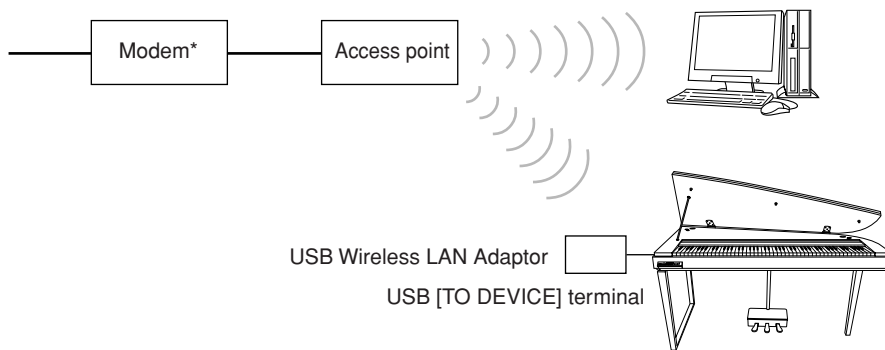
NOTE

Connect the wireless game adaptor to the [LAN] port.

NOTE

In addition to the modem or an access point, this connection requires a router.

Connection example 4: Wireless connection (using a USB wireless LAN adaptor)



* Here, "modem" refers to an ADSL modem, optical network unit (ONU) or cable modem.

NOTE

Connect the USB wireless LAN adaptor to the USB [TO DEVICE] terminal.

NOTE

In addition to the modem or an access point, this connection requires a router.

NOTE

The H11 is encrypted in WEP format only.

Connecting the Instrument to the Internet

If you are using a connection by cable (using DHCP):

You do not need to make settings on the instrument. You can access the Internet simply by connecting a router or a modem equipped with a router to the instrument via a LAN cable.

Once the instrument is successfully connected to the Internet, the channel streamed from the Internet will be shown on the display when you select the [INTERNET] lamp with the [BGM] button.

- ⇒ You can play back the songs on the Internet using the streaming service. For instructions on playing back songs, see “Listening to the Songs on Internet” on page 25.

If you are using a connection by cable (using static IP address, proxy server):

You need to make Internet settings on the instrument.

For instructions on making Internet settings, see “About the Internet Settings” on page 36.

If you are using a wireless LAN (using a wireless game adaptor):

You do not need to make settings on the instrument.

You can access the Internet simply by connecting a wireless game adaptor to the instrument.

- * The wireless game adaptor requires settings such as the access point. For information about how to make settings, read the owner’s manual for the product you are using.

Once the instrument is successfully connected to the Internet, the channel streamed from the Internet will be shown on the display when you select the [INTERNET] lamp with the [BGM] button.

- ⇒ You can play back the songs on the Internet using the streaming service. For instructions on playing back songs, see “Listening to the Songs on Internet” on page 25.

If you are using a wireless LAN (using a USB wireless LAN adaptor):

You need to make Internet settings from a computer; settings cannot be made on the instrument.

For instructions on making Internet settings, see “About the Internet Settings” on page 36.

NOTE

The most common router and modem equipped with a router have a DHCP function.

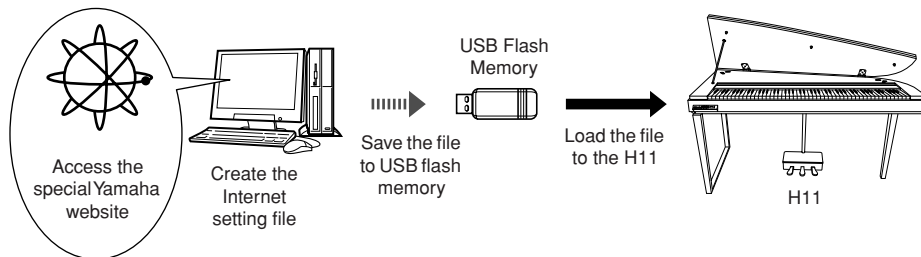
About the Internet Settings

You can conveniently make Internet settings for your instrument from the special Yamaha website.

If you select a wireless connection using the USB wireless LAN adaptor or a connection by cable (using static IP address or proxy server), you need to make Internet settings explained as follows.

Internet Settings

When you use the Internet Direct Connection (IDC) for the first time, you should make the Internet settings according to the following illustration flow. This flow is shown to make you easily understand how to load the setting file created by the computer to your instrument. By following this flow, you won't need to make difficult settings such as typing various data on your instrument.



For details, refer to the Yamaha webpage:
<http://music.yamaha.com/idc/>

Creating the Internet Setting Files

You need to create the Internet setting files on the special Yamaha webpage using your computer before making the Internet settings.

For information about how to create the Internet setting files, read the instructions on the Yamaha webpage: <http://music.yamaha.com/idc/>

Loading the Internet Setting Files

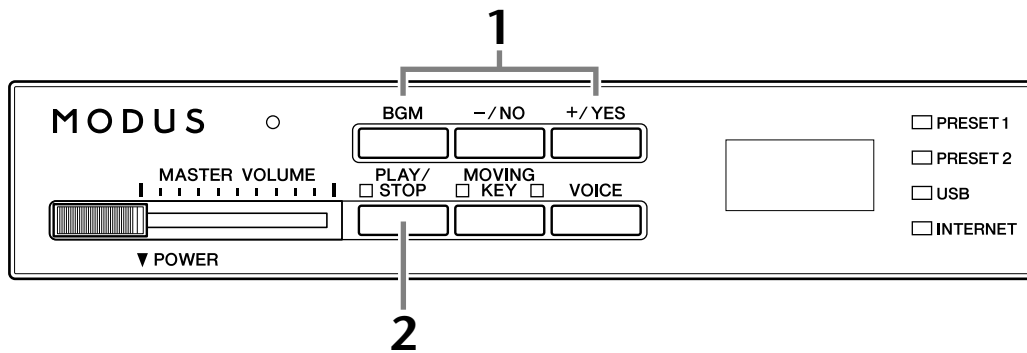
This procedure lets you make Internet settings by loading the Internet setting files created on the special Yamaha webpage to the instrument.

NOTE

You do not need to make the Internet settings here if you are using a connection by cable (using DHCP) or a wireless LAN (using a wireless game adaptor).

NOTE

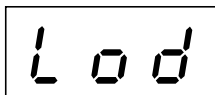
The Internet settings will be backed up.



Operation

1 Engage the Load mode.

Make sure that the USB flash memory device containing the saved Internet setting file named “config.n21” is connected to the instrument, and then simultaneously hold down the [BGM] button and press the [+ / YES] button.



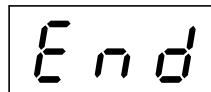
⚠ CAUTION

To cancel loading, press any button (except the [PLAY/STOP] button) before pressing the [PLAY/STOP] button in step 2.

2 Start loading.

Press the [PLAY/STOP] button.

- ⇒ When loading from the USB flash memory device is completed, an “End” message will appear on the display. Press any button to exit from this display.



- ⇒ Once loading is completed, you are now ready to access the Internet.

Once the instrument is successfully connected to the Internet, the channel streamed from the Internet will be shown on the display when you select [INTERNET] lamp with the [BGM] button.

For instructions on streaming, see “Listening to the Songs on Internet” on page 25.

NOTE

The load mode cannot be engaged while song playback is active in BGM mode.

NOTE

You can create the Internet setting files (named “config.n21”) on the special Yamaha webpage.

NOTE

If loading is not successfully completed, an “Err” message and the error code will appear alternately on the display.

NOTE

Error Code

You can check the description for the error code on the Yamaha website:
<http://music.yamaha.com/idc/>

NOTE

Yamaha recommends that you back up the Internet setting files (page 44).

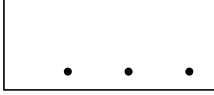
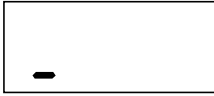

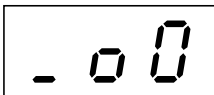
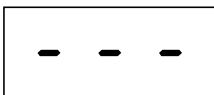
Checking the field strength (when using a USB wireless LAN adaptor)

You can check the field strength on the display, if you are using a USB wireless LAN adaptor (Connection example 4 on page 34).

While holding down the [BGM] button, press the [MOVING KEY] button.

⇒ The field strength indication will appear on the display for about three seconds.

Field Strength Indications

Radio Status	Display
No signal is present.	
Field strength: Weak	
Field strength: Medium	
Field strength: Strong	
No wireless LAN is used.	

NOTE

The field strength can be displayed after making the Internet connection.

NOTE

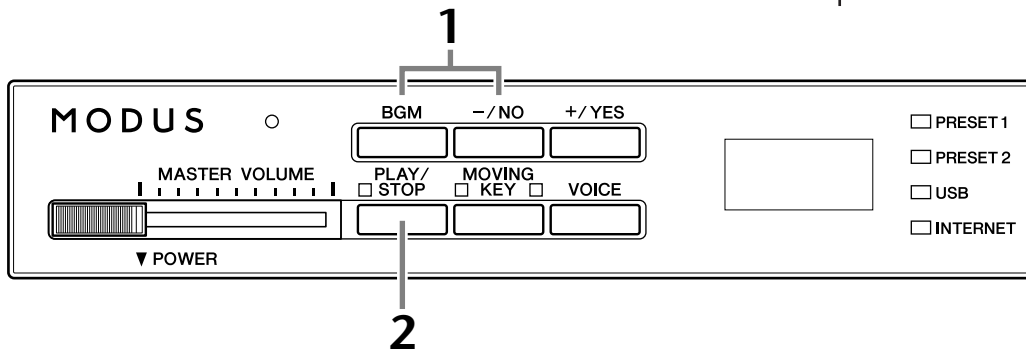
If you are using a wireless game adaptor, the display pattern for "No wireless LAN is used" will appear.

Exporting the Connection Information

This procedure lets you export the detailed information on the current connection as a text file to a USB flash memory device. You can check the information on your computer.

NOTE

The connection information file does not allow you to manually make Internet settings. The connection information file is set to “read only” and cannot be edited.



Operation

1 Turn on the Export mode.

Make sure that a USB flash memory device is connected to the instrument, and then press the [-/NO] button while holding down the [BGM] button.



⚠ CAUTION

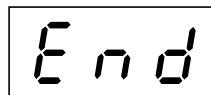
To cancel exporting, press any button (except the [PLAY/STOP], [-/NO] and [+ /YES] buttons) before pressing the [PLAY/STOP] button in step 2.

2 Start exporting.

Press the [PLAY/STOP] button.

A “n-y” message will appear on the display if a USB flash memory device contains a file with the same name as the one you are attempting to export. Press the [+ /YES] button to execute the overwriting operation. Press the [-/NO] button to cancel exporting.

- ⇒ When exporting to the USB flash memory device is completed, an “End” message will appear on the display. Press any button to exit from this display.



After exporting, connect the USB flash memory device to your computer, and then open the text file named “ConnectionInfo.txt” in the root directory of the USB flash memory device to check the detailed connection information.

NOTE

The export mode cannot be engaged while song playback is active in BGM mode.

NOTE

If exporting is not successfully completed, an “Err” message and the error code will appear alternately on the display.

NOTE

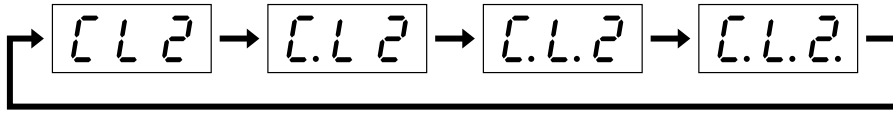
Error Code

You can check the description for the error code on the Yamaha website:
<http://music.yamaha.com/idc/>

Initializing Internet Settings

To initialize the Internet settings, simultaneously hold down the [BGM] button and the [PLAY/STOP] button and turn on the power.

(Displayed while initialization is in progress)



CAUTION

Never attempt to turn off the power during initialization. Doing so will cancel initialization.

CAUTION

Initializing restores the instrument to the factory-programmed settings for all Internet settings. Yamaha recommends you that you back up the Internet settings before initializing.

See "Backing Up Data to USB Flash Memory" on page 45 for details.

NOTE

The settings of the Internet function are not initialized when using the "Initializing the data" on page 44.

NOTE

Information of the streaming channels and cookies will be initialized at the same time.

Internet Initial Settings

DHCP	ON (available)
Wireless LAN	OFF (no settings)
Proxy server	OFF (no settings)

Glossary of Internet Terms

Access point	A device that acts as a communication hub for multiple wireless devices, and conventionally enables both wired and wireless LAN connections.
Broadband	An Internet connection technology/service (such as ADSL and optical fiber) that allows for high-speed, high-volume data communication.
Browser	The software used to search for, access, and view web pages. For this instrument, this refers to the display that shows the contents of the web pages.
Cookie	A system that records certain information that the user transfers when visiting a website and using the Internet. The function is similar to a preference file in a conventional computer program, in that it “remembers” certain information such as your user name and password, so you don’t have to re-enter the information each time you visit the site.
DHCP	This is a standard or protocol by which IP addresses and other low-level network configuration information can be dynamically and automatically assigned each time connection is made to the Internet.
Home page	The first page shown when opening a browser and connecting to the Internet. This phrase is also used to mean the “front screen” or top page of a website.
Internet	A huge network made up of networks, the Internet allows high-speed data transfer among computers, mobile phones and other devices.
IP address	A string of numbers assigned to each computer connected to a network, and indicating the device’s location on the network.
LAN	Short for Local Area Network, this is a data-transfer network that connects a group of computers at a single location (such as an office or home) by means of a special cable.
Link	Location information in other sentences and images, etc. that are under buttons and character strings on a web page. When the place with the link is clicked, the page selection jumps to the relevant link.
Modem	A device which connects and allows data transfer between a conventional telephone line and a computer. It converts the digital signals from the computer to analog audio for sending over the phone line, and vice versa.
Provider	A communications business that offers Internet connection services. In order to connect to the Internet, it is necessary to contract to a provider.
Proxy	A proxy server is a server that all computers on a local network have to go through before accessing information on the Internet. It intercepts all or designated requests to the real server to see if it can fulfill the requests itself. If not, it forwards the request to the real server. Proxy servers are used to improve performance and speed, and to filter requests, usually for security and to prevent unauthorized access to an internal network.
Router	A device for connecting multiple computer networks. For example, a router is necessary when connecting several computers in a house or office, and allow them to all access the Internet and share data. A router is usually connected between a modem and a computer, although some modems have a built-in router.
Server	A hardware system or computer used as a central point for a network, providing access to files and services.

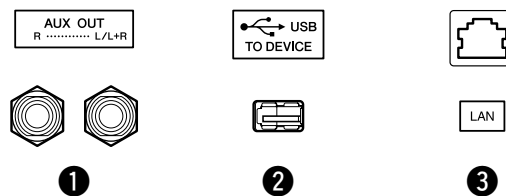
Site	Short for “website,” this refers to the group of web pages that are opened together. For example, the collection of web pages whose addresses begin with “http://www.yamaha.com/” is referred to as the Yamaha site.
SSL	Short for Secure Sockets Layer, a standard for transmitting confidential data such as credit card numbers over the Internet.
Streaming	A method of data transfer over the Internet that allows you to listen to the song data while it is being sent. The data can be accessed repeatedly, but it cannot be saved.
URL	Short for Uniform Resource Locator, a string of characters used to identify and link to specific websites and pages on the Internet. A complete URL usually starts with the characters “http://.”
Web page	Refers to each individual page that makes up a website.
WEP	Short for Wired Equivalent Privacy, a security protocol for wireless networks. WEP protects communication contents from being intercepted.
Wireless LAN	A LAN connection that allows data transfer through a wireless, cable-free connection.
Wireless Game Adaptor (Wireless Ethernet Converter or Bridge)	Device that allows easy wireless connection with digital consumer electronic devices, printers, and game machines, etc. equipped with [LAN] ports.

Connections

Connectors

⚠ CAUTION

Before connecting the H11 to other electronic components, turn off the power to all the components. Before turning the power on or off to all components, set all volume levels to minimum (0). Otherwise, electrical shock or damage to the components may result.

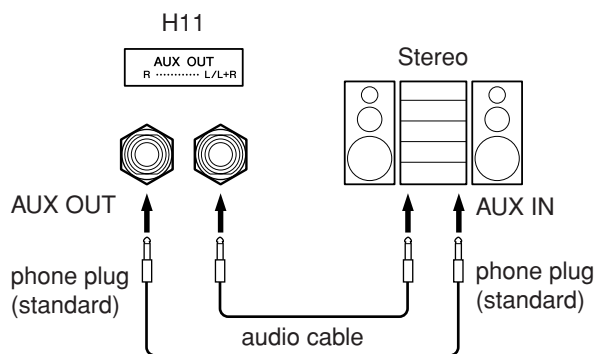


1 AUX OUT[L/L+R][R] jacks

You can connect these jacks to a stereo system to amplify the H11 or to a cassette tape recorder to record your performance. Refer to the diagram below and use audio cables to make the connections.

⚠ CAUTION

When the H11's AUX OUT jacks are connected to an external audio system, first turn on the power to the H11, then to the external audio system. Reverse this order when you turn the power off.



2 USB [TO DEVICE] terminal

This terminal is for connection to a USB flash memory device. For more information, refer to "Precautions when using the USB [TO DEVICE] terminal" on page 22.

3 [LAN] port

This port allows direct connection of the H11 to the Internet, letting you use a special streaming service on the Yamaha website for playing back songs in a variety of musical genres as background music on the instrument. Before connecting the instrument to the Internet, be sure to read "Internet Direct Connection (IDC)" on page 33.

⚠ CAUTION

Do not directly connect the [LAN] port to your computer. The Internet functions cannot be used if so connected.

NOTE

Use audio cables and adaptor plugs with no resistance.

NOTE

Use only the AUX OUT [L/L+R] jacks for connection with a mono device.

Data Backup

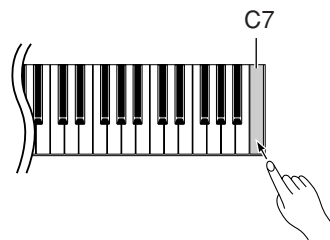
Backup Data in Internal Memory

The following data will be saved to internal memory of the instrument. The data is maintained even when the power is turned off.

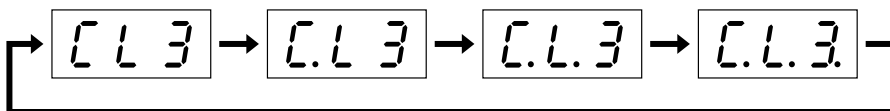
- BGM Mode
- Moving Key On/Off
- Fine Tuning of the Pitch
- Character Code
- Internet Settings
- Channel (for streaming service)
- Cookies
- Song Auto Revoice On/Off

Initializing the backup data in Internal Memory

Turn off the power to the instrument. Then turn the power on while holding the C7 key.



(Displayed while initialization is in progress)



⚠ CAUTION

Never attempt to turn off the power during initialization. Doing so will cancel initialization.

⚠ CAUTION

Initializing restores the instrument to the factory-programmed settings for all settings. Yamaha recommends you that you back up the settings before initializing. See "Backing Up Data to USB Flash Memory" on page 45 for details.

NOTE

To initialize the Internet settings, refer to "Initializing Internet Settings" on page 40.

NOTE

Initialization does not reset the character code setting. If you want to reset the character code setting, see page 20.

Backing Up Data to USB Flash Memory

For maximum data security Yamaha recommends that you save your important data to a USB flash memory as backup. This important data includes backup data in internal memory of the instrument (page 44), voice settings (page 30).

Operation

1 Engage the Backup mode.

Make sure that the USB flash memory device is connected to the instrument, then press the [VOICE] button while holding the [BGM] button.



⚠ CAUTION

To cancel backup, press any button (except [PLAY/STOP], [-/NO], or [+ /YES]) before pressing the [PLAY/STOP] button in step 2.

2 Start backup.

Press the [PLAY/STOP] button.

The “nγ” prompt will appear on the display if the USB flash memory device contains a file with the same name as the one you are attempting to backup.

Press the [+ /YES] button to execute the overwrite operation. Press the [- /NO] button to cancel backup. When the backup is finished, an “End” message appears on the display.

3 Exit from the Backup mode.

Press the [- /NO] or [+ /YES] button.

NOTE

The backup mode cannot be engaged while song playback is active in BGM mode.

NOTE

BGM mode cannot be backed up to a USB flash memory.

NOTE

The backup data file is automatically named “H11.bup.”

Restoring the Backup Data

The backup data in a USB flash memory device can be restored to the instrument.

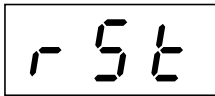
Operation

1 Engage the Backup mode.

Make sure that the USB flash memory device containing the restore data “H11.bup” is connected to the instrument, then press the [VOICE] button while holding the [BGM] button.

2 Enable the Restore mode.

Press the [+ / YES] button.



CAUTION

To cancel restore, press any button (except [PLAY/STOP], [- / NO], or [+ / YES]) before pressing the [PLAY/STOP] button in step 3.

3 Start the restore operation.

Press the [PLAY/STOP] button.

When the restore operation is finished, an “End” message appears on the display.

4 Exit from the Restore mode.

Press the [- / NO] or [+ / YES] button.

Message List

In this chart, the comments are divided into two different parts: The initial sentence explains the meaning of the message or the underlying problem and the “→” mark indicates the possible solution.

Message*			Comment
0	0	1	Indicates failure in accessing the USB flash memory or media. →Use another USB flash memory or media.
0	0	2	Indicates that the song data cannot be loaded correctly. The file format is invalid. →Check the file format.
0	0	4	Indicates that the song data is too large to be loaded. Indicates that the protected song data cannot be loaded.
0	0	5	Media has not been formatted. →Format the USB flash memory device or media after making sure on your computer that the USB flash memory or media you are formatting does not contain important data.
0	0	6	Indicates that the protected song data cannot be loaded.
0	0	7	There is no song data. There is no file.
0	0	8	The USB flash memory device or media is not connected. →Connect a USB flash memory device or media to the USB [TO DEVICE] terminal.
0	1	0	The data cannot be saved to internal memory of the instrument.
0	1	1	Data in the USB flash memory hasn't been restored. →Press the [PLAY/STOP] button.
0	2	0	This USB flash memory device cannot be used. →Use only USB flash memory devices compatible with the instrument.
0	2	2	Displayed when the total amount of USB flash memory or USB hub has become too large. →Refer to “Precautions when using the USB [TO DEVICE] terminal” on page 22.
0	2	3	Indicates failure in connecting the USB flash memory or media.
0	5	1	An error has occurred in the Moving Key function. The [MOVING KEY] status lamp lights in red. →Please contact your nearest Yamaha dealer or authorized distributor.
0	5	2	The temperature of moving key unit increases. The [MOVING KEY] status lamp flashes in red. →The instrument is automatically reset.
-	-	-	Processing the current operation.
C	L	1	Initializing the voice settings to the normal settings (factory defaults).
C	L	2	Initializing the Internet settings to the normal settings.
C	L	3	Initializing to the normal settings.
E	5	0	Some abnormality has been detected in the power of the Moving Key function. The [MOVING KEY] status lamp lights in red. →If this happens, turn off the power to the instrument and disconnect the plug. However, if the [USB] lamp is flashing as well, turn off the power only after the lamp [USB] lamp is off. Please contact your nearest Yamaha dealer or authorized distributor.
E	n	d	Displayed when the current operation is completed.
F	C	L	Indicates that internal memory has been cleaned up. The backup data in internal memory of the instrument, and voice settings are cleared, because the power has been turned off before the song save or load operations were completed. ⚠ CAUTION Do not turn off the power of the instrument when “FCL” appears in the display. Doing so may cause the instrument to malfunction.
F	U	L	Displayed when the total amount of files has become too large. Displayed when internal memory is full. Displayed when the media is full.
n	-	y	Prompts you to confirm or cancel the overwrite operation.
P	r	o	Indicates that the media is write-protected.

* When the message is a three-digit number (001-052), “Err” (Error) flashes alternately in the display with the number.

* When an operation (such as saving or data transfer) is in process, the display shows a sequence of flashing dashes.

Troubleshooting

Problem	Possible Cause and Solution
The instrument does not turn on.	The instrument has not been plugged in properly. Securely insert the female plug into the socket on the instrument, and the male plug into a proper AC outlet (page 15).
A click or pop is heard when the power is turned on or off.	This is normal when electrical current is being applied to the instrument.
Noise is heard from the speakers or headphones.	The noise may be due to interference caused by the use of a mobile phone in close proximity to the instrument. Turn off the mobile phone, or use it further away from the instrument.
The overall volume is low, or no sound is heard.	<ul style="list-style-type: none"> • The Volume is set too low: set it to an appropriate level using the [MASTER VOLUME] control. • Make sure a pair of headphones is not connected to the headphones jack (page 15).
The pitch and/or tone of the Piano Voices in certain ranges do not sound right.	The Piano Voices attempt to precisely simulate actual piano sounds. However, as a result of sampling algorithms, overtones in some ranges may sound exaggerated, producing a somewhat different pitch or tone. This is normal, and no cause for concern.
Mechanical noise is heard when the keys move.	The keyboard mechanism of this instrument simulates the keyboard mechanism of an actual piano. Mechanical noise is also heard on a piano. This is normal, and is no cause for concern.
The USB flash memory device cannot be normally read and written.	The particular USB flash memory device is not supported by the instrument. The operation of the USB flash memory may become unstable.
The USB flash memory device has hung up (stopped).	<ul style="list-style-type: none"> • The USB flash memory is not compatible with the instrument. Only use the USB flash memory device whose compatibility has been confirmed by Yamaha (page 22). • Disconnect the device and connect it to the instrument again.
The cover under the keyboard becomes warm.	Heat might be generated while using the instrument. This is normal, and no cause for concern.

Keyboard Stand Assembly

! CAUTION

- Be careful not to confuse parts, and be sure to install all parts in the correct direction. Please assemble the unit in the appropriate sequence.
- Assembly should be carried out by at least two persons.

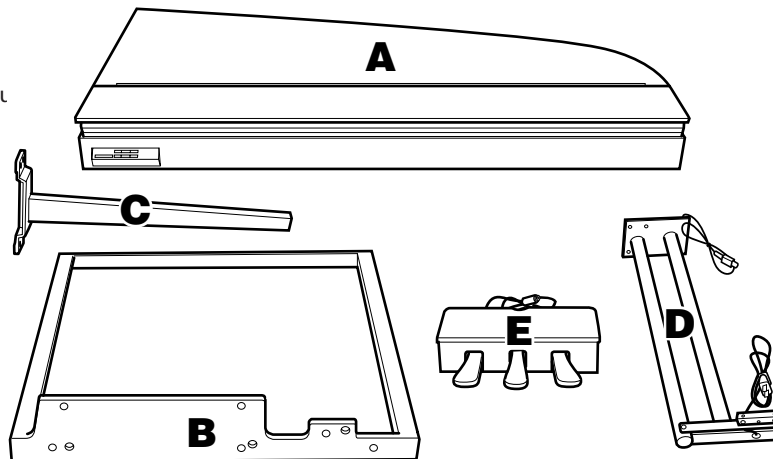
- Be sure to use the included screws only, and insert screws of the correct size in the correct hole locations. Do not use any other screws. Use of incorrect screws can cause damage or malfunction of the product.
- Be sure to tighten all screws upon completing assembly of each unit.
- To disassemble, reverse the assembly sequence.


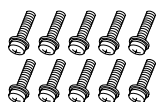


Have a Phillips-head (+) screwdriver ready.

Remove all parts from the box. Confirm that all parts shown in the illustration are provided.

! CAUTION

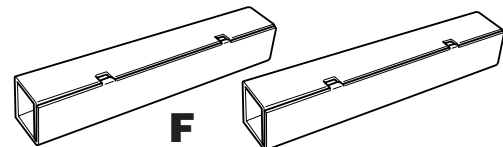
Be careful not to pinch your fingers when setting the instrument on the floor.



-  6 x 30 mm long screws x 4
-  6 x 20 mm short screws x 10
-  4 x 6 mm small screws x 6
-  Cord holders x 4

You can attach the included cord holders and tuck in the LAN cable to suit your setup situation.

Before starting installation, remove the vinyl ties that bundle the pedal cord and AC power cord.

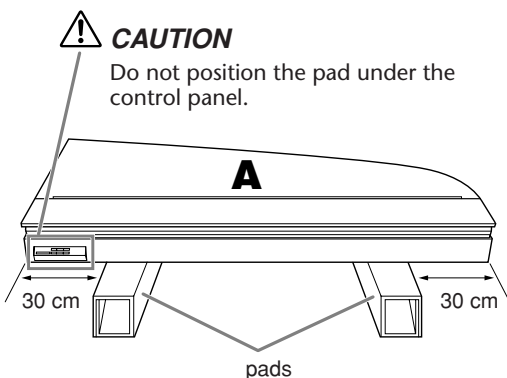


Remove two rectangle pads (800 x 130 mm) from the packing box.

1. Place A on top of the pads.

1-1 Locate two pads (F) so that they will be positioned about 30 cm inside from the left and right edges of A.

1-2 Place A on top of the pads.

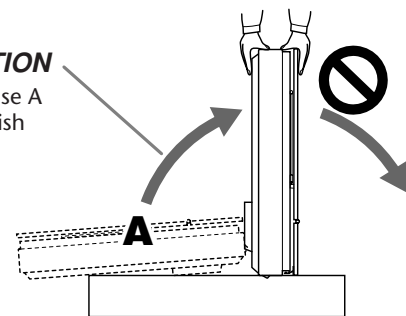


2. Raise A to the vertical position.

2-1 Raise A to the vertical position, with the keyboard side on the bottom, and hold A securely.

! CAUTION

Do not release A until you finish Step 4.

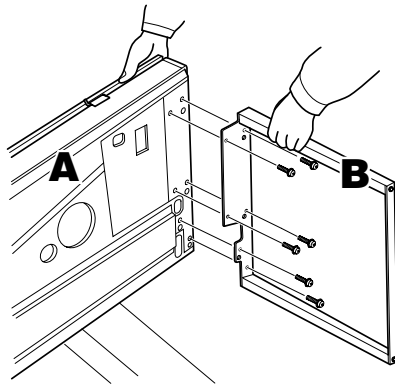


! CAUTION

Do not tip A further than 90 degrees to avoid stress to the key cover and lid.

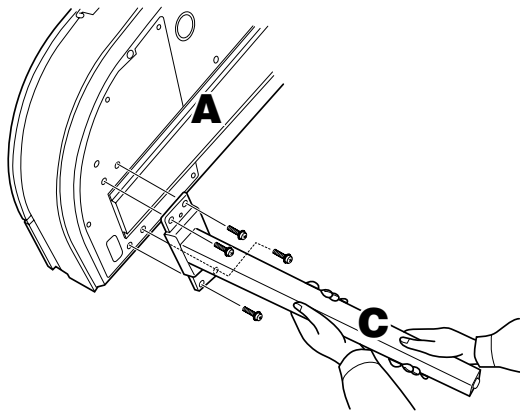
3. Attach B.

- 3-1 Align the holes on A with those on B and hold A and B together.
- 3-2 Finger-tighten six short screws (6×20 mm) starting with the top hole.
- 3-3 Tighten the screws securely.



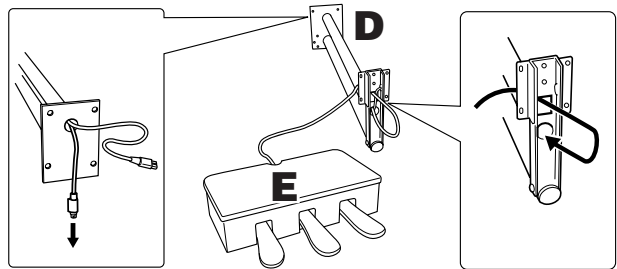
4. Attach C.

- 4-1 Align the holes on A with those on C and hold A and C together.
- 4-2 Finger-tighten four short screws (6×20 mm) starting with the top hole.
- 4-3 Tighten the screws securely.

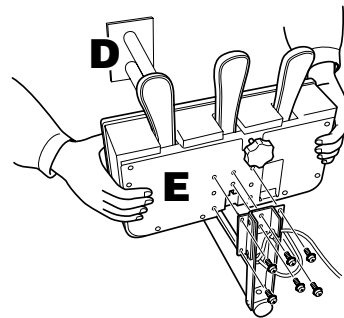


5. Assemble the pedal structure.

- 5-1 Pass the pedal cord (that comes out from the rear of pedal box E) through a hole on the bracket of D, then pass it through the pipe.



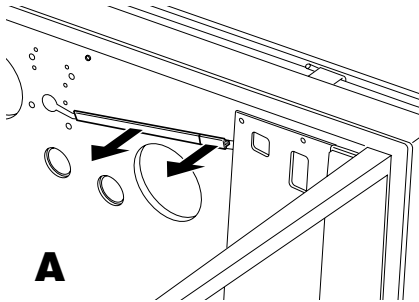
- 5-2 Align the holes on the bottom of E with the holes on the bracket of D, then attach E and D by tightening six small screws (4×6 mm). At this time, first tighten the two center screws, then tighten the rest of the screws.
- 5-3 Pull the end of the pedal cord to eliminate any slack inside the bracket on D.



CAUTION
Hold E securely to avoid slippage.

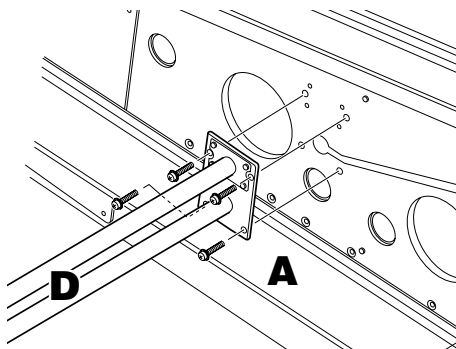
6. Install the pedal structure.

6-1 Remove the covers from the grooves on the bottom surface of A.



6-2 Align the pedal power cords (that come out from the pipes of D) along with the grooves on the bottom surface of A.

6-3 Align the holes on the bracket of D with the holes on A, then attach D to A by tightening four long screws (6×30 mm).

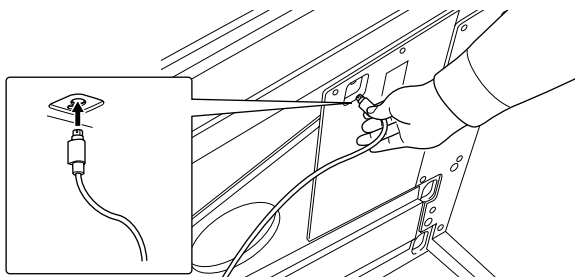


⚠ CAUTION

Be careful not to pinch the cords between the bracket and the surface of A.

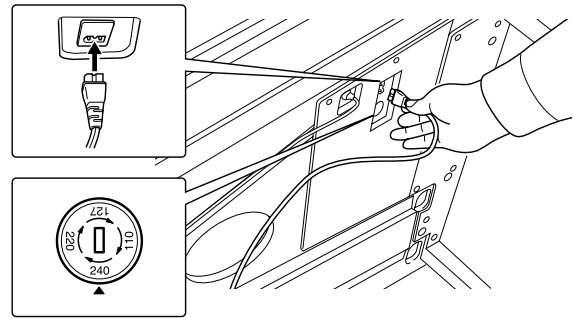
7. Connect the cords.

7-1 Connect the pedal cord plug to the pedal connector in the correct orientation.



7-2 Set the voltage selector to an appropriate voltage.

7-3 Connect the power cord plug to the power connector in the correct orientation.

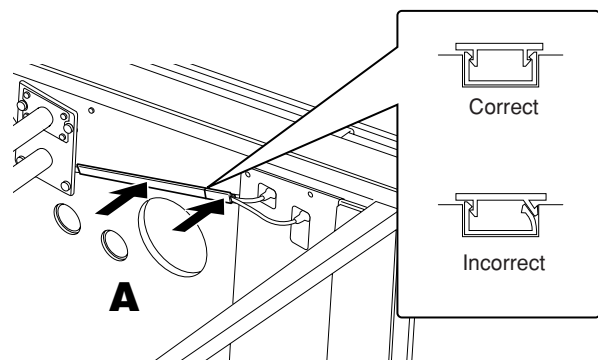


Voltage Selector

Before connecting the AC power cord, check the setting of the voltage selector which is provided in some areas. To set the selector for 110V, 127V, 220V or 240V main voltages, use a “minus” screwdriver to rotate the selector dial so that the correct voltage for your region appears next to the pointer on the panel. The voltage selector is set at 240V when the unit is initially shipped. After the proper voltage has been selected, connect the AC power cord to the AC IN and an AC wall outlet. A plug adaptor may also be provided in some areas to match the pin configuration of the AC wall outlets in your area.

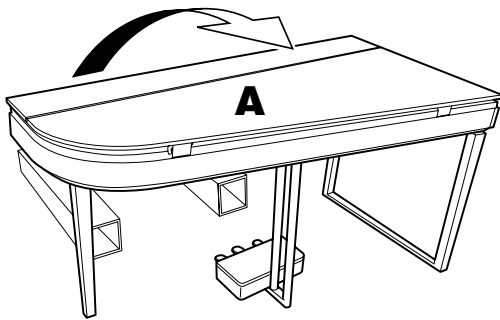
8. Replace the groove covers.

8-1 Insert the pedal cord and power cords into the grooves securely, then attach the groove covers.



9. Raise A.

9-1 Securely hold the front side of A (the side currently facing toward the floor), then raise A.

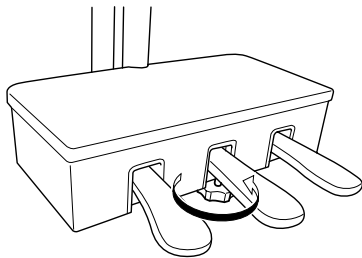


! CAUTION

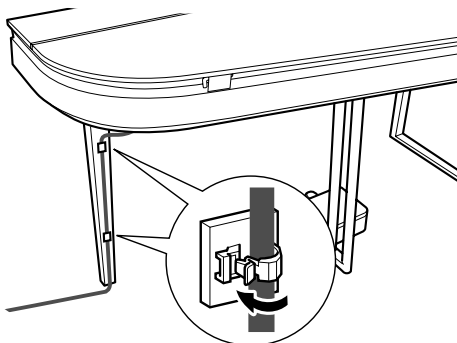
- Do not hold the control panel area.
- Be careful not to drop the instrument on your foot.

10. Rotate the adjuster.

10-1 Rotate the pedal height adjuster until the bottom of the pedal reaches the floor.



You can attach the included cord holders and tuck in the LAN cable to suit your setup situation.



After completing the assembly, please check the following.

- Are there any parts left over?
 - Review the assembly procedure and correct any errors.
- Is the instrument clear of doors and other movable fixtures?
 - Move the instrument to an appropriate location.
- Does the instrument make a rattling noise when you shake it?
 - Tighten all screws.
- Does the pedal box rattle or give way when you step on the pedals?
 - Turn the adjuster so that it is set firmly against the floor.
- Are the pedal and power cords inserted securely into the sockets?
 - Check the connection.

! CAUTION

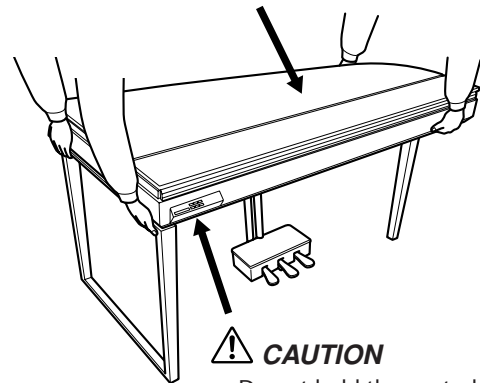
If the main unit creaks or is otherwise unsteady when you play on the keyboard, refer to the assembly diagrams and retighten all screws.

! CAUTION

When you relocate the unit after assembling it, be sure to hold the bottom of the main unit. In particular, hold the left side of the main unit along with the bottom of the upper frame of the left leg.

! CAUTION

Do not hold the key cover or lid.



! CAUTION

- Do not hold the control panel area.
- Be careful not to drop the instrument on your foot.

50 Piano Preset Songs (Classic & Jazz) List

[PRESET 1] (Classic)

Song No.	Scene No.	1	2	3	4	5	6	7	8	9	10	11	12	13
	Scene Title	Home Party	Morning	Upbeat	Elegant	Relaxing	Nighttime	Melancholy	Mood Music	Fantasy	Baroque and Pre-romantic Music	Pre-romantic (Chopin)	Post-romantic	Modern French
	Song Name (Composer)													
1	Sonate, K.380, L.23 (D. Scarlatti)		1								1			
2	Aria, Goldberg-Variationen, BWV.988 (J. S. Bach)					1	1				2			
3	Sonate für Klavier Nr.5, K.283 (W. A. Mozart)		2	1							3			
4	Sonate für Klavier Nr.12, K.332 (W. A. Mozart)	1	3	2							4			
5	Sonate für Klavier Nr.14 "Mondschein", op.27-2 (L. v. Beethoven)	2						1			5			
6	Frühlingslied, op.62-6 (F. Mendelssohn)	3			1						6			
7	Etude "Chanson de l'adieu", op.10-3 (F. F. Chopin)	4						2	1			1		
8	Etude "Aeolian Harp", op.25-1 (F. F. Chopin)	5		3						2		2		
9	Valse, op.64-2 (F. F. Chopin)							3				3		
10	Valse, op.69-2 (F. F. Chopin)							4				4		
11	Nocturne, op.9-1 (F. F. Chopin)							5	3			5		
12	Nocturne, op.9-2 (F. F. Chopin)	6			2	2			4			6		
13	Träumerei, op.15-7 (R. Schumann)	7				3	2			1	7			
14	Consolation No.3 (F. Liszt)					4			5				1	
15	Melody in F, op.3-1 (A. Rubinstein)	8			3								2	
16	Humoresque, op.101-7 (A. Dvoák)	9			4					2			3	
17	Arietta, Lyriske småstykker I, op.12-1 (E. H. Grieg)	10				5	3			3			4	
18	Romance sans paroles, op.17-3 (G. Fauré)				5									1
19	Salut d'amour, op.12 (E. Elgar)	11	4	4	6								5	
20	To a wild rose, Woodland sketches, op.51-1 (E. A. MacDowell)					6	4			4			6	
21	Tango, España, op.165-2 (I. Albéniz)	12		5	7								7	
22	La fille aux cheveux de lin (C. A. Debussy)	13				7	5							2
23	Arabesque 1 (C. A. Debussy)	14			8									3
24	Clair de lune (C. A. Debussy)	15				8								4
25	Rêverie (C. A. Debussy)					9	6							5
26	Gymnopédie No.1 (E. Satie)					10	7							6
27	Je te veux (E. Satie)	16		6	9									7
28	Pavane pour une infante défunte (M. Ravel)	17				11	6							8
29	Menuet, Le tombeau de Couperin (M. Ravel)	18				12								9
30	A la manière de Borodine (M. Ravel)				10									10

The numbers below the Scene Title indicate the order of songs in each scene.

Some of the preset songs have been edited for length or arrangement, and may not be exactly the same as the original.

[PRESET 2] (Jazz)

Song No.	Scene No.	14	15	16	17	18	19	20	21	22	23
	Scene Title	Home Party	Daytime	Afternoon	Evening	Midnight	Elegant	Upbeat	Ballad	Innocent	Mood Music
	Song Name (Composer)										
1	Alfie (B. Bacharach)*	1		1						1	
2	Besame Mucho (C. Velazquez)*				1				1		1
3	Bewitched (R. Rodgers)			2			1		2		2
4	Emily (J. Mandel)*	2	1	3				1		2	
5	Hey Jude (J. Lennon & P. McCartney)*	3	2						3		
6	How Deep Is the Ocean (I. Berlin)*				2			2			
7	I Didn't Know What Time It Was (R. Rodgers)*		3		3			3			
8	If I Should Lose You (L. Robin & R. Rainger)				4			4			
9	It Might As Well Be Spring (R. Rodgers)*	4	4	4				5		3	
10	It Never Entered My Mind (R. Rodgers)				5		2		4		
11	Mona Lisa (J. Livingston & R. Evans)*	5		5	6	1	3		5	4	3
12	My Funny Valentine (R. Rodgers)*					2					4
13	Never Let Me Go (J. Livingston & R. Evans)*					3			6		5
14	Norwegian Wood (J. Lennon & P. McCartney)*	6		6					7	5	
15	On Green Dolphin Street (N. Washington & B. Kaper)*	7	5					6			
16	Over the Rainbow (H. Arlen)*	8				4	4		8	6	
17	Smoke Gets in Your Eyes (J. Kern)*	9			7	5	5		9		
18	Stella by Starlight (V. Young)*	10	6		8	6		7			
19	The Nearness of You (H. Carmichael)*	11			9	7	6		10		6
20	You Are Too Beautiful (R. Rodgers)			7	10		7				7

* Performed by Shigeo Fukuda

The numbers below the Scene Title indicate the order of songs in each scene.

Some of the preset songs have been edited for length or arrangement, and may not be exactly the same as the original.

Index

Numerics

- 50 Piano Preset Songs (Classic & Jazz)..... 17
 50 Piano Preset Songs (Classic & Jazz) List53

A

- Accessories7
 ALL (display) 17, 20
 AWM Dynamic Stereo Sampling8

B

- Backup44
 BGM mode13
 BGM OFF mode.....13

C

- Channel (Internet)25
 Character Code.....20

D

- Data Format.....21
 Display11
 Dual Balance29
 Dual mode29

F

- Floppy Disk.....23
 Floppy Disk Drive23
 Format.....24

H

- Headphones.....16, 58

I

- Initialize (internal memory)44
 Initialize (USB storage media).....24
 [INTERNET]13, 25
 Internet Direct Connection (IDC)8, 33
 Internet Settings36

K

- Key Cover 14
 Keyboard Stand Assembly 49

M

- Mode.....29
 Moving Key 8, 13, 19
 Music Rest 16, 58

N

- Normal Setting (Factory Default) 19, 20
 Normal Setting List58
 NW (Natural Wood) Keyboard 8

O

- Octave Shift (Dual mode).....29
 Optional Equipment 58

P

- Part (Moving Key) 19
 Pedals 28
 Pitch 32
 Power 15
 [PRESET 1] 13, 17
 [PRESET 2] 13, 17

Q

- Quick Operation Guide 6

R

- Radio Field Strength 38
 Restore 46
 Reverb 31
 rnd (display) 17, 20

S

Scene	18
SMF Format.....	21
Song Auto Revoice	26
Specifications.....	59
Streaming.....	25, 33
Sxx (display)	17

T

Touch.....	32
Transpose.....	31

U

[USB]	13, 20
USB song.....	20
USB Storage Device.....	22, 58

V

Version Number.....	16
Voice 2 Reverb Depth	30
Voice List	27
Voice Settings	30
Volume	15

Normal Setting List/Liste der Normaleinstellungen/Liste des réglages normaux/Lista de ajustes normales

Function	Normal setting (factory default)
BGM mode	OFF
Moving key	ON
Part (Channel) Setting (Moving Key)	ON (AUTO)
Song Auto Revoice	ON
Voice	Grand Piano 1
Dual Mode	OFF
Touch Sensitivity	MEDIUM
Transpose	0
Tuning	440Hz

Optional Equipment/Optionales Zubehör/ Equipements en option/Equipo opcional

- Headphones/Kopfhörer/Casque/Auriculares (HPE-160)
- USB-FDD Units/USB-Diskettenlaufwerke/Unités USB-FDD/Unidades USB-FDD (UD-FD01)
- Music Rest/Notenablage/Pupitre/Atril (YMR-01)

Specifications/Technische Daten/Caractéristiques techniques/Especificaciones

Keyboard	NW (Natural Wood) with synthetic ivory keytops (Wood is used for the white keys)	
Number of keys	88	
Moving Key	YES	
Sound Source	AWM Dynamic Stereo Sampling	
Polyphony (max.)	128	
Voice Selection	10 For Song playback: 480 XG Voices, 13 Drum/SFX Kits, GM2, GS	
Effect	Reverb	
Controls	Dual, Transpose, Touch (Hard/Medium/Soft/Fixed), Tuning	
Pedal	Damper (apply a half pedal), Sostenuto, Soft	
Demo Songs	50 Piano Preset Songs (Classic & Jazz)	
Internet Direct Connection	[LAN] Port, Wireless Game Adaptor ([LAN] Port), External Adaptor (via USB [TO DEVICE])	
Memory Device	Flash Memory (Internal)	about 2MB
	USB Flash Memory	YES (via USB [TO DEVICE])
	Floppy Disk (2HD, 2DD)	External Adaptor (via USB [TO DEVICE])
	Hard Disk	External Adaptor (via USB [TO DEVICE])
	Memory Card (SmartMedia, etc.)	External Adaptor (via USB [TO DEVICE])
Connectors	[PHONES] × 2, AUX OUT[L/L+R][R] jacks, USB [TO DEVICE], [LAN]	
Main Amplifiers	(16W+12W+12W) × 2	
Speakers	Oval (13 cm × 6 cm) × 2, (16 cm + 2.5 cm) × 2	
Dimensions (W × D × H) (Lid up)	1,461mm × 755mm × 761mm [57-1/2" × 29-3/4" × 29-15/16"] (1,487mm × 765mm × 1,200mm [58-9/16" × 30-1/8" × 47-1/4"])	
Weight	98kg (216lbs., 1oz)	
Accessories	Owner's Manual, Quick Operation Guide, Bench, AC Power Cord, My Yamaha Product User Registration	

- * Specifications and descriptions in this owner's manual are for information purposes only. Yamaha Corp. reserves the right to change or modify products or specifications at any time without prior notice. Since specifications, equipment or options may not be the same in every locale, please check with your Yamaha dealer.
- * Die technischen Daten und Beschreibungen in dieser Bedienungsanleitung dienen nur der Information. Yamaha Corp. behält sich das Recht vor, Produkte oder deren technische Daten jederzeit ohne vorherige Ankündigung zu verändern oder zu modifizieren. Da die technischen Daten, das Gerät selbst oder Sonderzubehör nicht in jedem Land gleich sind, setzen Sie sich im Zweifel bitte mit Ihrem Yamaha-Händler in Verbindung.
- * Les caractéristiques techniques et les descriptions du mode d'emploi ne sont données que pour information. Yamaha Corp. se réserve le droit de changer ou modifier les produits et leurs caractéristiques techniques à tout moment sans aucun avis. Du fait que les caractéristiques techniques, les équipements et les options peuvent différer d'un pays à l'autre, adressez-vous au distributeur Yamaha le plus proche.
- * Las especificaciones y descripciones de este manual del propietario tienen sólo el propósito de servir como información. Yamaha Corp. se reserva el derecho a efectuar cambios o modificaciones en los productos o especificaciones en cualquier momento sin previo aviso. Puesto que las especificaciones, equipos u opciones pueden no ser las mismas en todos los mercados, solicite información a su distribuidor Yamaha.

- * The followings are the titles, credits and copyright notices for seventeen (17) of the 50 Piano Preset Songs (Classic & Jazz) in this instrument:
- * Nachfolgend die Titel, Credits und Hinweise zum Urheberrecht für siebzehn (17) der 50 Preset-Songs für Klavier (Klassik & Jazz) in diesem Instrument:
- * La liste suivante répertorie les titres, auteurs et avis de droits d'auteur de dix-sept (17) morceaux parmi les 50 morceaux de piano présélectionnés (Classic & Jazz) sur l'instrument:
- * A continuación se incluyen los títulos, fichas técnicas y avisos de copyright de diecisiete (17) de las 50 melodías predefinidas para piano (clásica y jazz) de este instrumento:

Alfie

Theme from the Paramount Picture ALFIE
 Words by Hal David
 Music by Burt Bacharach
 Copyright © 1966 (Renewed 1994) by Famous Music LLC
 International Copyright Secured All Rights Reserved

Bésame Mucho (Kiss Me Much)

Music and Spanish Words by Consuelo Velazquez
 English Words by Sunny Skylar
 Copyright © 1941, 1943 by Promotora Hispano Americana de Musica, S.A.
 Copyrights Renewed
 All Rights Administered by Peer International Corporation
 International Copyright Secured All Rights Reserved

Bewitched

from PAL JOEY
 Words by Lorenz Hart
 Music by Richard Rodgers
 Copyright © 1941 (Renewed) by Chappell & Co.
 Rights for the Extended Renewal Term in the U.S. Controlled by Williamson Music and WB Music Corp. o/b/o The Estate Of Lorenz Hart
 International Copyright Secured All Rights Reserved

Hey Jude

Words and Music by John Lennon and Paul McCartney
 Copyright © 1968 Sony/ATV Songs LLC
 Copyright Renewed
 All Rights Administered by Sony/ATV Music Publishing, 8 Music Square West, Nashville, TN 37203
 International Copyright Secured All Rights Reserved

How Deep Is The Ocean (How High Is The Sky)

Words and Music by Irving Berlin
 Copyright © 1932 by Irving Berlin
 Copyright Renewed
 International Copyright Secured All Rights Reserved

I Didn't Know What Time It Was

from TOO MANY GIRLS
 Words by Lorenz Hart
 Music by Richard Rodgers
 Copyright © 1939 (Renewed) by Chappell & Co.
 Rights for the Extended Renewal Term in the U.S. Controlled by Williamson Music and WB Music Corp. o/b/o The Estate Of Lorenz Hart
 International Copyright Secured All Rights Reserved

If I Should Lose You

from the Paramount Picture ROSE OF THE RANCHO
 Words and Music by Leo Robin and Ralph Rainger
 Copyright © 1935 (Renewed 1962) by Famous Music LLC
 International Copyright Secured All Rights Reserved

It Might As Well Be Spring

from STATE FAIR
 Lyrics by Oscar Hammerstein II
 Music by Richard Rodgers
 Copyright © 1945 by WILLIAMSON MUSIC
 Copyright Renewed
 International Copyright Secured All Rights Reserved

It Never Entered My Mind

from HIGHER AND HIGHER
 Words by Lorenz Hart
 Music by Richard Rodgers
 Copyright © 1940 (Renewed) by Chappell & Co.

Rights for the Extended Renewal Term in the U.S. Controlled by Williamson Music and WB Music Corp. o/b/o The Estate Of Lorenz Hart
 International Copyright Secured All Rights Reserved

Mona Lisa

from the Paramount Picture CAPTAIN CAREY, U.S.A.
 Words and Music by Jay Livingston and Ray Evans
 Copyright © 1949 (Renewed 1976) by Famous Music LLC
 International Copyright Secured All Rights Reserved

My Funny Valentine

from BABES IN ARMS
 Words by Lorenz Hart
 Music by Richard Rodgers
 Copyright © 1937 (Renewed) by Chappell & Co.
 Rights for the Extended Renewal Term in the U.S. Controlled by Williamson Music and WB Music Corp. o/b/o The Estate Of Lorenz Hart
 International Copyright Secured All Rights Reserved

The Nearness Of You

from the Paramount Picture ROMANCE IN THE DARK
 Words by Ned Washington
 Music by Hoagy Carmichael
 Copyright © 1937, 1940 (Renewed 1964, 1967) by Famous Music LLC

International Copyright Secured All Rights Reserved

Never Let Me Go

from the Paramount Picture THE SCARLET HOUR
 Words and Music by Jay Livingston and Ray Evans
 Copyright © 1956 (Renewed 1984) by Famous Music LLC
 International Copyright Secured All Rights Reserved

Norwegian Wood (This Bird Has Flown)

Words and Music by John Lennon and Paul McCartney
 Copyright © 1965 Sony/ATV Songs LLC
 Copyright Renewed
 All Rights Administered by Sony/ATV Music Publishing, 8 Music Square West, Nashville, TN 37203
 International Copyright Secured All Rights Reserved

Smoke Gets In Your Eyes

from ROBERTA
 Words by Otto Harbach
 Music by Jerome Kern
 Copyright © 1933 UNIVERSAL - POLYGRAM INTERNATIONAL PUBLISHING, INC.
 Copyright Renewed
 All Rights Reserved Used by Permission

Stella By Starlight

from the Paramount Picture THE UNINVITED
 Words by Ned Washington
 Music by Victor Young
 Copyright © 1946 (Renewed 1973, 1974) by Famous Music LLC
 International Copyright Secured All Rights Reserved

You Are Too Beautiful

from HALLELUJAH, I'M A BUM
 Words by Lorenz Hart
 Music by Richard Rodgers
 Copyright © 1932 (Renewed) by Chappell & Co.
 Rights for the Extended Renewal Term in the U.S. Controlled by Williamson Music and WB Music Corp. o/b/o The Estate Of Lorenz Hart
 International Copyright Secured All Rights Reserved

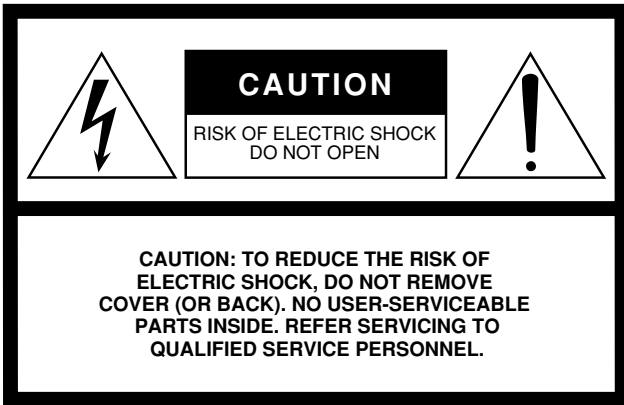
- * The followings are the titles, credits and copyright notices for three (3) of the 50 Piano Preset Songs in this instrument:
- * Nachfolgend die Titel, Credits und Hinweise zum Urheberrecht für drei (3) der 50 Preset-Songs für Klavier (Klassik & Jazz) in diesem Instrument:
- * La liste suivante répertorie les titres, auteurs et avis de droits d'auteur de trois (3) morceaux parmi les 50 morceaux de piano présélectionnés (Classic & Jazz) sur l'instrument :
- * A continuación se incluyen los títulos, fichas técnicas y avisos de copyright de tres (3) de las 50 melodías predefinidas para piano de este instrumento:

Composition Title: ON GREEN DOLPHIN STREET
 Composer's Name: Bronislaw Kaper0372642
 Owner's Name: EMI MUSIC PUBLISHING LTD

Composition Title: EMILY
 Composer's Name: Johnny Mandel0258202
 Owner's Name: EMI MUSIC PUBLISHING LTD

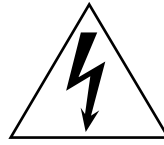
Composition Title: OVER THE RAINBOW
 Composer's Name: Harold Arlen0286708
 Owner's Name: EMI MUSIC PUBLISHING LTD

- * All Rights Reserved, Unauthorized copying, public performance and broadcasting are strictly prohibited.
- * Alle Rechte vorbehalten; Unerlaubte Vervielfältigung, öffentliche Aufführung und/oder Ausstrahlung sind strengstens verboten.
- * Tous droits réservés. Toute copie, performance publique ou radiodiffusion non autorisées sont strictement interdites.
- * Reservados todos los derechos. Queda terminantemente prohibida toda copia, interpretación o difusión pública no autorizada.



The above warning is located on the bottom of the unit.

Explanation of Graphical Symbols



The lightning flash with arrowhead symbol within an equilateral triangle is intended to alert the user to the presence of uninsulated “dangerous voltage” within the product’s enclosure that may be of sufficient magnitude to constitute a risk of electric shock to persons.



The exclamation point within an equilateral triangle is intended to alert the user to the presence of important operating and maintenance (servicing) instructions in the literature accompanying the product.

IMPORTANT SAFETY INSTRUCTIONS

- 1 Read these instructions.
- 2 Keep these instructions.
- 3 Heed all warnings.
- 4 Follow all instructions.
- 5 Do not use this apparatus near water.
- 6 Clean only with dry cloth.
- 7 Do not block any ventilation openings. Install in accordance with the manufacturer’s instructions.
- 8 Do not install near any heat sources such as radiators, heat registers, stoves, or other apparatus (including amplifiers) that produce heat.
- 9 Do not defeat the safety purpose of the polarized or grounding-type plug. A polarized plug has two blades with one wider than the other. A grounding type plug has two blades and a third grounding prong. The wide blade or the third prong are provided for your safety. If the provided plug does not fit into your outlet, consult an electrician for replacement of the obsolete outlet.
- 10 Protect the power cord from being walked on or pinched particularly at plugs, convenience receptacles, and the point where they exit from the apparatus.
- 11 Only use attachments/accessories specified by the manufacturer.
- 12 Use only with the cart, stand, tripod, bracket, or table specified by the manufacturer, or sold with the apparatus. When a cart is used, use caution when moving the cart/apparatus combination to avoid injury from tip-over.
- 13 Unplug this apparatus during lightning storms or when unused for long periods of time.
- 14 Refer all servicing to qualified service personnel. Servicing is required when the apparatus has been damaged in any way, such as power-supply cord or plug is damaged, liquid has been spilled or objects have fallen into the apparatus, the apparatus has been exposed to rain or moisture, does not operate normally, or has been dropped.



WARNING

TO REDUCE THE RISK OF FIRE OR ELECTRIC SHOCK, DO NOT EXPOSE THIS APPARATUS TO RAIN OR MOISTURE.

(UL60065_03)

Information for Users on Collection and Disposal of Old Equipment



This symbol on the products, packaging, and/or accompanying documents means that used electrical and electronic products should not be mixed with general household waste.

For proper treatment, recovery and recycling of old products, please take them to applicable collection points, in accordance with your national legislation and the Directives 2002/96/EC.

By disposing of these products correctly, you will help to save valuable resources and prevent any potential negative effects on human health and the environment which could otherwise arise from inappropriate waste handling.

For more information about collection and recycling of old products, please contact your local municipality, your waste disposal service or the point of sale where you purchased the items.

[For business users in the European Union]

If you wish to discard electrical and electronic equipment, please contact your dealer or supplier for further information.

[Information on Disposal in other Countries outside the European Union]

This symbol is only valid in the European Union. If you wish to discard these items, please contact your local authorities or dealer and ask for the correct method of disposal.

Verbraucherinformation zur Sammlung und Entsorgung alter Elektrogeräte



Befindet sich dieses Symbol auf den Produkten, der Verpackung und/oder beiliegenden Unterlagen, so sollten benutzte elektrische Geräte nicht mit dem normalen Haushaltsabfall entsorgt werden.

In Übereinstimmung mit Ihren nationalen Bestimmungen und den Richtlinien 2002/96/EC, bringen Sie alte Geräte bitte zur fachgerechten Entsorgung, Wiederaufbereitung und Wiederverwendung zu den entsprechenden Sammelstellen.

Durch die fachgerechte Entsorgung der Elektrogeräte helfen Sie, wertvolle Ressourcen zu schützen und verhindern mögliche negative Auswirkungen auf die menschliche Gesundheit und die Umwelt, die andernfalls durch unsachgerechte Müllentsorgung auftreten könnten.

Für weitere Informationen zum Sammeln und Wiederaufbereiten alter Elektrogeräte, kontaktieren Sie bitte Ihre örtliche Stadt- oder Gemeindeverwaltung, Ihren Abfallentsorgungsdienst oder die Verkaufsstelle der Artikel.

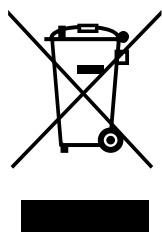
[Information für geschäftliche Anwender in der Europäischen Union]

Wenn Sie Elektrogeräte ausrangieren möchten, kontaktieren Sie bitte Ihren Händler oder Zulieferer für weitere Informationen.

[Entsorgungsinformation für Länder außerhalb der Europäischen Union]

Dieses Symbol gilt nur innerhalb der Europäischen Union. Wenn Sie solche Artikel ausrangieren möchten, kontaktieren Sie bitte Ihre örtlichen Behörden oder Ihren Händler und fragen Sie nach der sachgerechten Entsorgungsmethode.

Information concernant la Collecte et le Traitement des déchets d'équipements électriques et électroniques.



Le symbole sur les produits, l'emballage et/ou les documents joints signifie que les produits électriques ou électroniques usagés ne doivent pas être mélangés avec les déchets domestiques habituels.

Pour un traitement, une récupération et un recyclage appropriés des déchets d'équipements électriques et électroniques, veuillez les déposer aux points de collecte prévus à cet effet, conformément à la réglementation nationale et aux Directives 2002/96/EC.

En vous débarrassant correctement des déchets d'équipements électriques et électroniques, vous contribuerez à la sauvegarde de précieuses ressources et à la prévention de potentiels effets négatifs sur la santé humaine qui pourraient advenir lors d'un traitement inapproprié des déchets.

Pour plus d'informations à propos de la collecte et du recyclage des déchets d'équipements électriques et électroniques, veuillez contacter votre municipalité, votre service de traitement des déchets ou le point de vente où vous avez acheté les produits.

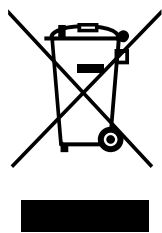
[Pour les professionnels dans l'Union Européenne]

Si vous souhaitez vous débarrasser des déchets d'équipements électriques et électroniques veuillez contacter votre vendeur ou fournisseur pour plus d'informations.

[Information sur le traitement dans d'autres pays en dehors de l'Union Européenne]

Ce symbole est seulement valable dans l'Union Européenne. Si vous souhaitez vous débarrasser de déchets d'équipements électriques et électroniques, veuillez contacter les autorités locales ou votre fournisseur et demander la méthode de traitement appropriée.

Información para Usuarios sobre Recolección y Disposición de Equipamiento Viejo



Este símbolo en los productos, embalaje, y/o documentación que se acompañe significa que los productos electrónicos y eléctricos usados no deben ser mezclados con desechos hogareños corrientes.

Para el tratamiento, recuperación y reciclado apropiado de los productos viejos, por favor llévelos a puntos de recolección aplicables, de acuerdo a su legislación nacional y las directivas 2002/96/EC.

Al disponer de estos productos correctamente, ayudará a ahorrar recursos valiosos y a prevenir cualquier potencial efecto negativo sobre la salud humana y el medio ambiente, el cual podría surgir de un inapropiado manejo de los desechos.

Para mayor información sobre recolección y reciclado de productos viejos, por favor contacte a su municipio local, su servicio de gestión de residuos o el punto de venta en el cual usted adquirió los artículos.

[Para usuarios de negocios en la Unión Europea]

Si usted desea deshacerse de equipamiento eléctrico y electrónico, por favor contacte a su vendedor o proveedor para mayor información.

[Información sobre la Disposición en otros países fuera de la Unión Europea]

Este símbolo sólo es válido en la Unión Europea. Si desea deshacerse de estos artículos, por favor contacte a sus autoridades locales y pregunte por el método correcto de disposición.

For details of products, please contact your nearest Yamaha representative or the authorized distributor listed below.

Pour plus de détails sur les produits, veuillez-vous adresser à Yamaha ou au distributeur le plus proche de vous figurant dans la liste suivante.

Die Einzelheiten zu Produkten sind bei Ihrer unten aufgeführten Niederlassung und bei Yamaha Vertragshändlern in den jeweiligen Bestimmungsländern erhältlich.

Para detalles sobre productos, contacte su tienda Yamaha más cercana o el distribuidor autorizado que se lista debajo.

NORTH AMERICA

CANADA

Yamaha Canada Music Ltd.
135 Milner Avenue, Scarborough, Ontario,
M1S 3R1, Canada
Tel: 416-298-1311

U.S.A.

Yamaha Corporation of America
6600 Orangethorpe Ave., Buena Park, Calif. 90620,
U.S.A.
Tel: 714-522-9011

CENTRAL & SOUTH AMERICA

MEXICO

Yamaha de México S.A. de C.V.
Calz. Javier Rojo Gómez #1149,
Col. Guadalupe del Moral
C.P. 09300, México, D.F., México
Tel: 55-5804-0600

BRAZIL

Yamaha Musical do Brasil Ltda.
Rua Joaquim Floriano, 913 - 4º andar, Itaim Bibi,
CEP 04534-013 Sao Paulo, SP. BRAZIL
Tel: 011-3704-1377

ARGENTINA

Yamaha Music Latin America, S.A.
Sucursal de Argentina
Olga Cossettini 1553, Piso 4 Norte
Madero Este-C1107CEK
Buenos Aires, Argentina
Tel: 011-4119-7000

PANAMA AND OTHER LATIN AMERICAN COUNTRIES/ CARIBBEAN COUNTRIES

Yamaha Music Latin America, S.A.
Torre Banco General, Piso 7, Urbanización Marbella,
Calle 47 y Aquilino de la Guardia,
Ciudad de Panamá, Panamá
Tel: +507-269-5311

EUROPE

THE UNITED KINGDOM

Yamaha Music U.K. Ltd.
Sherbourne Drive, Tilbrook, Milton Keynes,
MK7 8BL, England
Tel: 01908-366700

IRELAND

Danfay Ltd.
61D, Sallynoggin Road, Dun Laoghaire, Co. Dublin
Tel: 01-2859177

GERMANY

Yamaha Music Central Europe GmbH
Siemensstraße 22-34, 25462 Rellingen, Germany
Tel: 04101-3030

SWITZERLAND/LIECHTENSTEIN

Yamaha Music Central Europe GmbH,
Branch Switzerland
Seefeldstrasse 94, 8008 Zürich, Switzerland
Tel: 01-383 3990

AUSTRIA

Yamaha Music Central Europe GmbH,
Branch Austria
Schleiergasse 20, A-1100 Wien, Austria
Tel: 01-60203900

CZECH REPUBLIC/SLOVAKIA/ HUNGARY/SLOVENIA

Yamaha Music Central Europe GmbH,
Branch Austria, CEE Department
Schleiergasse 20, A-1100 Wien, Austria
Tel: 01-602039025

POLAND

Yamaha Music Central Europe GmbH
Sp.z o.o. Oddział w Polsce
ul. 17 Stycznia 56, PL-02-146 Warszawa, Poland
Tel: 022-868-07-57

THE NETHERLANDS/ BELGIUM/LUXEMBOURG

Yamaha Music Central Europe GmbH,
Branch Benelux
Clarissenhof 5-b, 4133 AB Vianen, The Netherlands
Tel: 0347-358 040

FRANCE

Yamaha Musique France
BP 70-77312 Marne-la-Vallée Cedex 2, France
Tel: 01-64-61-4000

ITALY

Yamaha Musica Italia S.P.A.
Viale Italia 88, 20020 Lainate (Milano), Italy
Tel: 02-935-771

SPAIN/PORTUGAL

Yamaha Música Ibérica, S.A.
Ctra. de la Coruna km. 17, 200, 28230
Las Rozas (Madrid), Spain
Tel: 91-639-8888

GREECE

Philippos Nakas S.A. The Music House
147 Skiathou Street, 112-55 Athens, Greece
Tel: 01-228 2160

SWEDEN

Yamaha Scandinavia AB
J. A. Wettergrens Gata 1, Box 30053
S-400 43 Göteborg, Sweden
Tel: 031 89 34 00

DENMARK

YS Copenhagen Liaison Office
Generatorvej 6A, DK-2730 Herlev, Denmark
Tel: 44 92 49 00

FINLAND

F-Musiikki Oy
Kluuvikatu 6, P.O. Box 260,
SF-00101 Helsinki, Finland
Tel: 09 618511

NORWAY

Norsk filial av Yamaha Scandinavia AB
Grini Næringspark 1, N-1345 Østerås, Norway
Tel: 67 16 77 70

ICELAND

Skifan HF
Skeifan 17 P.O. Box 8120, IS-128 Reykjavik, Iceland
Tel: 525 5000

RUSSIA

Yamaha Music (Russia)
Office 4015, entrance 2, 21/5 Kuznetskii
Most street, Moscow, 107996, Russia
Tel: 495 626 0660

OTHER EUROPEAN COUNTRIES

Yamaha Music Central Europe GmbH
Siemensstraße 22-34, 25462 Rellingen, Germany
Tel: +49-4101-3030

AFRICA

Yamaha Corporation,
Asia-Pacific Music Marketing Group
Nakazawa-cho 10-1, Naka-ku, Hamamatsu,
Japan 430-8650
Tel: +81-53-460-2312

MIDDLE EAST

TURKEY/CYPRUS

Yamaha Music Central Europe GmbH
Siemensstraße 22-34, 25462 Rellingen, Germany
Tel: 04101-3030

OTHER COUNTRIES

Yamaha Music Gulf FZE
LOB 16-513, P.O.Box 17328, Jubel Ali,
Dubai, United Arab Emirates
Tel: +971-4-881-5868

ASIA

THE PEOPLE'S REPUBLIC OF CHINA

Yamaha Music & Electronics (China) Co.,Ltd.
25/F., United Plaza, 1468 Nanjing Road (West),
Jingan, Shanghai, China
Tel: 021-6247-2211

HONG KONG

Tom Lee Music Co., Ltd.
11/F., Silvercord Tower 1, 30 Canton Road,
Tsimshatsui, Kowloon, Hong Kong
Tel: 2737-7688

INDIA

Yamaha Music India Pvt. Ltd.
5F Ambience Corporate Tower Ambience Mall Complex
Ambience Island, NH-8, Gurgaon-122001, Haryana, India
Tel: 0124-466-5551

INDONESIA

PT. Yamaha Music Indonesia (Distributor)
PT. Nusantik
Gedung Yamaha Music Center, Jalan Jend. Gatot
Subroto Kav. 4, Jakarta 12930, Indonesia
Tel: 21-520-2577

KOREA

Yamaha Music Korea Ltd.
8F, 9F, Dongsung Bldg. 158-9 Samsung-Dong,
Kangnam-Gu, Seoul, Korea
Tel: 080-004-0022

MALAYSIA

Yamaha Music Malaysia, Sdn., Bhd.
Lot 8, Jalan Perbandaran, 47301 Kelana Jaya,
Petaling Jaya, Selangor, Malaysia
Tel: 3-78030900

PHILIPPINES

Yupangco Music Corporation
339 Gil J. Puyat Avenue, P.O. Box 885 MCPO,
Makati, Metro Manila, Philippines
Tel: 819-7551

SINGAPORE

Yamaha Music Asia Pte., Ltd.
#03-11 A-Z Building
140 Paya Lebar Road, Singapore 409015
Tel: 747-4374

TAIWAN

Yamaha KHS Music Co., Ltd.
3F, #6, Sec.2, Nan Jing E. Rd. Taipei.
Taiwan 104, R.O.C.
Tel: 02-2511-8688

THAILAND

Siam Music Yamaha Co., Ltd.
4, 6, 15 and 16th floor, Siam Motors Building,
891/1 Rama 1 Road, Wangmai,
Pathumwan, Bangkok 10330, Thailand
Tel: 02-215-2626

OTHER ASIAN COUNTRIES

Yamaha Corporation,
Asia-Pacific Music Marketing Group
Nakazawa-cho 10-1, Naka-ku, Hamamatsu,
Japan 430-8650
Tel: +81-53-460-2317

OCEANIA

AUSTRALIA

Yamaha Music Australia Pty. Ltd.
Level 1, 99 Queensbridge Street, Southbank,
Victoria 3006, Australia
Tel: 3-9693-5111

NEW ZEALAND

Music Works LTD
P.O. BOX 6246 Wellesley, Auckland 4680,
New Zealand
Tel: 9-634-0099

COUNTRIES AND TRUST TERRITORIES IN PACIFIC OCEAN

Yamaha Corporation,
Asia-Pacific Music Marketing Group
Nakazawa-cho 10-1, Naka-ku, Hamamatsu,
Japan 430-8650
Tel: +81-53-460-2312

HEAD OFFICE Yamaha Corporation, Pro Audio & Digital Musical Instrument Division
Nakazawa-cho 10-1, Naka-ku, Hamamatsu, Japan 430-8650
Tel: +81-53-460-3273



Yamaha Home Keyboards Home Page
<http://music.yamaha.com/homekeyboard/>

Yamaha Manual Library
<http://www.yamaha.co.jp/manual/>

U.R.G., Pro Audio & Digital Musical Instrument Division, Yamaha Corporation
© 2008 Yamaha Corporation

WP19590 | 809POAP3.2-01A0
Printed in China