

Operator's Manual

**Landscape Rake 60"
Rear Blade 72"**

LR60

RB72

Cub Cadet Yanmar LLC.
P.O. Box 368023
Cleveland, OH 44136

PRINTED IN U.S.A.

Version 1.0
Code No.: 76903317
769-03318

SAFETY

Take note! This safety alert symbol found throughout this manual is used to call your attention to instructions involving your personal safety and the safety of others. Failure to follow these instructions can result in injury or death.



This symbol means:

ATTENTION!

BECOME ALERT!

YOUR SAFETY IS INVOLVED!

Signal Words

Note the use of the signal words DANGER, WARNING and CAUTION with the safety messages. The appropriate signal words for each has been selected using the following guidelines:



DANGER: Indicates an imminently hazardous situation that, if not avoided, will result in death or serious injury.



WARNING: Indicates a potentially hazardous situation that, if not avoided, could result in death or serious injury, and includes hazards that are exposed when guards are removed. It may also be used to alert against unsafe practices.



CAUTION: Indicates a potentially hazardous situation that, if not avoided, may result in minor or moderate injury.

INDEX

1 - GENERAL INFORMATION	4
1.01 - General Information	4
1.02 - Model and Serial Number ID	4
2 - SAFETY PRECAUTIONS	6
2.01 - Preparation	6
2.02 - Operational Safety	7
2.03 - Messages and Signs	7
3 - OPERATION	10
4 - MAINTENANCE	12
4.01 - Maintenance Safety	12
4.02 - Service	12
4.03 - Specifications	13
5 - PRE-DELIVERY CHECKLIST	14
6 - PARTS MANUAL	15

1 - GENERAL INFORMATION

Thank you and congratulations for having chosen our implement. Read this manual carefully. It will instruct you on how to operate and service your machine safely and correctly. Failure to do so could result in personal injury and /or equipment damage.

Safety is the primary concern in the design and manufacture of our products. Unfortunately our efforts to provide safe equipment can be wiped out by a single careless act of and operator.

In addition to the design and configuration of equipment, hazard control and accident prevention are dependent upon the awareness , concern, prudence, and proper training of personnel involved in the operation, transport, maintenance, and storage of equipment.

It is the operator's responsibility to read and understand all safety and operating instructions in the manual and to follow these.

Allow only properly trained personnel to operate the machine. Working with unfamiliar equipment can lead to careless injuries. Read this manual, and the manual for your tractor, before assembly or operating, to acquaint yourself with the machines. It is the implement owners responsibility, if the machine is used by any person other than yourself, is loaned or rented, to make certain that the operator , prior to operating, reads and understands the operator's manuals and is instructed in safe and proper use.

1.01 - General Information



CAUTION: Right hand and left hand sides of the implement are determined by facing in the direction the implement will travel when going forward.

1.02 - Model and Serial Number ID

Attached to the frame is an ID plate showing the model and the serial number. Record your implement model and serial number in the space provided below. Your local store needs this information to give you prompt, efficient service when you order parts.

Model #:	<input type="text"/>
Serial #:	<input type="text"/>

Carefully read the warranty section¹ detailing coverage and limitations of this warranty.

¹ See chapter 6 - Warranty.

Warranty is provided for customers who operate and maintain their equipment as described in this manual. Warranty registration is accomplished by the dealer completing and forwarding the **Warranty Registration Form** to the Company, along with a copy of the dealer's invoice. It is in your best interest to insure that this has been done.

Warranty does not cover the following:

1. Cleaning, transporting, mailing and service call charges.
2. Normal wear items such as belts, blades, bearings, drive lines, shear pins, slip clutches, tires, etc.
3. Depreciation or damage caused by normal wear, accidents, improper maintenance, improper protection or improper use.
4. The use of non original spare parts and accessories.

Your Authorized Company Dealer has genuine parts in stock. Only these approved replacement parts should be used.

This limited warranty covers defective material and workmanship. The cost of normal maintenance or repairs for accidents or improper use and related labor will be borne by the owner.

2 - SAFETY PRECAUTIONS

Safety is the primary concern in the design and manufacture of our products. Unfortunately our efforts to provide safe equipment can be wiped out by a single careless act of an operator.

In addition to the design and configuration of equipment, hazard control and accident prevention are dependent upon the awareness, concern, prudence and proper training of personnel involved in the operation, transport, maintenance and storage of equipment.

It is the operator's responsibility to read and understand all safety and operating instructions in the manual and to follow these.

Allow only properly trained personnel to operate the equipment. Working with unfamiliar equipment can lead to careless injuries. Read this manual, and the manual for your tractor, before assembly or operating, to acquaint yourself with the machines. It is the implement owner's responsibility, if this machine is used by any person other than yourself, is loaned or rented, to make certain that the operator, prior to operating, reads and understands the operator's manuals and is instructed in safe and proper use.

2.01 - Preparation



1. Before operating equipment read and understand the operator's manual and the safety signs (**see fig. 2**).
2. Thoroughly inspect the implement before initial operation to assure that all packaging materials, i.e. wires, bands, and tape have been removed.
3. Personal protection equipment including hard hat, safety glasses, safety shoes, and gloves are recommended during assembly, installation, operation, adjustment, maintaining and/or repairing the implement.
4. Operate the implement only with a tractor equipped with an approved Roll-Over-Protective-System (ROPS). Always wear your seat belt. Serious injury or even death could result from falling off the tractor.
5. Clear area to be cut of stones, branches or other debris that might be thrown, causing injury or damage.
6. Operate only in daylight or good artificial light.
7. Ensure implement is properly mounted, adjusted and in good operating condition.
8. Ensure that all safety shielding and safety signs are properly installed and in good condition.

2.02 - Operational Safety

1. All bystanders need to stay clear of implement while in operation.
2. Operate machine only in daylight or good artificial light.
3. Ensure that hands and feet are clear of machine while tractor is running.
4. Comply with all state and local lighting and marking requirements.
5. At no time should riders be allowed on equipment.
6. Operator should be properly seated on tractor when operating controls or starting engine. Transmission should be in neutral or park, emergency brake engaged, and ensure that all other controls are disengaged before dismounting tractor.
7. Be sure that ground under tractor and to the rear are clear before operating in reverse.
8. Tractor and implement should not be used on steep slopes.
9. Do not change directions, stop, or start on slopes.
10. Extreme caution and reduction of ground speed should be used on slopes or rough terrain.
11. Keep alert for unseen hazards such as holes and ruts during operation.
12. If tractor or implement strikes and obstruction, stop immediately, turn off motor and remove key. Inspect machine and repair if needed prior to resuming operation.
13. Before working underneath equipment ensure that equipment is properly blocked.
14. Do not allow children or unqualified persons to operate implement.
15. Read and adhere to all safety and operating decals on this machine.

2.03 - Messages and Signs



1. Read and adhere to all safety and operating decals on this machine (**see fig. 2**).
2. Before dismounting tractor: allow moving parts to stop, stop engine, set brake and remove the key of unattended equipment.
3. Keep away from rotating blades and driveline.
4. Keep guards and shields in place and in good condition.
5. Do not use with bystanders in area.
6. Allow no riders on tractor.
7. Allow moving parts to stop before repair.
8. Securely support implement before working underneath.

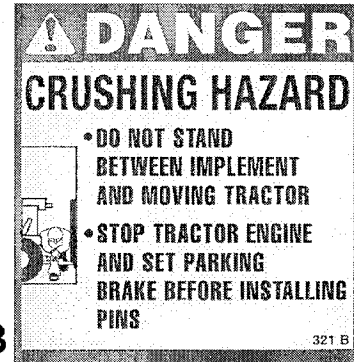
Additional warning and operating decals are available at no extra charge. Please specify model and serial number when ordering.

Additional warning and operating decals are available at no extra charge. Please specify model and serial number when ordering.

Fig. 2 - Safety decals; Replace immediately if damaged



1



3

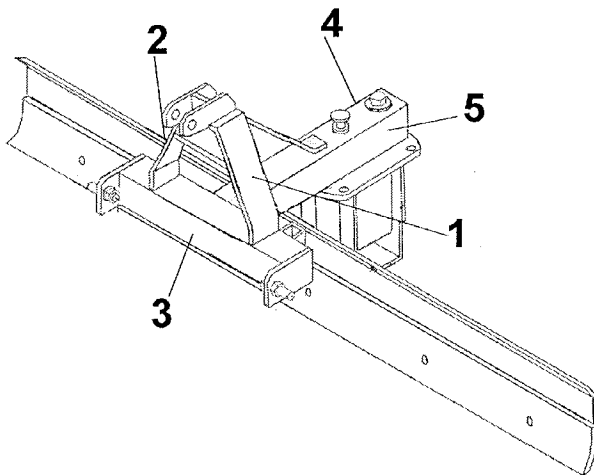
2



4



5



3 - OPERATION

3.01 - Set-up

1. Rear blade or landscape rake are designed to be mounted on a category 1 hitch.
2. Tractor draw bar should be removed to eliminate interference with rake or blade.
3. Tractor's lower 3 pt. lift arms should be placed on mounting pins and secured with lynch pins. Connect top link to A-frame by inserting clevis pin and secure with cotter pins.

IMPORTANT

MAKE SURE BLADE IS AT LEAST 6" FROM TRACTOR TIRES THROUGHOUT THE COMPLETE RANGE OF THREE POINT MOTION.

3.02 - Frame Adjustments and Operating Techniques

Reversing or Angling
(Blade or Rake)

1. The implement may be rotated 360 degrees with a total of 10 settings. Five forward grading and 5 for back filling. This can be accomplished without disconnecting from most tractors.
2. The implement must be lifted off of the ground in order to angle the machine. In order to angle, swivel pin must be pulled out. Blade or rake must be set at desired angle and then replace pin
3. In order to reverse implement, pivot bolt must be removed. Turn the implement 180 degrees, then reinstall pivot bolt.

Offsetting
(Blade only)

The rear blade can be offset right or left. The 5' blade can be offset up to 6". The 6' blade can be offset up to 12". The 7' blade can be offset up to 12". In order to offset blade, bolts that attach swivel to mold board must be removed. Offset mold board to desired setting and replace hex bolts.

Tilting
(Blade only)

The rear blade can be tilted 14 degrees right or left. Pull out tilt pin and replace when blade is set at desired angle.



CAUTION: Depending on size of tractor, you may not be able to tilt an 8' rake and still be able to raise high enough to clear ground surface during transport.

Cutting Ditches

(Blade only)

The blade must be offset to the right or left. Then angle the blade to bring the lower end forward, bringing the lower point of the blade near the centerline of the tractor tire footprint.

Back Filling

(Blade or Rake)

The blade must be reversed in order to back fill trenches or ditches. The rake can only be used for back filling in light duty situations.

4 - MAINTENANCE



DANGER: Stop engine, lock parking brake and remove key before performing any service or maintenance.

Never rely on the tractor lift system. Install blocks or stands under the machine to prevent it from falling. Always use personal protection devices, such as glasses or gloves when performing maintenance.

Keep fingers out of slots to prevent injury.

4.01 - Maintenance Safety



CAUTION

Do not wear loose fitting clothing when performing maintenance. This is to avoid becoming entangled in moving parts. Always wear safety shoes, eye, hands, hearing, and head protection.



WARNING

When lowering rake or blade to the ground, ensure that tractor is off and key has been removed prior to performing any service or maintenance.

Both rake and blade should be properly blocked before working underneath.

4.02 - Service

HARDWARE SECURITY

Implement should be periodically checked for and loose, damaged, or missing hardware.

RAKE TINE REPLACEMENT

Rake tines should be replaced when either broken or have lost their original shape and cannot be reformed. Remove carriage bolts and nuts. Remove old tine and replace.

1. Unauthorized modifications to the machine may impair the function and/or safety of the machine and reduce its life. If equipment has been altered in any way from original design, the manufacturer does not accept any liability for injury or warranty.

4.03 - Specifications

	BLADES	RAKES
Width.....	6 foot (RB72)	5 foot(LR60)
Tractor Size.....	Maximum 40 HP drawbar rated, Cat.1 hitch	
Settings.....	Angle 360 degrees, 12 positions; Offset 6" left or right of tractor on 5 foot blade Offset 12" left or right of tractor on 6 foot blade Offset 6" or 12" left or right of tractor on 7 foot blade Horizontal angling of 16 and 32 degrees in both directions Vertical angling of 14 degrees in both directions	
Blade Cutting Edge.....	1/2" x 6" High Carbon steel	
Rake Teeth	5/16" x1" Spring Steel, heat-treated	

5 - PRE-DELIVERY CHECKLIST

To the dealer: inspect the machine thoroughly after assembly to assure it is functioning properly before delivering it to the customer. The following checklist is a reminder of points to cover. Check off each item as it is found satisfactory or after proper adjustment is made.

- All hardware properly tightened.
- All decals properly located and readable (**see fig. 2**).
- Blades properly installed, blade bolts & nuts tightened.
- Overall condition (touch up scratches, clean and polish).
- Test run, check for excessive vibration or overheating of bearings.
- Operator's Manual.

Review the operator's manual with the customer. Explain the following:

- Warranty.
- Safe operation and service.
- Correct machine installation and operation.
- Daily and periodic maintenance and inspections.
- Troubleshooting.
- Operational procedures and storage.
- Parts and service.
- Remove and fill out the Delivery and Warranty Registration form.
- Give customer the operator's manual and encourage the customer to read the manual carefully.

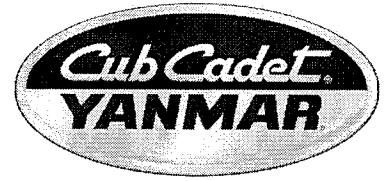
IMPORTANT: Warranty is not valid unless Delivery and Warranty Registration Form in operator's manual is completed in detail and mailed to the Company.

Model Number: _____

Serial Number: _____

Delivery Date: _____

Dealer's Signature: _____



6 - PARTS MANUAL

Landscape Rake 60” Rear Blade 72”

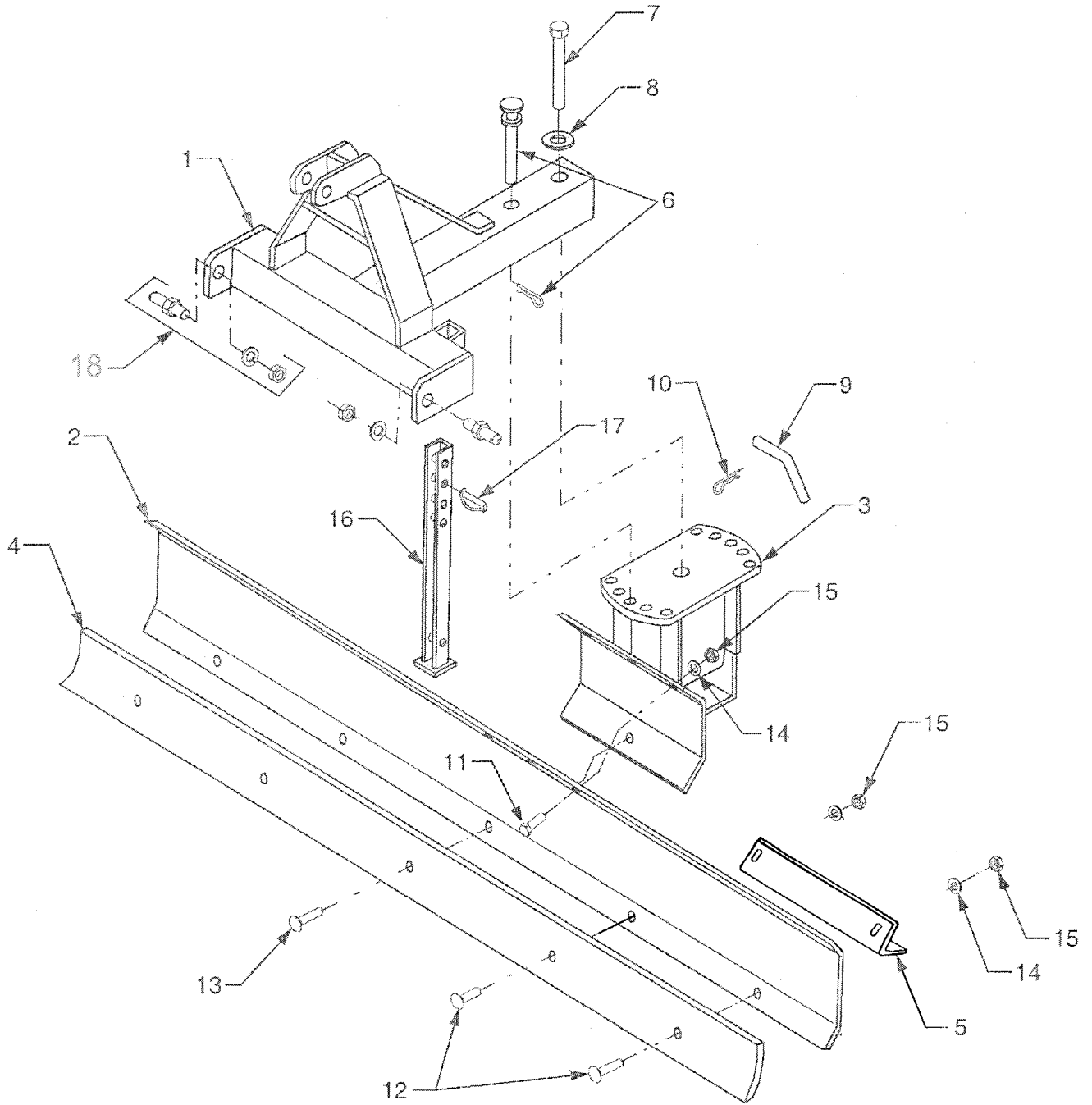
LR60

RB72

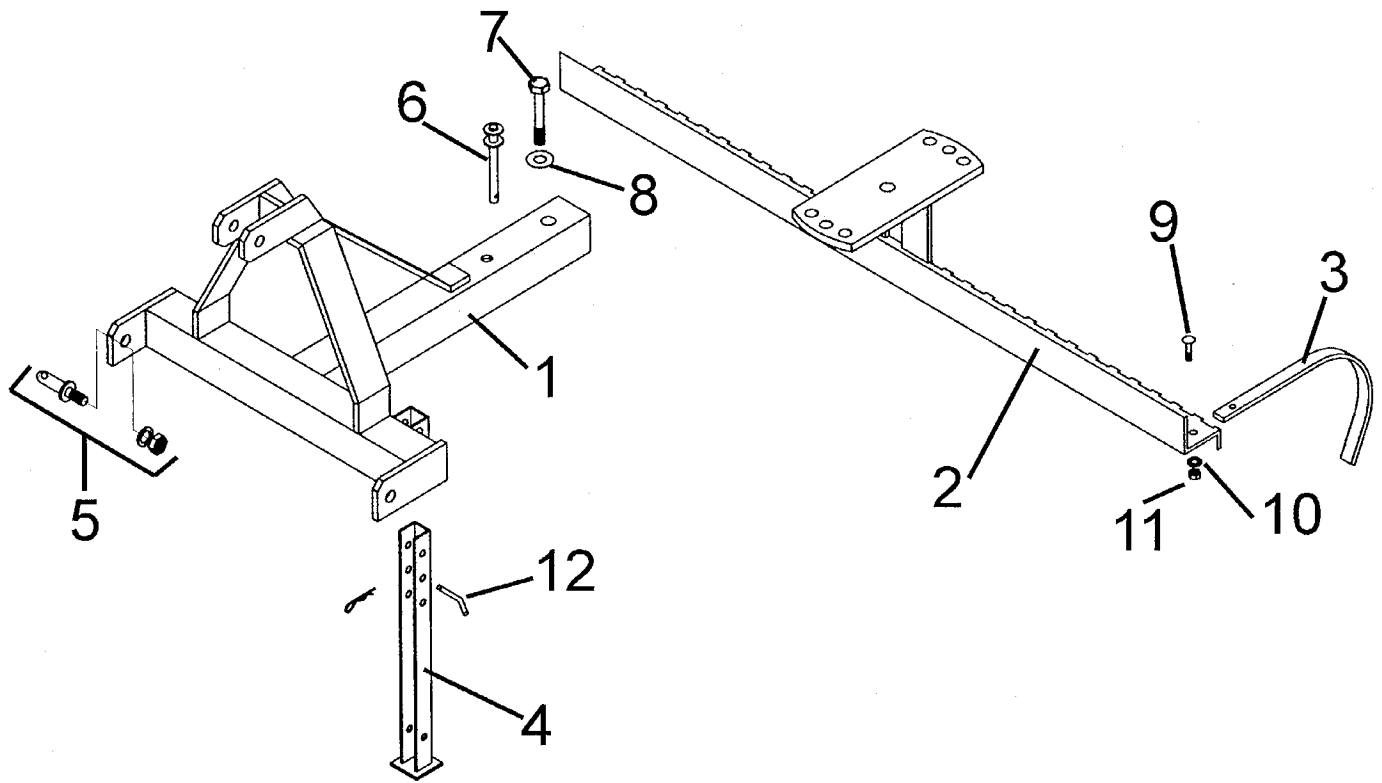
Cub Cadet Yanmar LLC.
P.O. Box 368023
Cleveland, OH 44136

PRINTED IN U.S.A.

Version 1.0
Code No.:76903317
769-03318

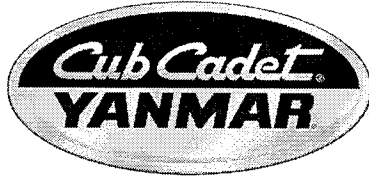


Ref.	Part #	Part Description	Qty.
1	006-9500	A FRAME	1
2	026-9501	MOLD BOARD 6'	1
3	006-9502	SWIVEL	1
4	036-9019	SCRAPER BLADE 6'	1
5	006-9400	SKID SHOE (OPTIONAL)	2
6	006-9616	SWIVEL PIN w/COTTER	1
7	006-9505	1"X6" HEX BOLT PLATED	1
8	006-9513	1" ID FLAT WASHER	1
9	503-656B	BENT PIN	1
10	503-657B	COTTER PIN	1
11	006-9509	5/8"-11X2" HEX BOLT PLATED	-
12	503-651B	5/8"-11x1.5" PLOW BOLT	-
13	503-650B	5/8"X2" GR5 PLOW BOLT ZINC	-
14	502-866B	5/8" LOCKWASHER	-
15	502-865B	5/8" HEX NUT	-
16	006-9608	FOOT STAND	1
17	501-684B	LOCK PIN	1
18	943-008B	7/8" HITCH PIN W/ LW AND NUT	2



Ref.	Part #	Part Description	Qty.
1	006-9501	A FRAME	1
2	006-9601	WELDED SWIVEL 5'	1
3	503-925B	RAKE TINE	30
4	006-9608	FOOT STAND	1
5	943-008B	7/8" HITCH PIN W/ LW AND NUT	2
6	006-9616	SWIVEL PIN W/ COTTER	1
7	503-921B	3/4" X 5" HEX BOLT PLATED	1
8	503-922B	3/4" ID FLAT WASHER	1
9	503-924B	3/8"-16X1" CARRAIGE BOLT	-
10	006-9619	3/8" LOCKWASHER	-
11	006-9620	3/8" HEX NUT	-
12	501-684B	LOCK PIN	1





Landscape Rake 60" & Rear Blade 72"

LR60 & RB72

Cub Cadet Yanmar LLC.
P.O. Box 368023
Cleveland, OH 44136