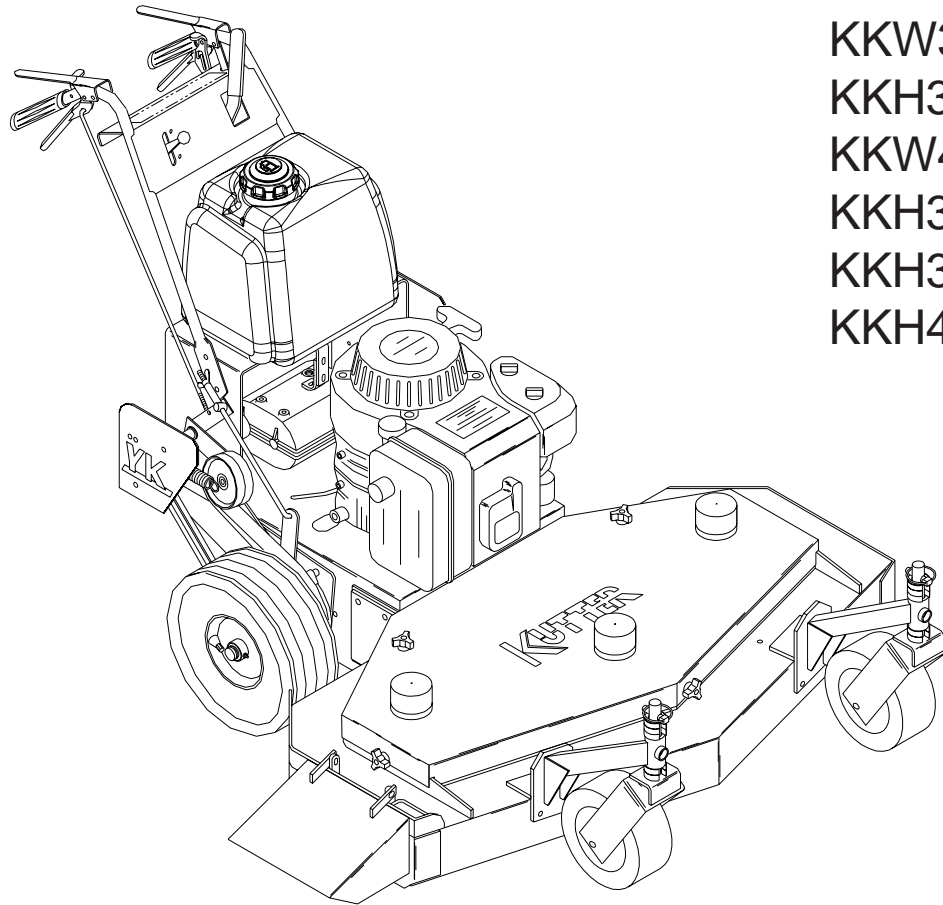


YAZOO/KEES

Parts Manual for
MODELS: KKW32132
KKW36132
KKH36132
KKW48152
KKH32132
KKH36152
KKH48152



Professional Quality Lawn Care Equipment
since 1945

Yazoo/Kees Power Equipment policy is to improve its products whenever it is possible and practical to do so. In an effort to keep pace with changes in technology, Yazoo/Kees reserves the right to make changes or improvements at any time without incurring any obligation to make such changes on products previously manufactured.

MODEL NUMBER _____

SERIAL NUMBER _____

DATE PURCHASED _____

DEALER ADDRESS _____

NOTES _____

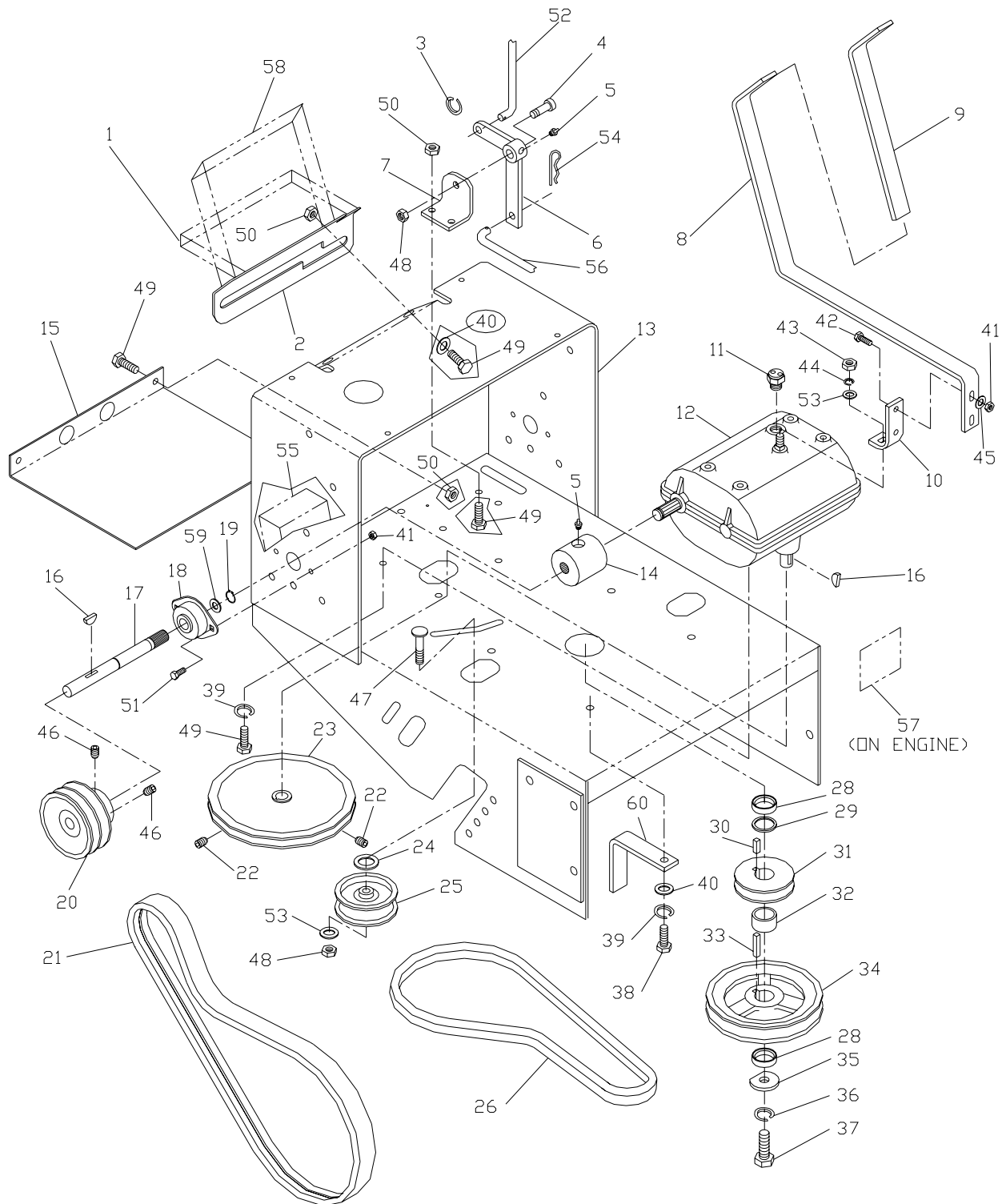
Lined area for notes, consisting of 24 horizontal lines.

CONTENTS

SECTION	PAGE
TRANSMISSION & SHIFTER GROUP-32", 36" & 48" MODELS	4 & 5
WHEEL DRIVE & AXLE ASSEMBLY-32", 36", & 48" MODELS	6 & 7
TRACTION WHEEL ASSEMBLY-36" & 48" MODELS	8 & 9
TRACTION WHEEL ASSEMBLY-32" MODELS	10 & 11
48" FRONT DECK	12 & 13
32" & 36" FRONT DECK	14 & 15
CUTTER HOUSING ASSEMBLY	16 & 17
UPPER HANDLE	18 & 19
FRONT CASTER ASSEMBLY	20 & 21
WIRING HARNESS	22 & 23
TRANSMISSION	24 & 25

TRANSMISSION & SHIFTER GROUP

32", 36", & 48" MODELS



TRANSMISSION & SHIFTER GROUP

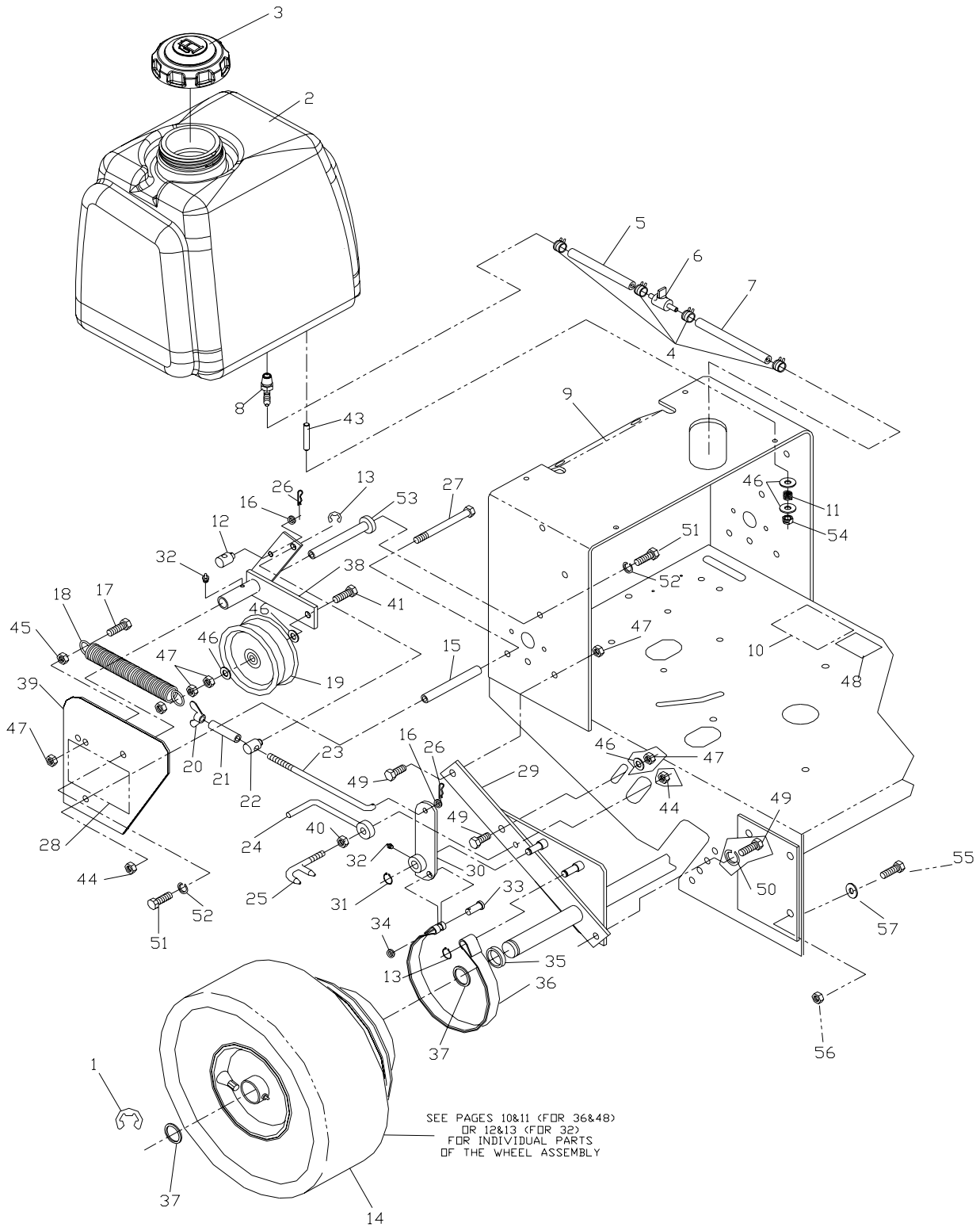
32", 36", & 48" MODELS

ITEM	PART NO.	QTY.	DESCRIPTION
1	100277	1	DECAL,SHIFTER
2	101960	1	SHIFTER PLATE
3	916459	1	RETAINER
4	100150	1	SB 1/2C X 3/4
5	976998	3	ZERK 1/4-28 STRHT
6	100066	1	BELLCRANK
7	101930	1	BRACKET
8	101961	1	SHIFTER ARM
9	101965	1	SHIFTER GRIP
10	102165	1	SHIFTER BRKT.
11	100148	1	TRANS. SWITCH
12	102162	1	TRANSMISSION
13	102059	1	REAR DECK W/DECALS
14	102164	2	COUPLING
15	100352	1	LOWER BELT SHIELD
16	910211	3	#9 WOODRUFF KEY
17	102163	2	DRIVE SHAFT
18	101967	2	BEARING
19	101971	2	RETAINERRING
20	101954	2	DRIVE PULLEY(36&48)
	102154	2	DRIVE PULLEY(32)
21	110859	2	DRIVE BELT(36&48)
	102149	2	DRIVE BELT(32)
22	101988	2	1/4-20 NYLOC SETSCW.
23	101964	1	INPUT PULLEY
24	990550	1	1/2 FLAT WASHER STD
25	919078	1	IDLER PULLEY
26	101957	1	BELT, TRANSMISSION
27	102036	1	BELT GUIDE(NOT SHN.)
28	921960	2	SPACER
29	102050	1	MACH. BUSHING
30	102067	1	KEY 1/4SQ. X 3/4
31	919148	1	PULLEY
32	101720	1	SPACER
33	101995	1	KEY 1/4SQ. X 1 1/8
34	101834	1	ENGINE PULLEY
35	106504	1	HEAVY WASHER

ITEM	PART NO.	QTY.	DESCRIPTION
36	990247	1	SLW 7/16 STD
37	100142	1	HCS M10-1.5 X 35MM
	100141	1	HCS 7/16F X 1.5(KOHLER)
38	977692	4	HTB M8-1.125 X 25MM
	100567	4	HCS M8-1.25 X 30MM(KOHLER)
39	990187	8	SLW 5/16 STD
40	990692	6	5/16 FW STD
41	990761	6	HLN 1/4C
42	977761	2	HCS 1/4C X 1
43	990155	1	NUT 3/8F
44	990118	1	SLW 3/8 STD
45	990598	2	FW 1/4 STD
46	976956	4	5/16 NYLOC SETSCW
		2	(32" MODELS)
47	100145	1	RHSNB 3/8C X 2
48	990546	2	HLN 3/8C CENTER P.
49	976934	10	HCS 5/16C X 3/4
50	990184	6	HLN 5/16C
51	990072	4	HCS 1/4C X 5/8
52	101972	1	BLADE ROD
53	990517	2	FW 3/8 STD
54	976989	1	#4 HAIRPIN
55	105744	1	DECAL, BELT DRIVE
56	102031	1	BLADE ROD 48"
	102048	1	BLADE ROD 36"
57	100128	1	EXHAUST DECAL
58	102047	1	DECAL, CLUTCH
59	991043	2	MACH. BUSHING
60	103462	2	BELT GUIDE, LONG
			48" MODELS
		1	32" & 36" MODELS
61	103463	1	BELT GUIDE, SHORT
			(NOT SHOWN) 32" & 36" MODELS

WHEEL DRIVE & AXLE ASSEMBLY

32", 36", & 48" MODELS



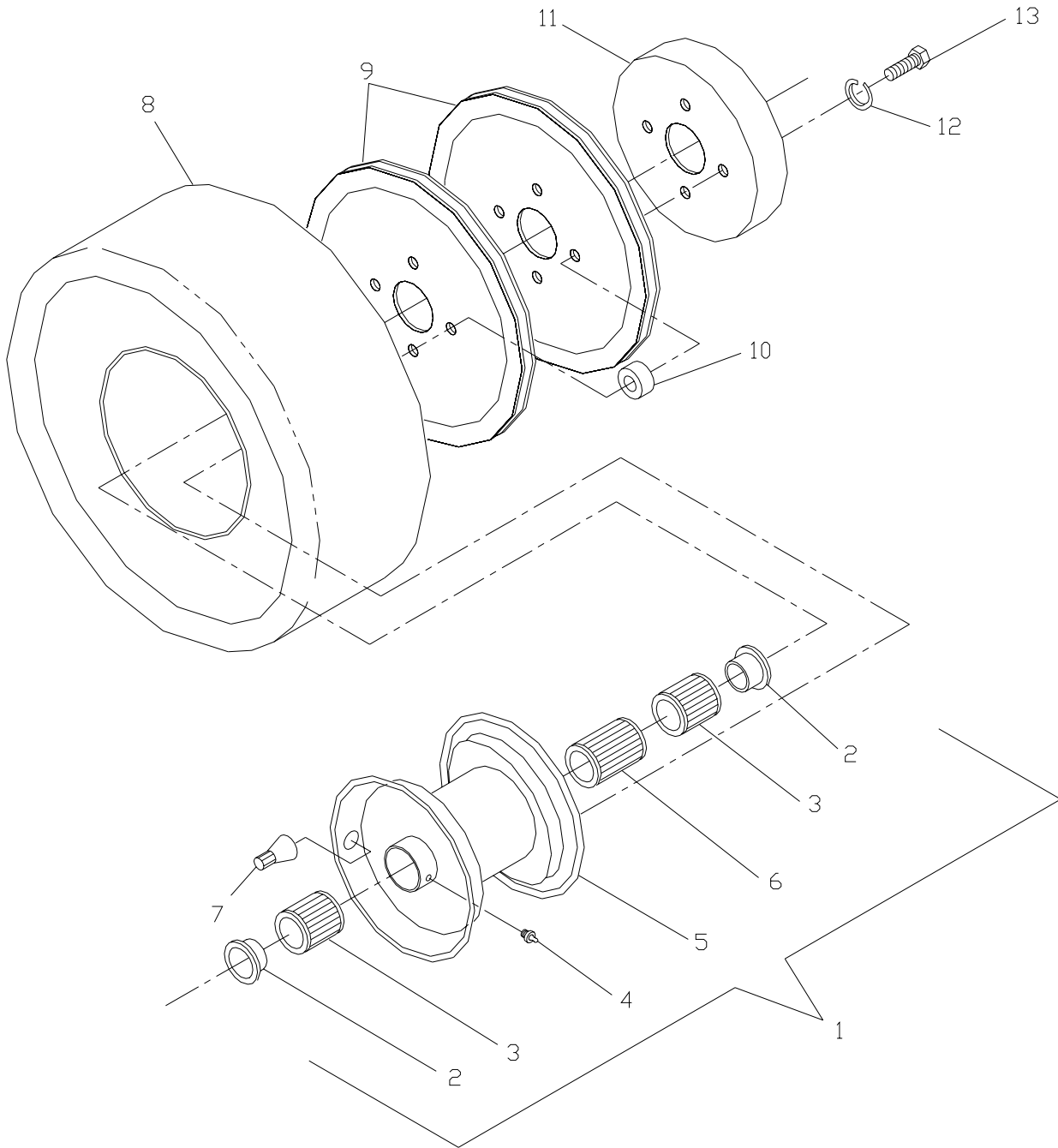
WHEEL DRIVE & AXLE ASSEMBLY

32", 36", & 48" MODELS

ITEM	PART NO.	QTY	DESCRIPTION
1	912730	2	1" E-RING
2	105630	1	FUEL TANK
3	106188	1	GAS CAP
4	912222	4	HOSE CLAMP
5	932956	1	10" GAS LINE
6	916325	1	FUEL VALVE
7	932956	1	10" GAS LINE
	104993	1	14" GAS LINE(KOHLER)
8	102650	1	HOSE BARB
9	106583	1	REAR DECK W/DECALS
10	101891	1	DECAL, WARNING
11	102845	4	SPRING
12	976434	2	SWIVEL(SHORT)
13	990870	4	3/8" E-RING
14	104758	2	WHEEL ASM.(36&48) (WITH BRAKE DRUM & PULLEYS)
	104714	2	WHEEL ASM.(32) (WITH BRAKE DRUM & PULLEYS)
15	101992	2	LONG SPACER
16	990692	12	5/16 FW STD
17	976941	2	HCS 3/8C X 1 1/4
18	101977	2	SPRING
19	101955	2	IDLER PULLEY
20	100276	2	5/16C NYLOC WINGNUT
21	100097	2	SPACER
22	101940	2	SWIVEL
23	101939	2	BRAKE ROD
24	101973	2	BELT GUIDE
25	102035	2	SCRAPER(36 & 48)
	102155	2	SCRAPER(32)

ITEM	PART NO.	QTY.	DESCRIPTION
26	976988	4	#2 HAIRPIN
27	990145	2	HCS 5/16C X 5
28	103424	2	DECAL, YAZOO/KEES
29	101931	1	AXLE WLDMT(36&48)
	102152	1	AXLE WLDMT(32)
30	101934	1	BRAKE ARM
31	101949	2	1/2" E-RING
32	976998	4	ZERK 1/4-28 STRHT
33	102049	2	CLEVIS PIN
34	913847	2	BOLT RETAINER 3/8
35	921960	2	SPACER
36	101945	2	BRAKE BAND
37	916561	4	MACH. BUSHING
38	102169	1	IDLER PLATE, LT
	102168	1	IDLER PLATE, RT
39	101969	2	FENDER
40	990585	2	HFLN 5/16C
41	101350	2	3/8C X 3 TAPBOLT
43	102502	4	STUD
44	990184	4	HLN 5/16C
45	990613	2	HFLN 3/8C
46	990517	8	FW 3/8 STD
47	990546	12	HLN 3/8C CENTER P.
48	101881	1	DECAL, PROP. 65
49	990563	6	HCS 3/8C X 1
50	990118	2	SLW 3/8 STD
51	990209	4	HCS 5/16C X 1
52	990187	4	SLW 5/16 STD
53	102188	2	SHOULDER PIVOTTUBE
54	990717	4	NUT 5/16 NYLOC
55	101175	6	HCS, 7/16C X 1 1/2
56	990839	6	NUT, 7/16C, CENTER LOCK
57	104864	6	WASHER, 7/16

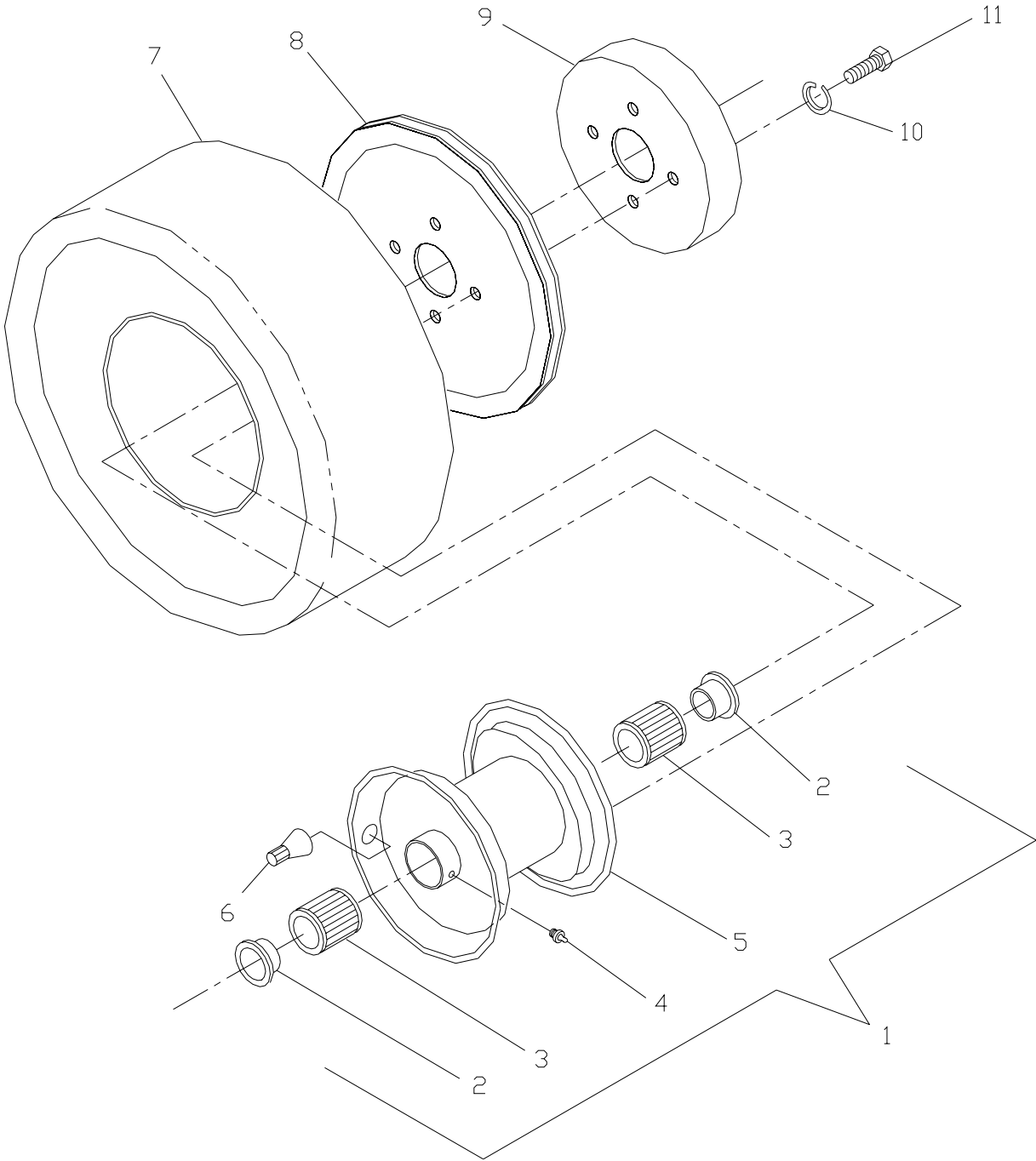
TRACTION WHEEL ASSEMBLY 36" & 48" MODELS



TRACTION WHEEL ASSEMBLY 36" & 48" MODELS

ITEM	PART NO.	QTY.	DESCRIPTION
1	104758	1	WHEELASM. (INCLUDES ITEMS 2 THRU 8)
2	100395	2	ENDCAP
3	102161	2	ROLLER BEARING (SHORT)
4	976998	1	ZERK 1/4-28 STRHT
5	104759	1	RIM (INCLUDES ITEMS 4 & 7)
6	100393	1	ROLLER BEARING (LONG)
7	912234	1	AIR VALVE
8	923788	1	TIRE
9	938473	2	TRACTION PULLEY
10	923515	4	SPACER
11	101946	1	BRAKE DRUM
12	990118	4	SLW 3/8 STD
13	990164	4	HCS 3/8F X 1 1/2

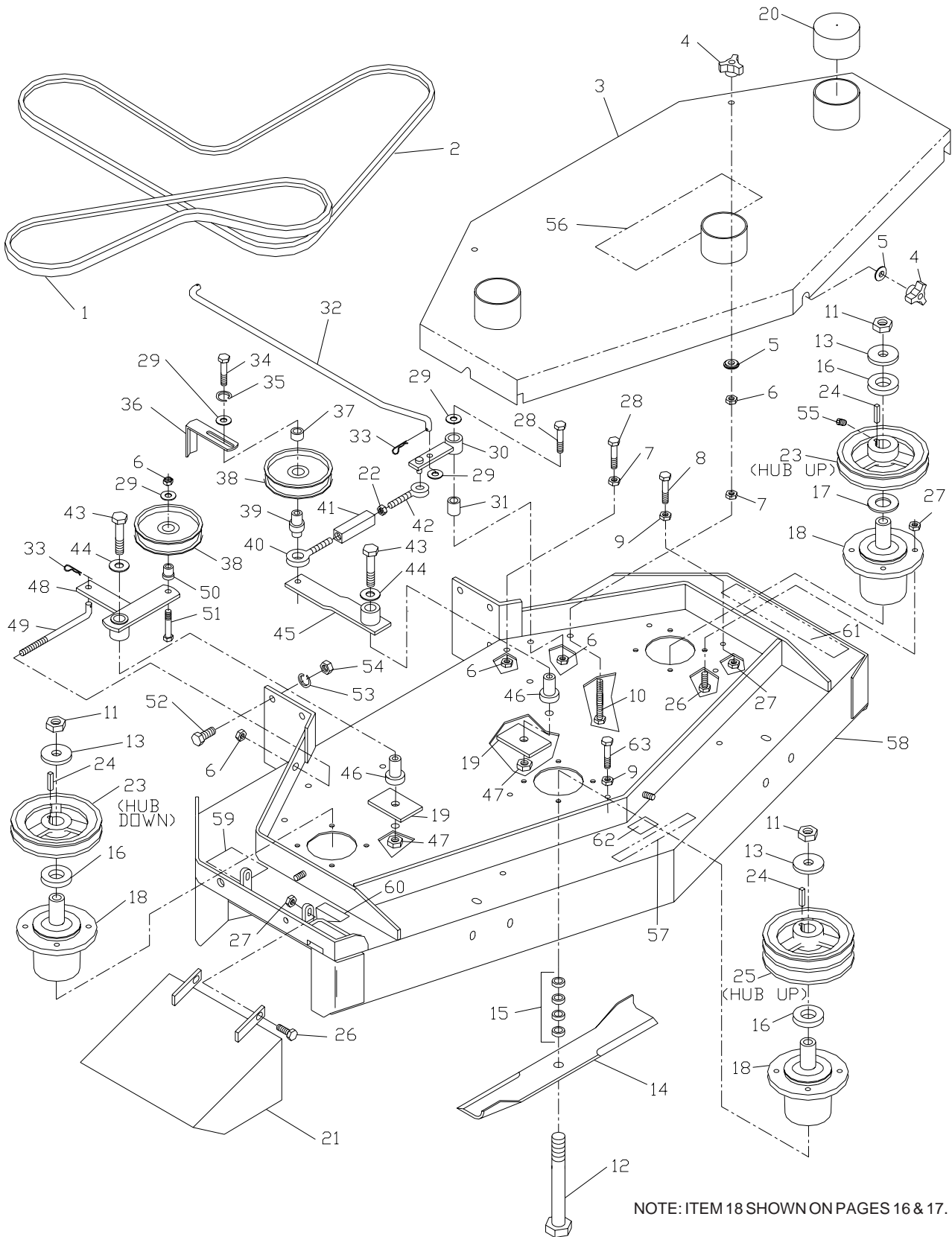
TRACTION WHEEL ASSEMBLY 32" MODELS



TRACTION WHEEL ASSEMBLY 32" MODELS

ITEM	PART NO.	QTY.	DESCRIPTION
1	104714	1	WHEEL ASM. (INCLUDES ITEMS 2 THRU 7)
2	100395	2	ENDCAP
3	100393	2	ROLLER BEARING
4	976998	1	ZERK 1/4-28 STRHT
5	104716	1	RIM (INCLUDES ITEMS 4 & 6)
6	912234	1	AIR VALVE
7	977222	1	TIRE
8	976522	1	TRACTION PULLEY
9	101946	1	BRAKE DRUM
10	990118	4	SLW 3/8 STD
11	977748	4	HCS 3/8 F X 3/4

48" FRONT DECK

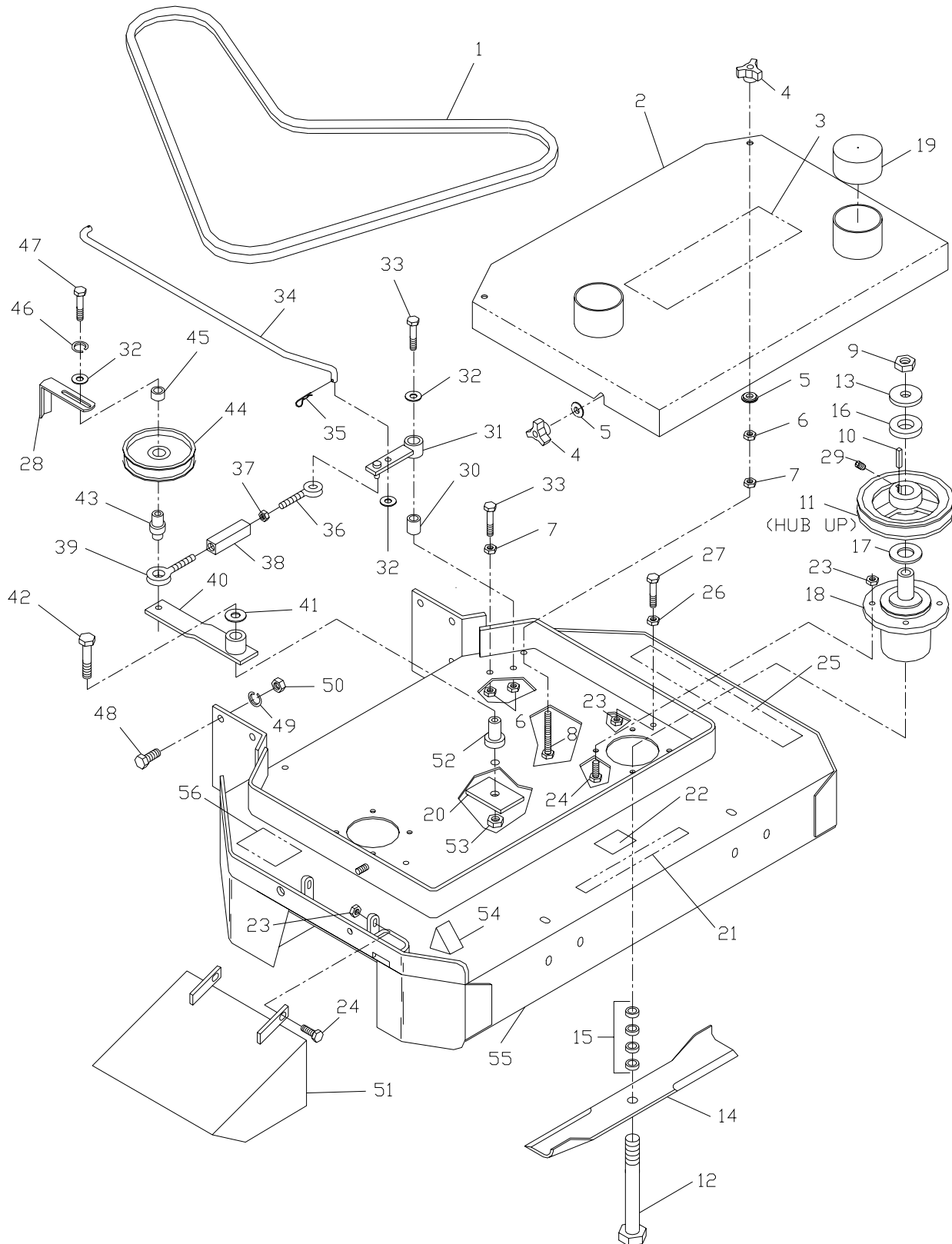


48" FRONT DECK

ITEM	PART NO.	QTY.	DESCRIPTION
1	100024	1	AUX. BLADE BELT
2	101958	1	BLADE BELT 48
3	102317	1	48" BELT SHIELD
4	102070	5	THREE PRONG KNOB
5	102056	5	3/8 SEALING WASHER
6	990546	6	HLN 3/8C
7	990613	6	HFLN 3/8C
8	990553	4	HCS 5/16CX3(BELT GUIDE)
9	990585	7	HFLN 5/16C
10	102334	2	TAPBOLT-3/8C X 4 1/2
11	976980	3	HN 5/8F
12	102332	2	HCS 5/8F X 8 1/2
	101100	1	HCS 5/8FX9(CENTER)
13	106504	3	SUPPORT WASHER
14	100340	3	BLADE 16 1/4"
15	976436	12	BLADE SPACERS
16	102245	3	SPACER
17	102675	1	MACH. BUSHING 10 GA.
18	107418	3	HOUSING ASM.
19	102236	2	PAD
20	102320	3	TUBE CAP
21	100346	1	DEFLECTOR CHUTE
22	990196	1	5/16C HEX NUT
23	976398	2	PULLEY W/SETSCREWS
24	101995	3	1/4SQ. KEY X 1 1/8
25	101819	1	DOUBLE PULLEY W/SETS.
26	990209	14	HCS 5/16C X 1
27	990184	21	HLN 5/16C
28	990629	2	HCS 3/8C X 2 1/4
29	990517	4	FW 3/8 STD
30	101979	1	ENGAGEMENT ARM
31	101836	1	SLEEVE BUSHING
32	102031	1	BLADE ROD 48"
33	976988	2	#2 HAIRPIN
34	990637	1	HCS 3/8C X 2 1/2
35	990118	1	3/8 LOCK WASHER
36	100075	1	SNUBBER
37	102656	1	SPACER
38	976688	2	IDLER PULLEY
39	101980	1	EYEBOLT PIVOT
40	101981	1	LEFT HANDEYEBOLT

ITEM	PART NO.	QTY.	DESCRIPTION
41	101983	1	TURNBUCKLE
42	101982	1	RH. EYEBOLT
43	101332	2	HCS 1/2C X 2 3/4
44	990550	3	1/2 FLAT WASHER
45	101978	1	ARM WLDMT
46	101231	2	IDLER SPINDLE
47	101331	2	1/2C NYLOC NUT
48	102237	1	AUX. IDLER ARM
49	102337	1	TENSION ROD
50	976695	1	IDLER FLANGE BUSHING
51	990730	1	HCS 3/8C X 1 3/4
52	101175	6	HCS 7/16C X 1 1/2
53	990247	6	7/16 LOCK WASHER
54	990449	6	7/16C HEX NUT
55	976956	6	5/16 NYLOC SETSCREW
56	110766	1	DECAL, KUTTER(LARGE)
57	102063	1	DECAL, COMMERCIAL
58	102330	1	48" DECK W/DECALS
59	105746	1	DECAL, SEVERING
60	913010	1	DECAL, CPSC
61	103420	1	DECAL, YAZOO/KEES
62	101369	1	DECAL, 48
63	102335	3	HCS 5/16C X 4

32" & 36" FRONT DECK

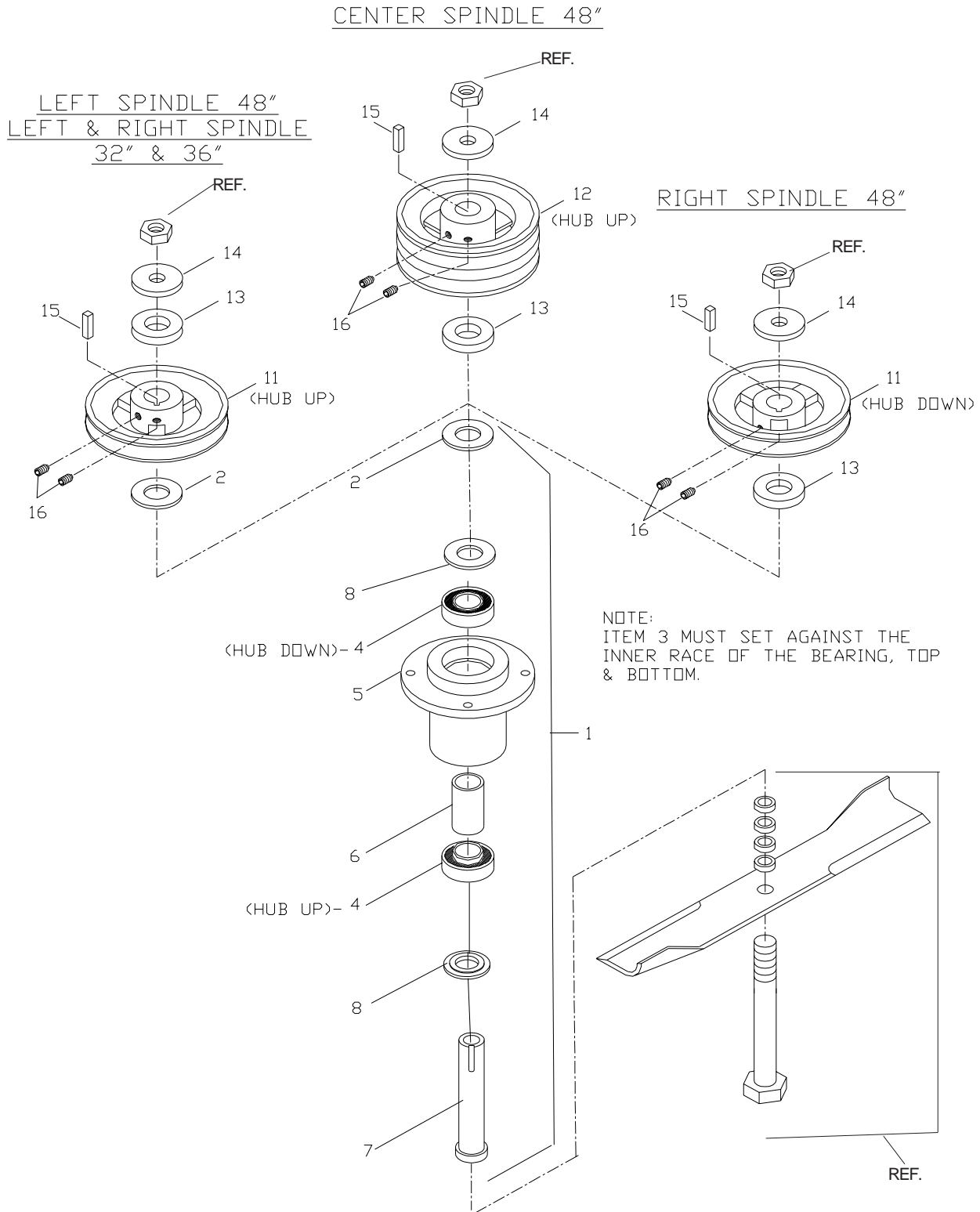


NOTE: ITEM 18 SHOWN ON PAGES 16 & 17.

32" & 36" FRONT DECK

ITEM	PART NO.	QTY.	DESCRIPTION	ITEM	PART NO.	QTY.	DESCRIPTION
1	101959	1	36" DECK BELT	36	101982	1	RT. HANDEYEBOLT
	102148	1	32" DECK BELT	37	990196	1	5/16C HEXNUT
2	102315	1	36" BELT SHIELD	38	101983	1	TURNBUCKLE
	102313	1	32" BELT SHIELD	39	101981	1	LT. HANDEYEBOLT
3	110766	1	DECAL, KUTTER(LARGE)	40	101978	1	ARMWLDMT
4	102070	4	THREE PRONGKNOB	41	990550	1	FW 1/2 STD
5	102056	4	3/8 SEALING WASHER	42	101332	1	HCS 1/2C X 2 3/4
6	990546	4	HLN 3/8C	43	101980	1	EYEBOLT PIVOT
7	990613	3	3/8C WHIZNUT	44	976688	1	IDLER PULLEY
8	102334	2	TAPBOLT 3/8C X 4 1/2	45	102656	1	SPACER
9	976980	2	HN 5/8F	46	990118	1	3/8 LOCK WASHER
10	101995	2	KEY 1/4SQ. X 1 1/8	47	990637	1	HCS 3/8C X 2 1/2
11	976398	2	PULLEY W/SETSCREWS	48	101175	6	HCS 7/16C X 1 1/2
12	102332	2	HCS 5/8F X 8 1/2	49	990247	6	7/16 LOCK WASHER
13	106504	2	SUPPORT WASHER	50	990449	6	7/16C HEXNUT
14	100341	2	BLADE 18"(36)	51	100346	1	DEFLECTOR CHUTE
	100340	2	BLADE 16 1/4"(32)	52	101231	1	IDLER SPINDLE
15	976436	8	BLADE SPACERS	53	101331	1	HLN 1/2C NYLOC
16	102245	2	SPACER	54	913010	1	DECAL, CPSC
17	102675	2	MACH. BUSHING 10GA.	55	102329	1	36" DECK W/DECALS
18	107418	2	HOUSING ASM.		102328	1	32" DECK W/DECALS
19	102320	2	TUBE CAP	56	105746	1	DECAL, SEVERING
20	102236	1	PAD(NOT USED ON 32)				
21	102063	1	DECAL, COMMERCIAL				
22	101537	1	DECAL, 36				
	101025	1	DECAL, 32				
23	990184	16	HLN 5/16C				
24	990209	10	HCS 5/16C X 1				
25	103420	1	DECAL, YAZOO/KEES				
26	990585	6	HFLN 5/16C				
27	990553	6	HCS 5/16C X 3				
28	100075	1	SNUBBER				
29	976956	4	5/16 NYLOC SETSCREW				
30	101836	1	SLEEVE BUSHING				
31	101979	1	ENGAGEMENT ARM				
32	990517	3	FW 3/8 STD				
33	990629	2	HCS 3/8C X 2 1/4				
34	102048	1	BLADE ROD 32 & 36				
35	976988	1	#2 HAIRPIN				

CUTTER HOUSING ASSEMBLY



CUTTER HOUSING ASSEMBLY

ITEM	PART NO.	QTY.	DESCRIPTION
1	107418	1	CUTTER HOUSING ASM. (INCLUDES ITEMS 2 THRU 10)
2	102675	1	MACH. BUSING 10GA.
4	102677	2	BEARING
5	102673	1	HOUSING
6	102676	1	SPACER
7	102674	1	SPINDLE
8	107272	2	COMBO SPACER
11	976398	1	PULLEY
12	101819	1	DOUBLE PULLEY
13	102245	1	3/8" SPACER
14	102243	1	1/4" SPACER
15	101995	1	KEY 1/4 SQ. X 1 1/8"
16	976956	2	5/16 NYLOC SETSCREW

SEE PAGES 12 THRU 15 FOR CORRECT BLADE BOLT, NUT, BLADE SPACERS, AND BLADE FOR YOUR MODEL.

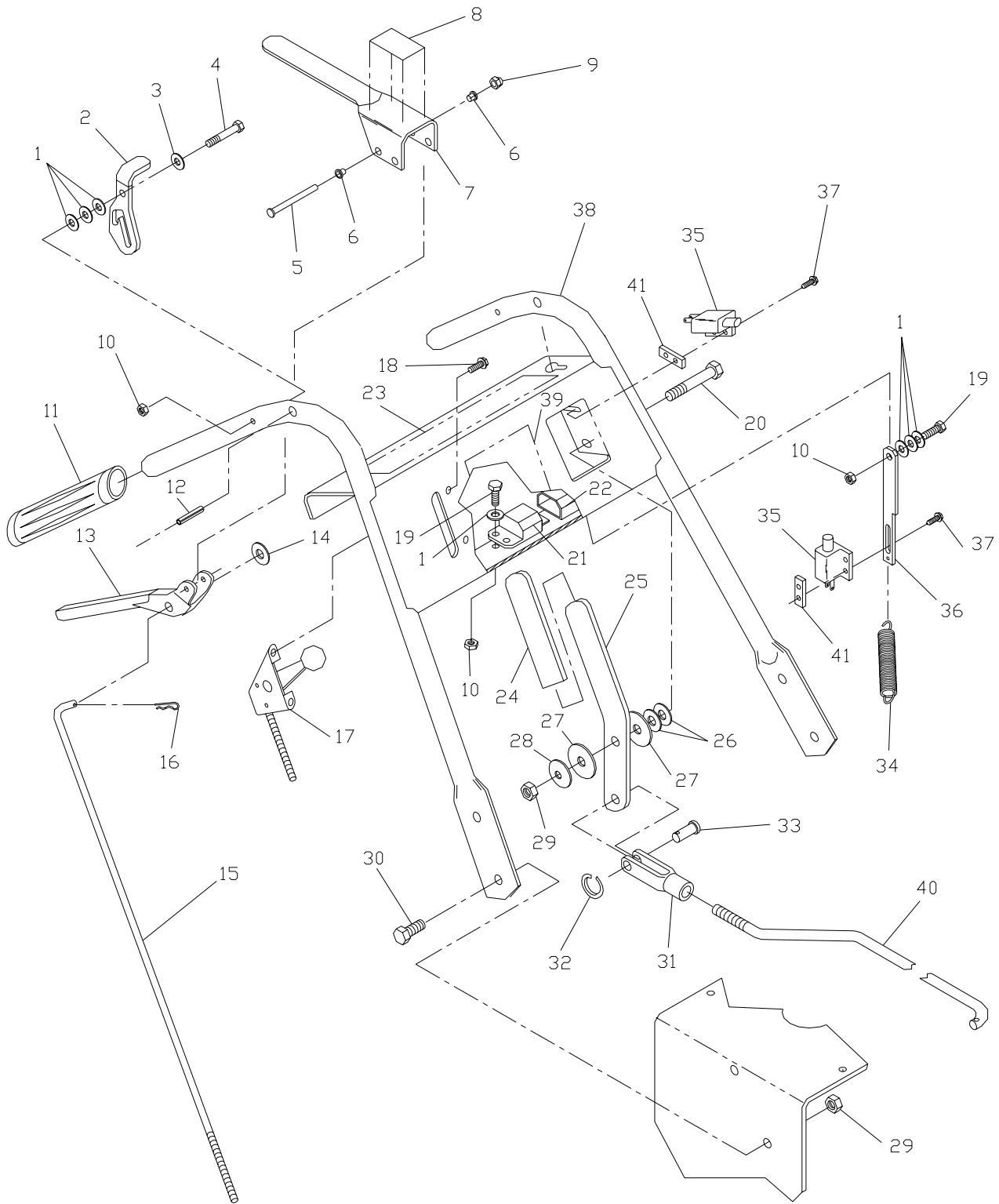
NOTE:

THIS HOUSING ASSEMBLY (ITEM 1) IS USED IN CONJUNCTION WITH DIFFERENT PULLEYS AND SPACERS. IT IS CRITICAL THAT YOU USE THE RIGHT SPACERS IN THE RIGHT LOCATION FOR THE DIFFERENT SPINDLE COMBINATIONS. (ALSO REFER TO THE CUTTER OPERATOR'S MANUAL)

NOTE:

THIS HOUSING ASSEMBLY (ITEM 1) WILL NOT WORK IF THESE ITEMS ARE NOT IN THEIR PROPER LOCATION OR ORIENTATION.

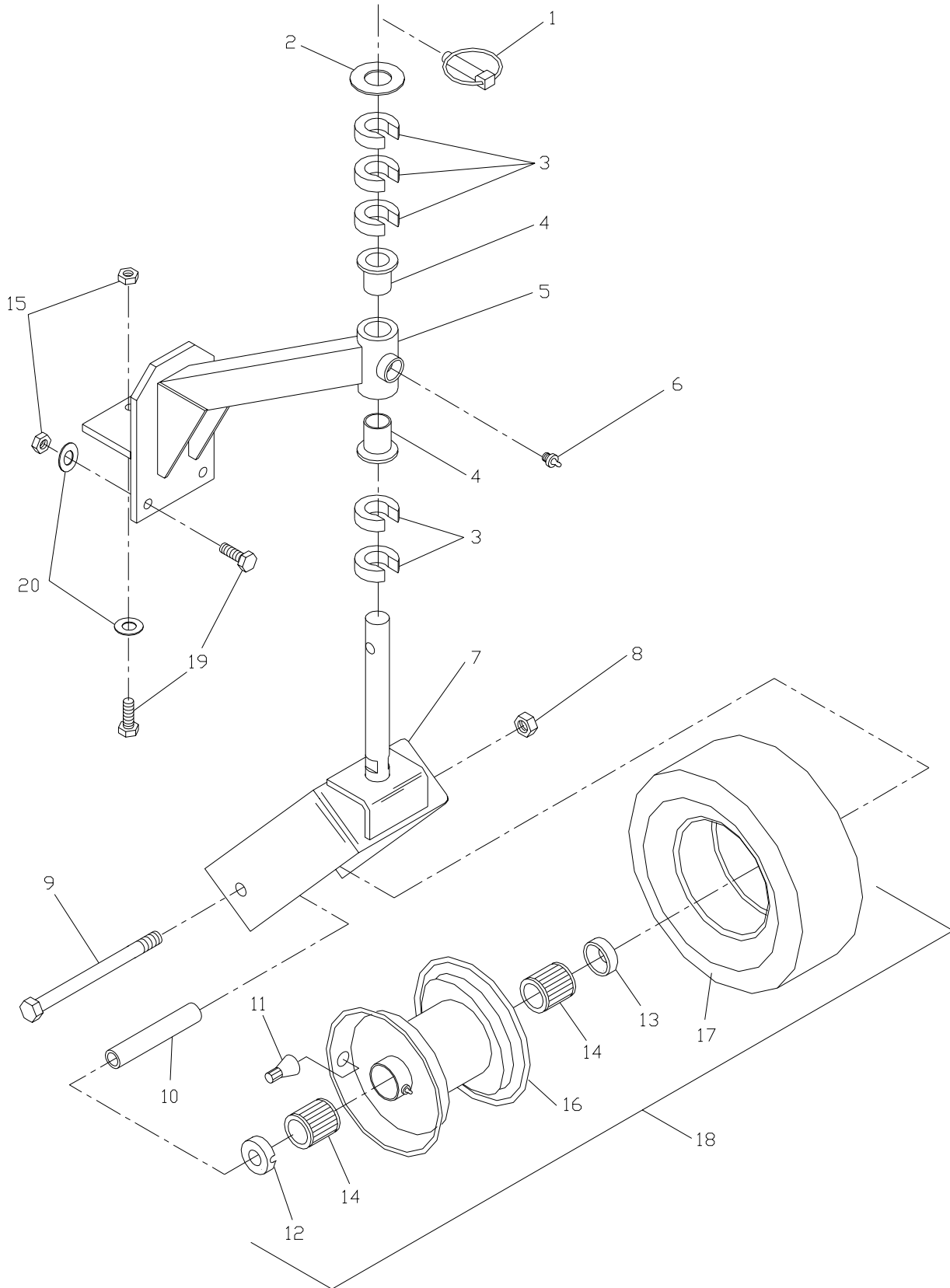
UPPER HANDLE



UPPER HANDLE

ITEM	PART NO.	QTY.	DESCRIPTION
1	990055	13	1/4SAE FLAT WASHER
2	976387	1	LATCH, LT. THUMB W/GRIP
	976388	1	LATCH, RT. THUMB W/GRIP (NOT SHOWN)
3	976983	2	WASHER, WAVE SPRING
4	991003	2	HCS 1/4C X 1 3/4
5	977884	2	PIN, CLEVIS
6	977886	4	BUSHING
7	977857	2	LEVER, O.P. W/GRIP
8	100285	2	DECAL, THUMB LATCH
9	914734	2	PUSHNUT
10	990761	5	1/4C PREV. TORQUE NUT
11	976488	2	GRIP HANDLE
12	923313	2	ROLL PIN 5/16 X 1 1/8
13	101791	2	LEVER, MOLDED DRIVE
14	990692	2	5/16 FLAT WASHER
15	101986	2	TRACTION ROD
16	976988	2	COTTER, HAIRPIN #2
17	101963	1	THROTTLE CONTROL W/BALL
	106553	1	THROTTLE CONTROL W/BALL (KAWASAKI)
18	990302	2	HWST 1/4C X 3/8
19	990580	3	HCS 1/4C X 3/4
20	990655	1	HCS 3/8C X 1 1/2
21	101781	1	MODULE
22	101984	1	HANDLE HARNESS
	106531	1	HANDLE HARNESS (KAWASAKI)
23	101935	1	DECAL, OPERATION
24	976526	1	GRIP
25	100082	1	LEVER
26	990517	2	3/8 FLAT WASHER
27	101219	2	FIBER WASHER
28	912063	1	CONE WASHER
29	990546	5	3/8C TORQUE NUT
30	990563	4	HCS 3/8C X 1
31	977465	1	YOKE
32	916459	1	RETAINER, RING
33	977703	1	CLEVIS PIN
34	977250	2	SPRING
35	919098	3	SWITCH
36	101801	2	O.P. LINKAGE
37	976952	6	SCREW 10-24 X 5/8
38	102062	1	UPPER HANDLE W/DECALS
39	103424	1	DECAL, OPERATION
40	101972	1	BLADE ROD
41	102678	3	TAPPED PLATE
42	911853	1	SWITCH, KEY (KAWASAKI) NOT SHOWN
43	911138	1	KEY (KAWASAKI) NOT SHOWN

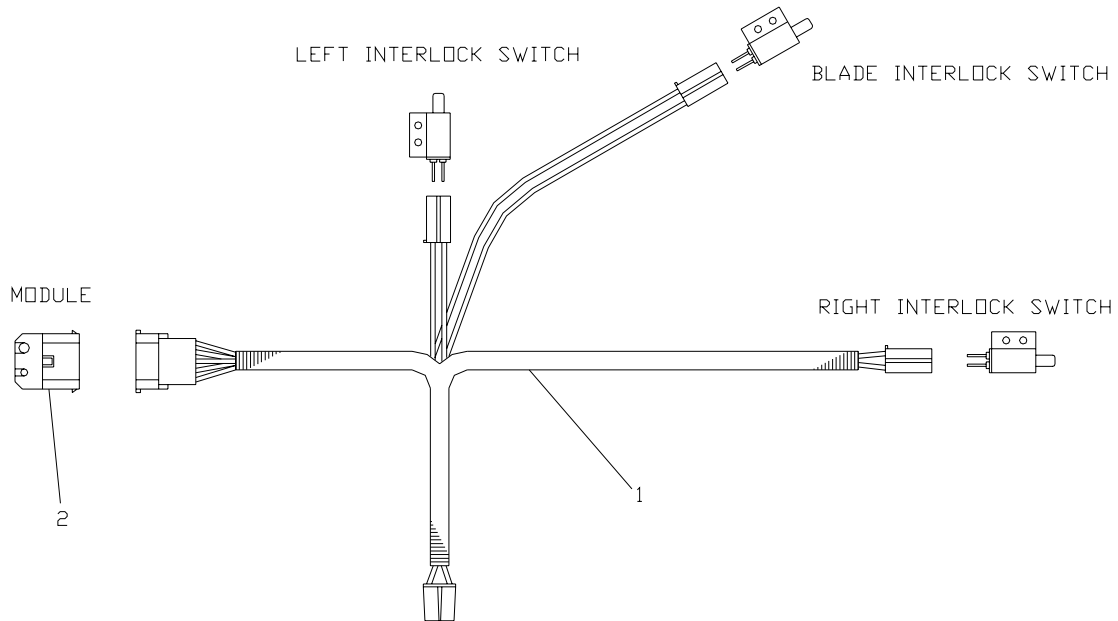
FRONT CASTER



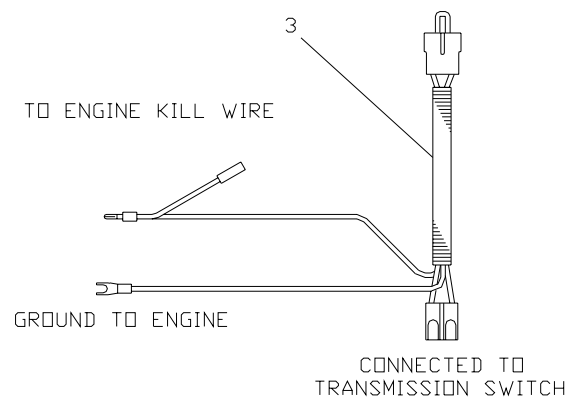
FRONT CASTER

ITEM	PART NO.	QTY.	DESCRIPTION
1	101874	1	7/16 LYNCH PIN
2	916561	1	MACH. BUSHING
3	101873	5	"C"-SPACER
4	101232	2	FLANGE BUSHING
5	101875	1	CASTER ARM W/BUSHING
6	976997	1	ZERK 1/8 NPT
7	101868	1	CASTER YOKE
8	101331	1	1/2C NYLOC NUT
9	101907	1	HCS 1/2C X 5 1/2
10	101872	1	SPACER
11	912234	1	AIR VALVE
12	977356	1	NOTCHED ENDCAP
13	923557	1	ENDCAP
14	977353	2	ROLLER BEARING
15	990546	3	HLN 3/8C
16	104618	1	RIM
17	101905	1	9" TIRE
18	104556	1	TIRE & WHEEL ASS.
19	990563	3	HCS 3/8C X 1
20	990517	3	FW 3/8 STD
21	106488	1	FRONT WHEEL CASTER ASM. KIT (INCLUDES ITEMS 1 THRU 20)

UPPER HANDLE WIRING HARNESS



GROUND HARNESS KAWASAKI

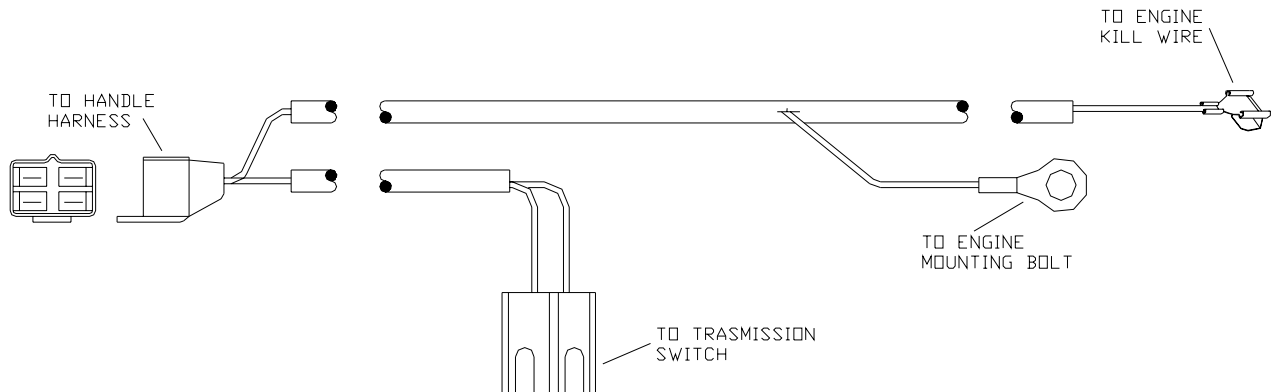


WIRING HARNESS

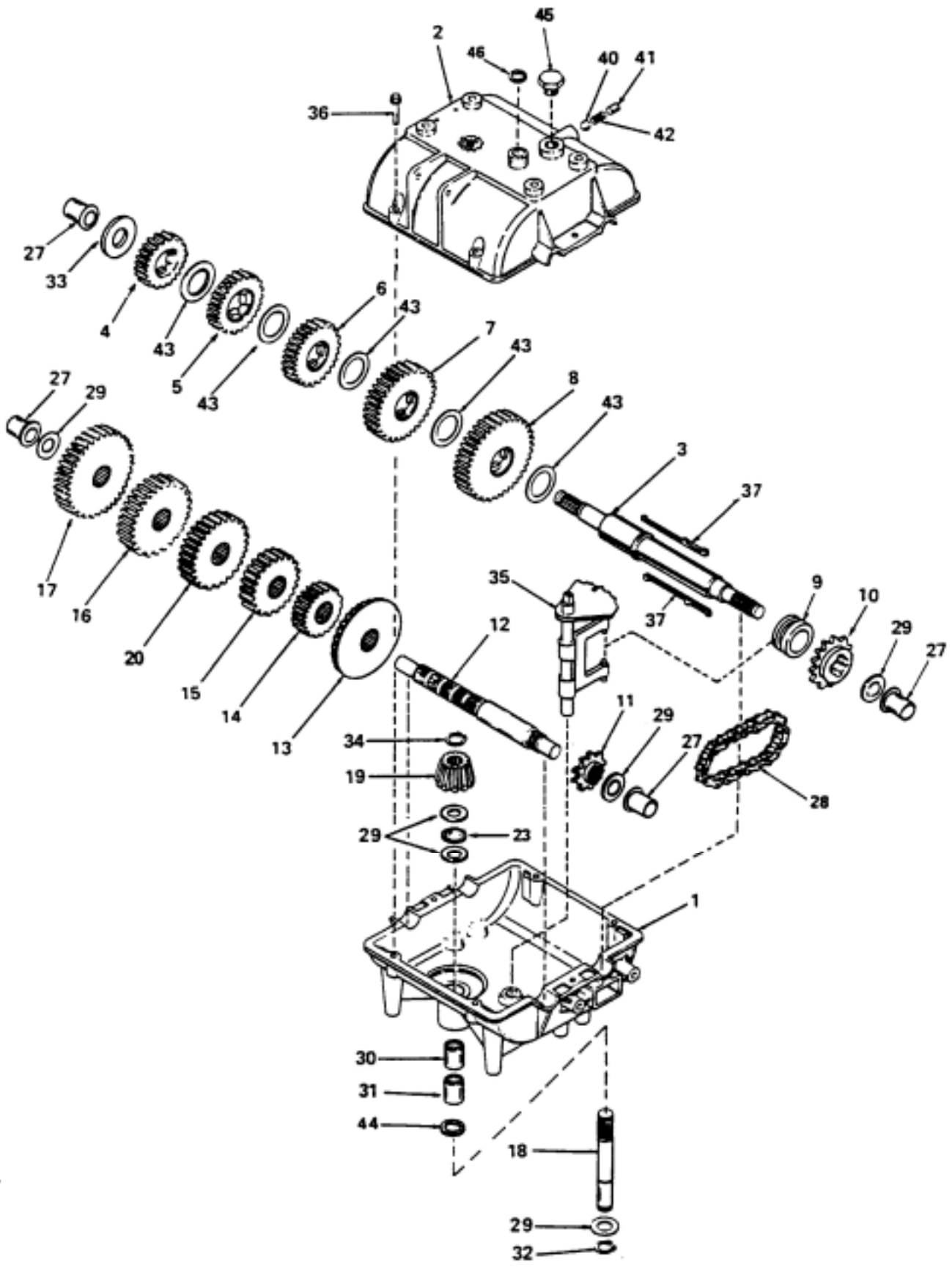
ITEM PART NO. QTY. DESCRIPTION

1	101984	1	HANDLE HARNESS
.....	106531	1	HANDLE HARNESS (KAW)
2	101781	1	MODULE
3	106085	1	GROUND HARNESS (KAW.)
4	104991	1	GROUND HARNESS (KOHLER)

GROUND HARNESS KOHLER



TRANSMISSION



TRANSMISSION

ITEM	PART NO.	QTY.	DESCRIPTION
1	102075	1	TRANSMISSIONCASE
2	100371	1	TRANSMISSION COVER
3	102179	1	OUTPUT & BRAKE SHAFT
4	102077	1	SPUR GEAR (27 TEETH)
5	100377	1	SPUR GEAR (30 TEETH)
6	102078	1	SPUR GEAR (32 TEETH)
7	100376	1	SPUR GEAR (35 TEETH)
8	102079	1	SPUR GEAR (37 TEETH)
9	977561	1	SHIFT COLLAR
10	977562	1	SPROCKET (18 TEETH)
11	977563	1	SPROCKET (9 TEETH)
12	977564	1	COUNTERSHAFT
13	977565	1	BEVEL GEAR (42 TEETH)
14	102080	1	SPUR GEAR (12 TEETH)
15	102081	1	SPUR GEAR (15 TEETH)
16	100382	1	SPUR GEAR (20 TEETH)
17	102082	1	SPUR GEAR (23 TEETH)
18	977571	1	INPUT SHAFT
19	100372	1	INPUT BEVEL PINION
20	102083	1	SPUR GEAR (18 TEETH)
23	100374	1	THRUST BEARING
27	977573	4	FLANGED BUSHING
28	977574	1	ROLLER CHAIN(NO.41 CHAIN, 24 LINKS)
29	977575	6	THRUST WASHER
30	977592	1	NEEDLE BEARING
31	977576	1	NEEDLE BEARING
32	977577	1	RETAINING RING
33	102084	1	THRUST WASHER
34	977579	1	RETAINING RING
35	102180	1	SHIFT ROD & FORK
36	977581	6	SCREW, FLANGED HEX HD. THREADFORMING, 1/4-20 X 1-1/4"
37	977582	4	KEY
40	977583	1	STEEL BALL, 5/16"
41	977584	1	SET SCREW, 3/8-16 X 3/8"
42	977585	1	SPRING
43	977586	5	THRUST WASHER
44	977587	1	"O" RING
45	100148	1	THREADED PLUG
46	100388	1	SQUARE CUT SEAL
47	102162	1	COMPLETE TRANSMISSION(NOT SHOWN)

