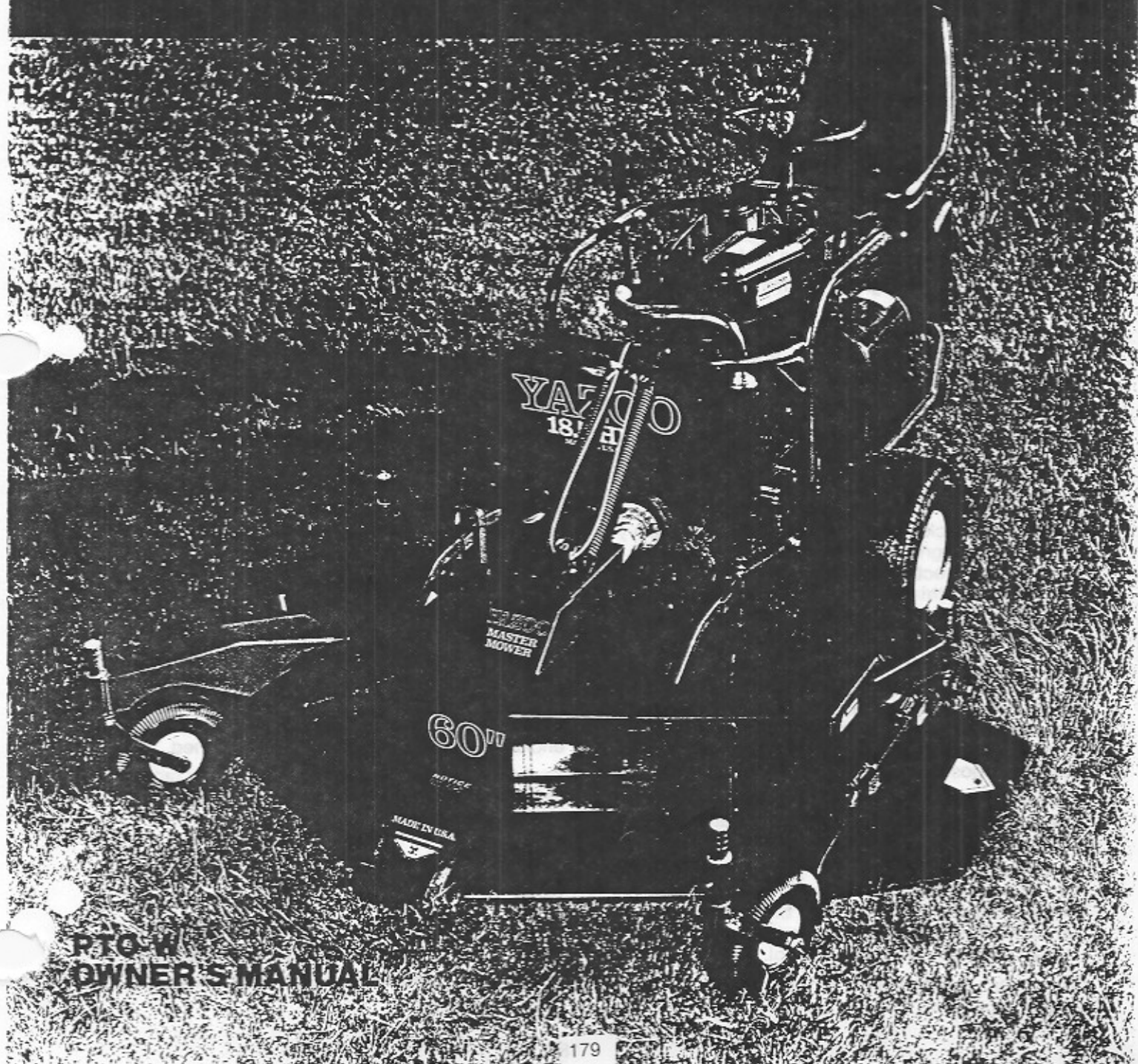


PTOW YAZOO

3-WHEEL RIDER



PTOW
OWNER'S MANUAL

WARNING!

95 out of 100 mowing accidents are caused by the way the machine is operated.

That's why you shouldn't even start the ignition of your new riding mower until you've read and **thoroughly understand** this Owner's Manual (particularly the safety rules).

Because the cutting head is out front and away from the operator, your Yazoo commercial mower is safe. Since the cutting head is out in front, you can see what you are cutting. Plus, with a Yazoo rider, you're protected by heavy-duty guards, as well as the engine itself, because it's located between you and the cutting blade.

This is a **commercial** riding mower—a heavy piece of equipment that is only as safe as its operator. You make the rules, so make mowing safety a habit in your family.

Owner's Responsibility

- Insist on a safety demonstration from your Yazoo dealer.
- Read this Owner's Manual thoroughly and understand how your mower works. **Make sure you know how to stop your engine quickly.** Know where the brakes are.
- Before you start your mower, detach the spark plug wire(s) and disengage the blade drive. Then inspect beneath the cutting section, making sure all blade nuts are tight, and no foreign object is caught underneath. Finally, check the entire mower and make sure that all nuts, bolts and parts are secure.
- Adjust the cutting height while the mower is on a level, firm surface.
- Inspect the intended mowing area and pick up any stones, sticks, bottle caps or other foreign objects which might be thrown by a mower.
- Check all fluid levels—oil, gas, hydro axle.
- Disengage clutches and blades and shift into neutral before starting mower.

While Operating:

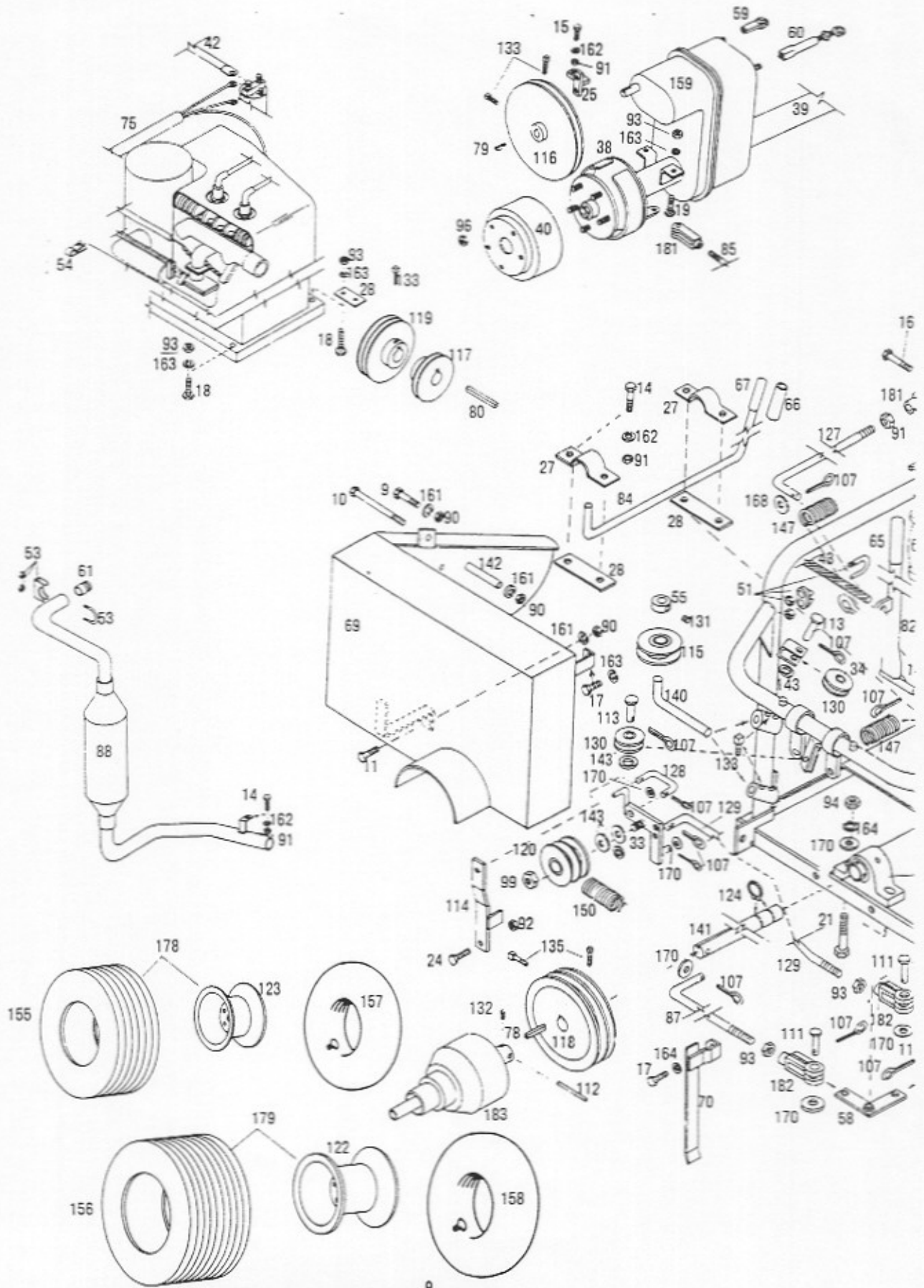
- Wear sensible clothing—long pants; boots or heavy shoes that will grip, even in wet weather; safety glasses to protect the eyes from low hanging branches; and thin gloves (like golfers') for a sure grip. Also, don't wear anything that's so loose that it might get caught on something.
- If your mower ever vibrates excessively or sounds unusual, shut off your engine, disconnect the spark plug(s) and disengage the blade drive. Then—and only then—look underneath the cutting section for something caught in the blade, or something that has been loosened or bent.
- **Never** carry passengers. And don't allow anyone (particularly children) to remain in the area you're about to mow.
- If someone should approach you, or if you need to get off your mower for any reason, shut off your engine completely—including blade drive and ignition. Do this manually, even though your mower has an operator presence control.
- The owner is responsible for keeping the operator presence control working properly.

- Do not alter or remove the safety guards or safety devices.
- Never operate your Yazoo rider at more than a 15-degree angle of bank. Most engines don't lubricate themselves properly at an angle greater than 15 degrees. Remember, too, that if you go over a root or bump, the angle of the mower will change, so allow plenty of margin to take care of the unexpected. **Most riding mower accidents happen on slopes of more than 15 degrees.**
- On slopes, mow across, not up and down. To control your Yazoo on slopes, use the foot brake as necessary. If the mower transaxle is suddenly jerked into reverse on a slope, the rear end of the mower may have a tendency to lift.
- Never let a child operate a mower. And never let anyone else operate your mower, unless he or she has received a complete course of instruction—including a safety demonstration—on how the mower operates and has read and understands the Operator's Manual.
- Do not race the engine; this is not only dangerous, it's harmful. Don't alter governor settings.
- Never mow at night, or other times when visibility is low.
- Never run the mower indoors where carbon monoxide fumes can collect.
- Handle gasoline with care. Never add fuel to a running engine. And when you run out of gas, give your engine time to cool down before refueling. Gasoline spilled on a hot engine is a fire hazard.
- Allow the engine to cool before storing rider in any enclosure such as a garage or storage shed.
- To reduce potential fire hazard, keep your mower free from build-ups of grass, grease, leaves and accumulations of dirt.

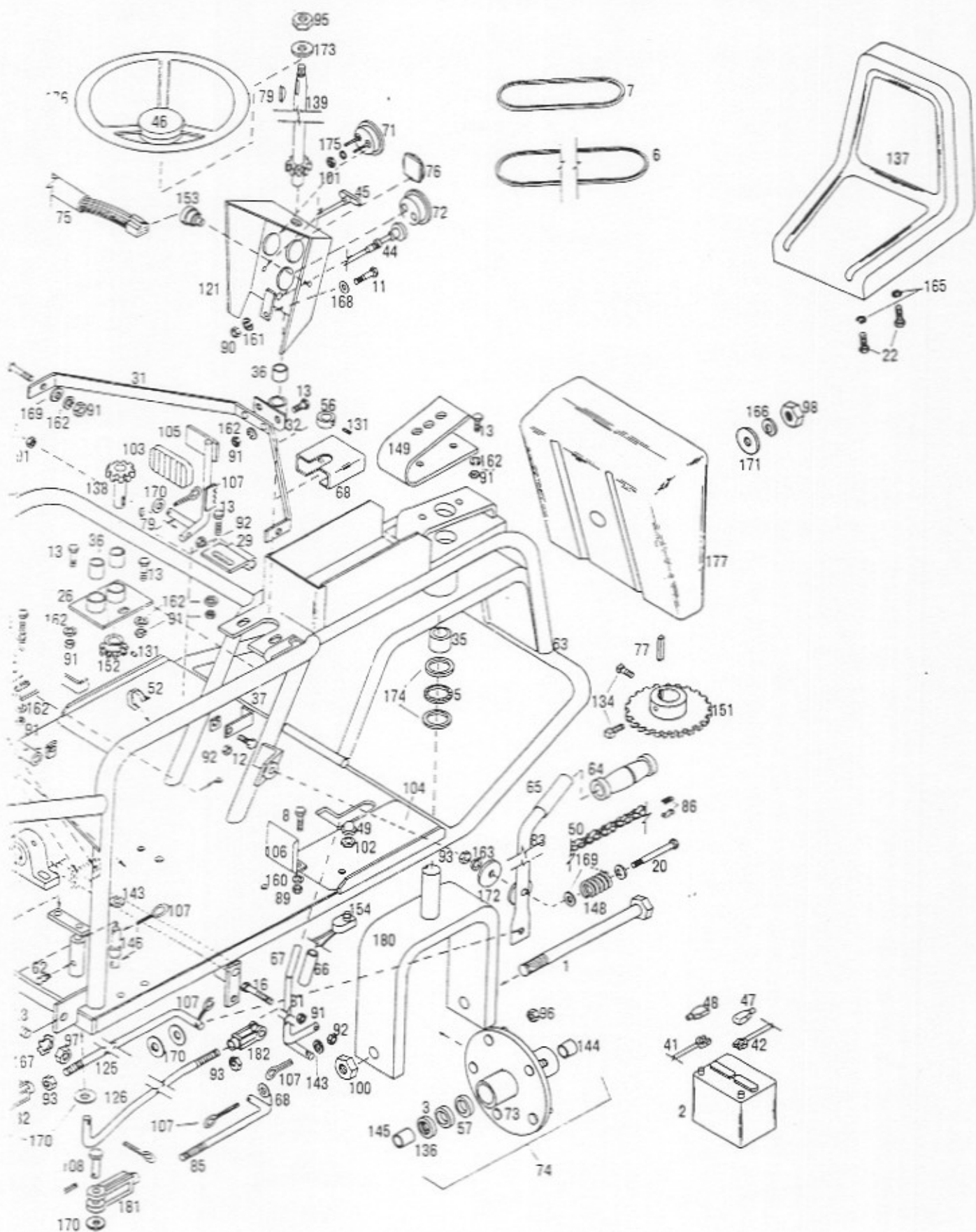
Maintain your Yazoo properly at all times. Check parts frequently and follow our maintenance and storage instructions.

Illustrated Parts Lookup - PTO-W, 09 - CHASSIS ILLUSTRATION

Low oil shutdown is Wisc. # YC4853



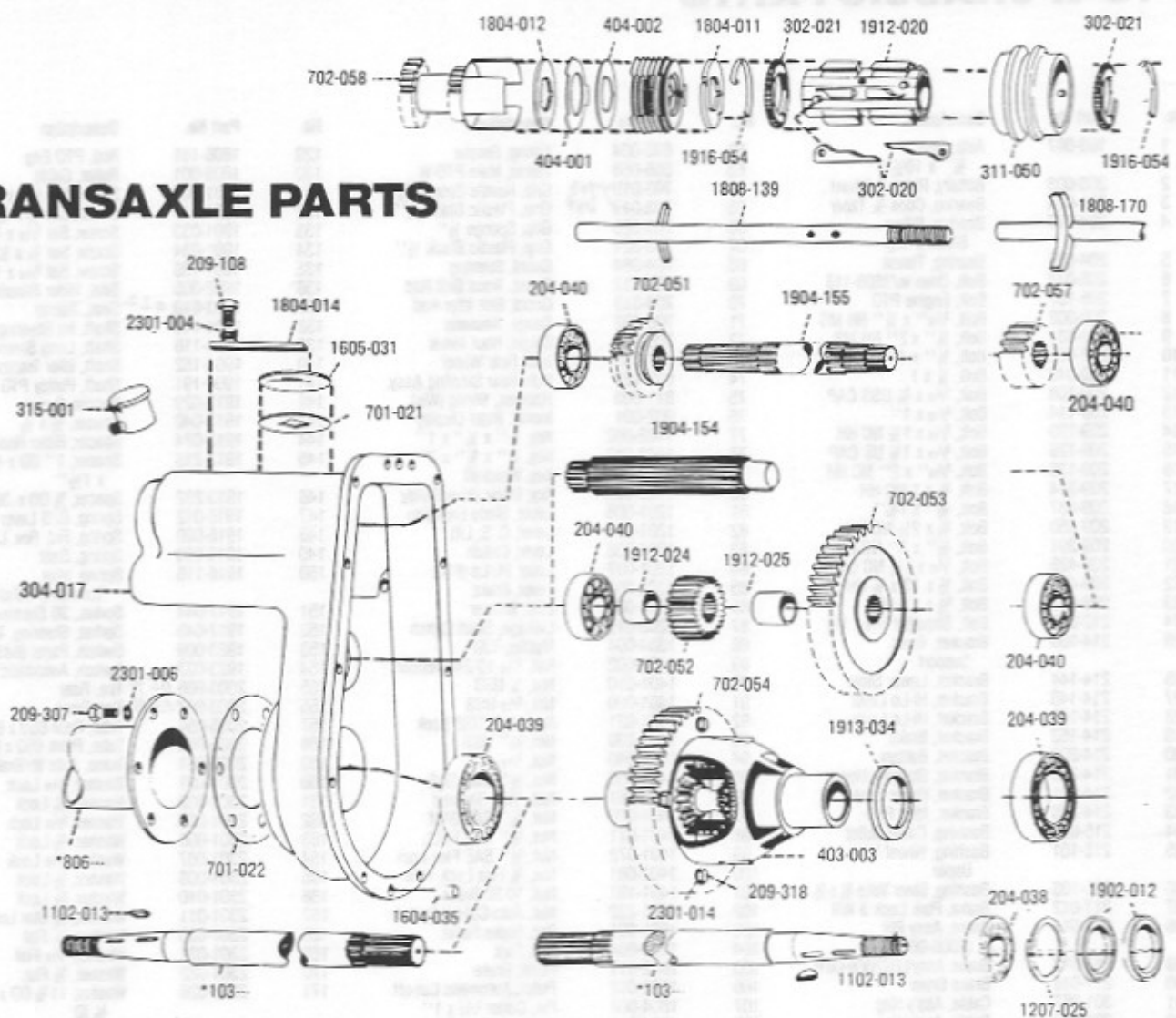
Illustrated Parts Lookup - PTO-W, 10 - CHASSIS ILLUSTRATION



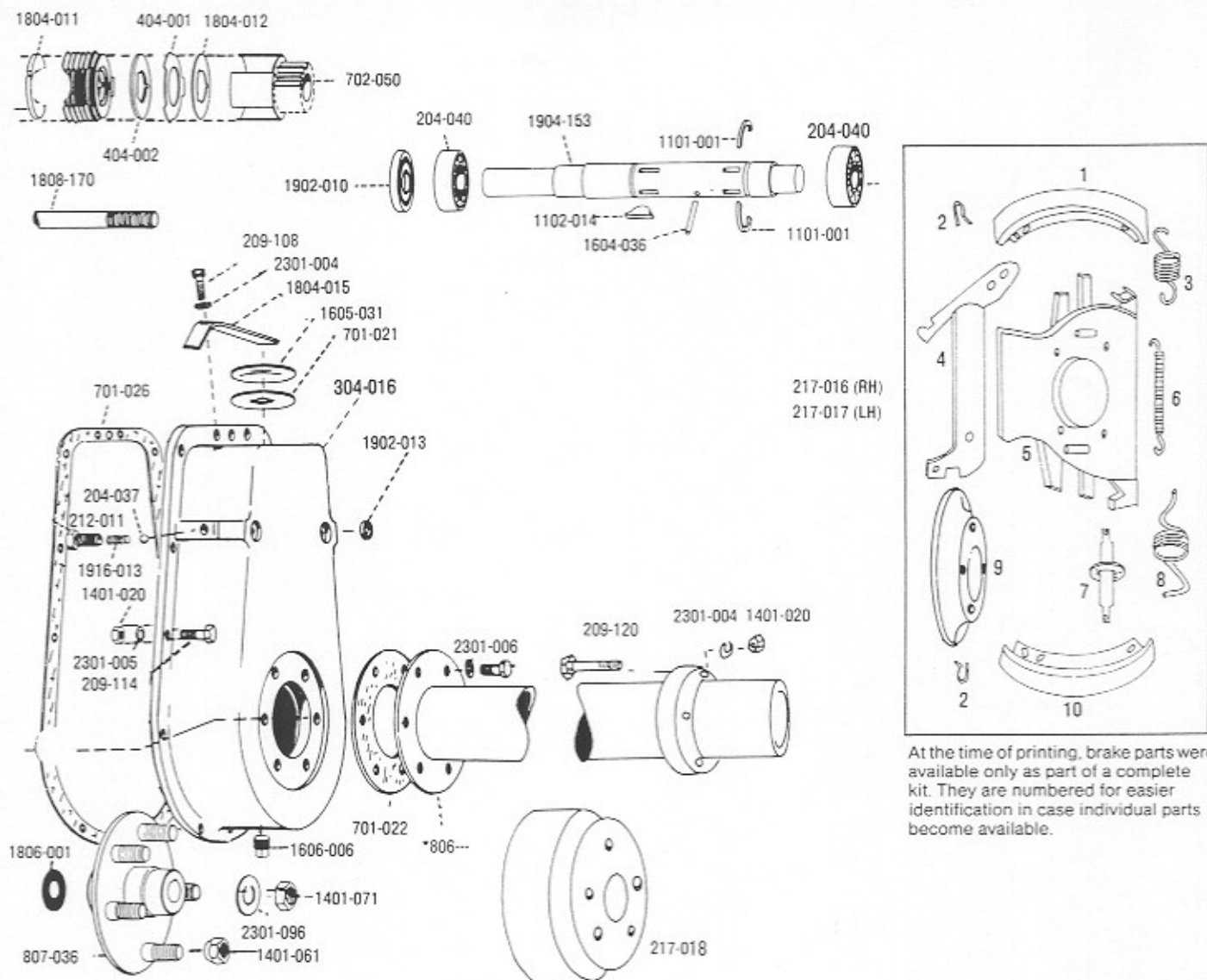
PTO-W CHASSIS PARTS

No.	Part No.	Description	No.	Part No.	Description	No.	Part No.	Description
1	103-097	Axle, Rear	62	603-004	Fitting, Grease	129	1808-161	Rod, PTO Eng
		$\frac{3}{4}$ " x 10 $\frac{1}{2}$ "	63	605-058	Frame, Main PTO-W	130	1809-001	Roller, Cable
2	203-003	Battery, Rider, 3 Wheel	64	788-016	Grip, Handle Sponge $\frac{7}{8}$ "	131	1901-006	Screw, Set $\frac{5}{16}$ x $\frac{1}{4}$ HH
3	204-034	Bearing, Cone $\frac{3}{4}$ Taper	65	703-017	Grip, Plastic Black $\frac{7}{8}$ "	132	1901-017	Screw, Set $\frac{3}{8}$ x $\frac{3}{8}$ Dr Sha
4	204-077	Bearing, Pillow Block (PTO)	66	703-020	Grip, Sponge $\frac{1}{2}$ "	133	1901-033	Screw, Set $\frac{5}{16}$ x $\frac{3}{4}$ SH
5	204-078	Bearing, Thrust	67	703-021	Grip, Plastic Black $\frac{1}{2}$ "	134	1901-034	Screw, Set $\frac{3}{8}$ x $\frac{1}{4}$ NC SH
6	205-074	Belt, Drive w/1608-113	68	704-084	Guard, Steering	135	1901-136	Screw, Set $\frac{5}{16}$ x 1 $\frac{1}{4}$
7	205-137	Belt, Engine PTO	69	704-312	Guard, Trans Belt Rad	136	1902-005	Seal, Rider Steering Hub
8	208-002	Bolt, $\frac{3}{16}$ " x $\frac{1}{4}$ " RH MS	70	704-313	Guard, Belt Idler Rad	137	1903-018	Seat, Tractor
9	208-031	Bolt, $\frac{1}{4}$ " x 2" RH MS	71	706-002	Gauge, Ammeter	138	1904-115	Shaft, Int Steering
10	208-032	Bolt, $\frac{1}{4}$ " x 4" RH MS	72	706-003	Gauge, Hour Meter	139	1904-116	Shaft, Long Steering
11	209-049	Bolt, $\frac{1}{4}$ x 1	73	807-038	Hub, Rear Wheel	140	1904-152	Shaft, Idler Tractor
12	209-108	Bolt, $\frac{5}{16}$ x $\frac{3}{4}$ USS CAP	74	808-123	Hub, Rear Steering Assy	141	1904-191	Shaft, Pulley PTO
13	209-114	Bolt, $\frac{5}{16}$ x 1"	75	811-003	Harness, Wiring (Wis)	142	1913-029	Spacer, Guard
14	209-120	Bolt, $\frac{5}{16}$ x 1 $\frac{1}{4}$ NC HH	76	902-001	Incmt, Rider Display	143	1913-040	Spacer, $\frac{3}{8}$ x $\frac{1}{2}$
15	209-126	Bolt, $\frac{5}{16}$ x 1 $\frac{1}{2}$ US CAP	77	1102-002	Key, $\frac{1}{4}$ " x $\frac{1}{4}$ " x 1"	144	1913-074	Spacer, Rider Rear Axle
16	209-138	Bolt, $\frac{5}{16}$ " x 2" NC HH	78	1102-012	Key, $\frac{1}{4}$ " x $\frac{1}{4}$ " x 3"	145	1913-216	Spacer, 1" OD x $\frac{3}{4}$ " ID x 1 $\frac{1}{2}$ "
17	209-314	Bolt, $\frac{3}{8}$ x 1 NC HH	79	1102-013	Key, Woodruff			
18	209-337	Bolt, $\frac{3}{8}$ " x 1 $\frac{3}{4}$ "	80	1102-024	Key, Blade Drive Pulley	146	1913-232	Spacer, $\frac{1}{8}$ OD x .36 ID x $\frac{1}{2}$
19	209-350	Bolt, $\frac{3}{8}$ x 2 $\frac{1}{2}$ NC HH	81	1201-006	Lever, Blade Engaging	147	1916-012	Spring, C/S Lever
20	209-391	Bolt, $\frac{3}{8}$ " x 3" NC HH	82	1201-008	Lever, C. S. Lift	148	1916-020	Spring, Frd. Rev. Lever
21	209-425	Bolt, $\frac{1}{2}$ x 1 $\frac{1}{2}$ NC CAP	83	1201-036	Lever, Clutch	149	1916-080	Spring, Seat
22	209-494	Bolt, $\frac{1}{2}$ x 13 x $\frac{3}{4}$ HH	84	1201-037	Lever, Hi/Lo (PTO)	150	1916-116	Spring, Idler Tension (PTO's)
23	209-617	Bolt, $\frac{3}{8}$ x 1 $\frac{1}{2}$ NF	85	1201-054	Lever, Brake			
24	212-025	Bolt, Shoulder $\frac{7}{16}$ x 1 $\frac{1}{4}$	86	1204-001	Link, Master	151	1917-044	Sprket, 36 Steering
25	214-106	Bracket, Trans. Support	87	1205-015	Linkage, Short Clutch	152	1917-045	Sprket, Steering, Tractor
			88	1304-004	Muffler, TJD	153	1923-009	Switch, Panel (B&S)
26	214-144	Bracket, Lower Steer	89	1401-002	Nut, $\frac{3}{16}$ -10-24 Flexlock	154	1923-023	Switch, Automatic Cut-off
27	214-148	Bracket, Hi-Lo Lever	90	1401-010	Nut, $\frac{1}{4}$ USS	155	2003-066	Tire, Rear
28	214-149	Bracket, Hi-Lo Lever	91	1401-020	Nut, $\frac{5}{16}$ USS	156	2003-067	Tire, Front
29	214-153	Bracket, Brake	92	1401-021	Nut, $\frac{3}{16}$ " USS Lock	157	2005-054	Tube, Rear 650 x 8
30	214-206	Bracket, Battery	93	1401-030	Nut, $\frac{3}{8}$ " USS	158	2005-055	Tube, Front 950 x 8
31	214-220	Bracket, Steering Upper	94	1401-040	Nut, $\frac{1}{16}$	159	2006-061	Trans, Axle W/Brake
32	214-221	Bracket, Upper Steer	95	1401-050	Nut, $\frac{1}{2}$ " JAM SAE	160	2301-001	Washer, $\frac{1}{16}$ Lock
33	214-226	Bracket, Idler PTO	96	1401-061	Nut, $\frac{1}{16}$ " Tapered	161	2301-003	Washer, $\frac{1}{4}$ Lock
34	215-022	Bushing, Cable Roller	97	1401-070	Nut, $\frac{5}{8}$ " SAE JAM	162	2301-004	Washer, $\frac{5}{16}$ Lock
35	215-101	Bushing, Wheel Yoke Upper	98	1401-071	Nut, $\frac{5}{8}$ " SAE FULL	163	2301-006	Washer, $\frac{3}{8}$ Lock
			99	1401-072	Nut, $\frac{5}{8}$ " SAE Flex Lock	164	2301-007	Washer, $\frac{1}{16}$ Lock
			100	1401-081	Nut, $\frac{3}{4}$ Flex Lock Thin	165	2301-008	Washer, $\frac{1}{2}$ Lock
36	215-103	Bushing, Steer Yoke $\frac{3}{4}$ x $\frac{7}{8}$	101	1401-197	Nut, 10-32 Brass	166	2301-010	Washer, $\frac{3}{8}$ Lock
37	217-012	Brake, Park Lock 3 WH	102	1401-222	Nut, Auto Cut-off Switch	167	2301-011	Washer, $\frac{3}{8}$ Star Lock
38	217-016	Brake, Assy RH (2006-061)	103	1601-001	Pad, Brake Pedal	168	2301-020	Washer, $\frac{1}{4}$ Flat
			104	1601-004	Pad, Foot	169	2301-021	Washer, $\frac{3}{8}$ Flat
39	217-017	Brake, Assy LH (2006-061)	105	1602-011	Pedal, Brake	170	2301-022	Washer, $\frac{3}{8}$ Flat
40	217-018	Brake Drum	106	1602-012	Pedal, Automatic Cut-off	171	2301-028	Washer, 11 $\frac{1}{2}$ OD x $\frac{3}{4}$ ID
41	301-057	Cable, Ass'y Neg	107	1604-002	Pin, Cotter $\frac{3}{32}$ x 1"			
42	301-058	Cable, Ass'y Pos	108	1604-013	Pin, $\frac{3}{16}$ x 1 $\frac{1}{4}$ Rivet	172	2301-045	Washer, Fibre 1 $\frac{1}{4}$ OD x $\frac{3}{4}$ ID
43	301-106	Cable, Lift PSG C/SEC 84"	109	1604-038	Pin, Cotter $\frac{3}{16}$ " x 1"			
			110	1604-042	Pin, Cotter $\frac{1}{8}$ "	173	2301-096	Washer, Concave
44	301-111	Cable, Choke	111	1604-061	Pin, Rivet $\frac{3}{8}$ x 1 $\frac{1}{2}$	174	2301-097	Washer, Thrust
45	301-112	Cable, Throttle	112	1604-066	Pin, Roll $\frac{3}{16}$ " x 2 $\frac{1}{4}$ "	175	2301-284	Washer, Star Lock
46	303-015	Cap, Steering	113	1604-107	Pin, Cable Roller, $\frac{5}{8}$ x 1 $\frac{1}{2}$	176	2303-008	Wheel, Steering
47	303-016	Cap, Battery Red	114	1605-067	Plate, Blade Brake	177	2304-009	Weight, Rider
48	303-017	Cap, Battery Black	115	1608-009	Pulley, Assy	178	2305-018	Wheel, Rear Assy
49	303-081	Cap, Auto Cutoff Switch	116	1608-113	Pulley, 10 In B Groove $\frac{3}{4}$	179	2305-022	Wheel, Front Assy
50	305-045	Chain, Rider	117	1608-142	Pulley, 3 $\frac{1}{2}$ OD x 1.43 ID	180	2501-018	Yoke, Steering
51	307-002	Clamp, Cable C/S	118	1608-145	Pulley, Center PTO	181	2501-027	Yoke, $\frac{1}{16}$ -18th
52	307-005	Clamp, 1 $\frac{1}{4}$ Throttle	119	1608-146	Pulley, 5 $\frac{1}{4}$ x 1 $\frac{1}{8}$	182	2501-030	Yoke, $\frac{3}{8}$ "
53	307-011	Clamp, Muffler 1 $\frac{1}{4}$	120	1608-148	Pulley, Engine Idler	183	1904-190-001	PTO Shaft, Male Section
54	307-025	Clamp, Cable	121	1613-002	Panel, Instrument		1904-190-002	PTO Shaft, Female Section (Cutting Section)
55	311-002	Collar, $\frac{5}{8}$ "	122	1805-026	Rim, Front Wheel Assy			
56	311-003	Collar, $\frac{3}{4}$ "	123	1805-027	Rim, Rear Wheel Assy			
57	312-008	Cone, Steering Hub	124	1806-008	Ring, Snap Pillow Block			
58	501-002	Elbow, Tractor	125	1808-143	Rod, Control F/R PTO			
59	502-002	End, Rod	126	1808-144	Rod, Blade Engaging			
60	502-013	End, Hi-Lo Rod	127	1808-149	Rod, Brake			
61	503-028	Ext, Elbow Nipple	128	1808-160	Rod, Blade Brake			

TRANSAXLE PARTS



Part No.	Description	Part No.	Description
* 103-082	Long axle	403-003	Complete differential (less gear)
* 103-091	Short axle	404-001	Outer disc (16 required)
204-037	Detent ball	404-002	Inner disc (14 required)
204-038	Ball bearing	701-021	Inspection plate gasket
204-039	Diff. Carrier bearing	701-022	Axle housing gasket
204-040	Ball bearing	702-050	Reverse gear
209-108	5/16-18 x 3/4" HH bolt	702-051	Hi-Low shift gear
209-114	5/16-18 x 1" HH bolt	702-052	Differential drive gear
209-120	5/16 x 1 1/2" HH bolt	702-053	Intermediate drive gear
209-307	3/8-16 x 3/4" HH bolt	702-054	Differential gear
209-318	3/8-24 x 1" HH Ht. bolt	702-057	Primary drive gear
212-011	Spring retainer bolt	702-058	Forward drive gear
217-018	Brake drum	* 806-090	Short axle housing
217-016	Brake assembly (RH)	* 806-091	Long axle housing
217-017	Brake assembly (LH)	807-036	Rider drive wheel hub
302-020	Clutch dog cam	1101-001	Keeper, 2 Halves
302-021	Clutch adjustment cam	1102-013	Woodruff key
304-016	Deep half case	1102-014	Hypro key
304-017	Shallow half case, with transaxle brake	1207-025	Ring lock
311-050	Selector collar	1401-020	5/16-18 nut
315-001	Oil breather cup		



At the time of printing, brake parts were available only as part of a complete kit. They are numbered for easier identification in case individual parts become available.

- 1401-020 5/16-18 nut
- 1401-061 1/8" tapered nut
- 1401-071 5/8-18 full nut
- 1604-035 3/8" x 3/4" dowell pin
- 1604-036 Clutch retainer pin
- 1605-031 Oil fill inspection plate
- 1606-006 3/8" standard pipe drain plug
- 1804-011 Inner disc retainer
- 1804-012 Outer disc retainer
- 1804-014 Inspection plate retainer
- 1804-015 Inspection plate retainer
- 1806-001 3/4" I.D. x 1" O.D. ring
- 1808-139 Hi-Low selector rod, used with brake
- 1808-170 Forward & reverse selector rod, used with brake
- 1902-012 Axle seal
- 1902-013 Control rod oil seal
- 1904-153 Clutch shaft
- 1904-154 Splined shaft
- 1904-155 Intermediate drive shaft
- 1912-020 Clutch sleeve

- 1912-024 Short clutch sleeve
- 1912-025 Intermediate sleeve, long
- 1913-034 Differential spacer
- 1916-013 Detent spring
- 1916-054 Clutch adjusting spring
- 2301-004 1/8" lock washer
- 2301-005 1/8" ext. star lock washer
- 2301-006 3/8" lock washer
- 2301-014 3/8" Int. star lock washer
- 2301-096 3/8" cupped spring washer

- 310-020 Complete clutch
- 2006-061 Transaxle w/brake, PTO Wisconsin & PTO Briggs

*A check of parts list is required for complete part number