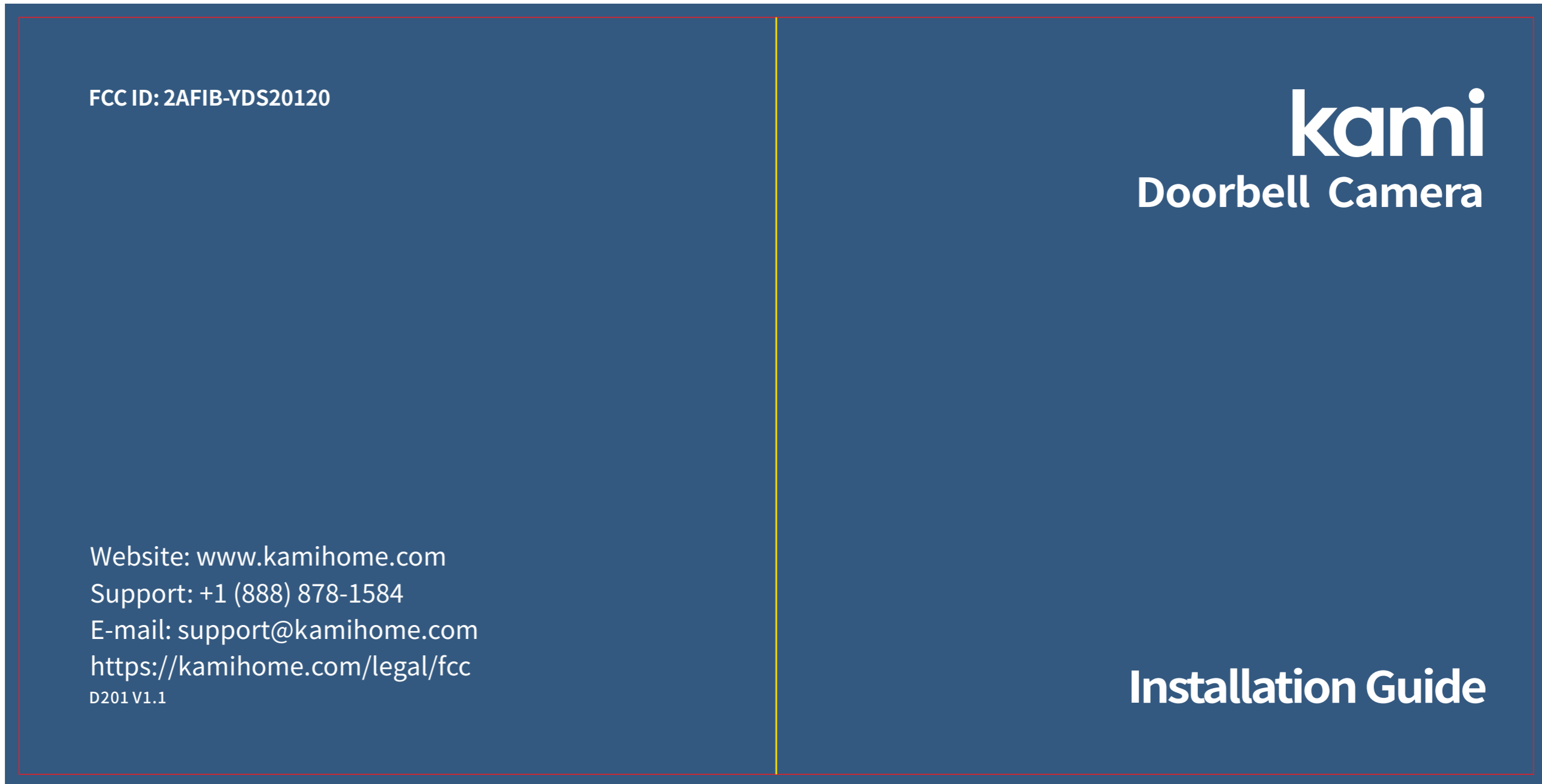


# D201 Kami Doorbell Camera User Manual



2020/08/07 新建

2020/08/11 1. 二极管安装图示修改 2. 认证编号更新 3. 安装定位线图示更新  
4. 背板上墙图示更新 5. 尺寸更新 6. 安装顺序调整 7. 版本更新。

印刷颜色 ▶ PANTONE 541 U  
PANTONE Cool Gray 11 C+K

成品尺寸 ▶ 165 × 165mm

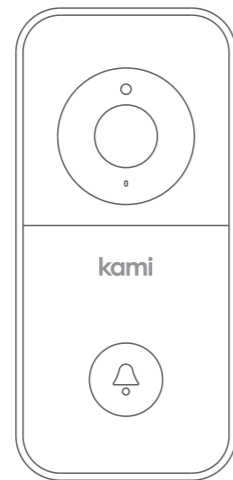
物料材质 ▶ 68g晨鸣云镜双胶

特种工艺 ▶ 骑马钉装订（两钉）

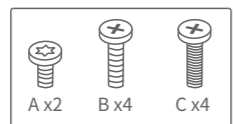
图号 ▶ D2016099AAAP

料号 ▶ 6095D201US0AR1A

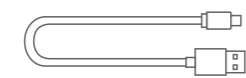
## 1. What's in the box



Kami Doorbell Camera x 1



Screw Bag x 1



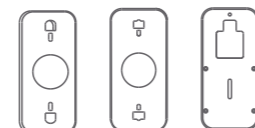
Charging Cable x 1



Battery x 1

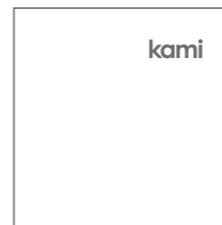


Chime Connector x 1

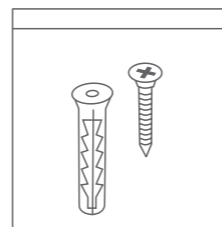


Angled Backplate x 3

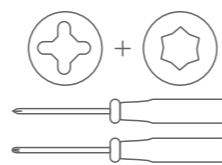
1



Manual x 1

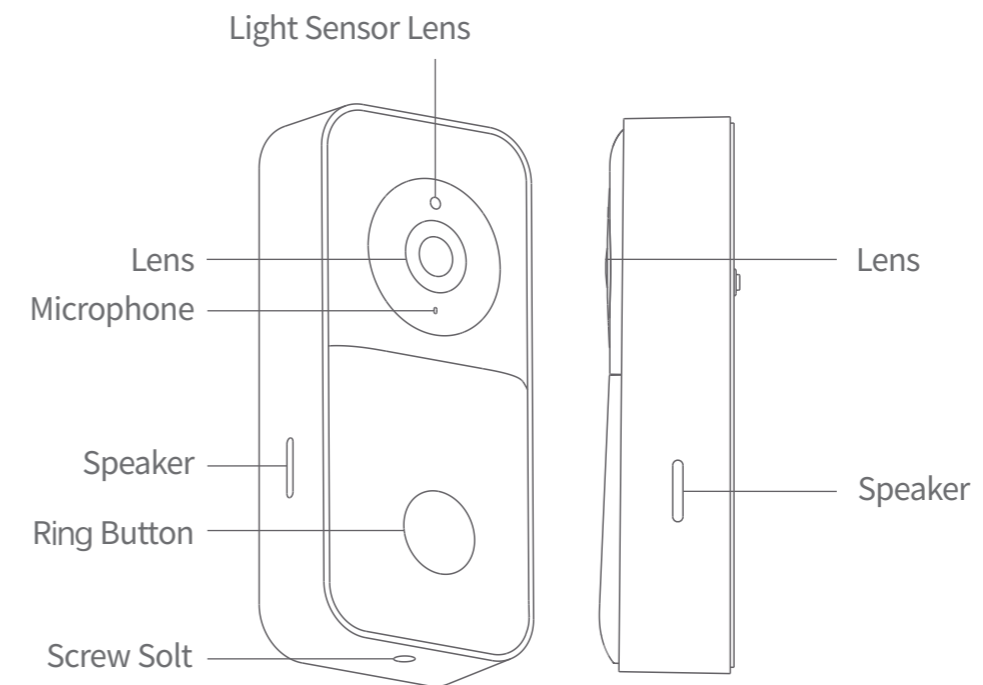


Installation Hardware x 1

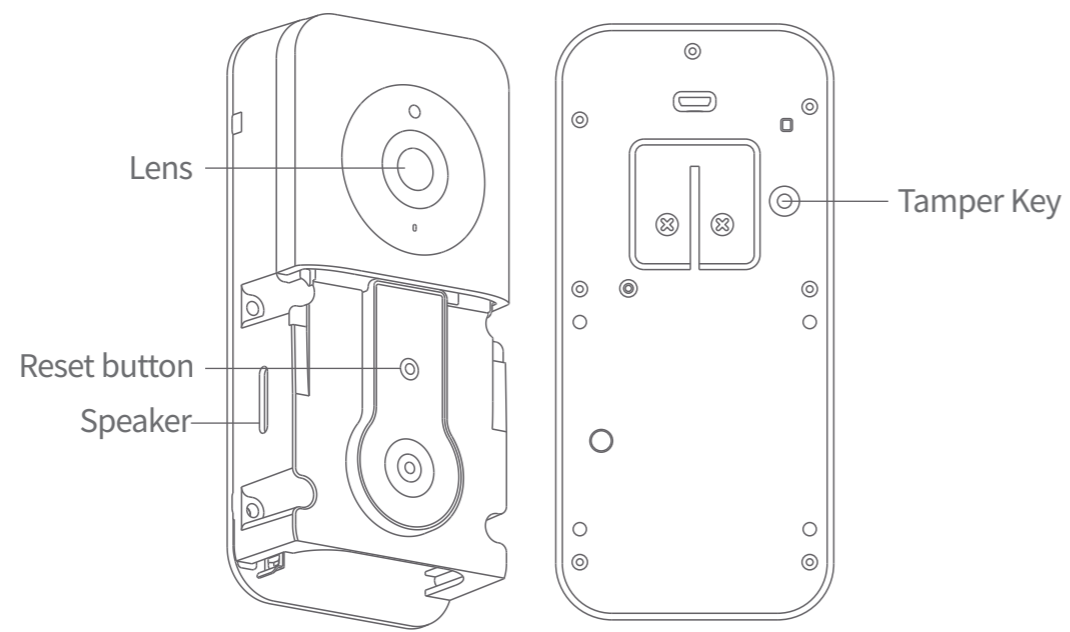


Screwdriver x 2

## 2. Get to know your doorbell camera



2

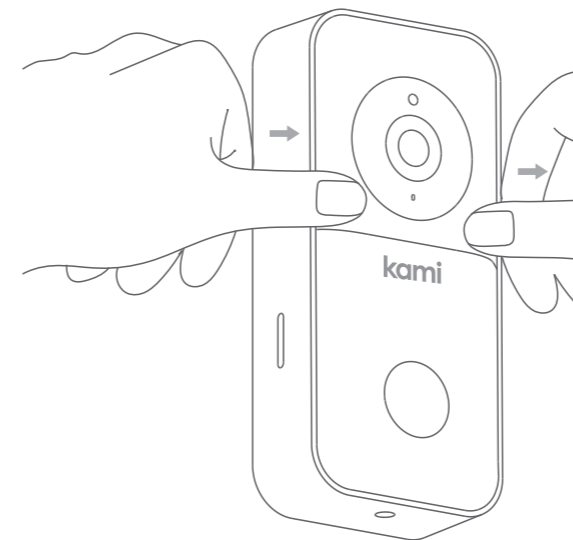
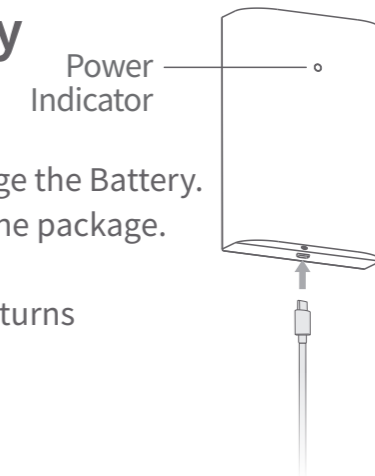


3

### 3. Charge + Insert battery

#### 1) Charge the battery (optional)

If this is the first time to install, please charge the Battery. Use the power adapter and power cord in the package. Insert the charging port to charge. The indicator flash when charging, When it turns green, the battery is fully charged.



4

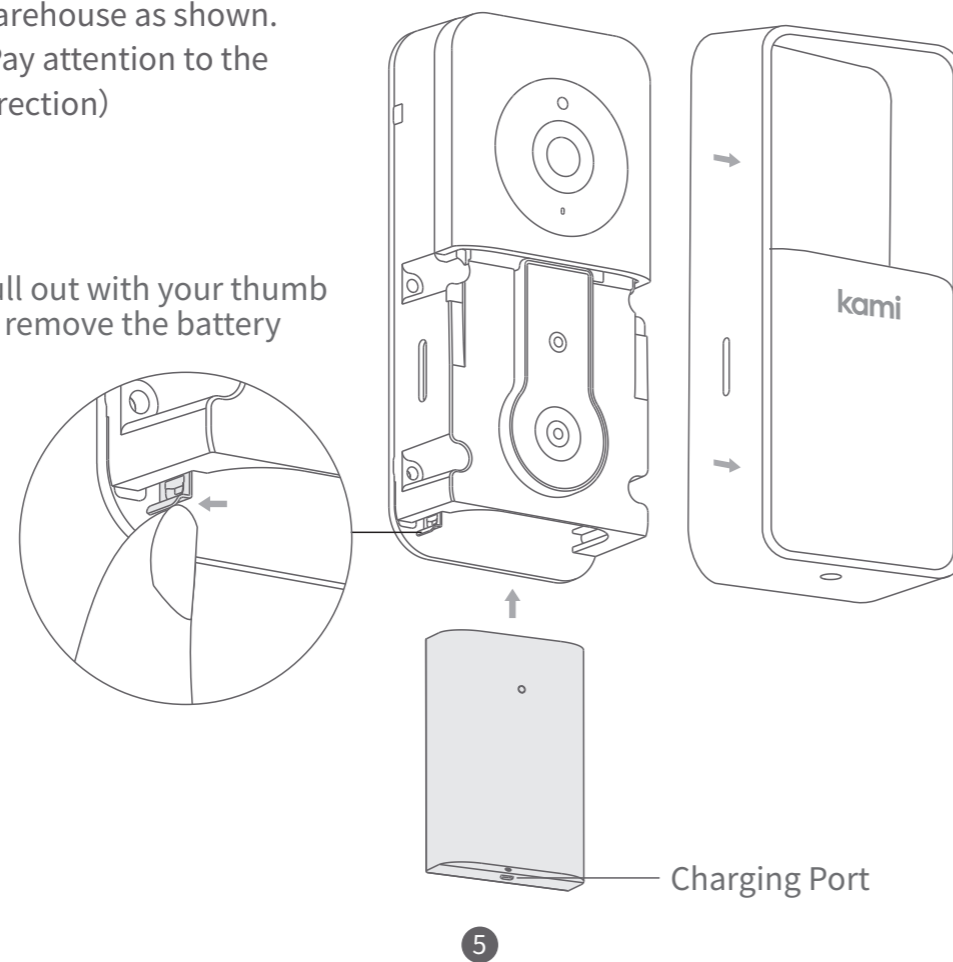
#### 2) Remove the protective cover

As shown on the left: press down with your thumb and pull the protective cover back with your index finger.

### 3) Install / Remove the battery

After Remove the protective cover, Push the battery into the battery warehouse as shown.  
(Pay attention to the direction)

Pull out with your thumb to remove the battery



## 4. Getting started

### Step 1

Download the Kami Home App. Register a Kami account and log in.

### Step 2

After logging into your Kami Home App, tap the "+" sign and select Kami Doorbell Cam.

### Step 3

After logging into your Kami Home App, tap the "+" sign and select Kami Doorbell Cam.

### Step 4

Press the Operating Button to power on the device. When the light blinks and "Waiting to connect" is heard, tap "I heard 'Waiting to connect'" on your screen.

6

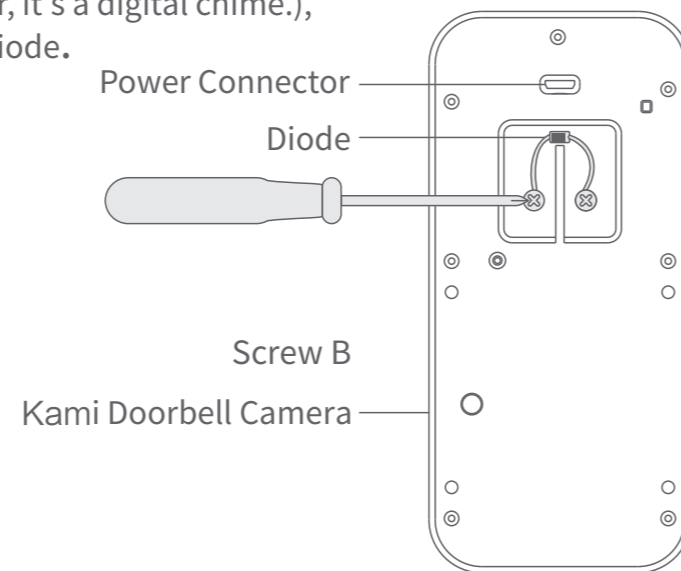
## 5. Installation recommendations

### 1) Remove the original doorbell (optional)

If you are replacing an existing doorbell, please remove and remove the doorbell and disconnect the wires with the switch off.

### 2) For electronic doorbell: install diode (optional)

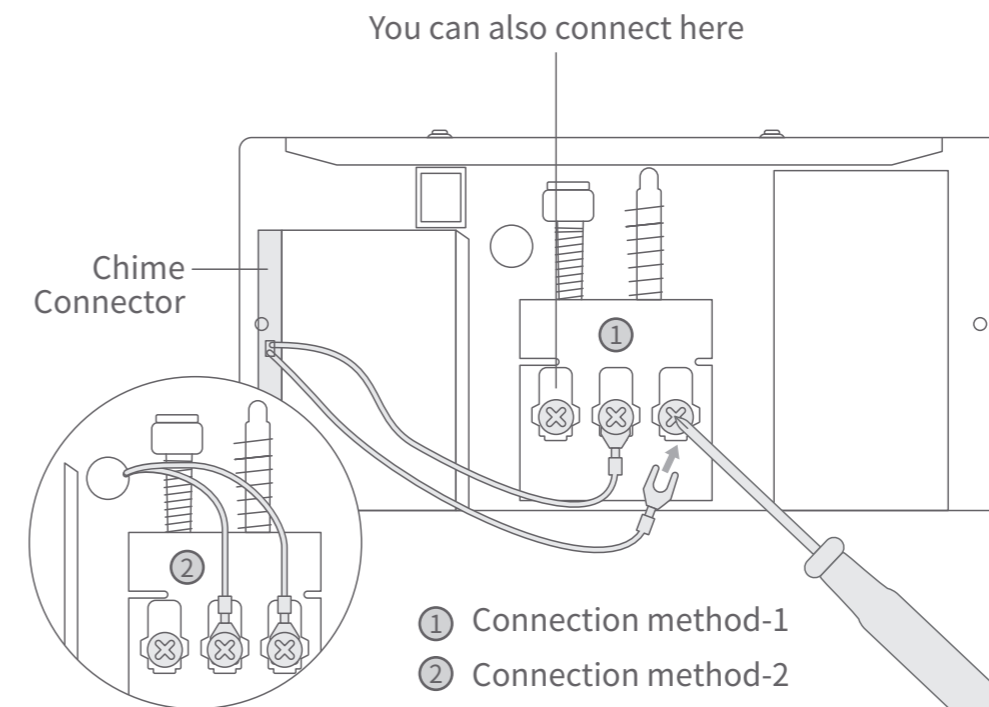
- If you connect the doorbell with an electronic bell (If your existing doorbell has a speaker, it's a digital chime.), You need to install a diode.
- If you are using a mechanical indoor doorbell, please do not install a diode, it will damage the existing doorbell.
- Please note that the anode and cathode of the diode need to be consistent with the anode and cathode of the wire.



7

### 3) For mechanical doorbell: install chime connector (optional)

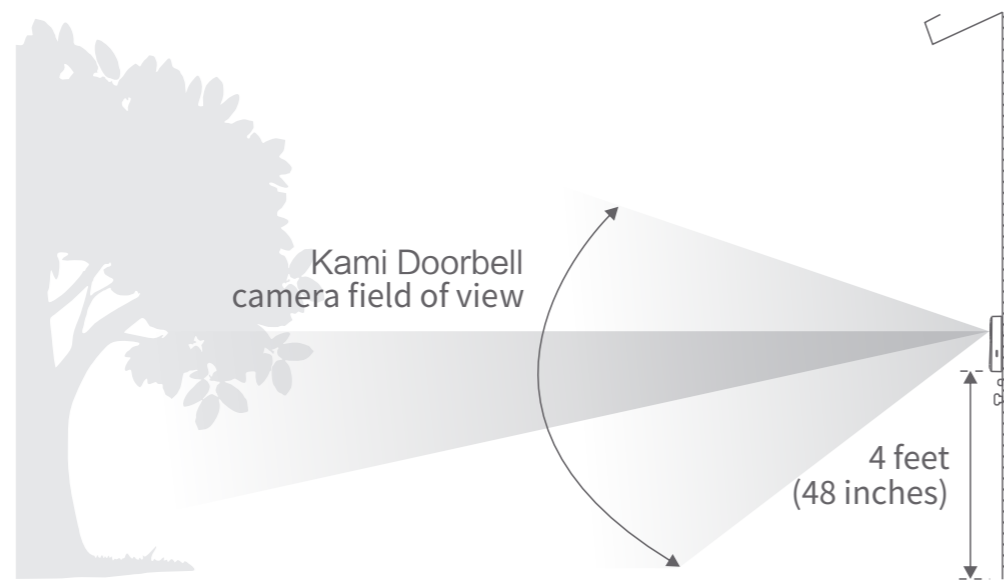
If you are using a mechanical chime, please install the chime connector. To ensure a stable power supply. If you don't want chime to make a sound, please connect the wires as shown in the picture.



8

#### 4) Height and distance recommendations

The best range for the doorbell to capture the dynamics is 0-4m. For the installation height we recommend 1.2m, to better capture the dynamics near the ground.



9

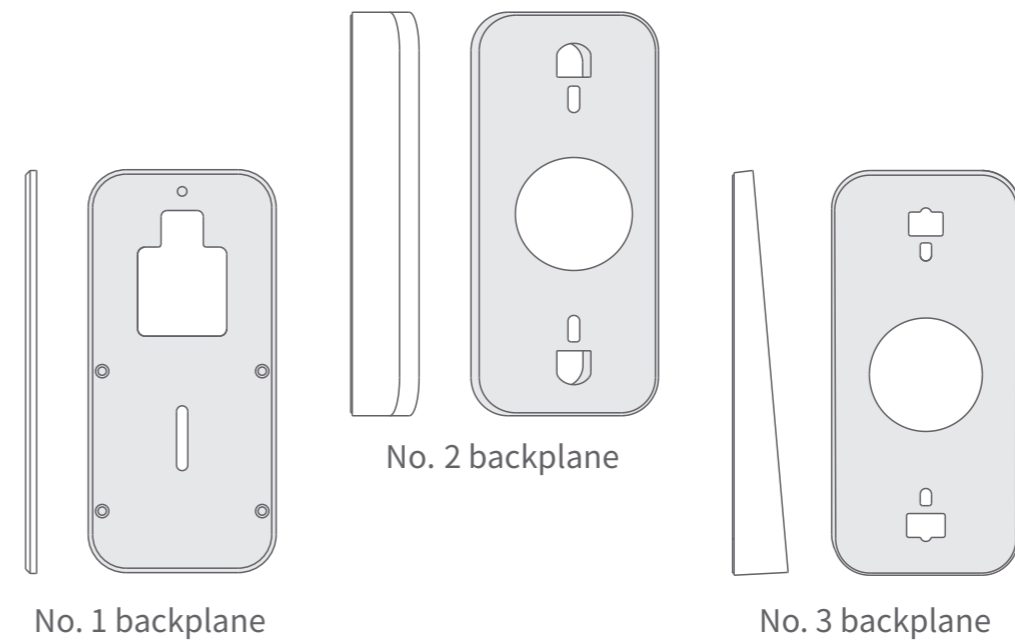
#### 5) Suggested installation angle

You can use the different angle plates we provide to meet the main content of the shooting screen.

If you don't want to change any angle, choose No. 1 backplane.

If you want to change the lateral angle, choose No. 2 backplane.

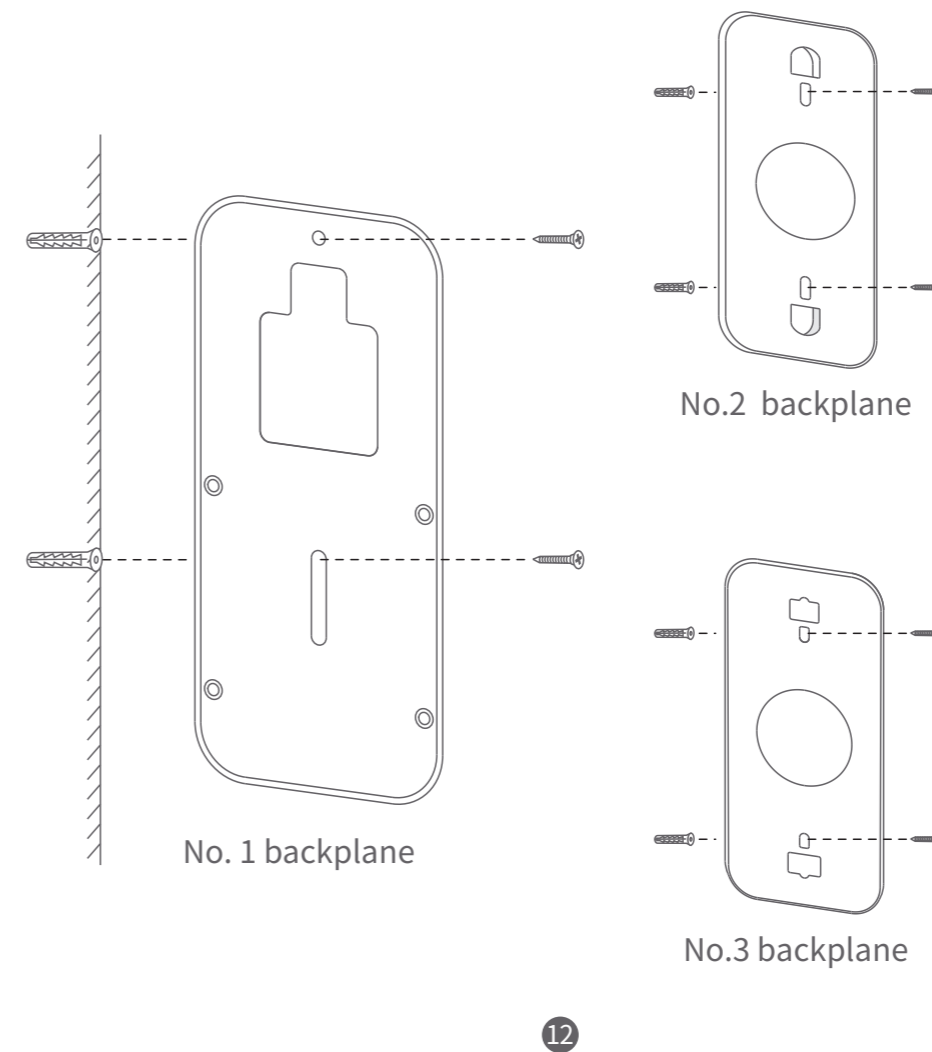
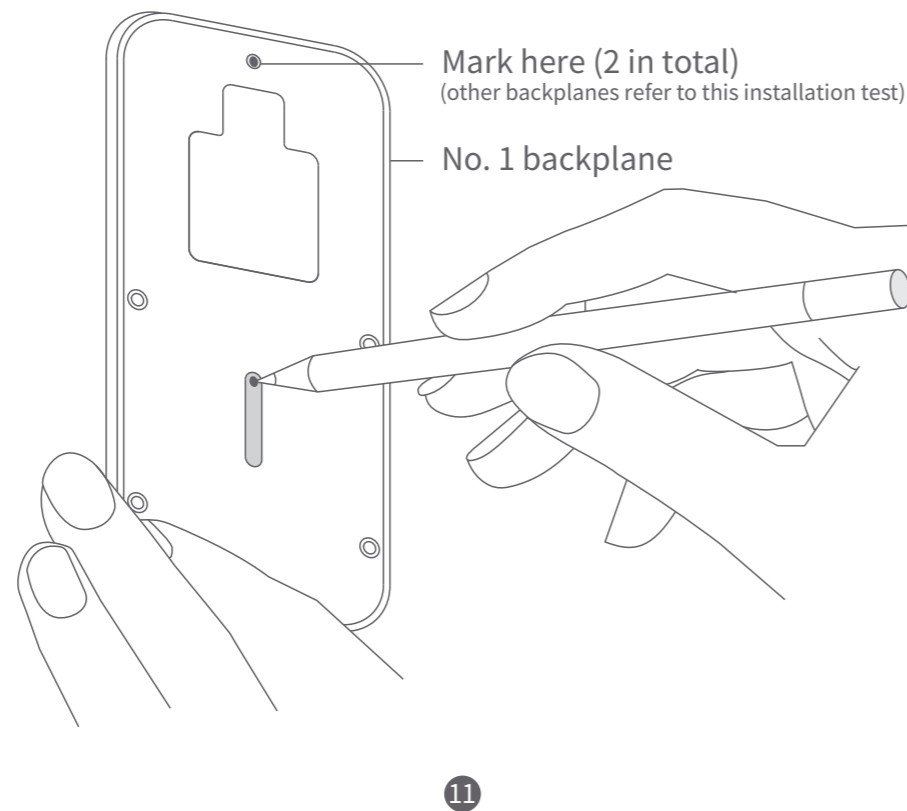
If you want to change the vertical angle, choose No. 3 backplane.



10

## 6) Fixed backplane, wood does not require expansion screws (optional)

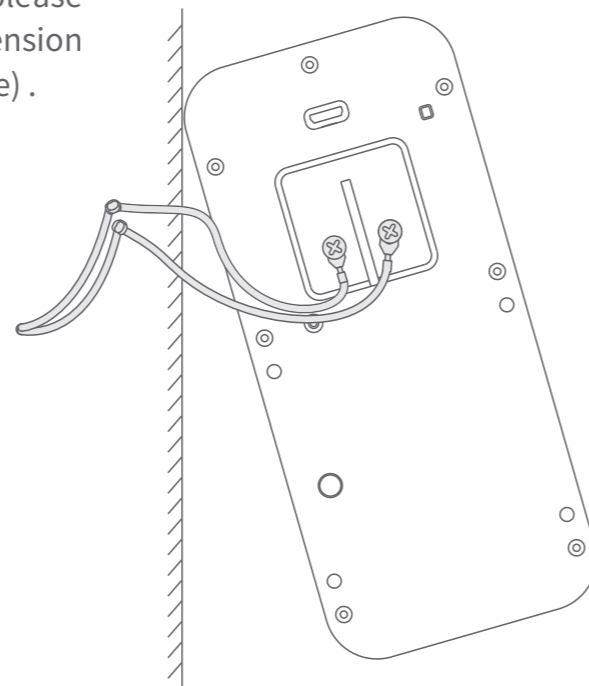
If you are using a mechanical chime, please install the chime connector. To ensure a stable power supply. If you don't want chime to make a sound, please connect the wires as shown in the picture.



### 7) Connecting wire (optional), optional extension cable (optional)

Connect the wires coming out of the wall to the screws on the back of the doorbell.

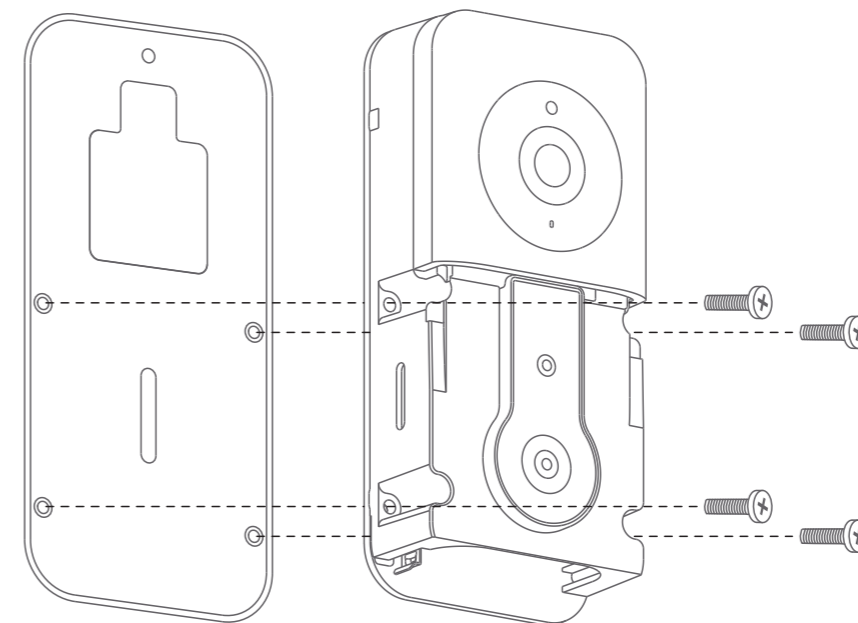
Any wire can be connected to any screw. The order does not matter. If you have trouble connecting the wires coming out of the wall to the back of the doorbell, please use the included wire extension cord and wire nut. (Picture) .



13

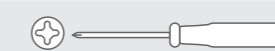
### 8) Fix the host and backplane

Feed all wires (and wire nuts, if you use them) into the wall and use four screws to secure your doorbell to the wall.



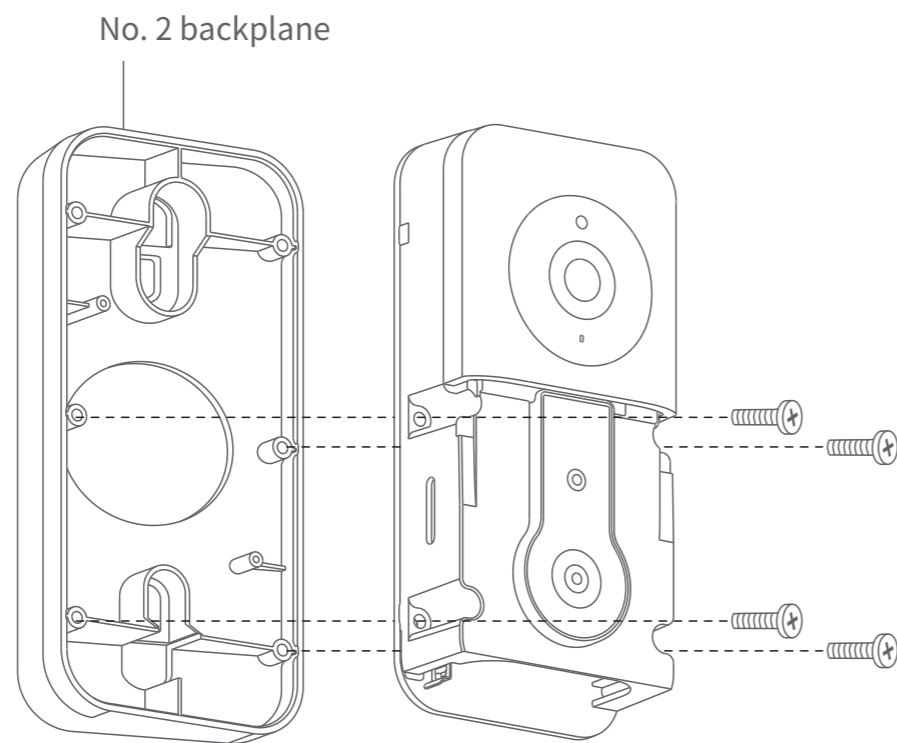
No. 1 backplane

 Screw C



14

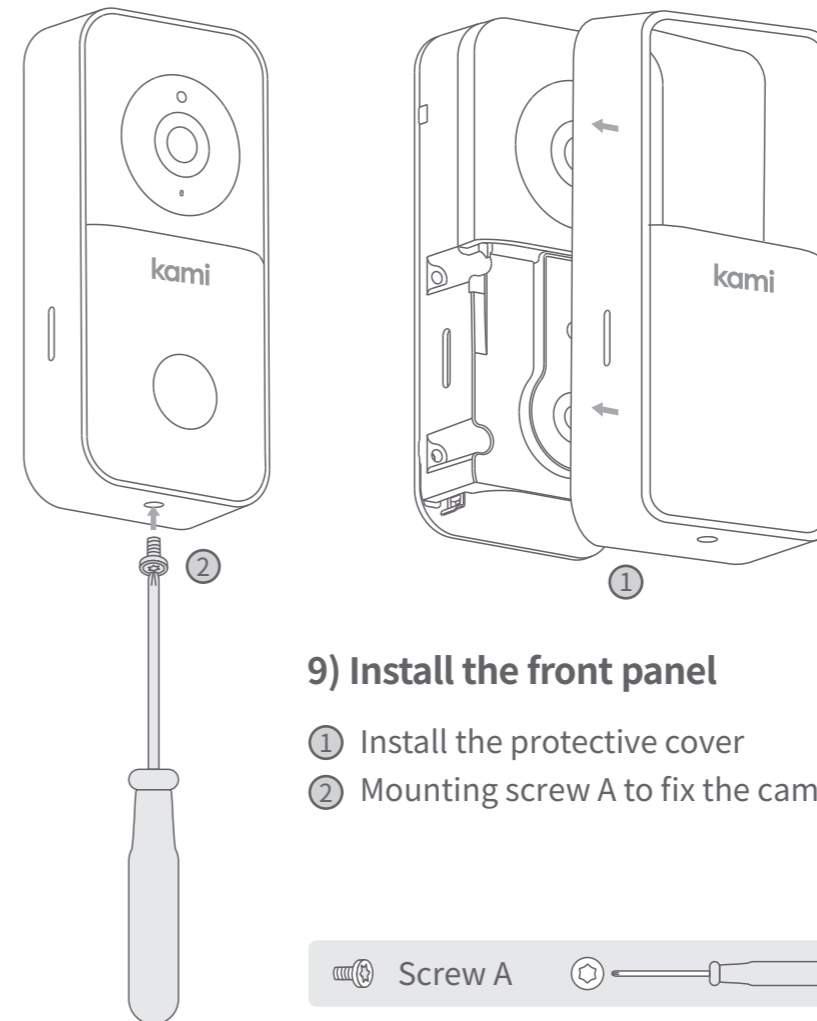




No. 2 backplane + No. 3 backplane



15



### 9) Install the front panel

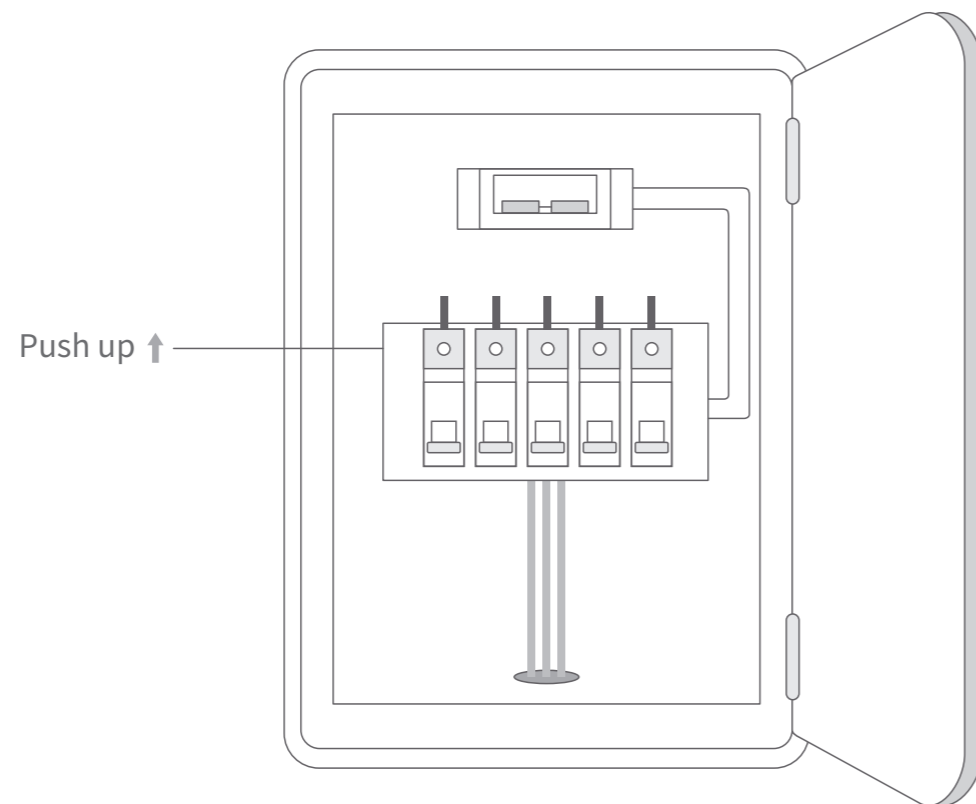
- ① Install the protective cover
- ② Mounting screw A to fix the camera



16

## 10) Switch back

To complete the installation, please dial back the switch to test the power and connection of the doorbell. The indicator light is green to indicate normal status.



## FCC COMPLIANCE STATEMENT:

This device complies with part 15 of the FCC Rules. Operation is subject to the following two conditions: (1) This device may not cause harmful interference, and (2) this device must accept any interference received, including interference that may cause undesired operation.

Changes or modifications not expressly approved by the party responsible for compliance could void the user's authority to operate the equipment.

The distance between user and products should be no less than 20cm

This equipment has been tested and found to comply with the limits for a Class B digital device, pursuant to part 15 of the FCC Rules. These limits are designed to provide reasonable protection against harmful interference in a residential installation. This equipment generates, uses and can radiate radio frequency energy and, if not installed and used in accordance with the instructions, may cause harmful interference to radio communications. However, there is no guarantee that interference will not occur in a particular installation. If this equipment does cause harmful interference to radio or television reception, which can be determined by turning the equipment off and on, the user is encouraged to try to correct the interference by one or more of the following measures:

- Reorient or relocate the receiving antenna.
- Increase the separation between the equipment and receiver.
- Connect the equipment into an outlet on a circuit different from that to which the receiver is connected.
- Consult the dealer or an experienced radio/TV technician for help.

**FCC ID: 2AFIB-YDS20120**