

YORK[®] **PRESTIGE**

TECHNICAL GUIDE

ZX/ZY SERIES
3 - 12.5 TON
60 HERTZ



Table of Contents

Table of Contents	2
Component Location	3
Factory Installed Options	7
Field Installed Accessories	8
Nomenclature	10
AHRI Cooling Rating Table	13
AHRI 270 Outdoor Sound Power Levels	13
Physical Data	14
Capacity Performance	45
Airflow Performance	82
Power Exhaust Blower Curves	98
Electrical Data	99
Typical Wiring Diagrams	141
Weights and Dimensions	163
Economizer Options	173
Guide Specifications	176

Product Highlights

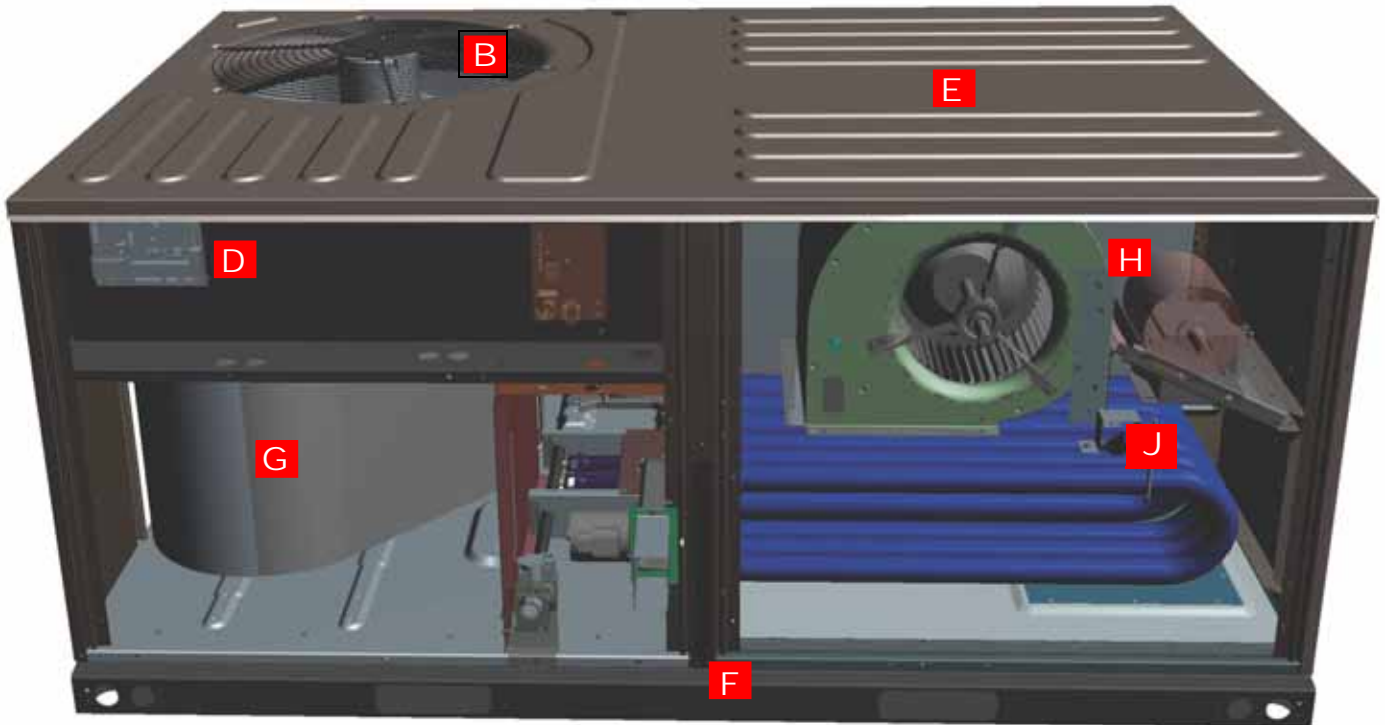
- Assembled in Norman, OK
- ASHRAE 90.1 Compliant
- R-410A Refrigerant
- Cooling Only and Gas/Electric configurations available
- Scroll Compressors
- Up to 15.4 SEER and 12.2 EER on the Energy Star Compliant Energy Level
- Up to 13.0 SEER and 11.2 EER on the ASHRAE 90.1 Compliant Standard Efficiency Level
- State of the art Microprocessor Controls with specific programming for unitary product applications
- MicroChannel Condenser Coils
- Evaporator coils utilize copper tube/aluminum fin design for proven reliability and performance.
- TXV (Thermostatic Expansion Valve) Standard on: (ASHRAE 90.1 Compliant Standard Efficiency Level 5 - 12.5 ton models and Energy Star Compliant Efficiency Level 3 - 10 ton models)
- Single-stage Cooling (3 -6 ton models)
- Two-stage Cooling (7.5 - 12.5 ton models)
- Alternate Motor and Drives

Options and Accessories

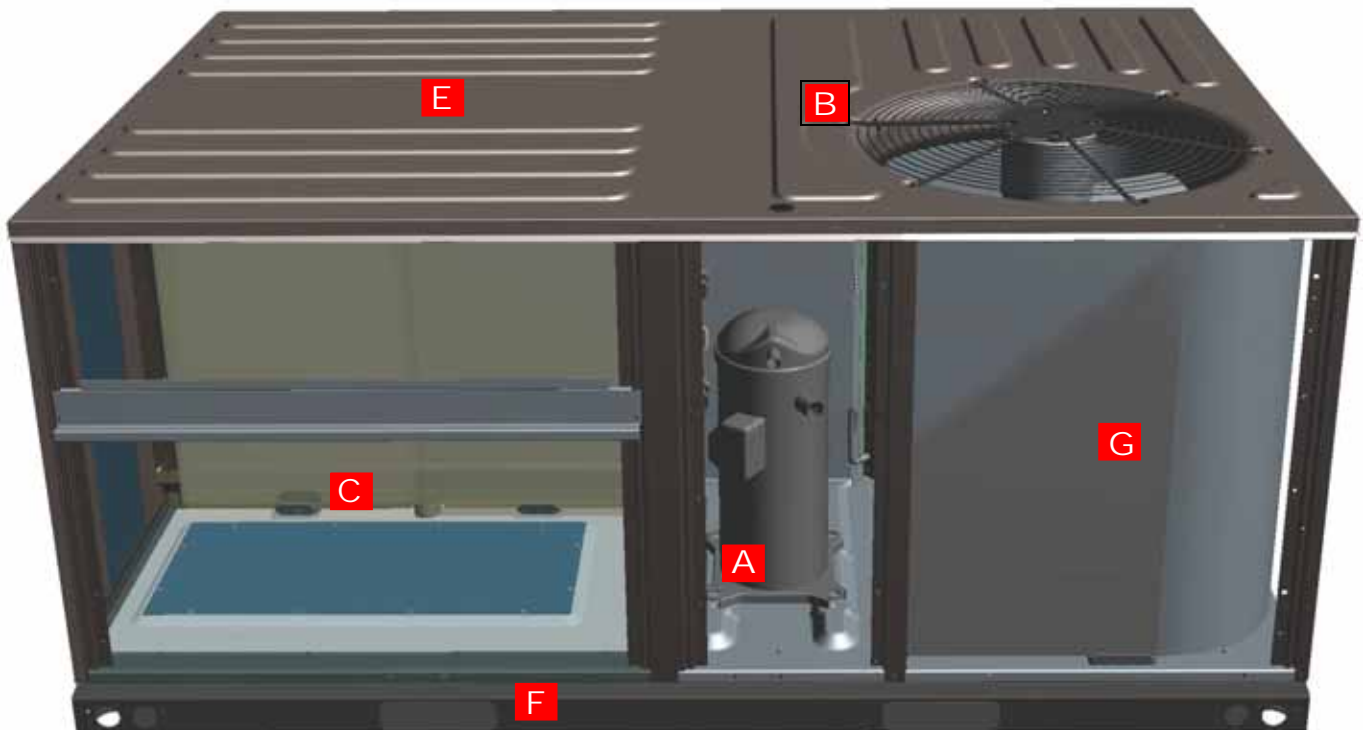
- Economizers with Barometric Relief
- Louvered Hail Guards
- Non-fused Disconnect (Verify on the unit nameplate that the disconnect is properly sized for the application. Units with field installed electric heat may exceed the factory installed disconnect amperage rating.)
- Power Exhaust
- Propane Conversion Kits
- High Altitude Heating Conversion Kits
- Flue Exhaust Extension Kit
- Flue Heat Shield
- Smoke Detectors
- Manual and Motorized Dampers
- Hinged Cabinet Doors
- Low Ambient Head Pressure Control Kit (ZX04-ZX12 and ZY04-ZY09)
- Optional Stainless Steel Heat Exchanger (Standard on 3-5 Ton Low-NOx Models)
- Thru-The-Base Connections for power, gas and control wiring.
- IntelliSpeed™ with Premium Efficiency indoor motors to meet ASHRAE 90.1-2010 requirements (7-12.5 ton models)
- Field Installed Electric Heat Kit (ZX- 3-12.5 ton, ZY- 3-10 ton), Installation Instruction for the Electric Heat Kits may be found in the Electric Heat Kits.

Component Location

Cooling With Gas Heat (3 Through 5 Ton)



Click on the letters to see a description of the features.



Features and Benefits

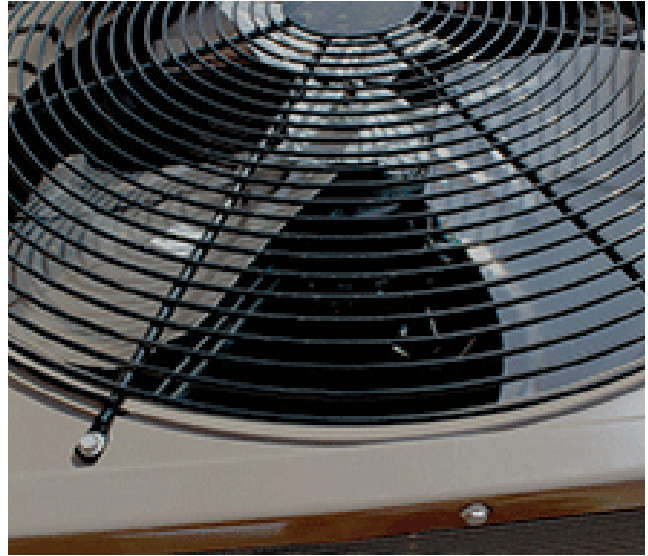
Two Tiers of Efficiency - Entry level efficiency provides a cost effective 13 SEER/11.2 EER product that meets ASHRAE 90.1 requirements. The Mid-efficiency meets the requirements for Energy Star that exceeds 15 SEER and 12 EER. Gas/electric units have electronic spark ignition and power vented combustion steady state efficiencies of 80%. These efficiencies meet or exceed all legislated minimum levels providing lower operating costs.



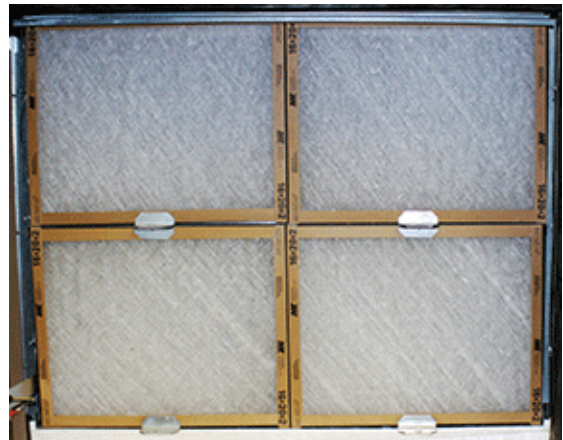
A All models utilize a scroll compressor that are environmentally friendly by utilizing R-410A refrigerant. Use of the scroll compressor technology means a simple internal design, fewer moving parts, equating to a quiet, reliable, easy to service and efficient system. Internal compressor protection is standard and compressors include protection to prevent liquid damage.

Total system design - A TXV is used for precise metering on the 6-12.5 Ton products and a fixed orifice is used to keep the cost of the product down on the 3-5 ton product. Two independent refrigerant circuits and compressors are used on the 7.5- 12.5 ton units for economical and precise control. A single circuit, single compressor design is used on the 3-6 ton units for cost effectiveness and reliability without compromising quality.

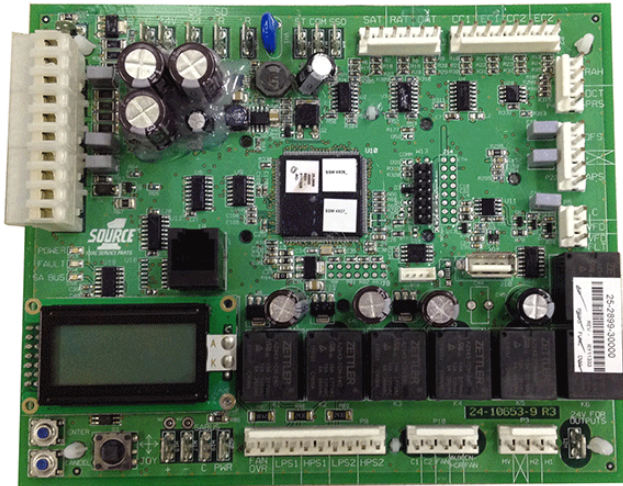
System Protection - Liquid line filter-driers, high and low pressure safeties are standard on each independent refrigerant circuit. Suction line sensors monitor temperature to prevent possible liquid flood back to the compressors and also protect against loss of charge and coil frosting.



B **Balanced outdoor fan design makes for a quieter unit** - The outdoor condenser fans are dynamically balanced for better performance and reliability. The direct drive fan design mounted to the fan grill allows for quick and easy service. Where other's components might fail at extreme temperatures UPG's units are tested and rated up to 125°F ambient cooling operation.



C **Convertible Filter Rack** - No tools required for easy field conversion of the filter rack to accommodate either 2" or 4" filters. Units will ship with MERV 4 throwaway filters standard; however MERV 8 and MERV 13 filters can be easily added through the tool-free filter access panel to meet LEED requirements. Refer to physical data tables for filter size details.



D Units will come with the new state of the art **Simplicity SE (Smart Equipment) control system**. The new unit control incorporates the best of the already proven Simplicity™ unitary controls and creates a more robust, intelligent control. The goal of this control is to utilize cutting edge technology making the equipment easier to install, operate, and service. All units are Factory commissioned, configured, and run tested.

Versatile - The Simplicity SE control can be configured to use with a standard thermostat (easy to connect screw terminals), A zone sensor, or can be setup to communicate with multiple BAS communication protocols to integrate with building automation systems.

Reduce field installed complexity - Each unit will come equipped with factory installed supply air, return air, and outdoor air temperature sensors providing key temperature readings thus reduce field installed complexity.

On-board USB Port - The new control comes with a long list of features including data logging, current and previous system faults and software update capabilities using the on board USB port and common flash drive. Energy use monitoring capabilities allow custom tailoring to allow a system to work more efficiently at all times and occupancy levels. Self test and start-up reports also available from the board VIA the USB port.

Embedded LCD Display - The board has a easy to read, built-in LCD display and easy to use navigation joystick and buttons allowing the user to quickly navigate the menus displaying unit status, options, current function, supply, return and outdoor temperatures, fault codes and other information.

Safety Monitoring - The control monitors the outdoor, supply, and return air temperatures and the high and low pressure switch status on the independent refrigerant circuits. On units with heating the gas valve and high temperature limit switches

are monitored on gas and electric heating units. The control also monitors the voltage supplied to the unit and will protect the unit if low voltage due to a brown out, or other electrical issue occurs.

Low Ambient - An integrated low-ambient control allows units to operate in the cooling mode down to 0°F outdoor ambient without additional components or intervention. Optionally, the control board can be programmed to lockout the compressors when the outdoor air temperature is low or when free cooling is available.

Anti-Short Cycle Protection - To aid compressor life, an anti-short cycle delay is incorporated into the standard control. Compressor reliability is further ensured by programmable minimum run times. For testing, the anti-short cycle delay can be temporarily overridden with the push of a button.

Fan Delays - Fan on and fan off delays are fully programmable. Furthermore, the heating and cooling fan delay times are independent of one another. All units are programmed with default values based upon their configuration of cooling and/or heating capacity.

Nuisance Trip Protection and Three Strikes - To prevent nuisance calls, the control board uses a three times, you're out philosophy. The high, low-pressure switch, anti-freeze protection, low voltage or heating high limit must trip three times within two hours before the unit control board will lock out the associated compressor. The same safety must trip three times before a hard lockout will occur.



E Robust design - Each unit is designed with an embossed top to increase structural support and ensure rigidity. The unit has a powder paint exterior finish including a industry leading 1000 hour salt spray rating. All units are painted with a long lasting, powder paint that stands up over the life of the unit.

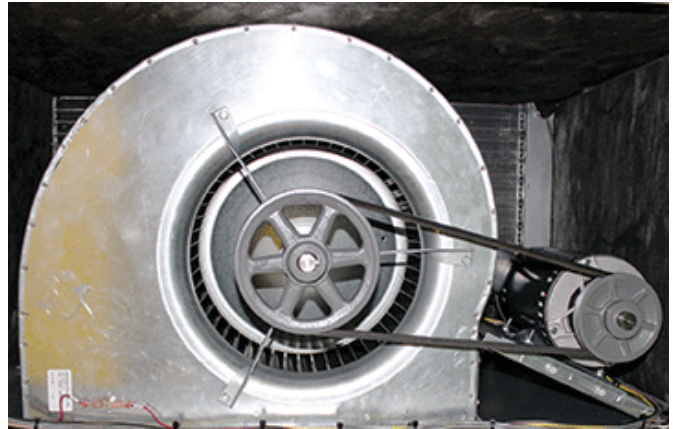


F Full Perimeter base rail that fits on many existing curbs with the stability to withstand an earthquake - This product was designed with the replacement market in mind which is why it will fit on many existing curbs in the field but it also takes into account the new construction market by being versatile and sturdy. This unit is equipped with heavier gauge and innovatively designed base rails to prevent damage from transporting and rigging.



G Coils - All units utilize Micro-Channel "all-aluminum" condenser coils that provides improved heat transfer capabilities and reduced refrigerant charge volumes. This equates to all units meeting LEED EA Credit 4 Requirements for Enhanced Refrigerant Management. (Make sure to use the EA 4 Credit 4 Calculator available at UPGnet.com to ensure that the entire project meets the requirements). MicroChannel coils are also much easier to clean than your typical fin/tube designs.

All evaporator coils utilize copper tube with aluminum fin design for proven reliability and performance.



H Rigid Mounted Blower Assembly - Dynamically balanced indoor fans ensure better performance and reliability. Large access panels for easier access, service, and maintenance. X13 Direct drive (Standard Static Option) and belt drive (Medium Static and High Static Options) options available on 3-5 ton products. The belt drive option is standard on 6-12.5 ton products. Low, Medium, and High Static drive options for airflow versatility up to 2" ESP with no field installed drive packages necessary. The X13 motor technology offers several benefits w/ respect to efficiency, operation, comfort, and cost when compared to other motors. Premium efficiency indoor motors are standard on ZY06 and ZX14. The IntelliSpeed option is available on 10 & 12.5 ton products to meet ASHRAE 90.1 and Title 24 Requirements. The blower section includes a dual density insulation for indoor air quality.



J Balanced Heating - The two stage gas heating offers ultimate heating comfort with a balance between 1st and 2nd stage gas heating. The first stage of a two stage gas heat option provides approximately 70% of the heating capacity in all 3-12.5 tons two stage gas heat models. Balanced heating allows the unit to better maintain desired temperatures and helps saves energy. Low-NOx comes standard with a stainless steel heat exchanger to meet California environmental requirements. The heat exchanger section includes foil faced insulation that is not only environmentally friendly but meets all NFPA codes.

Warranty - All models include a 1-year limited warranty on the complete unit. Compressors and electric heater elements each carry a 5-year warranty. Aluminized steel heat exchangers carry a 10-year warranty and stainless steel heat exchangers carry a 15-year warranty.

Factory Installed Options

(Nomenclature Digit Position)

Airflow Options (8)

Alternate Indoor Blower Motor - For applications with high static restrictions, units are offered with optional indoor motors providing higher external static capability and/or higher airflow, depending upon the installer's needs.

- A=Standard Static (Direct Drive for 3-5 ton; Belt Drive for 6-12.5 Ton)
- B=Medium Static (Belt Drive for 3-12.5 Ton)
- C=High Static (Belt Drive for 3-12.5 Ton; 3 Phase Models Only)

VFD/VAV Options (9)

IntelliSpeed™ Supply Fan Control Option (ASHRAE 90.1 compliant, section 6.4.3.10) - Units configured with the IntelliSpeed™ Supply Fan Option will contain a VFD for variable volume supply fan operation. This option allows the supply fan RPM to vary based on the number of compressors or heating stages energized. The economizer's minimum position is also configurable.

- 1=None (Comes with standard constant volume controls)
- 3=VFD IntelliSpeed

Coil Options (10)

E-Coat Coils – Coils are coated with an epoxy polymer coating to protect against corrosion. A 3-year warranty is added when this option is selected.

- A=Standard Indoor & Outdoor Coils (fin/tube design on indoor coil and MicroChannel design used on outdoor coil with no E-Coat coating added).
- B=Standard Indoor Coil & E-Coat Coil Outdoor Coil (fin/tube design on indoor coil and MicroChannel design used on outdoor coil. E-Coat coating added to outdoor coil)
- C= E-Coat Indoor Coil & Standard Outdoor Coil (fin/tube design on indoor coil and MicroChannel design used on outdoor coil. E-Coat coating added to indoor coil)
- D= E-Coat Indoor Coil & Outdoor Coil (fin/tube design on indoor coil and MicroChannel design used on outdoor coil. E-Coat coating added to indoor and outdoor coil)

Controls (11)

Simplicity SE (Smart Equipment) - This is the Standard microprocessor control with capabilities to work with a sensor or thermostat only. Simplicity SE with BAS includes communication board with BACnet open-protocol system.

- A=Simplicity SE
- B=Simplicity SE + BAS (Standard Simplicity SE with BacNet communication)

Sensor Options (12)

- 1=None (Units come standard with factory installed supply air, return air, and outdoor air temperature sensors)
- 2=RA Smoke Detector
- 3=SA Smoke Detector
- 4=RA & SA Smoke Detector

Economizer/Damper (13)

Down flow Economizers (with barometric relief) - All units offer a variety of optional factory installed economizers that are shipped, installed and wired with AMCA 511 Licensed Class 1A low leak dampers designed to exceed ASHRAE 90.1-2010 and the International Energy Conservation Code (IECC) certification requirements by achieving leakage rates of 3 cfm/sq. ft. at 1" of static pressure. Each economizer goes through a rigorous 60,000 cycle test. Dry bulb, single enthalpy, and dual enthalpy (with field installed kit) can be selected. All economizer options are fully integrated into the Simplicity SE controls. The economizer has spring return, fully modulating damper actuators and is capable of introducing up to 100% outdoor air. As the outdoor air intake dampers open, the return air dampers close. The changeover from mechanical refrigeration to economizer operation is regulated by the outdoor air dry bulb temperature or the outdoor air enthalpy input. The dual enthalpy kit provides a second input used to monitor the return air (field installed). The installer needs only to assemble the outdoor air hood, attach the enthalpy control the hood and mount the hood to the unit (Hood and control are provided).

Dry Bulb Economizer - Economizer operation is enabled by the outdoor air temperature being less than the setpoint of the economizer module.

Enthalpy Economizer - The added outdoor air enthalpy sensor enables economizer operation if the outdoor enthalpy is less than the setpoint of the economizer logic module.

- A=None
- B=Dry Bulb Economizer
- C=Enthalpy Economizer

Convenience Outlet (14)

Convenience Outlet - (Powered and Non-Powered) - This option locates a 120V single-phase GFCI outlet with cover, on the corner of the unit housing adjacent to the compressors. The Non-powered option requires the installer to provide the 120V single-phase power source and wiring. Factory installed option only.

- 1=None
- 2=Non-powered Convenience Outlet
- 3=Powered Convenience Outlet

Electrical Options (15)

Disconnect Switch - For A/C with gas heat and A/C units only: an optional, properly sized, non-fused disconnect for the unit maybe provided.

For A/C only units for use with field installed electric heat kits, two factory installed disconnect sizes are available (60A or 100A non-fused disconnect). Depending on the field installed heater kit selected, the factory installed disconnect may not be sufficient. Always refer to the unit nameplate or unit electrical data for the proper disconnect size. If the heater application requires a disconnect above 100 Amps, the factory installed disconnect should be removed and an appropriately sized external disconnect should be installed.

- 1=None
- 2=Non-fused Disconnect¹

1. Verify on the unit nameplate that the disconnect is properly sized for the application. Units with field installed electric heat may exceed the factory installed disconnect amperage rating.

Cabinet Options (16)

Louvered Hail Guard - This kit includes a decorative louvered panel which installs over the outside condenser coil and prevents damage to the coil fins from hail strikes.

Hinged Cabinet Doors - The factory installed hinged panel option will save time, money and labor while allowing easy servicing of blower components, filters and controls. With this option there is no longer a need to remove panels to access these critical sections and running the risk of losing panels or roof damage from loose panels and materials. Extra care was taken to design a durable hinged panel with leak tight seal.

- 1=None
- 2=Louvered Panels
- 3=Hinged Cabinet Doors
- 4=Hinged Cabinet Doors And Louvered Panels

Field Installed Accessories

- **Down flow Economizers/Horizontal Economizers (with barometric relief)** - All units offer a variety of field installed economizers that are installed and wired with AMCA 511 Licensed Class 1A low leak dampers designed to exceed ASHRAE 90.1-2010 and the International

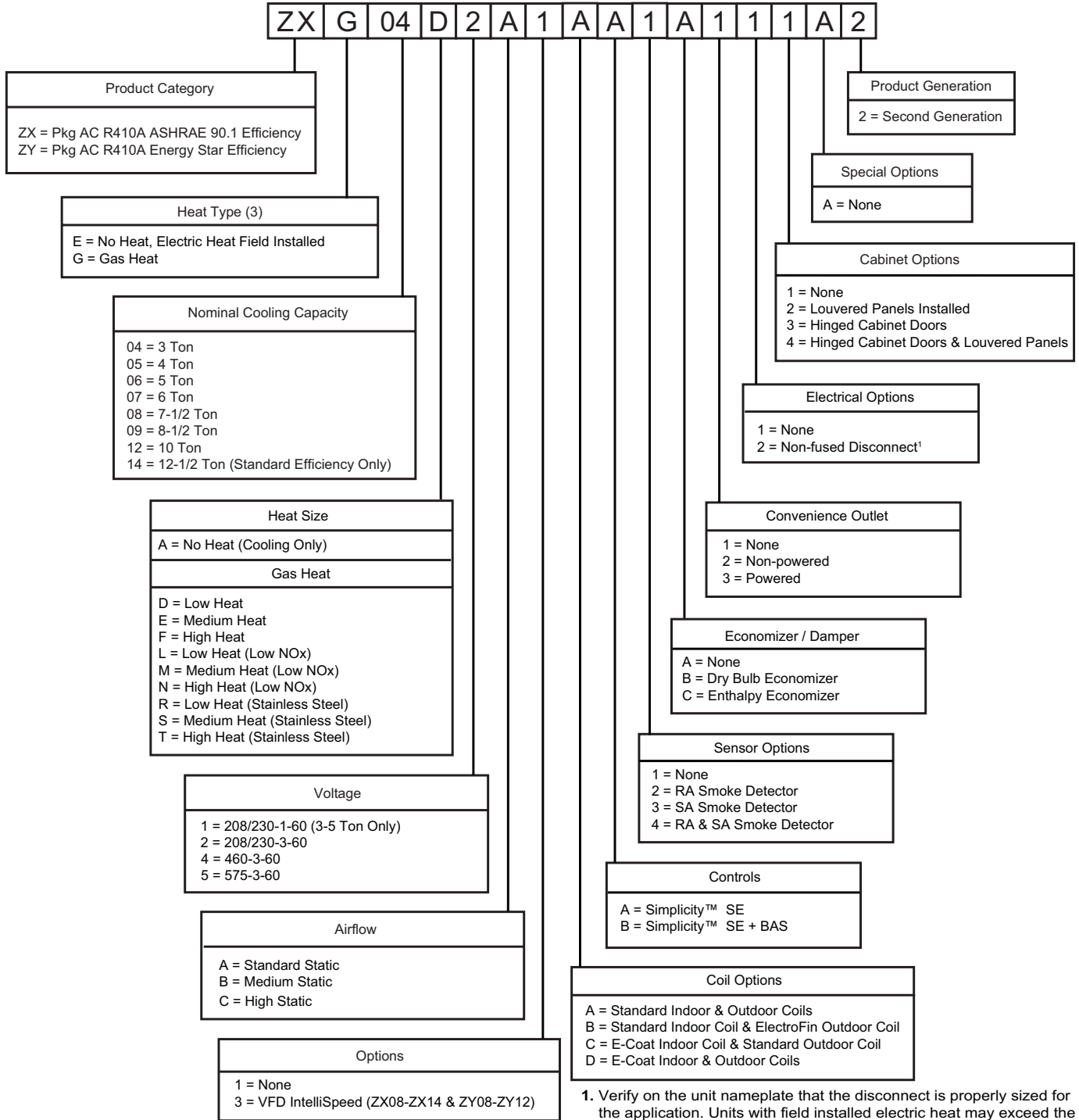
Energy Conservation Code (IECC) certification requirements by achieving leakage rates of 3 cfm/sq. ft. at 1" of static pressure. Each economizer goes through a rigorous 60,000 cycle test. Dry bulb, single enthalpy, and dual enthalpy (with field installed kit) can be selected. All economizer options are fully integrated into the Simplicity SE controls. The economizer has spring return, fully modulating damper actuators and is capable of introducing up to 100% outdoor air. As the outdoor air intake dampers open, the return air dampers close. The changeover from mechanical refrigeration to economizer operation is regulated by the outdoor air dry bulb temperature or the outdoor air enthalpy input. The dual enthalpy kit provides a second input used to monitor the return air (field installed). The installer needs only to assemble the outdoor air hood, attach the enthalpy control the hood and mount the hood to the unit (Hood and control are provided).

- **Dry Bulb Economizer** - Economizer operation is enabled by the outdoor air temperature being less than the setpoint of the economizer module.
- **Single Enthalpy Control, Accessory for Economizer** - All field installed economizers will come standard as a dry bulb economizer. This kit adds an outdoor air enthalpy sensor which enables economizer operation if the outdoor enthalpy is less than the setpoint of the economizer logic module.
- **Dual Enthalpy Control, Accessory for Economizer** - All field installed economizers will come standard as a dry bulb economizer. This kit adds an outdoor air enthalpy sensor and return air enthalpy sensor which enables economizer operation if the outdoor enthalpy is less than the setpoint of the economizer logic module.
- **Power Exhaust** - This accessory installs in the unit with a down flow economizer or in the ductwork for a horizontal application.
- **Louvered Hail Guard** - This kit includes a decorative louvered panel which installs over the outside condenser coil and prevents damage to the coil fins from hail strikes.
- **Flue Exhaust Extension Kit** - In locations where wind or weather conditions may interfere with proper exhausting of furnace combustion products, this kit can be installed to prevent the flue exhaust from entering nearby fresh air intakes.
- **Propane Conversion Kit** - This kit converts a gas heat unit to operate with propane gas at altitudes up to 2,000 feet.
- **Gas Heat High Altitude Kit** - This kit converts a gas heat unit to operate at high altitudes, 2,000 to 10,000 feet. Conversion kits are available for natural gas and propane.
- **Roof Curbs** - The roof curbs have insulated decks and are shipped disassembled The roof curbs are available in 14 and 24 heights.
- **Thermostat** - The units are designed to operate with 24-volt electronic and electro-mechanical thermostats. All 7.5 thru 12.5 ton units operate with two-stage heat/two-stage cool or two-stage cooling only thermostats, depending upon unit configuration.

- **Smoke detectors** - The smoke detectors stop operation of the unit by interrupting power and providing a fault message to the control board if smoke is detected within the air compartment. Smoke detectors are available for both the supply and/or return air configurations.
- **Hinged Filter Access Panel For Use With Horizontal Flow Economizer** - Allows hinged access to the filter section when used with a horizontal economizer.
- **Low Ambient Head Pressure Control Kit** - The Electronic Low Ambient Controller is designed to regulate condenser head pressure at low ambient temperatures by varying the amount of airflow through the condenser.
- **Manual Outdoor Air Damper** - Like the motorized outdoor air damper, each manual outdoor air damper includes a slide-in damper assembly with an outdoor air hood and filters. Customers have a choice of dampers with ranges of 0% to 100% or 0% to 35% outdoor air entry.
- **Thru The Base Connection** - Kits are available to provide a way to route wiring to the unit through the base of the unit and gas supplied to the unit through the base or through the curb. These kits provide a seal tight way to bring power and gas to the unit without additional roof penetrations.
- **Electric Heat (Field installed option Only)** - Select heater sizes for 3-12.5 ton units available. Necessary hardware and connectors are included with the heaters.

Nomenclature

3-12.5 Ton Model Number Nomenclature



Accessory Kit Number	Description	Where Used	Voltage
2EE04706724	Econ, DB, Vertical Flow, Small Footprint	ZX04, ZX05, ZX06, ZX07, ZY04, ZY05, ZY06	All
2EE04706824	Econ, DB, Vertical Flow, Large Footprint	ZX08, ZX09, ZX12, ZX14, ZY07, ZY08, ZY09, ZY12	All
2EE04707024	Econ, DB, Horizontal Flow, Small Footprint, Short Cabinet	ZX04, ZX05, ZX06, ZY04	All
2EE04707124	Econ, DB, Horizontal Flow, Small Footprint, Tall Cabinet	ZX07, ZY05, ZY06	All
2EE04707224	Econ, DB, Horizontal Flow, Large Footprint, Short Cabinet	ZX08, ZY07	All
2EE04707324	Econ, DB, Horizontal Flow, Large Footprint, Tall Cabinet	ZX09, ZX12, ZX14, ZY08, ZY09, ZY12	All
1FA0415	Manual Outside Air Damper 0-35%	ZX*04-07, ZY*04-06	All
1FA0416	Manual Outside Air Damper 0-35%	ZX*08-14, ZY*07-12	All
1FA0417	Manual Outside Air Damper 0-100%	ZX*04-07, ZY*04-06	All
1FA0418	Manual Outside Air Damper 0-100%	ZX*08-14, ZY*07-12	All
2MD04704224	Motorized Outside Air Damper 0-100%	ZX*04-07 & ZY*04-06	All
2MD04704324	Motorized Outside Air Damper 0-100%	ZX*08-14 & ZY*07-12	All
2EC0401	Kit, Single Enthalpy Field Installed	All	All
2EC0402	Kit, Dual Enthalpy Field Installed	All	All
1HD0401	Hinged Filter Access Panel For Units With A Horizontal Economizer	ZX04, ZX05, ZX06, ZY04	All
1HD0402	Hinged Filter Access Panel For Units With A Horizontal Economizer	ZX07, ZY05, ZY06	All
1HD0403	Hinged Filter Access Panel For Units With A Horizontal Economizer	ZX08, ZY07	All
1HD0404	Hinged Filter Access Panel For Units With A Horizontal Economizer	ZX09, ZX12, ZX14, ZY08, ZY09, ZY12	All
1HG0419	Hail Guard Kit Small Footprint, Short Cabinet	ZX04, ZX05, ZX06, ZY04	All
1HG0420	Hail Guard Kit Small Footprint, Tall Cabinet	ZX07, ZY05, ZY06	All
1HG0421	Hail Guard Kit Large Footprint, Short Cabinet	ZX08, ZY07	All
1HG0422	Hail Guard Kit Large Footprint, Tall Cabinet	ZX09, ZX12, ZX14, ZY08, ZY09, ZY12	All
1RC0456	Curb Rigid 14" Small Footprint	ZX04, ZX05, ZX06, ZX07, ZY04, ZY05, ZY06	All
1RC0457	Curb Rigid 14" Large Footprint	ZX08, ZX09, ZX12, ZX14, ZY07, ZY08, ZY09, ZY12	All
1RC0458	Curb Rigid 24" Small Footprint	ZX04, ZX05, ZX06, ZX07, ZY04, ZY05, ZY06	All
1RC0459	Curb Rigid 24" Large Footprint	ZX08, ZX09, ZX12, ZX14, ZY07, ZY08, ZY09, ZY12	All
2PE04704206	Power Exhaust Vert Flow Small Footprint 208V-230V 1-ph	ZX04, ZX05, ZX06, ZX07, ZY04, ZY05, ZY06	208/230-1-60
2PE04704225	Power Exhaust Vert Flow Small Footprint 208V-230V 3-ph	ZX04, ZX05, ZX06, ZX07, ZY04, ZY05, ZY06	208/230-3-60
2PE04704246	Power Exhaust Vert Flow Small Footprint 460V 3-ph	ZX04, ZX05, ZX06, ZX07, ZY04, ZY05, ZY06	460-3-60
2PE04704258	Power Exhaust Vert Flow Small Footprint 575V 3-ph	ZX04, ZX05, ZX06, ZX07, ZY04, ZY05, ZY06	575-3-60
2PE04704306	Power Exhaust Vert Flow Large Footprint 208V-230V 1-ph	ZX08, ZX09, ZX12, ZX14, ZY07, ZY08, ZY09, ZY12	208/230-1-60
2PE04704325	Power Exhaust Vert Flow Large Footprint 208V-230V 3-ph	ZX08, ZX09, ZX12, ZX14, ZY07, ZY08, ZY09, ZY12	208/230-3-60
2PE04704346	Power Exhaust Vert Flow Large Footprint 460V 3-ph	ZX08, ZX09, ZX12, ZX14, ZY07, ZY08, ZY09, ZY12	460-3-60
2PE04704358	Power Exhaust Vert Flow Large Footprint 575V 3-ph	ZX08, ZX09, ZX12, ZX14, ZY07, ZY08, ZY09, ZY12	575-3-60
2PE04704406	Power Exhaust Horiz Flow Small Footprint 208V-230V 1-ph	ZX04, ZX05, ZX06, ZX07, ZY04, ZY05, ZY06	208/230-1-60
2PE04704425	Power Exhaust Horiz Flow Small Footprint 208V-230V 3-ph	ZX04, ZX05, ZX06, ZX07, ZY04, ZY05, ZY06	208/230-3-60
2PE04704446	Power Exhaust Horiz Flow Small Footprint 460V 3-ph	ZX04, ZX05, ZX06, ZX07, ZY04, ZY05, ZY06	460-3-60
2PE04704458	Power Exhaust Horiz Flow Small Footprint 575V 3-ph	ZX04, ZX05, ZX06, ZX07, ZY04, ZY05, ZY06	575-3-60
2PE04704506	Power Exhaust Horiz Flow Large Footprint 208V-230V 1-ph	ZX08, ZX09, ZX12, ZX14, ZY07, ZY08, ZY09, ZY12	208/230-1-60
2PE04704525	Power Exhaust Horiz Flow Large Footprint 208V-230V 3-ph	ZX08, ZX09, ZX12, ZX14, ZY07, ZY08, ZY09, ZY12	208/230-3-60
2PE04704546	Power Exhaust Horiz Flow Large Footprint 460V 3-ph	ZX08, ZX09, ZX12, ZX14, ZY07, ZY08, ZY09, ZY12	460-3-60
2PE04704558	Power Exhaust Horiz Flow Large Footprint 575V 3-ph	ZX08, ZX09, ZX12, ZX14, ZY07, ZY08, ZY09, ZY12	575-3-60
1FE0414	Flue Exhaust Kit	ZXG04, ZXG05, ZXG06 & ZYG04	All
1FE0415	Flue Exhaust Kit	ZXG07, ZXG08, ZYG05, ZYG06 & ZYG07	All
1FE0416	Flue Exhaust Kit	ZXG09, ZXG12, ZXG14, ZYG08, ZYG09 & ZYG12	All
1HS0401	Flue Heat Shield Accessory	All	All
2EK04510625	Electric Heat Accessory	ZXE04, ZXE05, ZXE06, ZXE07, ZYE04, ZYE05, ZYE06	208/230-3(1)-60 4.9/6.5 kW
2EK04510646	Electric Heat Accessory	ZXE04, ZXE05, ZXE06, ZXE07, ZYE04, ZYE05, ZYE06	460-3-60 6kW
2EK04511125	Electric Heat Accessory	ZXE04, ZXE05, ZXE06, ZXE07, ZYE04, ZYE05, ZYE06	208/230-3(1)-60 7.9/10.5 kW
2EK04511625	Electric Heat Accessory	ZXE04, ZXE05, ZXE06, ZXE07, ZYE04, ZYE05, ZYE06	208/230-3-60 12/16 kW

Accessory Kit Number	Description	Where Used	Voltage
2EK04511146	Electric Heat Accessory	ZXE04, ZXE05, ZXE06, ZXE07, ZYE04, ZYE05, ZYE06	460-3-60 11.5kW
2EK04511446	Electric Heat Accessory	ZXE04, ZXE05, ZXE06, ZXE07, ZYE04, ZYE05, ZYE06	460-3-60 14kW
2EK04511725	Electric Heat Accessory	ZXE08, ZXE09, ZXE12, ZXE14, ZYE08, ZYE09, ZYE12	208/230-3-60 16 kW
2EK04512525	Electric Heat Accessory	ZXE08, ZXE09, ZXE12, ZXE14, ZYE08, ZYE09, ZYE12	208/230-3-60 24.8 kW
2EK04513225	Electric Heat Accessory	ZXE08, ZXE09, ZXE12, ZXE14, ZYE08, ZYE09, ZYE12	208/230-3-60 32 kW
2EK04514225	Electric Heat Accessory	ZXE08, ZXE09, ZXE12, ZXE14, ZYE08, ZYE09, ZYE12	208/230-3-60 42.4 kW
2EK04511725	Electric Heat Accessory	ZXE08, ZXE09, ZXE12, ZXE14, ZYE08, ZYE09, ZYE12	208/230-3-60 16 kW
2EK04512525	Electric Heat Accessory	ZXE08, ZXE09, ZXE12, ZXE14, ZYE08, ZYE09, ZYE12	208/230-3-60 24.8 kW
2EK04513225	Electric Heat Accessory	ZXE08, ZXE09, ZXE12, ZXE14, ZYE08, ZYE09, ZYE12	208/230-3-60 32 kW
2EK04514225	Electric Heat Accessory	ZXE08, ZXE09, ZXE12, ZXE14, ZYE08, ZYE09, ZYE12	208/230-3-60 42.4 kW
2EK04511746	Electric Heat Accessory	ZXE08, ZXE09, ZXE12, ZXE14, ZYE08, ZYE09, ZYE12	460-3-60 16.5 kW
2EK04512846	Electric Heat Accessory	ZXE08, ZXE09, ZXE12, ZXE14, ZYE08, ZYE09, ZYE12	460-3-60 27.8 kW
2EK04513346	Electric Heat Accessory	ZXE08, ZXE09, ZXE12, ZXE14, ZYE08, ZYE09, ZYE12	460-3-60 33 kW
2EK04514246	Electric Heat Accessory	ZXE08, ZXE09, ZXE12, ZXE14, ZYE08, ZYE09, ZYE12	460-3-60 41.7 kW
2LA04704725	Low Ambient Accessory Kit	ZX04, ZX05, ZX06, ZX07, ZY04, ZY05, ZY06	208V/230V-1- 60 or 208V/ 230V-3-60
2LA04704746	Low Ambient Accessory Kit	ZX04, ZX05, ZX06, ZX07, ZY04, ZY05, ZY07	460V-3-60
2LA04704758	Low Ambient Accessory Kit	ZX04, ZX05, ZX06, ZX07, ZY04, ZY05, ZY08	575V-3-60
2LA04704825	Low Ambient Accessory Kit	ZX08, ZX09, ZX12, ZY07, ZY08, ZY09	208V/230V-1- 60 or 208V/ 230V-3-60
2LA04704846	Low Ambient Accessory Kit	ZX08, ZX09, ZX12, ZY07, ZY08, ZY10	460V-3-60
2LA04704858	Low Ambient Accessory Kit	ZX08, ZX09, ZX12, ZY07, ZY08, ZY11	575V-3-60
2SD04701224	Supply Air Stream Smoke Detector	ZX04, ZX05, ZX06, ZX07, ZX08, ZX09, ZX12, ZX14, ZY04, ZY05, ZY06, ZY07, ZY08, ZY09, ZY12	All
2SD04701124	Return Air Stream Smoke Detector	ZX04, ZX05, ZX06, ZX07, ZY04, ZY05, ZY06	All
2SD04701424	Return Air Stream Smoke Detector	ZX08, ZX09, ZX12, ZX14, ZY07, ZY08, ZY09, ZY12	All
2SD04701324	Combination Supply & Return Air Stream Smoke Detector	ZX04, ZX05, ZX06, ZX07, ZY04, ZY05, ZY06	All
2SD04701624	Combination Supply & Return Air Stream Smoke Detector	ZX08, ZX09, ZX12, ZX14, ZY07, ZY08, ZY09, ZY12	All
1TB0401	Small Footprint Thru The Base Electrical & Thru The Curb Gas	ZX04, ZX05, ZX06, ZX07, ZY04, ZY05, ZY06	All
1TB0402	Large Footprint Thru The Base Electrical & Thru The Curb Gas	ZX08, ZX09, ZX12, ZX14, ZY07, ZY08, ZY09, ZY12	All
1TB0403	Small Footprint Thru The Base Electrical & Gas	ZX04, ZX05, ZX06, ZX07, ZY04, ZY05, ZY06	All
1TB0404	Large Footprint Thru The Base Electrical & Gas	ZX08, ZY07, ZX09, ZX12, ZX14, ZY08, ZY09, ZY12	All

AHRI Cooling Rating Table

UNIT	COOLING STAGES	NOM. COOLING CAPACITY (TONS)	NET COOLING CAPACITY (MBH)	TOTAL POWER (kW)	SEER	EER (COOLING ONLY)	EER (A/C WITH GAS HEAT)	IEER (COOLING ONLY)	IEER (A/C WITH GAS HEAT)	IEER WITH IntelliSpeed (COOLING ONLY)	IEER WITH IntelliSpeed (GAS HEAT)
ZX04	1	3	34.6	2.8	13.0	11.0	11.0	---	---	---	---
ZX05	1	4	45.0	3.6	13.0	11.0	11.0	---	---	---	---
ZX06	1	5	59.0	4.6	13.0	11.0	11.0	---	---	---	---
ZX07	1	6	69.0	5.1	---	11.2	11.0	12.1	11.9	---	---
ZX08	2	7.5	85.0	6.6	---	11.2	11.0	11.6	11.5	---	---
ZX09	2	8.5	99.0	7.7	---	11.2	11.0	11.9	11.7	---	---
ZX12	2	10.0	116.0	9.2	---	11.2	11.0	12.0	11.8	14.8	14.4
ZX14	2	12.5	135.0	10.8	---	11.0	10.8	11.2	11.0	13.0	12.75
ZY04	1	3	36.0	2.6	15.0	12.0	12.0	---	---	---	---
ZY05	1	4	49.0	3.5	15.4	12.0	12.0	---	---	---	---
ZY06	1	5	58.0	4.4	15.2	12.0	12.0	---	---	---	---
ZY07	1	6	72.0	5.0	---	12.2	12.0	12.8	12.6	---	---
ZY08	2	7.5	89.0	6.6	---	12.2	12.0	12.6	12.4	---	---
ZY09	2	8.5	98.0	7.3	---	12.2	12.0	12.6	12.4	---	---
ZY12	2	10.0	116.0	8.9	---	11.7	11.5	11.8	11.6	14.4	14.4

AHRI 270 Outdoor Sound Power Levels

Unit (Tons)	Sound Rating ¹ (dB-A)	Octave Bands (Hz)							
		63	125	250	500	1000	2000	4000	8000
ZX04 (3)	79	81.5	84.5	76.5	75.0	74.0	69.5	65.5	61.0
ZX05 (4)	79	82.0	85.0	77.5	75.5	74.0	70.0	66.5	62.0
ZX06 (5)	80	83.0	85.0	77.0	75.5	75.0	70.0	66.0	62.0
ZX07 (6)	79	84.0	82.0	77.0	75.0	74.5	71.0	66.5	63.0
ZX08 (7.5)	84	87.0	86.0	82.0	80.5	79.5	75.0	70.5	66.5
ZX09 (8.5)	83	91.0	86.0	79.0	79.5	78.0	74.0	70.5	69.0
ZX12 (10)	84	87.5	85.0	81.0	80.0	80.0	74.5	70.0	66.5
ZX14 (12.5)	90	87.5	88.5	85.0	86.0	85.0	81.0	78.5	73.0
ZY04 (3)	79	81.0	86.5	77.0	76.0	75.0	70.5	66.5	63.5
ZY05 (4)	79	84.0	83.0	76.0	75.0	74.0	70.0	66.0	63.5
ZY06 (5)	79	83.0	83.0	76.0	75.0	75.0	69.5	66.0	63.0
ZY07 (6)	84	90.0	87.0	81.5	81.0	79.0	74.5	71.0	69.5
ZY08 (7.5)	83	91.5	84.5	79.5	79.5	78.5	74.0	68.5	66.0
ZY09 (8.5)	83	92.0	87.0	81.0	80.5	79.0	74.0	69.0	66.0
ZY12 (10)	87	88.0	88.5	84.5	84.0	82.5	78.5	76.0	73.0

1. Rated in accordance with AHRI 270 standard.

Physical Data

ZX04 Physical Data

Component		Models				
		ZXG04		ZXE04		
Nominal Tonnage		3		3		
AHRI COOLING PERFORMANCE	Gross Capacity @ AHRI A point (Btu)	38200		38200		
	AHRI net capacity (Btu)	34600		34600		
	EER	11		11		
	SEER	13		13		
	IEER	-		-		
	IEER IntelliSpeed	-		-		
	Nominal CFM	1200		1200		
	System power (KW)	2.8		2.8		
	Refrigerant type	R-410A		R-410A		
	Refrigerant charge (lb-oz)					
	System 1	3-13		3-13		
	System 2	-		-		
AHRI HEATING PERFORMANCE	Heating Option	L	D	M	E	-
	Heating model	Low (Low-NOx)	Low	Med (Low-NOx)	Med	-
	1st. Stage Heat input (K Btu)	-	-	-	82	-
	2nd. Stage Heat input (K Btu)	56	70	90	112	-
	1st. Stage Heat output (K Btu)	-	-	-	66	-
	2nd. Stage Heat output (K Btu)	45	56	72	90	-
	AFUE %					-
	Steady state efficiency (%)	80	80	80	80	-
	No. burners	2	2	3	3	-
	No. stages	1	1	1	2	-
	Temperature Rise Range (°F)	30-49	35-58	44-74	55-78	-
	Gas Limit Setting (°F)	150	150	140	140	-
	Gas piping connection (in.)	1/2	1/2	1/2	1/2	-
DIMENSIONS (inches)	Length	74.1		74.1		
	Width	48.9		48.9		
	Height	32.5		32.5		
OPERATING WT. (lbs.)	515		469			
COMPRESSORS	Type	Scroll		Scroll		
	Quantity	1		1		
	Unit Capacity Steps (%)	100		100		
CONDENSER COIL DATA	Face area (Sq. Ft.)	16.3		16.3		
	Rows	1		1		
	Fins per inch	23		23		
	Tube diameter (in./MM)	.63/16		.63/16		
	Circuitry Type	2-pass Microchannel		2-pass Microchannel		
EVAPORATOR COIL DATA	Face area (Sq. Ft.)	5.5		5.5		
	Rows	2		2		
	Fins per inch	15		15		
	Tube diameter	0.375		0.375		
	Circuitry Type	Intertwined		Intertwined		
	Refrigerant control	Orifice		Orifice		

ZX04 Physical Data (Continued)

Component	Models				
	ZXG04		ZXE04		
Nominal Tonnage	3		3		
CONDENSER FAN DATA	Quantity of fans	1		1	
	Fan diameter (Inch)	22		22	
	Type	Prop		Prop	
	Drive type	Direct		Direct	
	Quantity of motors	1		1	
	Motor HP each	1/4		1/4	
	No. speeds	1		1	
	RPM	1100		1100	
Nominal total CFM	3800		3800		
EVAP FAN DATA DIRECT DRIVE	Airflow Option	A		A	
	Quantity	1		1	
	Fan Size (Inch)	10 x 10		10 x 10	
	Type	Centrifugal		Centrifugal	
	Motor HP	3/4		3/4	
	RPM	1050		1050	
EVAP FAN DATA BELT DRIVE	Airflow Option	B	C	B	C
	Quantity	1	1	1	1
	Fan Size (Inch)	10 x 10	10 x 10	10 x 10	10 x 10
	Type	Centrifugal		Centrifugal	
	Motor Sheave	1VL34	1VL44	1VL34	1VL44
	Blower Sheave	AK46	AK46	AK46	AK46
	Belt	A39	A40	A39	A40
	Motor HP each	1.5	1.5	1.5	1.5
	RPM	1725	1725	1725	1725
	Frame size	56Y	56Y	56Y	56Y
FILTERS	Quantity - Size	2 - (16 x 25 x 2) ¹		2 - (16 x 25 x 2) ¹	

1. 2 in. Throwaway, Standard, MERV 4 (Minimum Efficiency Reporting Value).

ZX05 Physical Data

Component		Models						
		ZXG05				ZXE05		
Nominal Tonnage		4				4		
AHRI COOLING PERFORMANCE	Gross Capacity @ AHRI A point (Btu)	49700				49700		
	AHRI net capacity (Btu)	45000				45000		
	EER	11				11		
	SEER	13				13		
	IEER	-				-		
	IEER IntelliSpeed	-				-		
	Nominal CFM	1600				1600		
	System power (KW)	3.6				3.6		
	Refrigerant type	R-410A				R-410A		
	Refrigerant charge (lb-oz)							
	System 1	3-12				3-12		
	System 2	-				-		
AHRI HEATING PERFORMANCE	Heating Option	L	D	M	E	N	F	-
	Heating model	Low (Low-NOx)	Low	Med (Low-NOx)	Med	High, (Low-NOx)	High	-
	1st. Stage Heat input (K Btu)	-	-	-	-	-	100	-
	2nd. Stage Heat input (K Btu)	56	70	90	112	118	145	-
	1st. Stage Heat output (K Btu)	-	-	-	-	-	80	-
	2nd. Stage Heat output (K Btu)	45	56	72	90	94	116	-
	AFUE %							-
	Steady state efficiency (%)	80	80	80	80	80	80	-
	No. burners	2	2	3	3	3	3	-
	No. stages	1	1	1	1	1	2	-
	Temperature Rise Range (°F)	22-37	26-43	33-56	41-69	44-73	49-77	-
	Gas Limit Setting (°F)	150	150	140	140	150	145	-
	Gas piping connection (in.)	1/2	1/2	1/2	1/2	1/2	1/2	-
DIMENSIONS (inches)	Length	74.1				74.1		
	Width	48.9				48.9		
	Height	32.5				32.5		
OPERATING WT. (lbs.)	552				498			
COMPRESSORS	Type	Scroll				Scroll		
	Quantity	1				1		
	Unit Capacity Steps (%)	100				100		
CONDENSER COIL DATA	Face area (Sq. Ft.)	16.3				16.3		
	Rows	2				2		
	Fins per inch	23				23		
	Tube diameter (in./MM)	.63/16				.63/16		
	Circuitry Type	2-pass Microchannel				2-pass Microchannel		
EVAPORATOR COIL DATA	Face area (Sq. Ft.)	5.5				5.5		
	Rows	3				3		
	Fins per inch	15				15		
	Tube diameter	0.375				0.375		
	Circuitry Type	Intertwined				Intertwined		
	Refrigerant control	Orifice				Orifice		

ZX05 Physical Data (Continued)

Component	Models				
	ZXG05		ZXE05		
Nominal Tonnage	4		4		
CONDENSER FAN DATA	Quantity of fans	1		1	
	Fan diameter (Inch)	22		22	
	Type	Prop		Prop	
	Drive type	Direct		Direct	
	Quantity of motors	1		1	
	Motor HP each	1/4		1/4	
	No. speeds	1		1	
	RPM	1100		1100	
Nominal total CFM	3800		3800		
EVAP FAN DATA DIRECT DRIVE	Airflow Option	A		A	
	Quantity	1		1	
	Fan Size (Inch)	10 x 10		10 x 10	
	Type	Centrifugal		Centrifugal	
	Motor HP	1		1	
	RPM	1050		1050	
EVAP FAN DATA BELT DRIVE	Airflow Option	B	C	B	C
	Quantity	1	1	1	1
	Fan Size (Inch)	10 x 10	10 x 10	10 x 10	10 x 10
	Type	Centrifugal		Centrifugal	
	Motor Sheave	1VL34	1VL44	1VL34	1VL44
	Blower Sheave	AK46	AK46	AK46	AK46
	Belt	A39	A40	A39	A40
	Motor HP each	1.5	1.5	1.5	1.5
	RPM	1725	1725	1725	1725
	Frame size	56Y	56Y	56Y	56Y
FILTERS	Quantity - Size	2 - (16 x 25 x 2) ¹		2 - (16 x 25 x 2) ¹	

1. 2 in. Throwaway, Standard, MERV 4 (Minimum Efficiency Reporting Value).

ZX06 Physical Data

Component	Models							
	ZXG06				ZXE06			
Nominal Tonnage	5				5			
AHRI COOLING PERFORMANCE	Gross Capacity @ AHRI A point (Btu)	63700				63700		
	AHRI net capacity (Btu)	59000				59000		
	EER	11				11		
	SEER	13				13		
	IEER	-				-		
	IEER IntelliSpeed	-				-		
	Nominal CFM	1800				1800		
	System power (KW)	4.6				4.6		
	Refrigerant type	R-410A				R-410A		
	Refrigerant charge (lb-oz)							
	System 1	5-4				5-4		
System 2	-				-			
AHRI HEATING PERFORMANCE	Heating Option	L	D	M	E	N	F	-
	Heating model	Low (Low-NOx)	Low	Med (Low-NOx)	Med	High, (Low-NOx)	High	-
	1st. Stage Heat input (K Btu)	-	-	-	-	-	100	-
	2nd. Stage Heat input (K Btu)	56	70	90	112	118	145	-
	1st. Stage Heat output (K Btu)	-	-	-	-	-	80	-
	2nd. Stage Heat output (K Btu)	45	56	72	90	94	116	-
	AFUE %							-
	Steady state efficiency (%)	80	80	80	80	80	80	-
	No. burners	2	2	3	3	3	3	-
	No. stages	1	1	1	1	1	2	-
	Temperature Rise Range (°F)	18-30	21-35	27-44	33-55	35-58	43-72	-
	Gas Limit Setting (°F)	150	150	140	140	150	145	-
Gas piping connection (in.)	1/2	1/2	1/2	1/2	1/2	1/2	-	
DIMENSIONS (inches)	Length	74.1				74.1		
	Width	48.9				48.9		
	Height	32.5				32.5		
OPERATING WT. (lbs.)	584				530			
COMPRESSORS	Type	Scroll				Scroll		
	Quantity	1				1		
	Unit Capacity Steps (%)	100				100		
CONDENSER COIL DATA	Face area (Sq. Ft.)	16.3				16.3		
	Rows	1				1		
	Fins per inch	23				23		
	Tube diameter (in./MM)	.79/20				.79/20		
	Circuitry Type	2-pass Microchannel				2-pass Microchannel		
EVAPORATOR COIL DATA	Face area (Sq. Ft.)	5.5				5.5		
	Rows	4				4		
	Fins per inch	15				15		
	Tube diameter	0.375				0.375		
	Circuitry Type	Intertwined				Intertwined		
	Refrigerant control	TXV				TXV		

ZX06 Physical Data (Continued)

Component	Models				
	ZXG06		ZXE06		
Nominal Tonnage	5		5		
CONDENSER FAN DATA	Quantity of fans	1		1	
	Fan diameter (Inch)	22		22	
	Type	Prop		Prop	
	Drive type	Direct		Direct	
	Quantity of motors	1		1	
	Motor HP each	1/2		1/2	
	No. speeds	1		1	
	RPM	1085		1085	
Nominal total CFM	4500		4500		
EVAP FAN DATA DIRECT DRIVE	Airflow Option	A		A	
	Quantity	1		1	
	Fan Size (Inch)	10 x 10		10 x 10	
	Type	Centrifugal		Centrifugal	
	Motor HP	1		1	
	RPM	1050		1050	
EVAP FAN DATA BELT DRIVE	Airflow Option	B	C	B	C
	Quantity	1	1	1	1
	Fan Size (Inch)	10 x 10	10 x 10	10 x 10	10 x 10
	Type	Centrifugal		Centrifugal	
	Motor Sheave	1VL34	1VL44	1VL44	1VL44
	Blower Sheave	AK41	AK41	AK41	AK41
	Belt	A37	A39	A37	A39
	Motor HP each	1.5	2	1.5	2
	RPM	1725	1725	1725	1725
	Frame size	56Y	56Y	56Y	56Y
FILTERS	Quantity - Size	2 - (16 x 25 x 2) ¹		2 - (16 x 25 x 2) ¹	

1. 2 in. Throwaway, Standard, MERV 4 (Minimum Efficiency Reporting Value).

ZX07 Physical Data

Component	Models				
	ZXG07		ZXE07		
Nominal Tonnage	6		6		
AHRI COOLING PERFORMANCE	Gross Capacity @ AHRI A point (Btu)	76600		76600	
	AHRI net capacity (Btu)	69000		69000	
	EER	11		11.2	
	SEER	-		-	
	IEER	11.9		12.1	
	IEER IntelliSpeed	-		-	
	Nominal CFM	2300		2300	
	System power (KW)	5.1		5.1	
	Refrigerant type	R-410A		R-410A	
	Refrigerant charge (lb-oz)				
	System 1	6-14		6-14	
System 2	-		-		
AHRI HEATING PERFORMANCE	Heating Option	D	E	F	-
	Heating model	Low	Med	High	-
	1st. Stage Heat input (K Btu)	-	-	100	-
	2nd. Stage Heat input (K Btu)	70	114	145	-
	1st. Stage Heat output (K Btu)	-	-	80	-
	2nd. Stage Heat output (K Btu)	56	91	116	-
	AFUE %				-
	Steady state efficiency (%)	80	80	80	-
	No. burners	2	3	3	-
	No. stages	1	1	2	-
	Temperature Rise Range (°F)	17-29	28-47	36-60	-
	Gas Limit Setting (°F)	150	140	140	-
	Gas piping connection (in.)	1/2	1/2	1/2	-
DIMENSIONS (inches)	Length	74.1		74.1	
	Width	48.9		48.9	
	Height	40.6		40.6	
OPERATING WT. (lbs.)	646		592		
COMPRESSORS	Type	Scroll		Scroll	
	Quantity	1		1	
	Unit Capacity Steps (%)	100		100	
CONDENSER COIL DATA	Face area (Sq. Ft.)	21.1		21.1	
	Rows	1		1	
	Fins per inch	23		23	
	Tube diameter (in./MM)	.79/20		.79/20	
	Circuitry Type	2-pass Microchannel		2-pass Microchannel	
EVAPORATOR COIL DATA	Face area (Sq. Ft.)	7.3		7.3	
	Rows	4		4	
	Fins per inch	15		15	
	Tube diameter	0.375		0.375	
	Circuitry Type	Intertwined		Intertwined	
	Refrigerant control	TXV		TXV	
CONDENSER FAN DATA	Quantity of fans	1		1	
	Fan diameter (Inch)	22		22	
	Type	Prop		Prop	
	Drive type	Direct		Direct	
	Quantity of motors	1		1	
	Motor HP each	1/2		1/2	
	No. speeds	1		1	
	RPM	1085		1085	
Nominal total CFM	4600		4600		

ZX07 Physical Data (Continued)

Component	Models						
	ZXG07			ZXE07			
Nominal Tonnage	6			6			
EVAP FAN DATA BELT DRIVE	Airflow Option	A	B	C	A	B	C
	Quantity	1	1	1	1	1	1
	Fan Size (Inch)	11 x 10	11 x 10	11 x 10	11 x 10	11 x 10	11 x 10
	Type	Centrifugal			Centrifugal		
	Motor Sheave	1VL34	1VL44	1VP50	1VL34	1VL44	1VP50
	Blower Sheave	AK51	AK51	AK51	AK51	AK51	AK51
	Belt	A39	A40	A41	A39	A40	A41
	Motor HP each	1.5	2	3	1.5	2	3
	RPM	1725	1725	1725	1725	1725	1725
	Frame size	56Y	56Y	56HZ	56Y	56Y	56HZ
FILTERS	Quantity - Size	4 - (16 x 16 x 2) ¹			4 - (16 x 16 x 2) ¹		

1. 2 in. Throwaway, Standard, MERV 4 (Minimum Efficiency Reporting Value).

ZX08 Physical Data

Component		Models			
		ZXG08	ZXE08		
Nominal Tonnage		7.5	7.5		
AHRI COOLING PERFORMANCE	Gross Capacity @ AHRI A point (Btu)	94000		94000	
	AHRI net capacity (Btu)	85000		85000	
	EER	11		11.2	
	SEER	-		-	
	IEER	11.5		11.6	
	IEER IntelliSpeed	-		-	
	Nominal CFM	2900		2900	
	System power (KW)	6.6		6.6	
	Refrigerant type	R-410A		R-410A	
	Refrigerant charge (lb-oz)				
	System 1	4-8		4-8	
System 2	4-12		4-12		
AHRI HEATING PERFORMANCE	Heating Option	D	E	F	-
	Heating model	Low	Med	High	-
	1st. Stage Heat input (K Btu)	90	125	176	-
	2nd. Stage Heat input (K Btu)	125	180	220	-
	1st. Stage Heat output (K Btu)	72	100	141	-
	2nd. Stage Heat output (K Btu)	100	144	176	-
	AFUE %				-
	Steady state efficiency (%)	80	80	80	-
	No. burners	3	4	5	-
	No. stages	2	2	2	-
	Temperature Rise Range (°F)	25-41	36-59	43-72	-
	Gas Limit Setting (°F)	140	150	140	-
	Gas piping connection (in.)	3/4	3/4	3/4	-
DIMENSIONS (inches)	Length	87.1		87.1	
	Width	61.7		61.7	
	Height	40.6		40.6	
OPERATING WT. (lbs.)		893		791	
COMPRESSORS	Type	Scroll		Scroll	
	Quantity	2		2	
	Unit Capacity Steps (%)	50/100		50/100	
CONDENSER COIL DATA	Face area (Sq. Ft.)	21.1		21.1	
	Rows	1		1	
	Fins per inch	23		23	
	Tube diameter (in./MM)	1/25		1/25	
	Circuitry Type	2-pass Microchannel		2-pass Microchannel	
EVAPORATOR COIL DATA	Face area (Sq. Ft.)	8.9		8.9	
	Rows	3		3	
	Fins per inch	15		15	
	Tube diameter	0.375		0.375	
	Circuitry Type	Intertwined		Intertwined	
	Refrigerant control	Orifice		Orifice	

ZX08 Physical Data (Continued)

Component	Models						
	ZXG08			ZXE08			
Nominal Tonnage	7.5			7.5			
CONDENSER FAN DATA	Quantity of fans	2			2		
	Fan diameter (Inch)	22			22		
	Type	Prop			Prop		
	Drive type	Direct			Direct		
	Quantity of motors	2			2		
	Motor HP each	1/2			1/2		
	No. speeds	1			1		
	RPM	1085			1085		
Nominal total CFM	7600			7600			
EVAP FAN DATA BELT DRIVE	Airflow Option	A	B	C	A	B	C
	Quantity	1	1	1	1	1	1
	Fan Size (Inch)	15 X 15	15 X 15	15 X 15	15 X 15	15 X 15	15 X 15
	Type	Centrifugal			Centrifugal		
	Motor Sheave	1VL34	1VL44	1VP50	1VL34	1VL44	1VP50
	Blower Sheave	AK74	AK74	AK74	AK74	AK74	AK74
	Belt	A47	A48	A48	A47	A48	A48
	Motor HP each	1.5	2	3	1.5	2	3
	RPM	1725	1725	1725	1725	1725	1725
	Frame size	56Y	56Y	56HZ	56Y	56Y	56HZ
FILTERS	Quantity - Size	4 - (16 x 20 x 2) ¹			4 - (16 x 20 x 2) ¹		

1. 2 in. Throwaway, Standard, MERV 4 (Minimum Efficiency Reporting Value).

ZX09 Physical Data

Component	Models				
	ZXG09		ZXE09		
Nominal Tonnage	8.5		8.5		
AHRI COOLING PERFORMANCE	Gross Capacity @ AHRI A point (Btu)	105600		105600	
	AHRI net capacity (Btu)	99000		99000	
	EER	11		11.2	
	SEER	-		-	
	IEER	11.7		11.9	
	IEER IntelliSpeed	-		-	
	Nominal CFM	3300		3300	
	System power (KW)	7.70		7.70	
	Refrigerant type	R-410A		R-410A	
	Refrigerant charge (lb-oz)				
	System 1	5-4		5-4	
System 2	5-4		5-4		
AHRI HEATING PERFORMANCE	Heating Option	D	E	F	-
	Heating model	Low	Med	High	-
	1st. Stage Heat input (K Btu)	90	125	176	-
	2nd. Stage Heat input (K Btu)	125	180	220	-
	1st. Stage Heat output (K Btu)	72	100	141	-
	2nd. Stage Heat output (K Btu)	100	144	176	-
	AFUE %				-
	Steady state efficiency (%)	80	80	80	-
	No. burners	3	4	5	-
	No. stages	2	2	2	-
	Temperature Rise Range (°F)	22-36	31-52	38-64	-
	Gas Limit Setting (°F)	140	150	140	-
Gas piping connection (in.)	3/4	3/4	3/4	-	
DIMENSIONS (inches)	Length	87.2		87.2	
	Width	61.7		61.7	
	Height	48.6		48.6	
OPERATING WT. (lbs.)	954		852		
COMPRESSORS	Type	Scroll		Scroll	
	Quantity	2		2	
	Unit Capacity Steps (%)	50/100		50/100	
CONDENSER COIL DATA	Face area (Sq. Ft.)	25.5		25.5	
	Rows	1		1	
	Fins per inch	23		23	
	Tube diameter (in./MM)	1/25		1/25	
	Circuitry Type	2-pass Microchannel		2-pass Microchannel	
EVAPORATOR COIL DATA	Face area (Sq. Ft.)	11.1		11.1	
	Rows	3		3	
	Fins per inch	15		15	
	Tube diameter	0.375		0.375	
	Circuitry Type	Intertwined		Intertwined	
	Refrigerant control	Orifice		Orifice	

ZX09 Physical Data (Continued)

Component	Models						
	ZXG09			ZXE09			
Nominal Tonnage	8.5			8.5			
CONDENSER FAN DATA	Quantity of fans	2			2		
	Fan diameter (Inch)	22			22		
	Type	Prop			Prop		
	Drive type	Direct			Direct		
	Quantity of motors	2			2		
	Motor HP each	1/2			1/2		
	No. speeds	1			1		
	RPM	1085			1085		
Nominal total CFM	8600			8600			
EVAP FAN DATA BELT DRIVE	Airflow Option	A	B	C	A	B	C
	Quantity	1	1	1	1	1	1
	Fan Size (Inch)	15 x 15	15 x 15	15 x 15	15 x 15	15 x 15	15 x 15
	Type	Centrifugal			Centrifugal		
	Motor Sheave	1VL34	1VL44	1VP50	1VL34	1VL44	1VP50
	Blower Sheave	AK74	AK74	AK74	AK74	AK74	AK74
	Belt	A47	A48	A50	A47	A48	A50
	Motor HP each	1.5	1.5	3	1.5	1.5	3
	RPM	1725	1725	1725	1725	1725	1725
	Frame size	56Y	56Y	56HZ	56Y	56Y	56HZ
FILTERS	Quantity - Size	4 - (20 x 20 x 2) ¹			4 - (20 x 20 x 2) ¹		

1. 2 in. Throwaway, Standard, MERV 4 (Minimum Efficiency Reporting Value).

ZX12 Physical Data

Component	Models				
	ZXG12		ZXE12		
Nominal Tonnage	10		10		
AHRI COOLING PERFORMANCE	Gross Capacity @ AHRI A point (Btu)	125600		125600	
	AHRI net capacity (Btu)	116000		116000	
	EER	11		11.2	
	SEER	-		-	
	IEER	11.8		12.0	
	IEER IntelliSpeed	14.4		14.8	
	Nominal CFM	3400		3400	
	System power (KW)	9.2		9.2	
	Refrigerant type	R-410A		R-410A	
	Refrigerant charge (lb-oz)				
	System 1	5-12		5-12	
System 2	5-12		5-12		
AHRI HEATING PERFORMANCE	Heating Option	D	E	F	-
	Heating model	Low	Med	High	-
	1st. Stage Heat input (K Btu)	125	176	200	-
	2nd. Stage Heat input (K Btu)	180	220	250	-
	1st. Stage Heat output (K Btu)	100	141	160	-
	2nd. Stage Heat output (K Btu)	144	176	200	-
	AFUE %				-
	Steady state efficiency (%)	80	80	80	-
	No. burners	4	5	5	-
	No. stages	2	2	2	-
	Temperature Rise Range (°F)	27-44	33-54	37-62	-
	Gas Limit Setting (°F)	150	140	160	-
Gas piping connection (in.)	3/4	3/4	3/4	-	
DIMENSIONS (inches)	Length	87.2		87.2	
	Width	61.7		61.7	
	Height	48.6		48.6	
OPERATING WT. (lbs.)	985		879		
COMPRESSORS	Type	Scroll		Scroll	
	Quantity	2		2	
	Unit Capacity Steps (%)	50/100		50/100	
CONDENSER COIL DATA	Face area (Sq. Ft.)	25.5		25.5	
	Rows	1		1	
	Fins per inch	23		23	
	Tube diameter (in./MM)	1/25		1/25	
	Circuitry Type	2-pass Microchannel		2-pass Microchannel	
EVAPORATOR COIL DATA	Face area (Sq. Ft.)	11.1		11.1	
	Rows	4		4	
	Fins per inch	15		15	
	Tube diameter	0.375		0.375	
	Circuitry Type	Intertwined		Intertwined	
	Refrigerant control	Orifice		Orifice	

ZX12 Physical Data (Continued)

Component	Models						
	ZXG12	ZXE12					
Nominal Tonnage	10	10					
CONDENSER FAN DATA	Quantity of fans	2	2				
	Fan diameter (Inch)	22	22				
	Type	Prop	Prop				
	Drive type	Direct	Direct				
	Quantity of motors	2	2				
	Motor HP each	1/2	1/2				
	No. speeds	1	1				
	RPM	1085	1085				
Nominal total CFM	8600	8600					
EVAP FAN DATA BELT DRIVE	Airflow Option	A	B	C	A	B	C
	Quantity	1	1	1	1	1	1
	Fan Size (Inch)	15 x 15	15 x 15	15 x 15	15 x 15	15 x 15	15 x 15
	Type	Centrifugal			Centrifugal		
	Motor Sheave	1VL44	1VP50	1VP56	1VL44	1VP50	1VP56
	Blower Sheave	AK79	AK79	BK85	AK79	AK79	BK85
	Belt	A50	A50	BX52	A50	A50	BX52
	Motor HP each	1.5	3	5	1.5	3	5
	RPM	1725	1725	1725	1725	1725	1725
	Frame size	56Y	56HZ	145TY	56Y	56HZ	145TY
FILTERS	Quantity - Size	4 - (20 x 20 x 2) ¹			4 - (20 x 20 x 2) ¹		

1. 2 in. Throwaway, Standard, MERV 4 (Minimum Efficiency Reporting Value).

ZX14 Physical Data

Component	Models				
	ZXG14	ZXE14			
Nominal Tonnage	12.5	12.5			
AHRI COOLING PERFORMANCE	Gross Capacity @ AHRI A point (Btu)	145000	145000		
	AHRI net capacity (Btu)	135000	135000		
	EER	10.8	11.0		
	SEER	-	-		
	IEER	11	11.2		
	IEER IntelliSpeed	12.75	13		
	Nominal CFM	4000	4000		
	System power (KW)	10.8	10.8		
	Refrigerant type	R-410A	R-410A		
	Refrigerant charge (lb-oz)				
	System 1	6-8	6-8		
System 2	6-12	6-12			
AHRI HEATING PERFORMANCE	Heating Option	D	E	F	-
	Heating model	Low	Med	High	-
	1st. Stage Heat input (K Btu)	125	176	200	-
	2nd. Stage Heat input (K Btu)	180	220	250	-
	1st. Stage Heat output (K Btu)	100	141	160	-
	2nd. Stage Heat output (K Btu)	144	176	200	-
	AFUE %				-
	Steady state efficiency (%)	80	80	80	-
	No. burners	4	5	5	-
	No. stages	2	2	2	-
	Temperature Rise Range (°F)	21-36	26-43	30-49	-
	Gas Limit Setting (°F)	150	140	160	-
Gas piping connection (in.)	3/4	3/4	3/4	-	
DIMENSIONS (inches)	Length	87.2	87.2		
	Width	61.7	61.7		
	Height	55.26	55.26		
OPERATING WT. (lbs.)		1047	941		
COMPRESSORS	Type	Scroll		Scroll	
	Quantity	2		2	
	Unit Capacity Steps (%)	50/100		50/100	
CONDENSER COIL DATA	Face area (Sq. Ft.)	24.9	24.9		
	Rows	1	1		
	Fins per inch	21	21		
	Tube diameter (in./MM)	1.26/32	1.26/32		
	Circuitry Type	2-pass Microchannel		2-pass Microchannel	
EVAPORATOR COIL DATA	Face area (Sq. Ft.)	11.1	11.1		
	Rows	4	4		
	Fins per inch	15	15		
	Tube diameter	0.375	0.375		
	Circuitry Type	Intertwined		Intertwined	
	Refrigerant control	TXV		TXV	

ZX14 Physical Data (Continued)

Component	Models						
	ZXG14			ZXE14			
Nominal Tonnage	12.5			12.5			
CONDENSER FAN DATA	Quantity of fans	1			1		
	Fan diameter (Inch)	30			30		
	Type	Prop			Prop		
	Drive type	Direct			Direct		
	Quantity of motors	1			1		
	Motor HP each	1 1/2			1 1/2		
	No. speeds	1			1		
	RPM	1140			1140		
	Nominal total CFM	10600			10600		
EVAP FAN DATA BELT DRIVE	Airflow Option	A	B	C	A	B	C
	Quantity	1	1	1	1	1	1
	Fan Size (Inch)	15 x 15	15 x 15	15 x 15	15 x 15	15 x 15	15 x 15
	Type	Centrifugal			Centrifugal		
	Motor Sheave	1VL44	1VP50	1VP56	1VL44	1VP50	1VP56
	Blower Sheave	AK79	AK79	BK85	AK79	AK79	BK85
	Belt	A50	A52	BX54	A50	A52	BX54
	Motor HP each	2.9	3.7	5.25	2.9	3.7	5.25
	RPM	1750	1750	1750	1750	1750	1750
	Frame size	56Z	184TZ	184TZ	56Z	184TZ	184TZ
FILTERS	Quantity - Size	4 - (16 x 16 x 2) ¹			4 - (16 x 16 x 2) ¹		

1. 2 in. Throwaway, Standard, MERV 4 (Minimum Efficiency Reporting Value).

ZY04 Physical Data

Component		Models				
		ZYG04			ZYE04	
Nominal Tonnage		3			3	
AHRI COOLING PERFORMANCE	Gross Capacity @ AHRI A point (Btu)	40700			40700	
	AHRI net capacity (Btu)	36000			36000	
	EER	12			12	
	SEER	15			15	
	IEER	-			-	
	IEER IntelliSpeed	-			-	
	Nominal CFM	1200			1200	
	System power (KW)	2.60			2.60	
	Refrigerant type	R-410A			R-410A	
	Refrigerant charge (lb-oz)					
	System 1	4-10			4-10	
System 2	-			-		
AHRI HEATING PERFORMANCE	Heating Option	L	D	M	E	-
	Heating model	Low (Low-NOx)	Low	Med (Low-NOx)	Med	-
	1st. Stage Heat input (K Btu)	-	49	-	82	-
	2nd. Stage Heat input (K Btu)	56	70	90	112	-
	1st. Stage Heat output (K Btu)	-	39	-	66	-
	2nd. Stage Heat output (K Btu)	45	56	72	90	-
	AFUE %					-
	Steady state efficiency (%)	80	80	80	80	-
	No. burners	2	2	3	3	-
	No. stages	1	2	1	2	-
	Temperature Rise Range (°F)	30-49	35-58	44-74	55-78	-
	Gas Limit Setting (°F)	150	150	140	140	-
	Gas piping connection (in.)	1/2	1/2	1/2	1/2	-
DIMENSIONS (inches)	Length	74.1			74.1	
	Width	48.9			48.9	
	Height	32.5			32.5	
OPERATING WT. (lbs.)	527			481		
COMPRESSORS	Type	Scroll			Scroll	
	Quantity	1			1	
	Unit Capacity Steps (%)	100			100	
CONDENSER COIL DATA	Face area (Sq. Ft.)	16.3			16.3	
	Rows	1			1	
	Fins per inch	23			23	
	Tube diameter (in./MM)	.63/16			.63/16	
	Circuitry Type	2-pass Microchannel			2-pass Microchannel	
EVAPORATOR COIL DATA	Face area (Sq. Ft.)	5.5			5.5	
	Rows	3			3	
	Fins per inch	15			15	
	Tube diameter	0.375			0.375	
	Circuitry Type	Intertwined			Intertwined	
	Refrigerant control	TXV			TXV	

ZY04 Physical Data (Continued)

Component	Models				
	ZYG04	ZYE04			
Nominal Tonnage	3	3			
CONDENSER FAN DATA	Quantity of fans	1	1		
	Fan diameter (Inch)	22	22		
	Type	Prop	Prop		
	Drive type	Direct	Direct		
	Quantity of motors	1	1		
	Motor HP each	1/4	1/4		
	No. speeds	1	1		
	RPM	1100	1100		
Nominal total CFM	3800	3800			
EVAP FAN DATA DIRECT DRIVE	Airflow Option	A	A		
	Quantity	1	1		
	Fan Size (Inch)	10 x 10	10 x 10		
	Type	Centrifugal	Centrifugal		
	Motor HP	3/4	3/4		
	RPM	1050	1050		
EVAP FAN DATA BELT DRIVE	Airflow Option	B	C	B	C
	Quantity	1	1	1	1
	Fan Size (Inch)	10 x 10	10 x 10	10 x 10	10 x 10
	Type	Centrifugal		Centrifugal	
	Motor Sheave	1VL34	1VL44	1VL34	1VL44
	Blower Sheave	AK46	AK46	AK46	AK46
	Belt	A39	A40	A39	A40
	Motor HP each	1.5	1.5	1.5	1.5
	RPM	1725	1725	1725	1725
	Frame size	56Y	56Y	56Y	56Y
FILTERS	Quantity - Size	2 - (16 x 25 x 2) ¹		2 - (16 x 25 x 2) ¹	

1. 2 in. Throwaway, Standard, MERV 4 (Minimum Efficiency Reporting Value).

ZY05 Physical Data

Component		Models						
		ZYG05			ZYE05			
Nominal Tonnage		4			4			
AHRI COOLING PERFORMANCE	Gross Capacity @ AHRI A point (Btu)	54800			54800			
	AHRI net capacity (Btu)	49000			49000			
	EER	12			12			
	SEER	15.4			15.4			
	IEER	-			-			
	IEER IntelliSpeed	-			-			
	Nominal CFM	1600			1600			
	System power (KW)	3.50			3.50			
	Refrigerant type	R-410A			R-410A			
	Refrigerant charge (lb-oz)							
	System 1	6-8			6-8			
	System 2	-			-			
AHRI HEATING PERFORMANCE	Heating Options	L	D	M	E	N	F	-
	Heating model	Low (Low-NOx)	Low	Med (Low-NOx)	Med	High, (Low-NOx)	High	-
	1st. Stage Heat input (K Btu)	-	49	-	82	-	100	-
	2nd. Stage Heat input (K Btu)	56	70	90	112	118	145	-
	1st. Stage Heat output (K Btu)	-	39	-	66	-	80	-
	2nd. Stage Heat output (K Btu)	45	56	72	90	94	116	-
	AFUE %							-
	Steady state efficiency (%)	80	80	80	80	80	80	-
	No. burners	2	2	3	3	3	3	-
	No. stages	1	2	1	2	1	2	-
	Temperature Rise Range (°F)	22-37	26-43	33-56	41-69	44-73	49-77	-
	Gas Limit Setting (°F)	150	150	140	140	150	145	-
	Gas piping connection (in.)	1/2	1/2	1/2	1/2	1/2	1/2	-
DIMENSIONS (inches)	Length	74.1			74.1			
	Width	48.9			48.9			
	Height	40.6			40.6			
OPERATING WT. (lbs.)	618			564				
COMPRESSORS	Type	Scroll			Scroll			
	Quantity	1			1			
	Unit Capacity Steps (%)	100			100			
CONDENSER COIL DATA	Face area (Sq. Ft.)	21.1			21.1			
	Rows	1			1			
	Fins per inch	23			23			
	Tube diameter (in./MM)	.79/20			.79/20			
	Circuitry Type	2-pass Microchannel			2-pass Microchannel			
EVAPORATOR COIL DATA	Face area (Sq. Ft.)	7.3			7.3			
	Rows	3			3			
	Fins per inch	15			15			
	Tube diameter	0.375			0.375			
	Circuitry Type	Intertwined			Intertwined			
	Refrigerant control	TXV			TXV			

ZY05 Physical Data (Continued)

Component	Models				
	ZYG05		ZYE05		
Nominal Tonnage	4		4		
CONDENSER FAN DATA	Quantity of fans	1		1	
	Fan diameter (Inch)	22		22	
	Type	Prop		Prop	
	Drive type	Direct		Direct	
	Quantity of motors	1		1	
	Motor HP each	1/4		1/4	
	No. speeds	1		1	
	RPM	1100		1100	
Nominal total CFM	4000		4000		
EVAP FAN DATA DIRECT DRIVE	Airflow Option	A		A	
	Quantity	1		1	
	Fan Size (Inch)	10 x 10		10 x 10	
	Type	Centrifugal		Centrifugal	
	Motor HP	1		1	
	RPM	1050		1050	
EVAP FAN DATA BELT DRIVE	Airflow Option	B	C	B	C
	Quantity	1	1	1	1
	Fan Size (Inch)	10 x 10	10 x 10	10 x 10	10 x 10
	Type	Centrifugal		Centrifugal	
	Motor Sheave	1VL34	1VL44	1VL44	1VL44
	Blower Sheave	AK46	AK46	AK46	AK46
	Belt	A39	A40	A39	A40
	Motor HP each	1.5	2	1.5	2
	RPM	1725	1725	1725	1725
	Frame size	56Y	56Y	56Y	56Y
FILTERS	Quantity - Size	4 - (16 x 16 x 2) ¹		4 - (16 x 16 x 2) ¹	

1. 2 in. Throwaway, Standard, MERV 4 (Minimum Efficiency Reporting Value).

ZY06 Physical Data

Component		Models						
		ZYG06				ZYE06		
Nominal Tonnage		5				5		
AHRI COOLING PERFORMANCE	Gross Capacity @ AHRI A point (Btu)	60000				60000		
	AHRI net capacity (Btu)	58000				58000		
	EER	12				12		
	SEER	15.2				15.2		
	IEER	-				-		
	IEER IntelliSpeed	-				-		
	Nominal CFM	1600				1600		
	System power (KW)	4.40				4.40		
	Refrigerant type	R-410A				R-410A		
	Refrigerant charge (lb-oz)							
	System 1	7-10				7-10		
System 2	-				-			
AHRI HEATING PERFORMANCE	Heating Options	L	D	M	E	N	F	-
	Heating model	Low (Low-NOx)	Low	Med (Low-NOx)	Med	High, (Low-NOx)	High	-
	1st. Stage Heat input (K Btu)	-	49	-	82	-	100	-
	2nd. Stage Heat input (K Btu)	56	70	90	112	118	145	-
	1st. Stage Heat output (K Btu)	-	39	-	66	-	80	-
	2nd. Stage Heat output (K Btu)	45	56	72	90	94	116	-
	AFUE %							-
	Steady state efficiency (%)	80	80	80	80	80	80	-
	No. burners	2	2	3	3	3	3	-
	No. stages	1	2	1	2	1	2	-
	Temperature Rise Range (°F)	18-30	21-35	27-44	33-55	35-58	43-72	-
	Gas Limit Setting (°F)	150	150	140	140	145	140	-
	Gas piping connection (in.)	1/2	1/2	1/2	1/2	1/2	1/2	-
DIMENSIONS (inches)	Length	74.1				74.1		
	Width	48.9				48.9		
	Height	40.6				40.6		
OPERATING WT. (lbs.)	636				582			
COMPRESSORS	Type	Scroll				Scroll		
	Quantity	1				1		
	Unit Capacity Steps (%)	100				100		
CONDENSER COIL DATA	Face area (Sq. Ft.)	21.1				21.1		
	Rows	1				1		
	Fins per inch	23				23		
	Tube diameter (in./MM)	.79/20				.79/20		
	Circuitry Type	2-pass Microchannel				2-pass Microchannel		
EVAPORATOR COIL DATA	Face area (Sq. Ft.)	7.3				7.3		
	Rows	4				4		
	Fins per inch	15				15		
	Tube diameter	0.375				0.375		
	Circuitry Type	Intertwined				Intertwined		
	Refrigerant control	TXV				TXV		

ZY06 Physical Data (Continued)

Component	Models				
	ZYG06		ZYE06		
Nominal Tonnage	5		5		
CONDENSER FAN DATA	Quantity of fans	1		1	
	Fan diameter (Inch)	22		22	
	Type	Prop		Prop	
	Drive type	Direct		Direct	
	Quantity of motors	1		1	
	Motor HP each	1/2		1/2	
	No. speeds	1		1	
	RPM	1085		1085	
Nominal total CFM	4600		4600		
EVAP FAN DATA DIRECT DRIVE	Airflow Option	A		A	
	Quantity	1		1	
	Fan Size (Inch)	11 x 10		11 x 10	
	Type	Centrifugal		Centrifugal	
	Motor HP	1		1	
	RPM	1050		1050	
EVAP FAN DATA BELT DRIVE	Airflow Option	B	C	B	C
	Quantity	1	1	1	1
	Fan Size (Inch)	11 x 10	11 x 10	11 x 10	11 x 10
	Type	Centrifugal		Centrifugal	
	Motor Sheave	1VL34	1VL44	1VL34	1VL44
	Blower Sheave	AK46	AK46	AK46	AK46
	Belt	A37	A39	A37	A39
	Motor HP each	2.4	2.9	2.4	2.9
	RPM	1750	1750	1750	1750
	Frame size	56HZ	56Z	56HZ	56Z
FILTERS	Quantity - Size	4 - (16 x 16 x 2) ¹		4 - (16 x 16 x 2) ¹	

1. 2 in. Throwaway, Standard, MERV 4 (Minimum Efficiency Reporting Value).

ZY07 Physical Data

Component	Models			
	ZYG07	ZYE07		
Nominal Tonnage	6	6		
AHRI COOLING PERFORMANCE	Gross Capacity @ AHRI A point (Btu)	81200	81200	
	AHRI net capacity (Btu)	72000	72000	
	EER	12	12	
	SEER	-	-	
	IEER	12.6	12.6	
	IEER IntelliSpeed	-	-	
	Nominal CFM	2400	2400	
	System power (KW)	5	5	
	Refrigerant type	R-410A	R-410A	
	Refrigerant charge (lb-oz)			
	System 1	8-8	8-8	
System 2	-	-		
AHRI HEATING PERFORMANCE	Heating Option	E	F	-
	Heating model	Med	High	-
	1st. Stage Heat input (K Btu)	90	110	-
	2nd. Stage Heat input (K Btu)	125	150	-
	1st. Stage Heat output (K Btu)	72	88	-
	2nd. Stage Heat output (K Btu)	100	120	-
	AFUE %			-
	Steady state efficiency (%)	80	80	-
	No. burners	3	3	-
	No. stages	2	2	-
	Temperature Rise Range (°F)	31-51	37-62	-
	Gas Limit Setting (°F)	140	160	-
Gas piping connection (in.)	3/4	3/4	-	
DIMENSIONS (inches)	Length	87.2	87.2	
	Width	61.7	61.7	
	Height	40.6	40.6	
OPERATING WT. (lbs.)		804	734	
COMPRESSORS	Type	Scroll	Scroll	
	Quantity	1	1	
	Unit Capacity Steps (%)	100	100	
CONDENSER COIL DATA	Face area (Sq. Ft.)	21.1	21.1	
	Rows	1	1	
	Fins per inch	23	23	
	Tube diameter (in./MM)	1/25	1/25	
	Circuitry Type	2-pass Microchannel	2-pass Microchannel	
EVAPORATOR COIL DATA	Face area (Sq. Ft.)	8.9	8.9	
	Rows	3	3	
	Fins per inch	15	15	
	Tube diameter	0.375	0.375	
	Circuitry Type	Intertwined	Intertwined	
	Refrigerant control	TXV	TXV	

ZY07 Physical Data (Continued)

Component	Models						
	ZYG07			ZYE07			
Nominal Tonnage	6			6			
CONDENSER FAN DATA	Quantity of fans	2			2		
	Fan diameter (Inch)	22			22		
	Type	Prop			Prop		
	Drive type	Direct			Direct		
	Quantity of motors	2			2		
	Motor HP each	1/2			1/2		
	No. speeds	1			1		
	RPM	1085			1085		
Nominal total CFM	7600			7600			
EVAP FAN DATA BELT DRIVE	Airflow Option	A	B	C	A	B	C
	Quantity	1	1	1	1	1	1
	Fan Size (Inch)	15 x 15	15 x 15	15 x 15	15 x 15	15 x 15	15 x 15
	Type	Centrifugal			Centrifugal		
	Motor Sheave	1VL34	1VL44	1VP50	1VL34	1VL44	1VP50
	Blower Sheave	AK74	AK74	AK74	AK74	AK74	AK74
	Belt	A47	A48	A48	A47	A48	A48
	Motor HP each	1.5	2	3	1.5	2	3
	RPM	1725	1725	1725	1725	1725	1725
	Frame size	56Y	56Y	56HZ	56Y	56Y	56HZ
FILTERS	Quantity - Size	4 - (16 x 20 x 2) ¹			4 - (16 x 20 x 2) ¹		

1. 2 in. Throatway, Standard, MERV 4 (Minimum Efficiency Reporting Value).

ZY08 Physical Data

Component	Model				
	ZYG08		ZYE08		
Nominal Tonnage	7.5		7.5		
AHRI COOLING PERFORMANCE	Gross Capacity @ AHRI A point (Btu)	97300		97300	
	AHRI net capacity (Btu)	89000		89000	
	EER	12		12.2	
	SEER	-		-	
	IEER	12.4		12.6	
	IEER IntelliSpeed	-		-	
	Nominal CFM	2900		2900	
	System power (KW)	6.6		6.6	
	Refrigerant type	R-410A		R-410A	
	Refrigerant charge (lb-oz)				
	System 1	6-0		6-0	
System 2	6-2		6-2		
AHRI HEATING PERFORMANCE	Heating Options	D	E	F	-
	Heating model	Low	Med	High	-
	1st. Stage Heat input (K Btu)	90	125	176	-
	2nd. Stage Heat input (K Btu)	125	180	220	-
	1st. Stage Heat output (K Btu)	72	100	141	-
	2nd. Stage Heat output (K Btu)	100	144	176	-
	AFUE %				-
	Steady state efficiency (%)	80	80	80	-
	No. burners	3	4	5	-
	No. stages	2	2	2	-
	Temperature Rise Range (°F)	25-41	36-59	43-72	-
	Gas Limit Setting (°F)	140	150	140	-
Gas piping connection (in.)	3/4	3/4	3/4	-	
DIMENSIONS (inches)	Length	87.2		87.2	
	Width	61.7		61.7	
	Height	48.6		48.6	
OPERATING WT. (lbs.)	980		878		
COMPRESSORS	Type	Scroll		Scroll	
	Quantity	2		2	
	Unit Capacity Steps (%)	50/100		50/100	
CONDENSER COIL DATA	Face area (Sq. Ft.)	25.5		25.5	
	Rows	1		1	
	Fins per inch	23		23	
	Tube diameter (in./MM)	1/25		1/25	
	Circuitry Type	2-pass Microchannel		2-pass Microchannel	
EVAPORATOR COIL DATA	Face area (Sq. Ft.)	11.1		11.1	
	Rows	4		4	
	Fins per inch	15		15	
	Tube diameter	0.375		0.375	
	Circuitry Type	Intertwined		Intertwined	
	Refrigerant control	TXV		TXV	
CONDENSER FAN DATA	Quantity of fans	2		2	
	Fan diameter (Inch)	22		22	
	Type	Prop		Prop	
	Drive type	Direct		Direct	
	Quantity of motors	2		2	
	Motor HP each	1/2		1/2	
	No. speeds	1		1	
	RPM	1085		1085	
	Nominal total CFM	8600		8600	

ZY08 Physical Data (Continued)

Component	Model					
	ZYG08			ZYE08		
Nominal Tonnage	7.5			7.5		
EVAP FAN DATA BELT DRIVE						
Airflow Option	A	B	C	A	B	C
Quantity	1	1	1	1	1	1
Fan Size (Inch)	15 x 15	15 x 15	15 x 15	15 x 15	15 x 15	15 x 15
Type	Centrifugal			Centrifugal		
Motor Sheave	1VL34	1VL44	1VP50	1VL34	1VL44	1VP50
Blower Sheave	AK74	AK74	AK74	AK74	AK74	AK74
Belt	A47	A48	A50	A47	A48	A50
Motor HP each	1.5	1.5	3	1.5	1.5	3
RPM	1725	1725	1725	1725	1725	1725
Frame size	56Y	56Y	56HZ	56Y	56Y	56HZ
FILTERS						
Quantity - Size	4 - (20 x 20 x 2) ¹			4 - (20 x 20 x 2) ¹		

1. 2 in. Throwaway, Standard, MERV 4 (Minimum Efficiency Reporting Value).

ZY09 Physical Data

Component		Model			
		ZYG09	ZYE09		
Nominal Tonnage		8.5	8.5		
AHRI COOLING PERFORMANCE	Gross Capacity @ AHRI A point (Btu)	109500	109500		
	AHRI net capacity (Btu)	98000	98000		
	EER	12	12.2		
	SEER	-	-		
	IEER	12.4	12.6		
	IEER IntelliSpeed	-	-		
	Nominal CFM	3300	3300		
	System power (KW)	7.30	7.30		
	Refrigerant type	R-410A	R-410A		
	Refrigerant charge (lb-oz)				
	System 1	6-8	6-8		
System 2	6-0	6-0			
AHRI HEATING PERFORMANCE	Heating Options	D	E	F	-
	Heating model	Low	Med	High	-
	1st. Stage Heat input (K Btu)	90	125	176	-
	2nd. Stage Heat input (K Btu)	125	180	220	-
	1st. Stage Heat output (K Btu)	72	100	141	-
	2nd. Stage Heat output (K Btu)	100	144	176	-
	AFUE %				-
	Steady state efficiency (%)	80	80	80	-
	No. burners	3	4	5	-
	No. stages	2	2	2	-
	Temperature Rise Range (°F)	22-36	31-52	38-64	-
	Gas Limit Setting (°F)	140	150	140	-
	Gas piping connection (in.)	3/4	3/4	3/4	-
DIMENSIONS (inches)	Length	87.2		87.2	
	Width	61.7		61.7	
	Height	48.6		48.6	
OPERATING WT. (lbs.)	980		878		
COMPRESSORS	Type	Scroll		Scroll	
	Quantity	2		2	
	Unit Capacity Steps (%)	50/100		50/100	
CONDENSER COIL DATA	Face area (Sq. Ft.)	25.5		25.5	
	Rows	1		1	
	Fins per inch	23		23	
	Tube diameter (in./MM)	1/25		1/25	
	Circuitry Type	2-pass Microchannel	2-pass Microchannel		
EVAPORATOR COIL DATA	Face area (Sq. Ft.)	11.1		11.1	
	Rows	4		4	
	Fins per inch	15		15	
	Tube diameter	0.375		0.375	
	Circuitry Type	Intertwined	Intertwined		
	Refrigerant control	TXV	TXV		

ZY09 Physical Data (Continued)

Component	Model						
	ZYG09			ZYE09			
Nominal Tonnage	8.5			8.5			
CONDENSER FAN DATA	Quantity of fans	2			2		
	Fan diameter (Inch)	22			22		
	Type	Prop			Prop		
	Drive type	Direct			Direct		
	Quantity of motors	2			2		
	Motor HP each	1/2			1/2		
	No. speeds	1			1		
	RPM	1085			1085		
Nominal total CFM	8600			8600			
EVAP FAN DATA BELT DRIVE	Airflow Option	A	B	C	A	B	C
	Quantity	1	1	1	1	1	1
	Fan Size (Inch)	15 x 15	15 x 15	15 x 15	15 x 15	15 x 15	15 x 15
	Type	Centrifugal			Centrifugal		
	Motor Sheave	1VL34	1VL44	1VP50	1VL34	1VL44	1VP50
	Blower Sheave	AK74	AK74	AK74	AK74	AK74	AK74
	Belt	A47	A48	A50	A47	A48	A50
	Motor HP each	1.5	1.5	3	1.5	1.5	3
	RPM	1725	1725	1725	1725	1725	1725
	Frame size	56Y	56Y	56HZ	56Y	56Y	56HZ
FILTERS	Quantity - Size	4 - (20 x 20 x 2) ¹			4 - (20 x 20 x 2) ¹		

1. 2 in. Throwaway, Standard, MERV 4 (Minimum Efficiency Reporting Value).

ZY12 Physical Data

Component		Model			
		ZYG12	ZYE12		
Nominal Tonnage		10	10		
AHRI COOLING PERFORMANCE	Gross Capacity @ AHRI A point (Btu)	123700	123700		
	AHRI net capacity (Btu)	116000	116000		
	EER	11.5	11.7		
	SEER	-	-		
	IEER	11.6	11.8		
	IEER IntelliSpeed	14.4	14.4		
	Nominal CFM	3200	3200		
	System power (KW)	8.90	8.90		
	Refrigerant type	R-410A	R-410A		
	Refrigerant charge (lb-oz)				
	System 1	6-8	6-8		
System 2	7-0	7-0			
AHRI HEATING PERFORMANCE	Heating Options	D	E	F	-
	Heating model	Low	Med	High	-
	1st. Stage Heat input (K Btu)	125	176	200	-
	2nd. Stage Heat input (K Btu)	180	220	250	-
	1st. Stage Heat output (K Btu)	100	141	160	-
	2nd. Stage Heat output (K Btu)	144	176	200	-
	AFUE %				-
	Steady state efficiency (%)	80	80	80	-
	No. burners	4	5	5	-
	No. stages	2	2	2	-
	Temperature Rise Range (°F)	27-44	33-54	37-62	-
	Gas Limit Setting (°F)	150	140	160	-
	Gas piping connection (in.)	3/4	3/4	3/4	-
DIMENSIONS (inches)	Length	87.2		87.2	
	Width	61.7		61.7	
	Height	55.3		55.3	
OPERATING WT. (lbs.)	1008		902		
COMPRESSORS	Type	Scroll		Scroll	
	Quantity	2		2	
	Unit Capacity Steps (%)	50/100		50/100	
CONDENSER COIL DATA	Face area (Sq. Ft.)	24.9		24.9	
	Rows	1		1	
	Fins per inch	21		21	
	Tube diameter (in./MM)	1.26/32		1.26/32	
	Circuitry Type	2-pass Microchannel		2-pass Microchannel	
EVAPORATOR COIL DATA	Face area (Sq. Ft.)	11.1		11.1	
	Rows	4		4	
	Fins per inch	15		15	
	Tube diameter	0.375		0.375	
	Circuitry Type	Intertwined		Intertwined	
	Refrigerant control	TXV		TXV	

ZY12 Physical Data (Continued)

Component		Model					
		ZYG12			ZYE12		
Nominal Tonnage		10			10		
CONDENSER FAN DATA							
	Quantity of fans	1			1		
	Fan diameter (Inch)	30			30		
	Type	Prop			Prop		
	Drive type	Direct			Direct		
	Quantity of motors	1			1		
	Motor HP each	1 1/2			1 1/2		
	No. speeds	1			1		
	RPM	1140			1140		
	Nominal total CFM	9700			9700		
EVAP FAN DATA BELT DRIVE							
	Airflow Option	A	B	C	A	B	C
	Quantity	1	1	1	1	1	1
	Fan Size (Inch)	15 x 15	15 x 15	15 x 15	15 x 15	15 x 15	15 x 15
	Type	Centrifugal			Centrifugal		
	Motor Sheave	1VL44	1VP50	1VP56	1VL44	1VP50	1VP56
	Blower Sheave	AK79	AK79	BK85	AK79	AK79	BK85
	Belt	A50	A50	BX52	A50	A50	BX52
	Motor HP each	1.5	3	5	1.5	3	5
	RPM	1725	1725	1725	1725	1725	1725
	Frame size	56Y	56HZ	145TY	56Y	56HZ	145TY
FILTERS							
	Quantity - Size	4 - (20 x 20 x 2) ¹			4 - (20 x 20 x 2) ¹		

1. 2 in. Throwaway, Standard, MERV 4 (Minimum Efficiency Reporting Value).

ZX/ZY 04-14 Unit Limitations

Model	Size (Tons)	Unit Voltage	Unit Limitations		
			Applied Voltage		Outdoor DB Temp
			Min	Max	Max (°F)
ZX/ZY	04 (3)	208/230-1-60	187	252	125
		208/230-3-60	187	252	125
		460-3-60	432	504	125
		575-3-60	540	630	125
ZX/ZY	05 (4)	208/230-1-60	187	252	125
		208/230-3-60	187	252	125
		460-3-60	432	504	125
		575-3-60	540	630	125
ZX/ZY	06 (5)	208/230-1-60	187	252	125
		208/230-3-60	187	252	125
		460-3-60	432	504	125
		575-3-60	540	630	125
ZX/ZY	07 (6.5)	208/230-3-60	187	252	125
		460-3-60	432	504	125
		575-3-60	540	630	125
ZX/ZY	08 (7.5)	208/230-3-60	187	252	125
		460-3-60	432	504	125
		575-3-60	540	630	125
ZX/ZY	09 (8.5)	208/230-3-60	187	252	125
		460-3-60	432	504	125
		575-3-60	540	630	125
ZX/ZY	12 (10)	208/230-3-60	187	252	125
		460-3-60	432	504	125
		575-3-60	540	630	125
ZX	14 (12.5)	208/230-3-60	187	252	125
		460-3-60	432	504	125
		575-3-60	540	630	125

Capacity Performance

ZX04-14 Cooling Capacities

ZX04 (3.0 Ton)

Air on Evaporator Coil		Temperature of Air on Condenser Coil															
CFM	WB (°F)	Total Capacity ¹ (MBh)	Total Input (kW) ²	Sensible Capacity (MBh)						Total Capacity ¹ (MBh)	Total Input (kW) ²	Sensible Capacity (MBh)					
				Return Dry Bulb (°F)								Return Dry Bulb (°F)					
				90	85	80	75	70	65			90	85	80	75	70	65
		75°F							85°F								
750	77	43.3	2.3	22.3	18.2	14.2	-	-	-	42.0	2.6	21.9	18.1	14.4	-	-	-
	72	40.4	2.2	26.7	22.7	18.7	14.7	-	-	38.9	2.5	26.3	22.3	18.4	14.4	-	-
	67	37.6	2.2	31.2	27.3	23.3	18.9	15.2	-	35.9	2.5	30.7	26.5	22.3	18.2	14.5	-
	62	34.6	2.2	34.1	31.0	27.9	22.5	19.6	15.4	34.1	2.4	33.6	30.0	26.3	21.8	18.5	14.6
900	77	43.6	2.3	23.9	19.0	14.2	-	-	-	42.2	2.6	23.7	19.0	14.4	-	-	-
	72	41.2	2.3	28.4	23.9	19.5	15.1	-	-	39.7	2.5	28.1	23.6	19.1	14.7	-	-
	67	38.9	2.2	32.9	28.8	24.8	19.9	15.6	-	37.2	2.5	32.4	28.1	23.9	19.2	14.9	-
	62	36.4	2.2	35.6	32.9	30.1	24.3	20.5	15.7	35.7	2.5	35.0	31.8	28.6	23.6	19.5	15.0
	57	35.6	2.2	35.6	35.6	35.4	30.4	25.5	20.5	35.0	2.4	35.0	35.0	33.4	28.8	24.2	19.6
1050	77	43.9	2.3	25.4	19.8	14.3	-	-	-	42.5	2.6	25.6	19.9	14.3	-	-	-
	72	42.0	2.3	30.0	25.1	20.2	15.4	-	-	40.5	2.6	29.8	24.9	19.9	14.9	-	-
	67	40.1	2.2	34.6	30.4	26.2	20.9	16.0	-	38.5	2.5	34.1	29.8	25.4	20.2	15.3	-
	62	38.3	2.2	37.1	34.7	32.2	26.1	21.5	16.1	37.3	2.5	36.3	33.6	31.0	25.4	20.6	15.4
	57	37.6	2.2	37.6	37.6	37.5	32.6	27.0	21.3	36.8	2.5	36.8	36.8	36.2	31.2	25.9	20.6
1200	77	44.3	2.3	27.0	20.6	14.3	-	-	-	42.7	2.6	27.4	20.8	14.3	-	-	-
	72	42.8	2.3	31.6	26.3	21.0	15.7	-	-	41.2	2.6	31.6	26.1	20.6	15.1	-	-
	67	41.3	2.3	36.3	32.0	27.7	21.9	16.4	-	39.7	2.5	35.8	31.4	27.0	21.2	15.6	-
	62	40.1	2.2	38.7	36.5	34.4	27.9	22.4	16.4	38.9	2.5	37.6	35.5	33.3	27.2	21.6	15.8
	57	39.7	2.2	39.7	39.7	39.7	34.8	28.5	22.1	38.5	2.5	38.5	38.5	38.5	33.6	27.6	21.6
1350	72	43.6	2.3	33.3	27.5	21.8	16.0	-	-	42.0	2.6	33.4	27.4	21.4	15.4	-	-
	67	42.5	2.3	37.9	33.6	29.2	22.9	16.8	-	41.0	2.6	37.5	33.0	28.5	22.2	16.0	-
	62	41.9	2.3	40.2	38.4	36.6	29.7	23.4	16.8	40.6	2.6	39.0	37.3	35.7	29.0	22.7	16.2
	57	41.7	2.3	41.7	41.7	41.7	37.0	30.0	23.0	40.3	2.6	40.0	40.0	40.0	36.1	29.3	22.6
1500	72	44.3	2.3	34.9	28.7	22.5	16.3	-	-	42.7	2.6	35.2	28.6	22.1	15.6	-	-
	67	43.8	2.3	39.6	35.1	30.6	23.9	17.2	-	42.3	2.6	39.2	34.7	30.1	23.2	16.4	-
	62	43.7	2.3	41.7	40.2	38.7	31.5	24.4	17.2	42.2	2.6	40.3	39.2	38.0	30.9	23.7	16.6
	57	43.7	2.3	43.7	43.7	43.7	39.2	31.5	23.8	42.1	2.6	41.3	41.3	41.3	38.5	31.0	23.5
		95°F							105°F								
750	77	40.8	2.9	21.5	18.1	14.7	-	-	-	37.7	3.3	20.6	16.9	13.3	-	-	-
	72	37.4	2.8	25.8	21.9	18.0	14.1	-	-	34.8	3.2	24.8	20.8	16.8	12.9	-	-
	67	34.1	2.7	30.2	25.8	21.3	17.6	13.8	-	31.9	3.1	28.9	24.7	20.4	16.5	12.5	-
	62	33.5	2.7	33.2	28.9	24.6	21.0	17.4	13.8	31.4	3.1	31.0	27.5	24.0	20.1	16.1	12.2
900	77	40.9	2.9	23.6	19.1	14.5	-	-	-	37.9	3.3	22.9	18.0	13.1	-	-	-
	72	38.2	2.8	27.8	23.3	18.8	14.3	-	-	35.6	3.2	26.7	22.1	17.6	13.0	-	-
	67	35.5	2.8	32.0	27.5	23.0	18.6	14.2	-	33.2	3.1	30.5	26.2	22.0	17.4	12.8	-
	62	35.0	2.7	34.3	30.8	27.2	22.9	18.6	14.3	32.7	3.1	32.1	29.3	26.4	21.8	17.2	12.6
	57	34.5	2.7	34.5	34.1	31.4	27.2	23.0	18.8	32.3	3.1	32.3	32.3	30.9	26.2	21.6	16.9
1050	77	41.0	2.9	25.7	20.0	14.4	-	-	-	38.2	3.3	25.1	19.1	13.0	-	-	-
	72	38.9	2.8	29.7	24.6	19.5	14.4	-	-	36.4	3.2	28.6	23.4	18.3	13.2	-	-
	67	36.8	2.8	33.7	29.1	24.6	19.6	14.5	-	34.6	3.2	32.0	27.8	23.6	18.4	13.2	-
	62	36.4	2.8	35.5	32.6	29.7	24.7	19.7	14.7	34.1	3.2	33.3	31.1	28.9	23.6	18.3	13.0
	57	35.9	2.7	35.9	35.9	34.8	29.8	24.9	19.9	33.7	3.1	33.7	33.7	33.7	28.8	23.4	18.0
1200	77	41.2	2.9	27.8	21.0	14.3	-	-	-	38.5	3.3	27.4	20.1	12.9	-	-	-
	72	39.7	2.9	31.6	25.9	20.3	14.6	-	-	37.2	3.3	30.5	24.8	19.1	13.3	-	-
	67	38.2	2.8	35.4	30.8	26.3	20.6	14.9	-	35.9	3.2	33.6	29.4	25.2	19.4	13.5	-
	62	37.8	2.8	36.6	34.4	32.2	26.5	20.8	15.1	35.5	3.2	34.4	32.9	31.4	25.4	19.4	13.4
	57	37.4	2.8	37.4	37.4	37.4	32.5	26.8	21.0	35.1	3.2	35.1	35.1	35.1	31.4	25.3	19.2
1350	72	40.4	2.9	33.5	27.3	21.0	14.8	-	-	38.0	3.3	32.4	26.1	19.8	13.5	-	-
	67	39.5	2.9	37.1	32.5	27.9	21.6	15.2	-	37.2	3.2	35.1	31.0	26.8	20.3	13.9	-
	62	39.2	2.8	37.8	36.3	34.8	28.4	21.9	15.5	36.9	3.2	35.6	34.7	33.8	27.2	20.5	13.8
	57	38.9	2.8	38.4	38.4	38.4	35.2	28.7	22.2	36.5	3.2	36.1	36.1	36.1	34.0	27.1	20.3
1500	72	41.2	2.9	35.4	28.6	21.8	14.9	-	-	38.8	3.3	34.3	27.4	20.5	13.7	-	-
	67	40.9	2.9	38.8	34.2	29.5	22.6	15.6	-	38.6	3.3	36.6	32.5	28.4	21.3	14.2	-
	62	40.6	2.9	38.9	38.1	37.3	30.2	23.1	16.0	38.2	3.3	36.7	36.5	36.3	28.9	21.6	14.2
	57	40.4	2.9	39.0	39.0	39.0	37.8	30.6	23.3	37.9	3.3	36.8	36.8	36.8	36.6	29.0	21.4

ZX04 (3.0 Ton) (Continued)

Air on Evaporator Coil		Temperature of Air on Condenser Coil																
		Total Capacity ¹ (MBh)	Total Input (kW) ²	Sensible Capacity (MBh)						Total Capacity ¹ (MBh)	Total Input (kW) ²	Sensible Capacity (MBh)						
				Return Dry Bulb (°F)								Return Dry Bulb (°F)						
CFM	WB (°F)			90	85	80	75	70	65			90	85	80	75	70	65	
		115°F									125°F							
750	77	34.6	3.7	19.8	15.8	11.8	-	-	-	31.4	4.1	18.9	14.7	10.4	-	-	-	
	72	32.1	3.6	23.7	19.7	15.7	11.7	-	-	29.4	4.0	22.6	18.6	14.5	10.4	-	-	
	67	29.7	3.5	27.6	23.6	19.5	15.4	11.2	-	27.4	3.9	26.3	22.5	18.6	14.3	9.9	-	
	62	29.2	3.5	28.8	26.0	23.3	19.1	14.8	10.5	27.0	3.9	26.5	24.6	22.7	18.1	13.5	8.9	
900	77	35.0	3.7	22.2	16.9	11.7	-	-	-	32.0	4.1	21.5	15.9	10.3	-	-	-	
	72	33.0	3.6	25.6	21.0	16.4	11.8	-	-	30.4	4.0	24.5	19.8	15.2	10.6	-	-	
	67	31.0	3.5	29.0	25.0	21.1	16.3	11.5	-	28.7	3.9	27.5	23.8	20.1	15.2	10.2	-	
	62	30.5	3.5	29.9	27.8	25.7	20.8	15.9	10.9	28.3	3.9	27.7	26.4	25.0	19.8	14.5	9.3	
	57	30.1	3.5	30.1	30.1	30.1	25.3	20.2	15.1	27.9	4.0	27.9	27.9	27.9	24.3	18.8	13.3	
1050	77	35.4	3.7	24.6	18.1	11.6	-	-	-	32.6	4.1	24.0	17.1	10.2	-	-	-	
	72	33.8	3.6	27.5	22.3	17.1	12.0	-	-	31.3	4.0	26.3	21.1	15.9	10.7	-	-	
	67	32.3	3.6	30.3	26.5	22.6	17.2	11.9	-	30.0	3.9	28.7	25.1	21.6	16.1	10.5	-	
	62	31.9	3.6	31.1	29.6	28.1	22.5	16.9	11.3	29.6	4.0	28.9	28.1	27.3	21.4	15.5	9.7	
	57	31.4	3.6	31.4	31.4	31.4	27.8	22.0	16.2	29.2	4.0	29.1	29.1	29.1	26.8	20.5	14.3	
1200	77	35.8	3.7	27.0	19.2	11.5	-	-	-	33.2	4.1	26.5	18.3	10.2	-	-	-	
	72	34.7	3.6	29.3	23.6	17.8	12.1	-	-	32.2	4.0	28.2	22.4	16.6	10.9	-	-	
	67	33.6	3.6	31.7	27.9	24.2	18.2	12.2	-	31.3	4.0	29.9	26.5	23.1	17.0	10.8	-	
	62	33.2	3.6	32.2	31.4	30.5	24.2	18.0	11.7	30.9	4.0	30.1	29.8	29.6	23.1	16.6	10.0	
	57	32.8	3.6	32.8	32.8	32.8	30.3	23.8	17.3	30.4	4.0	30.3	30.3	30.3	29.2	22.3	15.4	
1350	72	35.6	3.7	31.2	24.9	18.6	12.3	-	-	33.2	4.0	30.1	23.7	17.4	11.0	-	-	
	67	34.9	3.6	33.1	29.4	25.7	19.1	12.5	-	32.6	4.0	31.0	27.8	24.6	17.9	11.1	-	
	62	34.5	3.6	33.4	33.1	32.9	26.0	19.0	12.1	32.1	4.0	31.2	31.2	31.2	24.8	17.6	10.4	
	57	34.1	3.6	33.8	33.8	33.8	32.8	25.6	18.4	31.7	4.0	31.4	31.4	31.4	31.4	24.0	16.5	
1500	72	36.5	3.7	33.1	26.2	19.3	12.4	-	-	34.1	4.1	31.9	25.0	18.1	11.1	-	-	
	67	36.2	3.7	34.4	30.9	27.3	20.0	12.8	-	33.9	4.1	32.2	29.2	26.2	18.8	11.4	-	
	62	35.8	3.7	34.6	34.6	34.6	27.7	20.1	12.5	33.4	4.1	32.4	32.4	32.4	26.4	18.6	10.8	
	57	35.4	3.7	34.7	34.7	34.7	34.7	27.4	19.5	32.9	4.1	32.6	32.6	32.6	32.6	25.8	17.5	

1. These capacities are gross ratings. For net capacity, deduct the supply air blower motor heat (MBh = 3.415 x kW). Refer to the appropriate Blower Performance Table for the kW of the supply air blower motor.
2. These ratings include the condenser fan motors (total 1 kW) and the compressor motors but not the supply air blower motor.

ZX05 (4.0 Ton)

Air on Evaporator Coil		Temperature of Air on Condenser Coil															
CFM	WB (°F)	Total Capacity ¹ (MBh)	Total Input (kW) ²	Sensible Capacity (MBh)						Total Capacity ¹ (MBh)	Total Input (kW) ²	Sensible Capacity (MBh)					
				Return Dry Bulb (°F)								Return Dry Bulb (°F)					
				90	85	80	75	70	65			90	85	80	75	70	65
				75°F						85°F							
1000	77	58.3	2.9	30.7	26.1	21.5	-	-	-	56.5	3.3	29.7	24.9	20.0	-	-	-
	72	53.9	2.9	36.3	31.4	26.5	21.7	-	-	51.8	3.2	35.3	30.2	25.1	20.0	-	-
	67	49.5	2.8	41.9	36.8	31.6	25.8	21.0	-	47.1	3.2	40.8	35.5	30.2	24.6	19.6	-
	62	46.2	2.8	43.5	40.1	36.7	28.6	25.2	19.5	44.6	3.1	42.9	39.1	35.3	28.5	24.2	18.6
1200	77	58.6	2.9	32.9	26.8	20.7	-	-	-	56.6	3.3	32.1	25.8	19.5	-	-	-
	72	54.9	2.9	38.6	32.9	27.1	21.4	-	-	52.7	3.2	37.6	31.7	25.8	20.0	-	-
	67	51.3	2.8	44.3	38.9	33.6	27.0	21.2	-	48.8	3.2	43.2	37.7	32.2	25.8	19.9	-
	62	48.5	2.8	45.8	42.9	40.0	31.5	26.7	20.0	46.8	3.1	45.0	41.7	38.5	31.1	25.6	19.2
1400	77	58.9	2.9	35.2	27.5	19.9	-	-	-	56.8	3.3	34.4	26.7	19.0	-	-	-
	72	56.0	2.9	40.9	34.3	27.7	21.1	-	-	53.7	3.2	39.9	33.3	26.6	19.9	-	-
	67	53.1	2.8	46.7	41.1	35.6	28.1	21.4	-	50.5	3.2	45.5	39.8	34.1	27.0	20.2	-
	62	50.9	2.8	48.1	45.8	43.4	34.4	28.2	20.6	48.9	3.2	47.1	44.4	41.7	33.7	27.1	19.8
1600	77	59.2	2.9	37.4	28.2	19.1	-	-	-	57.0	3.3	36.7	27.6	18.5	-	-	-
	72	57.0	2.9	43.2	35.8	28.3	20.9	-	-	54.6	3.2	42.3	34.8	27.3	19.8	-	-
	67	54.9	2.8	49.1	43.3	37.5	29.3	21.5	-	52.3	3.2	47.8	42.0	36.1	28.2	20.5	-
	62	53.2	2.8	50.5	48.6	46.8	37.3	29.7	21.2	51.1	3.2	49.1	47.0	44.9	36.2	28.6	20.4
1800	72	58.1	2.9	45.5	37.2	28.9	20.6	-	-	55.6	3.2	44.6	36.3	28.0	19.8	-	-
	67	56.7	2.9	51.4	45.5	39.5	30.5	21.7	-	54.0	3.2	50.2	44.1	38.1	29.4	20.7	-
	62	55.6	2.8	52.8	51.5	50.1	40.2	31.2	21.8	53.2	3.2	51.2	49.7	48.1	38.8	30.0	21.0
	57	54.5	2.8	54.0	54.0	54.0	50.7	40.7	30.7	52.4	3.2	52.2	52.2	52.2	48.7	39.3	29.8
2000	72	59.1	2.9	47.8	38.7	29.5	20.3	-	-	56.5	3.3	46.9	37.8	28.8	19.7	-	-
	67	58.6	2.9	53.8	47.7	41.5	31.7	21.9	-	55.8	3.2	52.5	46.3	40.0	30.5	21.0	-
	62	58.0	2.8	55.1	54.3	53.5	43.1	32.7	22.3	55.3	3.2	53.3	52.3	51.3	41.4	31.5	21.6
	57	57.4	2.8	56.4	56.4	56.4	54.5	43.5	32.5	54.9	3.2	54.1	54.1	54.1	52.2	41.9	31.6
				95°F						105°F							
1000	77	54.7	3.6	28.8	23.7	18.6	-	-	-	50.6	4.1	28.1	22.9	17.7	-	-	-
	72	49.7	3.6	34.3	29.0	23.7	18.4	-	-	46.1	4.1	33.0	27.7	22.5	17.2	-	-
	67	44.6	3.5	39.8	34.3	28.8	23.5	18.1	-	41.7	4.0	37.8	32.5	27.2	21.9	16.6	-
	62	43.1	3.5	42.3	38.1	33.9	28.5	23.1	17.8	40.6	4.0	39.6	35.8	32.0	26.6	21.3	16.0
1200	77	54.7	3.6	31.2	24.8	18.4	-	-	-	50.7	4.1	30.5	23.9	17.2	-	-	-
	72	50.5	3.6	36.6	30.6	24.6	18.5	-	-	47.0	4.1	35.2	29.2	23.2	17.2	-	-
	67	46.3	3.5	42.1	36.4	30.7	24.6	18.5	-	43.3	4.0	39.8	34.5	29.2	23.1	17.0	-
	62	45.0	3.5	44.2	40.5	36.9	30.7	24.6	18.4	42.3	4.0	41.3	38.2	35.2	28.9	22.7	16.5
1400	77	54.7	3.6	33.6	25.9	18.2	-	-	-	50.9	4.2	33.0	24.9	16.8	-	-	-
	72	51.4	3.6	38.9	32.2	25.4	18.7	-	-	47.8	4.1	37.4	30.7	24.0	17.2	-	-
	67	48.0	3.5	44.3	38.5	32.7	25.8	18.9	-	44.8	4.1	41.8	36.5	31.1	24.2	17.3	-
	62	47.0	3.5	46.0	43.0	40.0	33.0	26.0	19.0	44.0	4.0	43.0	40.7	38.3	31.2	24.1	17.0
1600	77	54.8	3.6	36.0	26.9	17.9	-	-	-	51.0	4.2	35.4	25.9	16.3	-	-	-
	72	52.2	3.6	41.3	33.8	26.3	18.8	-	-	48.7	4.1	39.6	32.2	24.7	17.3	-	-
	67	49.7	3.6	46.6	40.6	34.7	27.0	19.4	-	46.4	4.1	43.8	38.5	33.1	25.4	17.7	-
	62	48.9	3.5	47.8	45.4	43.0	35.2	27.4	19.6	45.7	4.1	44.7	43.1	41.5	33.5	25.5	17.5
1800	77	53.1	3.6	43.6	35.4	27.2	18.9	-	-	49.5	4.2	41.9	33.7	25.5	17.3	-	-
	72	51.3	3.6	48.9	42.8	36.6	28.2	19.8	-	47.9	4.1	45.8	40.4	35.1	26.5	18.0	-
	67	50.8	3.6	49.7	47.9	46.1	37.4	28.8	20.2	47.4	4.1	46.4	45.5	44.7	35.8	26.9	18.0
	57	50.4	3.6	50.4	50.4	50.4	46.7	37.9	29.0	47.0	4.1	47.0	47.0	47.0	45.0	35.8	26.6
2000	72	53.9	3.6	45.9	37.0	28.0	19.1	-	-	50.4	4.2	44.1	35.2	26.2	17.3	-	-
	67	53.0	3.6	51.2	44.9	38.6	29.4	20.2	-	49.5	4.1	47.8	42.4	37.0	27.7	18.3	-
	62	52.7	3.6	51.5	50.3	49.1	39.7	30.2	20.8	49.2	4.1	48.1	48.0	47.8	38.1	28.3	18.6
	57	52.5	3.6	51.8	51.8	51.8	50.0	40.3	30.6	48.8	4.1	48.4	48.4	48.4	48.4	38.3	28.1

ZX05 (4.0 Ton) (Continued)

Air on Evaporator Coil		Temperature of Air on Condenser Coil															
		Total Capacity ¹ (MBh)	Total Input (kW) ²	Sensible Capacity (MBh)						Total Capacity ¹ (MBh)	Total Input (kW) ²	Sensible Capacity (MBh)					
				Return Dry Bulb (°F)								Return Dry Bulb (°F)					
				90	85	80	75	70	65			90	85	80	75	70	65
		115°F								125°F							
1000	77	46.5	4.6	27.3	22.1	16.8	-	-	-	42.4	5.1	26.6	21.2	15.9	-	-	-
	72	42.6	4.6	31.6	26.4	21.2	16.0	-	-	39.1	5.1	30.3	25.1	20.0	14.8	-	-
	67	38.8	4.5	35.9	30.8	25.7	20.4	15.1	-	35.9	5.0	34.0	29.0	24.1	18.9	13.6	-
	62	38.1	4.5	36.9	33.5	30.1	24.8	19.5	14.1	35.6	5.0	34.2	31.2	28.2	22.9	17.6	12.3
1200	77	46.7	4.7	29.9	23.0	16.1	-	-	-	42.8	5.2	29.2	22.1	15.0	-	-	-
	72	43.5	4.6	33.7	27.8	21.9	15.9	-	-	40.0	5.1	32.3	26.4	20.5	14.6	-	-
	67	40.2	4.5	37.6	32.6	27.6	21.5	15.4	-	37.2	5.1	35.4	30.7	26.1	20.0	13.9	-
	62	39.6	4.5	38.5	35.9	33.4	27.1	20.8	14.6	36.9	5.0	35.6	33.6	31.6	25.3	19.0	12.7
	57	39.1	4.5	39.1	39.1	39.1	32.7	26.3	19.8	36.6	5.0	35.9	35.9	35.9	30.6	24.1	17.6
1400	77	47.0	4.7	32.4	23.9	15.4	-	-	-	43.1	5.2	31.8	22.9	14.1	-	-	-
	72	44.3	4.6	35.9	29.2	22.5	15.8	-	-	40.8	5.2	34.3	27.7	21.0	14.4	-	-
	67	41.7	4.6	39.3	34.5	29.6	22.6	15.7	-	38.5	5.1	36.8	32.4	28.0	21.0	14.1	-
	62	41.1	4.6	40.0	38.3	36.7	29.4	22.2	15.0	38.2	5.1	37.1	36.0	35.0	27.7	20.4	13.0
	57	40.6	4.5	40.6	40.6	40.6	36.3	28.8	21.3	37.8	5.0	37.3	37.3	37.3	34.3	26.7	19.0
1600	77	47.2	4.7	34.9	24.8	14.7	-	-	-	43.5	5.3	34.4	23.8	13.1	-	-	-
	72	45.2	4.7	38.0	30.6	23.1	15.7	-	-	41.6	5.2	36.3	28.9	21.6	14.2	-	-
	67	43.1	4.6	41.1	36.3	31.5	23.8	16.0	-	39.8	5.2	38.3	34.1	30.0	22.1	14.3	-
	62	42.6	4.6	41.6	40.8	39.9	31.8	23.6	15.5	39.4	5.1	38.5	38.4	38.4	30.1	21.7	13.4
	57	42.2	4.5	42.2	42.2	42.2	39.8	31.3	22.7	39.1	5.0	38.7	38.7	38.7	38.0	29.2	20.4
1800	72	46.0	4.7	40.1	31.9	23.8	15.6	-	-	42.5	5.3	38.3	30.2	22.1	14.0	-	-
	67	44.5	4.7	42.8	38.1	33.5	24.9	16.2	-	41.1	5.2	39.7	35.8	31.9	23.2	14.5	-
	62	44.1	4.6	43.2	43.2	43.2	34.1	25.0	15.9	40.7	5.1	39.9	39.9	39.9	32.4	23.1	13.8
	57	43.7	4.6	43.6	43.6	43.6	43.4	33.8	24.2	40.3	5.1	40.1	40.1	40.1	40.1	31.7	21.8
2000	72	46.8	4.7	42.2	33.3	24.4	15.5	-	-	43.3	5.3	40.3	31.5	22.6	13.8	-	-
	67	46.0	4.7	44.5	40.0	35.5	26.0	16.5	-	42.5	5.3	41.2	37.5	33.9	24.3	14.7	-
	62	45.6	4.6	44.7	44.7	44.7	36.4	26.4	16.3	42.0	5.2	41.3	41.3	41.3	34.8	24.5	14.1
	57	45.2	4.6	45.0	45.0	45.0	45.0	36.3	25.7	41.5	5.1	41.5	41.5	41.5	34.3	23.2	

1. These capacities are gross ratings. For net capacity, deduct the supply air blower motor heat (MBh = 3.415 x kW). Refer to the appropriate Blower Performance Table for the kW of the supply air blower motor.
2. These ratings include the condenser fan motors (total 1 kW) and the compressor motors but not the supply air blower motor.

ZX06 (5.0 Ton)

Air on Evaporator Coil		Temperature of Air on Condenser Coil															
CFM	WB (°F)	Total Capacity ¹ (MBh)	Total Input (kW) ²	Sensible Capacity (MBh)						Total Capacity ¹ (MBh)	Total Input (kW) ²	Sensible Capacity (MBh)					
				Return Dry Bulb (°F)								Return Dry Bulb (°F)					
				90	85	80	75	70	65			90	85	80	75	70	65
75°F										85°F							
1250	77	78.6	3.8	36.6	30.5	24.4	-	-	-	74.8	4.2	34.9	28.8	22.7	-	-	-
	72	72.1	3.7	45.9	39.2	32.5	25.7	-	-	68.6	4.1	44.5	37.6	30.8	24.0	-	-
	67	65.6	3.6	55.2	47.8	40.5	33.3	26.5	-	62.4	4.1	54.0	46.4	38.9	31.7	24.7	-
	62	60.6	3.6	56.1	52.3	48.5	38.4	34.0	26.8	58.3	4.0	55.9	51.4	46.9	38.2	32.3	25.0
1500	77	80.3	3.8	41.7	33.7	25.6	-	-	-	75.9	4.2	40.4	32.0	23.7	-	-	-
	72	74.0	3.7	50.4	42.5	34.6	26.7	-	-	70.2	4.1	48.9	40.8	32.8	24.8	-	-
	67	67.8	3.7	59.1	51.3	43.6	35.3	27.4	-	64.5	4.1	57.4	49.6	41.9	33.6	25.5	-
	62	63.7	3.6	59.9	56.2	52.5	41.9	35.9	27.7	61.2	4.1	59.0	55.0	51.0	41.5	34.2	25.8
1750	77	81.9	3.8	46.8	36.8	26.8	-	-	-	76.9	4.2	45.8	35.2	24.7	-	-	-
	72	75.9	3.7	54.9	45.8	36.7	27.7	-	-	71.8	4.1	53.3	44.0	34.8	25.6	-	-
	67	70.0	3.7	63.0	54.8	46.7	37.3	28.2	-	66.6	4.1	60.8	52.9	44.9	35.5	26.2	-
	62	66.8	3.6	63.8	60.2	56.6	45.5	37.9	28.5	64.1	4.1	62.2	58.6	55.1	44.7	36.1	26.5
2000	77	83.6	3.8	52.0	40.0	28.0	-	-	-	77.9	4.2	51.2	38.4	25.6	-	-	-
	72	77.8	3.7	59.5	49.2	38.9	28.6	-	-	73.3	4.2	57.7	47.2	36.8	26.4	-	-
	67	72.1	3.7	67.0	58.4	49.8	39.3	29.1	-	68.7	4.1	64.2	56.1	48.0	37.4	26.9	-
	62	69.9	3.7	67.6	64.1	60.6	49.1	39.8	29.4	66.9	4.1	65.3	62.3	59.2	48.0	37.9	27.3
2250	72	79.8	3.7	64.0	52.5	41.0	29.6	-	-	74.9	4.2	62.1	50.5	38.8	27.2	-	-
	67	74.3	3.7	70.9	61.9	52.9	41.4	29.9	-	70.8	4.1	67.6	59.3	51.0	39.3	27.7	-
	62	73.0	3.7	71.4	68.1	64.7	52.6	41.8	30.3	69.8	4.1	68.5	65.9	63.2	51.2	39.8	28.1
	57	72.0	3.7	72.0	72.0	72.0	65.0	53.6	42.1	69.3	4.2	69.3	69.3	69.3	63.7	51.9	40.2
2500	72	81.7	3.7	68.5	55.9	43.2	30.5	-	-	76.5	4.2	66.5	53.7	40.8	28.0	-	-
	67	76.5	3.7	74.8	65.4	56.0	43.4	30.8	-	72.9	4.1	71.0	62.5	54.1	41.2	28.4	-
	62	76.2	3.7	75.3	72.0	68.7	56.2	43.7	31.2	72.7	4.2	71.7	69.5	67.3	54.5	41.7	28.9
	57	75.8	3.7	75.8	75.8	75.8	69.1	56.6	44.2	72.5	4.2	72.4	72.4	72.4	67.7	54.9	42.1
95°F										105°F							
1250	77	71.0	4.6	33.3	27.1	21.0	-	-	-	65.5	5.3	31.8	25.7	19.6	-	-	-
	72	65.2	4.5	43.0	36.1	29.1	22.2	-	-	60.7	5.2	41.3	34.3	27.4	20.4	-	-
	67	59.3	4.5	52.8	45.0	37.3	30.1	22.9	-	56.0	5.2	50.7	42.9	35.1	28.1	21.0	-
	62	56.0	4.5	55.6	50.5	45.4	38.0	30.6	23.2	53.5	5.1	52.8	47.9	42.9	35.7	28.6	21.4
1500	77	71.5	4.6	39.0	30.4	21.7	-	-	-	66.1	5.3	37.4	28.7	20.0	-	-	-
	72	66.4	4.6	47.3	39.2	31.0	22.8	-	-	61.9	5.3	45.3	37.2	29.0	20.9	-	-
	67	61.3	4.5	55.6	47.9	40.2	31.9	23.6	-	57.8	5.2	53.2	45.6	38.0	29.8	21.6	-
	62	58.7	4.5	58.1	53.8	49.5	41.0	32.4	23.9	55.8	5.2	55.0	51.0	47.1	38.7	30.3	22.0
1750	77	71.9	4.6	44.7	33.6	22.5	-	-	-	66.6	5.3	42.9	31.7	20.5	-	-	-
	72	67.6	4.6	51.6	42.2	32.9	23.5	-	-	63.1	5.3	49.3	40.0	30.7	21.4	-	-
	67	63.3	4.5	58.5	50.9	43.2	33.7	24.2	-	59.6	5.2	55.7	48.3	41.0	31.5	22.1	-
	62	61.3	4.5	60.6	57.1	53.6	43.9	34.2	24.6	58.1	5.2	57.2	54.2	51.3	41.7	32.1	22.5
2000	77	72.3	4.6	50.4	36.8	23.3	-	-	-	67.1	5.3	48.5	34.7	20.9	-	-	-
	72	68.8	4.6	55.9	45.3	34.7	24.1	-	-	64.3	5.3	53.3	42.9	32.4	21.9	-	-
	67	65.3	4.6	61.4	53.8	46.2	35.5	24.8	-	61.5	5.2	58.2	51.1	43.9	33.3	22.6	-
	62	64.0	4.6	63.1	60.4	57.7	46.9	36.0	25.2	60.4	5.3	59.4	57.4	55.5	44.6	33.8	23.0
2250	72	70.0	4.6	60.2	48.4	36.6	24.8	-	-	65.5	5.3	57.4	45.7	34.1	22.5	-	-
	67	67.3	4.6	64.2	56.7	49.2	37.3	25.4	-	63.3	5.3	60.7	53.8	46.9	35.0	23.2	-
	62	66.6	4.6	65.6	63.7	61.8	49.8	37.8	25.9	62.7	5.3	61.6	60.6	59.6	47.6	35.6	23.5
	57	66.5	4.6	66.5	66.5	66.5	62.3	50.3	38.2	62.5	5.3	62.5	62.5	62.5	60.2	47.9	35.7
2500	72	71.2	4.6	64.5	51.5	38.5	25.5	-	-	66.7	5.3	61.4	48.6	35.8	23.0	-	-
	67	69.3	4.6	67.1	59.6	52.1	39.1	26.0	-	65.1	5.3	63.1	56.5	49.8	36.8	23.7	-
	62	69.3	4.6	68.1	67.0	65.8	52.7	39.6	26.5	65.0	5.3	63.8	63.8	63.8	50.6	37.3	24.1
	57	69.2	4.7	69.1	69.1	69.1	66.4	53.2	40.1	64.9	5.4	64.5	64.5	64.5	64.4	50.9	37.4

ZX06 (5.0 Ton) (Continued)

Air on Evaporator Coil		Temperature of Air on Condenser Coil															
CFM	WB (°F)	Total Capacity ¹ (MBh)	Total Input (kW) ²	Sensible Capacity (MBh)						Total Capacity ¹ (MBh)	Total Input (kW) ²	Sensible Capacity (MBh)					
				Return Dry Bulb (°F)								Return Dry Bulb (°F)					
				90	85	80	75	70	65			90	85	80	75	70	65
				115°F						125°F							
1250	77	60.0	6.0	30.3	24.3	18.2	-	-	-	54.5	6.7	28.8	22.8	16.8	-	-	-
	72	56.3	5.9	39.5	32.5	25.6	18.6	-	-	51.9	6.7	37.7	30.8	23.8	16.8	-	-
	67	52.7	5.9	48.7	40.8	32.9	26.0	19.1	-	49.4	6.6	46.7	38.7	30.8	24.0	17.2	-
	62	51.0	5.8	50.1	45.2	40.3	33.4	26.5	19.6	48.5	6.5	47.3	42.5	37.7	31.1	24.5	17.8
1500	77	60.7	6.0	35.7	27.0	18.3	-	-	-	55.2	6.7	34.1	25.3	16.6	-	-	-
	72	57.5	6.0	43.3	35.2	27.1	19.0	-	-	53.0	6.6	41.2	33.2	25.1	17.1	-	-
	67	54.3	5.9	50.8	43.3	35.8	27.7	19.6	-	50.9	6.6	48.4	41.0	33.6	25.6	17.6	-
	62	53.0	5.9	52.0	48.3	44.6	36.4	28.2	20.0	50.1	6.5	48.9	45.5	42.1	34.1	26.1	18.1
	57	52.3	5.8	52.3	52.3	52.3	45.1	36.9	28.6	49.4	6.5	49.3	49.3	49.3	42.7	34.6	26.6
1750	77	61.3	6.0	41.1	29.8	18.4	-	-	-	56.0	6.7	39.3	27.8	16.4	-	-	-
	72	58.6	6.0	47.0	37.8	28.6	19.4	-	-	54.2	6.6	44.7	35.6	26.4	17.3	-	-
	67	56.0	5.9	52.9	45.8	38.7	29.4	20.0	-	52.3	6.6	50.1	43.3	36.5	27.2	17.9	-
	62	54.9	5.9	53.8	51.4	48.9	39.4	29.9	20.4	51.7	6.6	50.5	48.5	46.6	37.2	27.7	18.3
	57	54.4	5.9	54.4	54.4	54.4	49.4	39.8	30.1	51.1	6.6	50.8	50.8	50.8	47.1	37.5	28.0
2000	77	61.9	6.0	46.5	32.5	18.5	-	-	-	56.7	6.7	44.6	30.4	16.1	-	-	-
	72	59.8	6.0	50.8	40.4	30.1	19.7	-	-	55.3	6.6	48.2	38.0	27.8	17.5	-	-
	67	57.7	5.9	55.0	48.3	41.7	31.1	20.5	-	53.8	6.6	51.8	45.6	39.4	28.9	18.3	-
	62	56.9	5.9	55.7	54.5	53.2	42.4	31.6	20.8	53.4	6.6	52.1	51.5	51.0	40.2	29.4	18.6
	57	56.5	6.0	56.5	56.5	56.5	53.8	42.7	31.7	52.9	6.7	52.3	52.3	52.3	51.5	40.4	29.3
2250	72	60.9	6.0	54.5	43.1	31.6	20.1	-	-	56.4	6.6	51.7	40.4	29.1	17.8	-	-
	67	59.3	5.9	57.1	50.8	44.6	32.8	21.0	-	55.3	6.6	53.5	47.9	42.3	30.5	18.7	-
	62	58.9	6.0	57.6	57.6	57.5	45.4	33.3	21.2	55.0	6.7	53.7	53.7	53.7	43.2	31.0	18.8
	57	58.6	6.0	58.2	58.2	58.2	58.1	45.6	33.2	54.6	6.7	53.8	53.8	53.8	53.8	43.3	30.7
2500	72	62.1	6.0	58.3	45.7	33.1	20.5	-	-	57.5	6.6	55.2	42.8	30.4	18.0	-	-
	67	61.0	6.0	59.2	53.3	47.5	34.5	21.4	-	56.8	6.6	55.2	50.2	45.1	32.1	19.1	-
	62	60.8	6.0	59.5	59.5	59.5	48.4	35.0	21.6	56.6	6.7	55.3	55.3	55.3	46.3	32.7	19.1
	57	60.6	6.1	59.9	59.9	59.9	59.9	48.6	34.7	56.4	6.8	55.3	55.3	55.3	55.3	46.2	32.0

1. These capacities are gross ratings. For net capacity, deduct the supply air blower motor heat (MBh = 3.415 x kW). Refer to the appropriate Blower Performance Table for the kW of the supply air blower motor.
2. These ratings include the condenser fan motors (total 1 kW) and the compressor motors but not the supply air blower motor.

ZX07 (6.0 Ton)

Air on Evaporator Coil		Temperature of Air on Condenser Coil																	
CFM	WB (°F)	Total Capacity ¹ (MBh)	Total Input (kW) ²	Sensible Capacity (MBh)						Total Capacity ¹ (MBh)	Total Input (kW) ²	Sensible Capacity (MBh)							
				Return Dry Bulb (°F)								Return Dry Bulb (°F)							
				90	85	80	75	70	65			90	85	80	75	70	65		
75°F										85°F									
1500	77	93.5	4.1	47.1	39.4	31.7	-	-	-	88.3	4.7	44.4	36.8	29.1	-	-	-		
	72	84.1	4.0	56.4	48.0	39.6	31.3	-	-	79.7	4.6	54.6	46.1	37.6	29.2	-	-		
	67	74.7	4.0	65.6	56.6	47.6	39.2	31.4	-	71.1	4.5	64.8	55.5	46.1	37.6	29.3	-		
	62	72.1	4.0	66.9	61.2	55.5	44.6	40.0	32.2	69.3	4.5	66.2	60.4	54.6	44.7	38.0	29.6		
1800	77	94.0	4.1	51.7	41.5	31.3	-	-	-	88.8	4.7	49.9	39.4	28.8	-	-	-		
	72	86.2	4.1	61.1	51.3	41.5	31.7	-	-	81.7	4.6	59.3	49.4	39.4	29.5	-	-		
	67	78.4	4.0	70.5	61.1	51.7	41.7	32.1	-	74.7	4.5	68.8	59.4	50.1	39.9	29.9	-		
	62	76.2	4.0	71.6	66.8	62.0	49.6	42.2	32.4	73.1	4.5	70.1	65.4	60.8	49.2	40.2	30.0		
57	73.9	4.0	72.7	72.5	72.2	62.3	52.4	42.5	71.5	4.5	71.4	71.4	71.4	61.0	50.6	40.2			
2100	77	94.4	4.2	56.3	43.6	30.8	-	-	-	89.3	4.7	55.5	42.0	28.4	-	-	-		
	72	88.2	4.1	65.8	54.6	43.4	32.2	-	-	83.8	4.6	64.1	52.7	41.3	29.8	-	-		
	67	82.1	4.0	75.3	65.6	55.9	44.1	32.7	-	78.3	4.6	72.7	63.4	54.1	42.2	30.4	-		
	62	80.2	4.0	76.3	72.4	68.5	54.6	44.5	32.5	76.8	4.6	74.0	70.4	66.9	53.7	42.5	30.3		
57	78.2	4.0	77.3	77.3	77.3	68.7	56.3	43.9	75.4	4.6	75.2	75.2	75.2	67.1	54.6	42.0			
2400	77	94.8	4.2	60.9	45.6	30.4	-	-	-	89.8	4.7	61.1	44.6	28.1	-	-	-		
	72	90.3	4.1	70.5	57.9	45.2	32.6	-	-	85.8	4.6	68.9	56.0	43.1	30.1	-	-		
	67	85.8	4.1	80.1	70.1	60.1	46.6	33.4	-	81.8	4.6	76.7	67.4	58.0	44.5	31.0	-		
	62	84.2	4.1	81.0	78.0	75.0	59.6	46.8	32.6	80.5	4.6	77.9	75.4	73.0	58.3	44.8	30.6		
57	82.6	4.1	81.9	81.9	81.9	75.0	60.1	45.3	79.2	4.6	79.0	79.0	79.0	73.3	58.5	43.8			
2700	72	92.4	4.2	75.2	61.1	47.1	33.0	-	-	87.8	4.7	73.7	59.3	44.9	30.5	-	-		
	67	89.6	4.1	85.0	74.6	64.3	49.1	34.0	-	85.4	4.6	80.7	71.3	62.0	46.7	31.6	-		
	62	88.2	4.1	85.7	83.6	81.5	64.6	49.0	32.8	84.3	4.6	81.8	80.5	79.1	62.8	47.0	31.0		
	57	86.9	4.2	86.5	86.5	86.5	81.3	64.0	46.7	83.1	4.7	82.9	82.9	82.9	79.4	62.5	45.6		
3000	72	94.4	4.2	79.9	64.4	49.0	33.5	-	-	89.9	4.7	78.4	62.5	46.7	30.8	-	-		
	67	93.3	4.1	89.8	79.1	68.5	51.6	34.6	-	89.0	4.6	84.7	75.3	66.0	49.0	32.1	-		
	62	92.2	4.2	90.5	89.2	88.0	69.6	51.3	32.9	88.0	4.7	85.7	85.5	85.3	67.3	49.3	31.3		
	57	91.2	4.2	91.1	91.1	91.1	87.7	67.9	48.1	87.0	4.7	86.7	86.7	86.7	85.5	66.5	47.5		

95°F										105°F									
1500	77	83.1	5.2	41.6	34.1	26.5	-	-	-	76.0	6.0	44.7	36.0	27.3	-	-	-		
	72	75.3	5.1	52.7	44.2	35.6	27.1	-	-	69.9	5.9	52.9	44.0	35.0	26.0	-	-		
	67	67.5	5.0	63.9	54.3	44.7	36.0	27.2	-	63.8	5.7	61.2	51.9	42.7	34.1	25.5	-		
	62	66.5	5.0	65.4	59.6	53.8	44.9	36.0	27.0	63.2	5.7	62.2	56.3	50.4	42.1	33.8	25.6		
1800	77	83.7	5.2	48.2	37.2	26.3	-	-	-	77.1	6.0	46.8	35.6	24.5	-	-	-		
	72	77.3	5.1	57.6	47.5	37.4	27.3	-	-	72.0	5.9	55.3	45.3	35.4	25.5	-	-		
	67	70.9	5.0	67.0	57.7	48.5	38.1	27.7	-	66.9	5.8	63.8	55.1	46.3	36.1	25.8	-		
	62	70.0	5.0	68.5	64.0	59.5	48.9	38.2	27.6	66.2	5.8	64.8	61.0	57.3	46.7	36.1	25.5		
57	69.0	5.0	69.0	69.0	69.0	59.7	48.8	37.8	65.5	5.7	65.5	65.5	65.5	57.3	46.3	35.4			
2100	77	84.2	5.2	54.7	40.4	26.0	-	-	-	78.1	5.9	48.8	35.2	21.7	-	-	-		
	72	79.3	5.1	62.4	50.8	39.1	27.5	-	-	74.0	5.9	57.6	46.7	35.8	24.9	-	-		
	67	74.4	5.1	70.1	61.2	52.2	40.2	28.2	-	69.9	5.8	66.5	58.2	50.0	38.1	26.1	-		
	62	73.4	5.1	71.6	68.5	65.3	52.9	40.5	28.1	69.2	5.8	67.5	65.8	64.1	51.2	38.3	25.4		
57	72.5	5.1	72.5	72.5	72.5	65.6	52.8	40.1	68.5	5.8	68.5	68.5	68.5	64.4	50.4	36.5			
2400	77	84.7	5.2	61.3	43.5	25.8	-	-	-	79.2	5.9	50.8	34.8	18.8	-	-	-		
	72	81.3	5.2	67.3	54.1	40.9	27.7	-	-	76.1	5.9	60.0	48.1	36.2	24.4	-	-		
	67	77.8	5.1	73.3	64.6	56.0	42.3	28.6	-	73.0	5.9	69.1	61.4	53.6	40.0	26.5	-		
	62	76.9	5.1	74.7	72.9	71.0	56.9	42.8	28.6	72.2	5.9	70.2	70.2	70.2	55.7	40.5	25.2		
57	75.9	5.1	75.9	75.9	75.9	71.5	56.9	42.3	71.4	5.9	71.3	71.3	71.3	71.3	54.5	37.6			
2700	72	83.3	5.2	72.1	57.4	42.6	27.9	-	-	78.1	5.9	62.3	49.5	36.6	23.8	-	-		
	67	81.3	5.1	76.4	68.0	59.7	44.4	29.1	-	76.1	5.9	71.8	64.5	57.2	42.0	26.8	-		
	62	80.3	5.1	77.8	77.3	76.8	60.9	45.1	29.2	75.2	5.9	72.9	72.9	72.9	60.3	42.7	25.1		
	57	79.4	5.1	79.2	79.2	79.2	77.4	61.0	44.6	74.4	5.9	74.0	74.0	74.0	74.0	58.6	38.6		
3000	72	85.3	5.2	76.9	60.7	44.4	28.1	-	-	80.2	5.9	64.7	50.9	37.0	23.2	-	-		
	67	84.8	5.2	79.5	71.5	63.5	46.5	29.6	-	79.1	5.9	74.4	67.7	60.9	44.0	27.2	-		
	62	83.8	5.2	80.9	80.9	80.9	64.9	47.3	29.7	78.2	6.0	75.6	75.6	75.6	64.8	44.9	25.0		
	57	82.8	5.2	82.3	82.3	82.3	82.3	65.1	46.8	77.3	6.0	76.7	76.7	76.7	76.7	62.7	39.7		

ZX07 (6.0 Ton) (Continued)

Air on Evaporator Coil		Temperature of Air on Condenser Coil															
		Total Capacity ¹ (MBh)	Total Input (kW) ²	Sensible Capacity (MBh)						Total Capacity ¹ (MBh)	Total Input (kW) ²	Sensible Capacity (MBh)					
				Return Dry Bulb (°F)								Return Dry Bulb (°F)					
				90	85	80	75	70	65			90	85	80	75	70	65
		115°F								125°F							
1500	77	68.9	6.8	47.8	38.0	28.1	-	-	-	61.7	7.5	51.0	39.9	28.8	-	-	-
	72	64.5	6.6	53.1	43.8	34.4	25.0	-	-	59.1	7.4	53.3	43.5	33.7	24.0	-	-
	67	60.2	6.5	58.4	49.6	40.7	32.2	23.7	-	56.5	7.2	55.7	47.2	38.7	30.3	21.9	-
	62	59.9	6.4	58.9	52.9	47.0	39.4	31.7	24.1	56.5	7.1	55.6	49.6	43.6	36.6	29.6	22.6
1800	77	70.4	6.7	45.4	34.0	22.7	-	-	-	63.8	7.5	44.0	32.4	20.8	-	-	-
	72	66.6	6.6	53.0	43.2	33.4	23.7	-	-	61.3	7.4	50.7	41.1	31.5	21.9	-	-
	67	62.8	6.5	60.6	52.4	44.2	34.1	23.9	-	58.8	7.3	57.4	49.8	42.1	32.0	22.0	-
	62	62.4	6.5	61.1	58.1	55.0	44.4	33.9	23.3	58.6	7.2	57.5	55.1	52.7	42.2	31.7	21.2
	57	62.0	6.5	61.7	61.7	61.7	54.8	43.9	33.0	58.5	7.2	57.5	57.5	57.5	52.4	41.5	30.5
2100	77	72.0	6.7	42.9	30.1	17.3	-	-	-	65.9	7.5	36.9	24.9	12.9	-	-	-
	72	68.7	6.6	52.8	42.7	32.5	22.3	-	-	63.5	7.4	48.0	38.6	29.2	19.8	-	-
	67	65.5	6.6	62.8	55.3	47.7	35.9	24.1	-	61.0	7.3	59.1	52.3	45.5	33.8	22.1	-
	62	65.0	6.6	63.4	63.2	63.0	49.5	36.0	22.6	60.7	7.3	59.3	59.3	59.3	47.8	33.8	19.8
	57	64.5	6.6	64.0	64.0	64.0	63.1	48.0	32.9	60.5	7.3	59.5	59.5	59.5	59.5	45.6	29.3
2400	77	73.6	6.7	40.4	26.1	11.9	-	-	-	68.0	7.4	29.9	17.4	4.9	-	-	-
	72	70.9	6.6	52.7	42.1	31.6	21.0	-	-	65.6	7.4	45.4	36.2	26.9	17.7	-	-
	67	68.1	6.6	65.0	58.1	51.3	37.8	24.3	-	63.3	7.4	60.9	54.9	48.9	35.5	22.2	-
	62	67.5	6.6	65.7	65.7	65.7	54.6	38.2	21.8	62.8	7.4	61.2	61.2	61.2	53.4	35.9	18.4
	57	66.9	6.6	66.4	66.4	66.4	66.4	52.1	32.8	62.4	7.4	61.4	61.4	61.4	61.4	49.7	28.0
2700	72	73.0	6.7	52.5	41.6	30.6	19.7	-	-	67.8	7.4	42.8	33.7	24.6	15.6	-	-
	67	70.8	6.7	67.2	61.0	54.8	39.7	24.5	-	65.5	7.4	62.6	57.4	52.3	37.3	22.3	-
	62	70.1	6.7	67.9	67.9	67.9	59.6	40.4	21.1	65.0	7.5	63.0	63.0	63.0	59.0	38.0	17.0
	57	69.4	6.7	68.7	68.7	68.7	68.7	56.2	32.7	64.4	7.5	63.4	63.4	63.4	63.4	53.8	26.8
3000	72	75.1	6.7	52.4	41.0	29.7	18.4	-	-	70.0	7.4	40.1	31.2	22.4	13.5	-	-
	67	73.5	6.7	69.4	63.8	58.3	41.5	24.8	-	67.8	7.5	64.3	60.0	55.7	39.0	22.4	-
	62	72.6	6.8	70.2	70.2	70.2	64.7	42.5	20.3	67.1	7.6	64.8	64.8	64.8	64.6	40.1	15.6
	57	71.8	6.8	71.0	71.0	71.0	71.0	60.3	32.6	66.3	7.7	65.4	65.4	65.4	65.4	57.9	25.6

1. These capacities are gross ratings. For net capacity, deduct the supply air blower motor heat (MBh = 3.415 x kW). Refer to the appropriate Blower Performance Table for the kW of the supply air blower motor.
2. These ratings include the condenser fan motors (total 1 kW) and the compressor motors but not the supply air blower motor.

ZX08 (7.5 Ton)

Air on Evaporator Coil		Temperature of Air on Condenser Coil															
CFM	WB (°F)	Total Capacity ¹ (MBh)	Total Input (kW) ²	Sensible Capacity (MBh)						Total Capacity ¹ (MBh)	Total Input (kW) ²	Sensible Capacity (MBh)					
				Return Dry Bulb (°F)								Return Dry Bulb (°F)					
				90	85	80	75	70	65			90	85	80	75	70	65
				75°F						85°F							
1875	77	105.6	5.4	55.0	45.4	35.9	-	-	-	100.3	6.1	53.6	44.2	34.8	-	-	-
	72	100.2	5.3	67.3	57.4	47.5	37.6	-	-	97.4	6.0	66.0	55.9	45.8	35.7	-	-
	67	94.9	5.2	79.7	69.4	59.1	48.1	38.4	-	89.8	5.8	78.3	67.5	56.7	46.1	36.1	-
	62	91.4	5.2	88.9	79.7	70.6	57.0	49.1	38.4	87.6	5.8	84.9	76.3	67.7	55.7	46.6	36.0
2250	77	107.2	5.4	59.7	47.7	35.7	-	-	-	105.8	6.1	59.2	47.0	34.9	-	-	-
	72	102.3	5.3	72.2	60.8	49.3	37.9	-	-	99.3	6.0	71.1	59.5	47.9	36.3	-	-
	67	97.4	5.2	84.8	73.9	62.9	50.6	39.2	-	92.8	5.9	82.9	71.9	60.8	48.7	37.0	-
	62	94.5	5.2	92.1	84.3	76.5	62.0	51.9	39.6	90.8	5.9	88.3	81.1	73.8	60.5	49.4	37.1
2625	77	108.9	5.5	64.5	50.0	35.5	-	-	-	106.7	6.1	64.8	49.9	35.0	-	-	-
	72	104.4	5.4	77.2	64.2	51.2	38.2	-	-	101.2	6.0	76.2	63.1	50.0	36.9	-	-
	67	100.0	5.3	89.8	78.3	66.8	53.0	40.0	-	95.8	5.9	87.6	76.3	64.9	51.3	38.0	-
	62	97.6	5.3	95.3	88.9	82.4	66.9	54.7	40.9	94.0	5.9	91.7	85.8	79.9	65.2	52.2	38.3
3000	77	110.5	5.5	69.3	52.3	35.4	-	-	-	107.6	6.2	70.3	52.7	35.1	-	-	-
	72	106.5	5.4	82.1	67.5	53.0	38.5	-	-	103.1	6.1	81.3	66.7	52.1	37.5	-	-
	67	102.5	5.3	94.9	82.8	70.7	55.5	40.7	-	98.7	6.0	92.2	80.6	69.0	53.9	38.9	-
	62	100.7	5.3	98.6	93.5	88.3	71.8	57.5	42.1	97.3	6.0	95.1	90.5	86.0	69.9	55.0	39.4
3375	77	108.6	5.5	87.0	70.9	54.9	38.8	-	-	105.1	6.1	86.4	70.3	54.2	38.1	-	-
	72	105.1	5.3	99.9	87.2	74.6	57.9	41.5	-	101.7	6.0	96.8	85.0	73.1	56.4	39.9	-
	67	103.8	5.4	101.8	98.0	94.2	76.7	60.3	43.4	100.5	6.1	98.4	95.3	92.1	74.7	57.8	40.6
	62	102.7	5.4	102.2	102.2	102.2	96.5	79.1	61.7	99.4	6.1	99.3	99.3	99.3	93.4	75.7	57.9
3750	77	110.7	5.5	91.9	74.3	56.7	39.1	-	-	107.0	6.1	91.4	73.9	56.3	38.7	-	-
	72	107.7	5.4	105.0	91.7	78.4	60.4	42.3	-	104.7	6.1	101.4	89.3	77.3	59.0	40.8	-
	67	106.9	5.5	105.1	102.6	100.1	81.6	63.1	44.6	103.7	6.1	101.8	100.0	98.2	79.4	60.6	41.7
	62	106.1	5.5	105.2	105.2	105.2	102.9	83.9	65.0	102.8	6.2	102.2	102.2	102.2	99.8	80.3	60.9
				95°F						105°F							
1875	77	95.0	6.8	52.3	43.0	33.7	-	-	-	90.0	7.6	50.8	41.2	31.6	-	-	-
	72	94.5	6.6	64.6	54.3	44.0	33.8	-	-	87.7	7.5	62.0	51.8	41.5	31.2	-	-
	67	84.8	6.5	76.9	65.7	54.4	44.1	33.7	-	79.2	7.4	73.3	62.3	51.4	41.1	30.8	-
	62	83.8	6.5	81.0	72.9	64.8	54.4	44.0	33.6	78.4	7.4	76.1	68.7	61.2	51.0	40.7	30.5
2250	77	104.3	6.8	58.6	46.3	34.1	-	-	-	96.5	7.6	57.2	44.4	31.7	-	-	-
	72	96.2	6.7	69.9	58.1	46.4	34.7	-	-	89.5	7.5	67.1	55.4	43.6	31.9	-	-
	67	88.2	6.5	81.1	69.9	58.7	46.8	34.9	-	82.4	7.4	77.1	66.4	55.6	43.7	31.8	-
	62	87.1	6.5	84.5	77.8	71.1	58.9	46.8	34.7	81.6	7.5	79.5	73.6	67.6	55.6	43.5	31.4
2625	77	104.5	6.8	65.0	49.7	34.4	-	-	-	96.9	7.7	63.6	47.6	31.7	-	-	-
	72	98.0	6.7	75.2	62.0	48.8	35.5	-	-	91.3	7.6	72.2	59.0	45.8	32.6	-	-
	67	91.5	6.6	85.3	74.2	63.1	49.5	36.0	-	85.7	7.5	80.9	70.4	59.9	46.3	32.8	-
	62	90.5	6.6	88.0	82.7	77.4	63.5	49.6	35.7	84.8	7.5	82.9	78.4	74.0	60.1	46.2	32.4
3000	77	104.6	6.8	71.4	53.1	34.8	-	-	-	97.3	7.7	70.0	50.9	31.8	-	-	-
	72	99.8	6.7	80.4	65.8	51.1	36.4	-	-	93.1	7.6	77.4	62.7	48.0	33.3	-	-
	67	94.9	6.6	89.5	78.5	67.4	52.2	37.1	-	89.0	7.5	84.8	74.5	64.2	49.0	33.8	-
	62	93.8	6.7	91.5	87.6	83.7	68.1	52.4	36.7	88.0	7.6	86.3	83.3	80.4	64.7	49.0	33.3
3375	77	101.5	6.8	85.7	69.6	53.5	37.3	-	-	95.0	7.7	82.5	66.3	50.1	34.0	-	-
	72	98.3	6.7	93.7	82.7	71.7	55.0	38.2	-	92.3	7.6	88.6	78.5	68.4	51.6	34.8	-
	67	97.2	6.7	95.0	92.5	90.0	72.6	55.2	37.8	91.2	7.6	89.7	88.2	86.7	69.2	51.8	34.3
	62	96.1	6.7	96.1	96.1	90.3	72.2	54.2	-	90.5	7.7	90.5	90.5	90.5	86.9	68.7	50.6
3750	77	103.3	6.8	91.0	73.4	55.8	38.2	-	-	96.8	7.7	87.6	69.9	52.3	34.7	-	-
	72	101.7	6.7	97.9	87.0	76.1	57.7	39.3	-	95.6	7.7	92.4	82.6	72.7	54.2	35.8	-
	67	100.6	6.8	98.5	97.4	96.3	77.2	58.0	38.8	94.5	7.7	93.1	93.1	93.1	73.8	54.5	35.2
	62	99.4	6.8	99.2	99.2	99.2	96.7	76.7	56.8	93.7	7.7	93.7	93.7	93.7	93.4	73.3	53.1

ZX08 (7.5 Ton) (Continued)

Air on Evaporator Coil		Temperature of Air on Condenser Coil															
		Total Capacity ¹ (MBh)	Total Input (kW) ²	Sensible Capacity (MBh)						Total Capacity ¹ (MBh)	Total Input (kW) ²	Sensible Capacity (MBh)					
				Return Dry Bulb (°F)								Return Dry Bulb (°F)					
				90	85	80	75	70	65			90	85	80	75	70	65
		115°F								125°F							
1875	77	85.1	8.5	49.4	39.4	29.5	-	-	-	80.1	9.4	47.9	37.6	27.4	-	-	-
	72	80.8	8.4	59.5	49.2	38.9	28.6	-	-	74.0	9.3	56.9	46.6	36.3	26.0	-	-
	67	73.5	8.3	69.6	59.0	48.3	38.1	27.9	-	67.9	9.2	66.0	55.6	45.3	35.1	25.0	-
	62	73.0	8.3	71.2	64.5	57.7	47.6	37.5	27.4	67.7	9.2	66.3	60.2	54.2	44.2	34.2	24.2
2250	77	88.7	8.5	55.7	42.5	29.2	-	-	-	80.9	9.4	54.3	40.6	26.8	-	-	-
	72	82.7	8.4	64.4	52.6	40.9	29.1	-	-	76.0	9.3	61.7	49.9	38.1	26.3	-	-
	67	76.7	8.3	73.1	62.8	52.5	40.6	28.8	-	71.0	9.2	69.1	59.2	49.4	37.6	25.7	-
	62	76.1	8.4	74.5	69.3	64.1	52.2	40.2	28.2	70.6	9.3	69.5	65.1	60.7	48.8	36.9	25.0
	57	75.5	8.4	75.5	75.5	75.5	63.7	51.6	39.5	70.2	9.3	69.8	69.8	69.8	60.0	48.0	36.1
2625	77	89.3	8.5	62.1	45.6	29.0	-	-	-	81.7	9.4	60.7	43.5	26.3	-	-	-
	72	84.6	8.5	69.3	56.1	42.9	29.6	-	-	77.9	9.4	66.4	53.2	39.9	26.7	-	-
	67	79.9	8.4	76.5	66.6	56.7	43.2	29.6	-	74.1	9.3	72.2	62.8	53.5	40.0	26.5	-
	62	79.2	8.4	77.7	74.2	70.6	56.7	42.9	29.1	73.5	9.3	72.6	69.9	67.1	53.3	39.5	25.7
	57	78.6	8.5	78.6	78.6	78.6	70.3	56.2	42.0	73.2	9.4	73.1	73.1	73.1	66.7	52.6	38.5
3000	77	89.9	8.5	68.5	48.7	28.8	-	-	-	82.6	9.4	67.1	46.4	25.8	-	-	-
	72	86.5	8.5	74.3	59.6	44.8	30.1	-	-	79.9	9.4	71.2	56.4	41.7	27.0	-	-
	67	83.1	8.5	80.0	70.5	60.9	45.7	30.5	-	77.2	9.4	75.2	66.5	57.7	42.4	27.2	-
	62	82.2	8.5	81.0	79.0	77.0	61.3	45.6	29.9	76.4	9.4	75.8	74.7	73.6	57.9	42.2	26.5
	57	81.7	8.5	81.7	81.7	81.7	76.9	60.7	44.5	76.2	9.5	76.2	76.2	76.2	73.4	57.2	41.0
3375	72	88.4	8.5	79.2	63.0	46.8	30.6	-	-	81.8	9.4	75.9	59.7	43.5	27.3	-	-
	67	86.3	8.5	83.5	74.3	65.1	48.3	31.4	-	80.3	9.5	78.3	70.1	61.8	44.9	28.0	-
	62	85.3	8.6	84.3	83.9	83.4	65.9	48.3	30.8	79.3	9.5	78.9	78.9	78.9	62.5	44.9	27.3
	57	84.8	8.6	84.8	84.8	84.8	83.5	65.2	47.0	79.2	9.5	79.2	79.2	79.2	79.2	61.8	43.4
3750	72	90.3	8.6	84.1	66.5	48.8	31.1	-	-	83.8	9.5	80.7	63.0	45.3	27.6	-	-
	67	89.5	8.6	86.9	78.1	69.3	50.8	32.3	-	83.3	9.5	81.4	73.7	65.9	47.3	28.7	-
	62	88.3	8.6	87.6	87.6	87.6	70.4	51.0	31.6	82.2	9.6	82.1	82.1	82.1	67.1	47.5	28.0
	57	87.9	8.7	87.9	87.9	87.9	87.9	69.8	49.5	82.2	9.6	82.2	82.2	82.2	82.2	66.3	45.9

1. These capacities are gross ratings. For net capacity, deduct the supply air blower motor heat (MBh = 3.415 x kW). Refer to the appropriate Blower Performance Table for the kW of the supply air blower motor.
2. These ratings include the condenser fan motors (total 1 kW) and the compressor motors but not the supply air blower motor.

ZX09 (8.5 Ton)

Air on Evaporator Coil		Temperature of Air on Condenser Coil															
CFM	WB (°F)	Total Capacity ¹ (MBh)	Total Input (kW) ²	Sensible Capacity (MBh)						Total Capacity ¹ (MBh)	Total Input (kW) ²	Sensible Capacity (MBh)					
				Return Dry Bulb (°F)								Return Dry Bulb (°F)					
				90	85	80	75	70	65			90	85	80	75	70	65
		75°F							85°F								
2125	77	126.8	6.3	67.0	53.9	40.8	-	-	-	121.9	7.0	65.6	53.5	41.3	-	-	-
	72	118.4	6.2	80.7	68.2	55.7	43.3	-	-	113.1	6.9	78.8	66.5	54.3	42.0	-	-
	67	109.9	6.1	94.4	82.5	70.7	56.6	44.6	-	104.2	6.8	91.9	79.6	67.3	54.3	42.4	-
	62	104.0	6.0	103.0	94.3	85.6	67.8	58.4	44.7	97.7	6.7	97.3	88.7	80.2	65.6	55.0	42.4
2550	77	126.8	6.4	71.8	56.6	41.4	-	-	-	121.5	7.1	70.8	55.9	41.1	-	-	-
	72	119.2	6.2	85.4	71.5	57.6	43.7	-	-	113.9	7.0	83.5	69.8	56.1	42.4	-	-
	67	111.7	6.1	98.9	86.4	73.8	58.6	45.2	-	106.4	6.9	96.3	83.7	71.2	56.8	43.3	-
	62	106.9	6.0	106.1	98.0	90.0	72.0	60.6	45.9	101.1	6.8	100.7	93.5	86.2	70.4	57.9	43.7
2975	77	126.7	6.4	76.6	59.3	42.0	-	-	-	121.1	7.1	75.9	58.4	40.8	-	-	-
	72	120.1	6.3	90.0	74.7	59.4	44.1	-	-	114.8	7.0	88.3	73.1	58.0	42.8	-	-
	67	113.4	6.2	103.5	90.2	76.9	60.7	45.9	-	108.5	6.9	100.6	87.9	75.1	59.3	44.2	-
	62	109.8	6.1	109.2	101.8	94.4	76.1	62.9	47.1	104.6	6.8	104.2	98.2	92.3	75.2	60.7	44.9
3400	77	126.7	6.5	81.3	61.9	42.5	-	-	-	120.6	7.2	81.1	60.8	40.6	-	-	-
	72	120.9	6.3	94.7	78.0	61.3	44.6	-	-	115.6	7.1	93.0	76.4	59.8	43.2	-	-
	67	115.1	6.2	108.0	94.0	80.0	62.8	46.5	-	110.6	7.0	104.9	92.0	79.0	61.8	45.0	-
	62	112.7	6.2	112.3	105.5	98.7	80.3	65.1	48.4	108.0	6.9	107.6	102.9	98.3	80.1	63.5	46.2
3825	72	121.7	6.4	99.3	81.2	63.1	45.0	-	-	116.5	7.1	97.8	79.7	61.6	43.6	-	-
	67	116.8	6.2	112.5	97.8	83.1	64.9	47.2	-	112.8	7.0	109.3	96.1	83.0	64.3	45.9	-
	62	115.6	6.2	115.4	109.2	103.1	84.4	67.4	49.6	111.4	7.0	111.1	107.7	104.3	84.9	66.4	47.4
	57	115.4	6.2	115.4	115.4	105.4	87.6	69.9	111.3	7.0	111.3	111.3	111.3	106.2	86.8	67.4	-
4250	72	122.6	6.4	104.0	84.5	65.0	45.5	-	-	117.4	7.2	102.5	83.0	63.5	43.9	-	-
	67	118.5	6.3	117.0	101.6	86.2	67.0	47.8	-	114.9	7.1	113.6	100.3	86.9	66.8	46.8	-
	62	118.5	6.3	118.5	113.0	107.5	88.6	69.7	50.8	114.8	7.1	114.5	112.4	110.3	89.7	69.2	48.6
	57	118.5	6.3	118.5	118.5	118.5	110.1	91.5	72.9	114.8	7.1	114.8	114.8	114.8	112.7	91.6	70.5
		95°F							105°F								
2125	77	117.0	7.7	64.2	53.0	41.8	-	-	-	108.3	8.8	63.8	51.9	39.9	-	-	-
	72	107.8	7.7	76.8	64.8	52.8	40.8	-	-	100.1	8.7	74.7	62.6	50.5	38.3	-	-
	67	98.5	7.6	89.4	76.6	63.8	52.0	40.3	-	92.0	8.6	85.6	73.3	61.0	49.2	37.3	-
	62	91.4	7.5	91.4	83.2	74.8	63.3	51.7	40.2	87.1	8.5	87.1	79.4	71.5	60.0	48.5	36.9
2550	77	116.2	7.8	69.8	55.3	40.7	-	-	-	109.4	8.8	68.6	53.4	38.2	-	-	-
	72	108.6	7.7	81.7	68.2	54.7	41.1	-	-	102.1	8.7	78.9	65.4	51.9	38.4	-	-
	67	101.1	7.6	93.6	81.1	68.6	55.0	41.4	-	94.8	8.6	89.1	77.4	65.6	52.0	38.3	-
	62	95.4	7.5	95.4	88.9	82.5	68.8	55.1	41.4	90.9	8.5	90.6	85.0	79.4	65.6	51.7	37.9
2975	77	115.4	7.8	75.3	57.5	39.6	-	-	-	110.6	8.8	73.4	54.9	36.4	-	-	-
	72	109.5	7.7	86.6	71.5	56.5	41.5	-	-	104.1	8.8	83.1	68.2	53.3	38.5	-	-
	67	103.6	7.7	97.8	85.5	73.3	57.9	42.5	-	97.6	8.7	92.7	81.5	70.3	54.8	39.3	-
	62	99.3	7.6	99.2	94.7	90.2	74.3	58.5	42.7	94.5	8.6	93.9	90.6	87.2	71.1	55.0	38.9
3400	77	114.6	7.9	80.9	59.7	38.6	-	-	-	111.7	8.9	78.2	56.4	34.6	-	-	-
	72	110.4	7.8	91.4	74.9	58.3	41.8	-	-	106.1	8.8	87.2	71.0	54.8	38.6	-	-
	67	106.2	7.7	101.9	90.0	78.1	60.8	43.6	-	100.4	8.7	96.3	85.6	74.9	57.6	40.3	-
	62	103.3	7.7	103.0	100.4	97.8	79.9	61.9	44.0	98.1	8.7	97.2	96.2	95.1	76.7	58.3	39.9
3825	72	111.2	7.8	96.3	78.2	60.1	42.1	-	-	108.0	8.8	91.4	73.8	56.2	38.6	-	-
	67	108.7	7.8	106.1	94.5	82.8	63.7	44.7	-	103.3	8.8	99.8	89.7	79.6	60.5	41.3	-
	62	107.2	7.7	106.7	106.1	105.5	85.4	65.3	45.2	101.7	8.8	100.5	100.5	100.5	82.3	61.6	40.9
	57	107.2	7.7	107.2	107.2	107.1	86.0	64.8	101.2	101.2	8.8	101.2	101.2	101.2	101.2	81.8	59.6
4250	72	112.1	7.9	101.1	81.6	62.0	42.4	-	-	110.0	8.9	95.6	76.6	57.7	38.7	-	-
	67	111.3	7.8	110.2	98.9	87.6	66.7	45.8	-	106.1	8.9	103.4	93.8	84.2	63.3	42.3	-
	62	111.2	7.8	110.5	110.5	110.5	90.9	68.7	46.5	105.4	8.9	103.8	103.8	103.8	87.8	64.9	41.9
	57	111.1	7.8	110.8	110.8	110.8	110.8	91.6	68.1	104.6	8.9	104.3	104.3	104.3	104.3	87.4	62.4

ZX09 (8.5 Ton) (Continued)

Air on Evaporator Coil		Temperature of Air on Condenser Coil															
		Total Capacity ¹ (MBh)	Total Input (kW) ²	Sensible Capacity (MBh)						Total Capacity ¹ (MBh)	Total Input (kW) ²	Sensible Capacity (MBh)					
				Return Dry Bulb (°F)								Return Dry Bulb (°F)					
				90	85	80	75	70	65			90	85	80	75	70	65
		115°F								125°F							
2125	77	99.6	9.8	63.4	50.7	38.0	-	-	-	91.0	10.8	63.0	49.6	36.1	-	-	-
	72	92.5	9.6	72.5	60.3	48.1	35.9	-	-	84.9	10.6	70.4	58.1	45.7	33.4	-	-
	67	85.4	9.5	81.7	69.9	58.2	46.3	34.4	-	78.9	10.5	77.8	66.6	55.3	43.4	31.5	-
	62	82.9	9.5	82.9	75.6	68.2	56.7	45.2	33.7	78.6	10.5	78.6	71.9	65.0	53.4	41.9	30.4
2550	77	102.7	9.8	67.4	51.5	35.6	-	-	-	95.9	10.8	66.3	49.6	33.0	-	-	-
	72	95.6	9.7	76.1	62.6	49.2	35.7	-	-	89.1	10.7	73.2	59.8	46.4	33.0	-	-
	67	88.5	9.6	84.7	73.7	62.7	49.0	35.3	-	82.2	10.6	80.2	70.0	59.8	46.0	32.3	-
	62	86.5	9.6	85.9	81.1	76.3	62.3	48.3	34.4	82.0	10.6	81.1	77.2	73.2	59.1	45.0	30.8
	57	86.3	9.5	86.3	86.3	86.3	75.6	61.4	47.2	81.8	10.6	81.8	81.8	81.8	72.1	57.7	43.2
2975	77	105.7	9.8	71.5	52.3	33.1	-	-	-	100.9	10.9	69.6	49.7	29.9	-	-	-
	72	98.7	9.8	79.6	64.9	50.2	35.5	-	-	93.3	10.8	76.1	61.6	47.1	32.6	-	-
	67	91.6	9.7	87.6	77.5	67.3	51.7	36.2	-	85.6	10.7	82.6	73.4	64.3	48.6	33.0	-
	62	89.7	9.7	88.7	86.5	84.3	67.9	51.5	35.1	84.9	10.7	83.5	82.4	81.4	64.7	48.0	31.3
	57	89.2	9.7	89.2	89.2	89.2	84.1	66.8	49.6	84.2	10.7	84.2	84.2	84.2	80.8	63.0	45.2
3400	77	108.8	9.9	75.5	53.1	30.7	-	-	-	105.9	10.9	72.8	49.8	26.8	-	-	-
	72	101.8	9.8	83.1	67.2	51.3	35.4	-	-	97.4	10.8	78.9	63.3	47.7	32.2	-	-
	67	94.7	9.8	90.6	81.2	71.8	54.4	37.1	-	89.0	10.8	84.9	76.8	68.7	51.3	33.8	-
	62	93.0	9.8	91.5	91.5	91.5	73.5	54.7	35.8	87.8	10.8	85.8	85.8	85.8	70.4	51.1	31.7
	57	92.2	9.8	92.2	92.2	92.2	92.2	72.3	52.0	86.7	10.8	86.6	86.6	86.6	86.6	68.3	47.1
3825	72	104.8	9.9	86.6	69.4	52.3	35.2	-	-	101.6	10.9	81.7	65.1	48.4	31.7	-	-
	67	97.8	9.8	93.6	85.0	76.4	57.2	37.9	-	92.4	10.9	87.3	80.2	73.2	53.9	34.6	-
	62	96.2	9.9	94.3	94.3	94.3	79.1	57.8	36.5	90.8	10.9	88.1	88.1	88.1	76.0	54.1	32.2
	57	95.1	9.9	95.1	95.1	95.1	95.1	77.7	54.3	89.1	11.0	89.0	89.0	89.0	89.0	73.6	49.1
4250	72	107.9	9.9	90.1	71.7	53.4	35.0	-	-	105.8	10.9	84.6	66.8	49.1	31.3	-	-
	67	100.9	9.9	96.5	88.7	80.9	59.9	38.8	-	95.8	11.0	89.7	83.7	77.6	56.5	35.4	-
	62	99.5	10.0	97.2	97.2	97.2	84.7	61.0	37.3	93.7	11.0	90.5	90.5	90.5	81.6	57.2	32.7
	57	98.1	10.0	97.8	97.8	97.8	97.8	83.2	56.7	91.6	11.1	91.3	91.3	91.3	91.3	78.9	51.1

1. These capacities are gross ratings. For net capacity, deduct the supply air blower motor heat (MBh = 3.415 x kW). Refer to the appropriate Blower Performance Table for the kW of the supply air blower motor.
2. These ratings include the condenser fan motors (total 1 kW) and the compressor motors but not the supply air blower motor.

ZX12 (10 Ton)

Air on Evaporator Coil		Temperature of Air on Condenser Coil																		
CFM	WB (°F)	Total Capacity ¹ (MBh)	Total Input (kW) ²	Sensible Capacity (MBh)										Total Capacity ¹ (MBh)	Total Input (kW) ²	Sensible Capacity (MBh)				
				Return Dry Bulb (°F)					Return Dry Bulb (°F)							Return Dry Bulb (°F)				
				90	85	80	75	70	65	90	85	80	75			70	65			
		75°F										85°F								
2500	77	154.9	7.6	76.9	65.4	53.8	-	-	-	145.4	8.9	73.5	62.1	50.6	-	-	-			
	72	142.2	7.3	94.0	80.5	67.0	53.5	-	-	133.7	8.5	90.5	77.2	63.8	50.4	-	-			
	67	129.5	7.1	111.0	95.5	80.1	66.6	53.2	-	122.1	8.1	107.5	92.2	76.9	63.5	50.1	-			
	62	124.9	7.0	120.5	106.9	93.3	76.9	66.5	53.1	118.2	8.0	115.9	103.0	90.1	75.2	63.2	49.8			
3000	77	156.2	7.6	84.5	68.6	52.7	-	-	-	149.4	8.5	82.5	66.3	50.2	-	-	-			
	72	145.1	7.4	101.3	85.4	69.5	53.6	-	-	138.4	8.3	98.6	82.6	66.7	50.8	-	-			
	67	134.1	7.2	118.1	102.2	86.3	70.1	54.1	-	127.4	8.2	114.6	98.9	83.2	67.1	51.1	-			
	62	130.3	7.1	126.1	114.6	103.0	84.5	70.6	54.3	124.1	8.1	121.5	110.7	99.8	82.4	67.3	51.0			
3500	77	157.6	7.6	92.1	71.9	51.6	-	-	-	153.3	8.1	91.6	70.6	49.7	-	-	-			
	72	148.1	7.5	108.7	90.3	72.0	53.7	-	-	143.0	8.2	106.6	88.1	69.6	51.1	-	-			
	67	138.6	7.3	125.2	108.8	92.4	73.7	55.0	-	132.7	8.2	121.6	105.6	89.5	70.7	52.0	-			
	62	135.8	7.2	131.8	122.3	112.8	92.0	74.7	55.6	130.0	8.1	127.2	118.3	109.5	89.5	71.4	52.3			
4000	77	158.9	7.7	99.7	75.1	50.5	-	-	-	157.2	7.7	100.6	74.9	49.2	-	-	-			
	72	151.0	7.5	116.0	95.3	74.5	53.8	-	-	147.7	8.0	114.6	93.6	72.5	51.4	-	-			
	67	143.2	7.4	132.4	115.5	98.6	77.2	55.9	-	138.1	8.3	128.7	112.2	95.8	74.3	52.9	-			
	62	141.2	7.3	137.5	130.1	122.6	99.5	78.8	56.8	135.9	8.2	132.9	126.0	119.1	96.7	75.4	53.5			
4500	72	154.0	7.6	123.4	100.2	77.1	53.9	-	-	152.3	7.8	122.7	99.1	75.4	51.8	-	-			
	67	147.7	7.4	139.5	122.1	104.7	80.8	56.8	-	143.4	8.3	135.7	118.9	102.1	77.9	53.8	-			
	62	146.7	7.4	143.1	137.8	132.4	107.1	82.9	58.1	141.8	8.3	138.5	133.7	128.8	103.8	79.5	54.8			
	57	145.7	7.4	145.1	145.1	145.1	134.5	108.9	83.3	140.4	8.3	140.4	140.4	140.4	130.3	105.1	79.9			
5000	72	156.9	7.6	130.7	105.2	79.6	54.0	-	-	156.9	7.6	130.7	104.5	78.3	52.1	-	-			
	67	152.3	7.5	146.7	128.8	110.9	84.3	57.7	-	148.7	8.4	142.8	125.6	108.4	81.6	54.7	-			
	62	152.2	7.5	148.8	145.5	142.2	114.6	86.9	59.3	147.7	8.4	144.2	141.3	138.5	111.0	83.5	56.0			
	57	152.0	7.5	150.9	150.9	150.9	144.9	116.2	87.5	146.6	8.5	145.6	145.6	140.4	112.3	84.2				
		95°F										105°F								
2500	77	135.9	10.3	70.0	58.7	47.4	-	-	-	125.3	11.2	67.5	55.9	44.3	-	-	-			
	72	125.3	9.7	87.1	73.8	60.6	47.3	-	-	117.4	10.7	84.0	70.6	57.1	43.7	-	-			
	67	114.6	9.0	104.1	89.0	73.8	60.4	47.1	-	109.6	10.3	100.5	85.2	70.0	56.5	43.1	-			
	62	111.5	8.9	111.3	99.1	87.0	73.5	60.0	46.5	106.6	10.1	105.3	94.1	82.8	69.4	56.0	42.5			
3000	77	142.5	9.4	80.5	64.1	47.6	-	-	-	130.8	10.6	77.8	60.8	43.9	-	-	-			
	72	131.6	9.3	95.8	79.8	63.9	47.9	-	-	122.7	10.5	92.0	76.1	60.1	44.1	-	-			
	67	120.7	9.1	111.1	95.6	80.2	64.1	48.0	-	114.7	10.3	106.3	91.3	76.3	60.2	44.0	-			
	62	117.9	9.0	116.9	106.7	96.5	80.3	64.0	47.8	112.0	10.2	110.3	101.4	92.6	76.2	59.9	43.6			
3500	77	149.0	8.5	91.1	69.4	47.7	-	-	-	136.3	10.0	88.0	65.7	43.5	-	-	-			
	72	137.9	8.9	104.5	85.9	67.2	48.5	-	-	128.0	10.2	100.1	81.6	63.1	44.6	-	-			
	67	126.9	9.2	118.0	102.3	86.6	67.8	48.9	-	119.8	10.4	112.1	97.4	82.7	63.8	45.0	-			
	62	124.2	9.1	122.6	114.3	106.1	87.1	68.0	49.0	117.3	10.3	115.3	108.8	102.3	83.1	63.9	44.6			
4000	77	149.0	8.5	91.1	69.4	47.7	-	-	-	136.3	10.0	88.0	65.7	43.5	-	-	-			
	72	137.9	8.9	104.5	85.9	67.2	48.5	-	-	128.0	10.2	100.1	81.6	63.1	44.6	-	-			
	67	126.9	9.2	118.0	102.3	86.6	67.8	48.9	-	119.8	10.4	112.1	97.4	82.7	63.8	45.0	-			
	62	124.2	9.1	122.6	114.3	106.1	87.1	68.0	49.0	117.3	10.3	115.3	108.8	102.3	83.1	63.9	44.6			
4500	77	155.6	7.7	101.6	74.7	47.9	-	-	-	141.8	9.4	98.2	70.7	43.1	-	-	-			
	72	144.3	8.4	113.3	91.9	70.5	49.1	-	-	133.3	10.0	108.1	87.1	66.1	45.1	-	-			
	67	133.0	9.2	125.0	109.0	93.0	71.5	49.9	-	124.9	10.5	118.0	103.5	89.1	67.5	45.9	-			
	62	130.5	9.2	128.3	121.9	115.6	93.8	72.1	50.3	122.7	10.4	120.2	116.1	112.0	89.9	67.8	45.7			
5000	72	156.9	7.6	130.7	103.9	77.1	50.2	-	-	143.9	9.5	124.2	98.1	72.0	46.0	-	-			
	67	145.2	9.3	138.9	122.4	105.9	78.8	51.7	-	135.1	10.6	129.6	115.7	101.8	74.8	47.8	-			
	62	143.2	9.3	139.6	137.2	134.7	107.4	80.1	52.8	133.4	10.6	130.2	130.2	130.2	103.6	75.7	47.8			
	57	141.2	9.4	140.3	140.3	140.3	136.0	108.4	80.9	131.8	10.6	130.8	130.8	130.8	130.8	103.6	74.7			

ZX12 (10 Ton) (Continued)

Air on Evaporator Coil		Temperature of Air on Condenser Coil															
		Total Capacity ¹ (MBh)	Total Input (kW) ²	Sensible Capacity (MBh)						Total Capacity ¹ (MBh)	Total Input (kW) ²	Sensible Capacity (MBh)					
				Return Dry Bulb (°F)								Return Dry Bulb (°F)					
				90	85	80	75	70	65			90	85	80	75	70	65
		115°F								125°F							
2500	77	114.7	12.0	65.0	53.1	41.1	-	-	-	104.1	12.9	62.6	50.3	38.0	-	-	-
	72	109.6	11.8	80.9	67.3	53.6	40.0	-	-	101.8	12.8	77.9	64.0	50.2	36.3	-	-
	67	104.5	11.5	96.8	81.5	66.2	52.7	39.1	-	99.4	12.7	93.2	77.8	62.4	48.8	35.2	-
	62	101.7	11.3	99.3	89.0	78.7	65.3	51.9	38.5	96.7	12.6	93.3	84.0	74.6	61.2	47.9	34.5
3000	77	119.1	11.8	75.0	57.6	40.2	-	-	-	107.4	12.9	72.2	54.3	36.5	-	-	-
	72	113.8	11.7	88.3	72.3	56.3	40.3	-	-	105.0	12.9	84.5	68.5	52.5	36.6	-	-
	67	108.6	11.5	101.5	87.0	72.5	56.3	40.1	-	102.5	12.8	96.8	82.7	68.6	52.4	36.1	-
	62	106.1	11.4	103.6	96.1	88.6	72.2	55.8	39.4	100.2	12.7	97.0	90.8	84.7	68.2	51.7	35.2
	57	104.2	11.3	104.2	104.2	104.2	88.2	71.5	54.9	97.8	12.6	97.2	97.2	97.2	84.0	67.2	50.5
3500	77	123.5	11.5	85.0	62.1	39.2	-	-	-	110.8	13.0	81.9	58.4	35.0	-	-	-
	72	118.1	11.6	95.6	77.3	59.0	40.7	-	-	108.2	12.9	91.1	73.0	54.9	36.8	-	-
	67	112.7	11.6	106.2	92.5	78.8	59.9	41.0	-	105.6	12.9	100.3	87.6	74.8	56.0	37.1	-
	62	110.5	11.6	107.9	103.2	98.6	79.1	59.7	40.2	103.6	12.8	100.6	97.7	94.8	75.1	55.5	35.8
	57	108.8	11.5	108.8	108.8	108.8	98.3	78.3	58.3	101.6	12.8	100.8	100.8	100.8	94.3	73.9	53.5
4000	77	127.9	11.2	94.9	66.6	38.3	-	-	-	114.1	13.0	91.6	62.5	33.5	-	-	-
	72	122.3	11.5	102.9	82.3	61.7	41.0	-	-	111.4	13.0	97.7	77.5	57.3	37.0	-	-
	67	116.8	11.7	110.9	98.0	85.1	63.5	42.0	-	108.7	12.9	103.9	92.5	81.1	59.6	38.0	-
	62	114.9	11.7	112.2	110.3	108.5	86.0	63.5	41.1	107.0	12.9	104.2	104.2	104.2	82.1	59.3	36.5
	57	113.3	11.6	113.3	113.3	113.3	108.5	85.1	61.7	105.4	12.9	104.4	104.4	104.4	104.4	80.5	56.4
4500	72	126.6	11.4	110.2	87.3	64.4	41.4	-	-	114.6	13.0	104.4	82.0	59.6	37.3	-	-
	67	120.8	11.8	115.6	103.5	91.4	67.1	42.9	-	111.7	13.0	107.5	97.4	87.3	63.2	39.0	-
	62	119.3	11.8	116.5	116.5	116.5	92.9	67.4	41.9	110.5	13.0	107.8	107.8	107.8	89.0	63.1	37.1
	57	117.9	11.8	117.4	117.4	117.4	91.9	65.1	-	109.2	13.0	108.1	108.1	108.1	108.1	87.2	59.4
5000	72	130.8	11.3	117.6	92.3	67.0	41.8	-	-	117.8	13.1	111.0	86.5	62.0	37.5	-	-
	67	124.9	11.9	120.3	109.0	97.7	70.8	43.9	-	114.8	13.1	111.1	102.3	93.6	66.7	39.9	-
	62	123.7	11.9	120.8	120.8	120.8	99.8	71.3	42.8	113.9	13.2	111.4	111.4	111.4	96.0	66.9	37.8
	57	122.4	11.9	121.3	121.3	121.3	121.3	98.7	68.6	113.0	13.2	111.7	111.7	111.7	93.8	62.4	

1. These capacities are gross ratings. For net capacity, deduct the supply air blower motor heat (MBh = 3.415 x kW). Refer to the appropriate Blower Performance Table for the kW of the supply air blower motor.
2. These ratings include the condenser fan motors (total 1 kW) and the compressor motors but not the supply air blower motor.

ZX14 (12.5 Ton)

Air on Evaporator Coil		Temperature of Air on Condenser Coil															
CFM	WB (°F)	Total Capacity ¹ (MBh)	Total Input (kW) ²	Sensible Capacity (MBh)						Total Capacity ¹ (MBh)	Total Input (kW) ²	Sensible Capacity (MBh)					
				Return Dry Bulb (°F)								Return Dry Bulb (°F)					
		Return Dry Bulb (°F)															
		75°F								85°F							
		90	85	80	75	70	65			90	85	80	75	70	65		
3200	77	185.1	8.9	93.2	78.5	63.9	-	-	-	176.3	9.8	92.7	76.8	60.9	-	-	-
	72	169.2	8.8	114.0	97.2	80.3	63.4	-	-	161.1	9.7	111.3	94.2	77.0	59.9	-	-
	67	153.2	8.6	134.9	115.8	96.7	79.2	63.2	-	145.8	9.7	129.9	111.5	93.1	76.0	59.6	-
	62	142.2	8.6	137.1	125.1	113.1	89.8	79.8	63.1	140.0	9.6	135.4	122.3	109.2	89.5	76.5	60.1
3750	77	185.7	9.0	103.6	82.7	61.8	-	-	-	176.6	9.9	103.1	81.0	59.0	-	-	-
	72	171.6	8.8	122.7	102.8	82.8	62.8	-	-	163.4	9.8	119.9	99.7	79.6	59.4	-	-
	67	157.6	8.7	141.8	122.8	103.7	83.0	63.4	-	150.3	9.7	136.7	118.4	100.2	79.7	59.9	-
	62	148.7	8.6	144.0	134.3	124.7	99.0	83.9	63.6	145.6	9.7	141.3	131.0	120.8	97.9	80.5	60.3
4300	77	186.3	9.0	114.1	86.9	59.8	-	-	-	176.9	9.9	113.5	85.3	57.0	-	-	-
	72	174.1	8.9	131.4	108.3	85.3	62.2	-	-	165.8	9.8	128.5	105.3	82.1	59.0	-	-
	67	161.9	8.7	148.7	129.7	110.7	86.8	63.6	-	154.8	9.8	143.4	125.3	107.3	83.5	60.1	-
	62	155.2	8.7	150.9	143.5	136.2	108.1	88.1	64.0	151.2	9.7	147.2	139.8	132.4	106.4	84.4	60.4
4900	77	186.9	9.1	124.5	91.2	57.8	-	-	-	177.2	10.0	124.0	89.5	55.0	-	-	-
	72	176.6	8.9	140.1	113.9	87.8	61.6	-	-	168.2	9.9	137.1	110.9	84.7	58.5	-	-
	67	166.3	8.8	155.7	136.7	117.7	90.5	63.9	-	159.2	9.8	150.2	132.3	114.3	87.2	60.3	-
	62	161.7	8.8	157.7	152.7	147.7	117.3	92.2	64.5	156.8	9.8	153.1	148.5	144.0	114.9	88.4	60.6
5400	77	186.9	9.1	124.5	91.2	57.8	-	-	-	177.2	10.0	124.0	89.5	55.0	-	-	-
	72	176.6	8.9	140.1	113.9	87.8	61.6	-	-	168.2	9.9	137.1	110.9	84.7	58.5	-	-
	67	166.3	8.8	155.7	136.7	117.7	90.5	63.9	-	159.2	9.8	150.2	132.3	114.3	87.2	60.3	-
	62	161.7	8.8	157.7	152.7	147.7	117.3	92.2	64.5	156.8	9.8	153.1	148.5	144.0	114.9	88.4	60.6
6000	77	186.9	9.1	124.5	91.2	57.8	-	-	-	177.2	10.0	124.0	89.5	55.0	-	-	-
	72	176.6	8.9	140.1	113.9	87.8	61.6	-	-	168.2	9.9	137.1	110.9	84.7	58.5	-	-
	67	166.3	8.8	155.7	136.7	117.7	90.5	63.9	-	159.2	9.8	150.2	132.3	114.3	87.2	60.3	-
	62	161.7	8.8	157.7	152.7	147.7	117.3	92.2	64.5	156.8	9.8	153.1	148.5	144.0	114.9	88.4	60.6
3200	77	167.5	10.7	92.2	75.1	58.0	-	-	-	153.5	12.0	90.1	72.1	54.1	-	-	-
	72	153.0	10.7	108.5	91.1	73.8	56.4	-	-	141.4	12.1	104.7	87.2	69.6	52.0	-	-
	67	138.4	10.8	124.9	107.2	89.5	72.8	56.1	-	129.4	12.2	119.4	102.2	85.0	68.2	51.4	-
	62	137.8	10.7	133.7	119.4	105.2	89.2	73.2	57.2	128.7	12.1	125.5	113.0	100.5	84.4	68.3	52.2
3750	77	167.5	10.7	102.6	79.4	56.1	-	-	-	154.3	12.1	100.0	75.8	51.6	-	-	-
	72	155.2	10.8	117.1	96.7	76.4	56.0	-	-	144.1	12.2	112.6	92.2	71.8	51.4	-	-
	67	143.0	10.8	131.5	114.1	96.6	76.5	56.3	-	133.9	12.2	125.2	108.6	92.0	71.8	51.6	-
	62	142.4	10.7	138.6	127.7	116.9	96.9	77.0	57.0	133.2	12.2	130.2	121.2	112.2	92.2	72.2	52.1
4300	77	167.4	10.8	113.0	83.6	54.2	-	-	-	155.1	12.2	109.9	79.4	49.0	-	-	-
	72	157.5	10.8	125.6	102.3	79.0	55.7	-	-	146.8	12.2	120.5	97.2	74.0	50.7	-	-
	67	147.6	10.8	138.2	121.0	103.8	80.2	56.6	-	138.4	12.2	131.0	115.0	98.9	75.3	51.7	-
	62	147.1	10.8	143.5	136.0	128.6	104.7	80.8	56.9	137.8	12.2	134.8	129.3	123.9	99.9	76.0	52.1
4900	77	167.4	10.9	123.5	87.9	52.3	-	-	-	155.9	12.3	119.8	83.1	46.5	-	-	-
	72	159.8	10.9	134.1	107.9	81.6	55.3	-	-	149.4	12.3	128.3	102.2	76.2	50.1	-	-
	67	152.2	10.8	144.8	127.9	110.9	83.9	56.8	-	143.0	12.3	136.9	121.4	105.9	78.9	51.9	-
	62	151.8	10.8	148.4	144.3	140.3	112.4	84.6	56.7	142.4	12.2	139.4	137.5	135.6	107.7	79.9	52.0
5400	77	162.1	10.9	142.7	113.4	84.2	55.0	-	-	152.1	12.3	136.2	107.3	78.3	49.4	-	-
	72	156.8	10.9	151.5	134.8	118.1	87.6	57.1	-	147.5	12.3	142.7	127.7	112.8	82.4	52.1	-
	67	156.5	10.9	153.3	152.7	152.0	120.2	88.4	56.6	146.9	12.3	144.1	144.1	144.1	115.5	83.7	51.9
	62	156.1	10.8	155.2	155.2	152.8	119.7	86.6	56.6	146.3	12.2	145.4	145.4	145.4	145.4	115.3	82.1
6000	77	164.3	11.0	151.2	119.0	86.8	54.6	-	-	154.8	12.4	144.1	112.3	80.5	48.8	-	-
	72	161.4	10.9	158.1	141.7	125.2	91.3	57.3	-	152.1	12.3	148.5	134.1	119.7	86.0	52.3	-
	67	161.1	10.9	158.2	158.2	158.2	127.9	92.2	56.4	151.5	12.3	148.7	148.7	148.7	123.2	87.6	51.9
	62	160.9	10.9	158.4	158.4	158.4	158.4	127.0	89.5	150.9	12.3	148.9	148.9	148.9	148.9	122.8	85.2

ZX14 (12.5 Ton) (Continued)

Air on Evaporator Coil		Temperature of Air on Condenser Coil															
CFM	WB (°F)	Total Capacity ¹ (MBh)	Total Input (kW) ²	Sensible Capacity (MBh)						Total Capacity ¹ (MBh)	Total Input (kW) ²	Sensible Capacity (MBh)					
				Return Dry Bulb (°F)								Return Dry Bulb (°F)					
				90	85	80	75	70	65			90	85	80	75	70	65
				115°F						125°F							
3200	77	139.5	13.4	88.0	69.1	50.2	-	-	-	125.5	14.8	85.9	66.1	46.2	-	-	-
	72	129.9	13.5	100.9	83.2	65.4	47.6	-	-	118.4	14.9	97.1	79.2	61.2	43.2	-	-
	67	120.3	13.6	113.9	97.2	80.6	63.6	46.6	-	111.3	15.0	108.4	92.3	76.2	59.0	41.9	-
	62	119.6	13.6	117.4	106.6	95.8	79.6	63.4	47.3	110.5	15.0	109.2	100.2	91.1	74.9	58.6	42.3
3750	77	141.1	13.5	97.4	72.2	47.0	-	-	-	128.0	14.9	94.8	68.6	42.4	-	-	-
	72	133.0	13.6	108.1	87.6	67.2	46.7	-	-	121.8	15.0	103.7	83.1	62.6	42.0	-	-
	67	124.8	13.6	118.9	103.1	87.3	67.0	46.8	-	115.7	15.1	112.6	97.6	82.7	62.3	42.0	-
	62	124.0	13.6	121.7	114.6	107.5	87.4	67.3	47.3	114.9	15.0	113.3	108.0	102.8	82.7	62.5	42.4
4300	77	142.8	13.5	106.8	75.3	43.8	-	-	-	130.4	14.9	103.6	71.1	38.6	-	-	-
	72	136.0	13.6	115.3	92.1	68.9	45.7	-	-	125.3	15.0	110.2	87.1	63.9	40.8	-	-
	67	129.3	13.7	123.9	109.0	94.0	70.5	46.9	-	120.1	15.1	116.8	103.0	89.2	65.6	42.1	-
	62	128.5	13.6	126.1	122.6	119.2	95.2	71.2	47.3	119.2	15.1	117.4	115.9	114.4	90.5	66.5	42.5
4875	77	144.4	13.6	116.1	78.4	40.7	-	-	-	132.9	14.9	112.5	73.7	34.8	-	-	-
	72	139.1	13.6	122.5	96.6	70.7	44.8	-	-	128.7	15.0	116.7	91.0	65.3	39.5	-	-
	67	133.8	13.7	128.9	114.8	100.8	73.9	47.0	-	124.5	15.1	121.0	108.3	95.7	68.9	42.1	-
	62	132.9	13.6	130.4	130.4	130.4	103.0	75.1	47.3	123.5	15.1	121.5	121.5	121.5	98.3	70.4	42.6
5400	77	142.2	13.7	129.7	101.1	72.5	43.9	-	-	132.2	15.1	123.3	94.9	66.6	38.3	-	-
	72	138.3	13.7	134.0	120.7	107.5	77.3	47.1	-	129.0	15.2	125.2	113.7	102.2	72.2	42.2	-
	67	137.4	13.7	134.8	134.8	134.8	110.8	79.0	47.3	127.8	15.1	125.5	125.5	125.5	106.1	74.4	42.7
	62	136.5	13.6	135.6	135.6	135.6	135.6	110.9	77.7	126.6	15.0	125.9	125.9	125.9	125.9	106.6	73.2
6000	77	145.2	13.7	136.9	105.6	74.3	42.9	-	-	135.7	15.1	129.8	98.9	68.0	37.1	-	-
	72	142.7	13.8	139.0	126.6	114.2	80.7	47.3	-	133.4	15.2	129.4	119.1	108.7	75.5	42.2	-
	67	141.8	13.7	139.2	139.2	139.2	118.6	82.9	47.3	132.1	15.1	129.6	129.6	129.6	113.9	78.3	42.8
	62	140.9	13.6	139.3	139.3	139.3	139.3	118.6	80.9	130.8	15.0	129.8	129.8	129.8	129.8	114.4	76.6

1. These capacities are gross ratings. For net capacity, deduct the supply air blower motor heat (MBh = 3.415 x kW). Refer to the appropriate Blower Performance Table for the kW of the supply air blower motor.
2. These ratings include the condenser fan motors (total 1 kW) and the compressor motors but not the supply air blower motor.

ZY04-12 Cooling Capacities

ZY04 (3.0 Ton)

Air on Evaporator Coil		Temperature of Air on Condenser Coil															
CFM	WB (°F)	Total Capacity ¹ (MBh)	Total Input (kW) ²	Sensible Capacity (MBh)						Total Capacity ¹ (MBh)	Total Input (kW) ²	Sensible Capacity (MBh)					
				Return Dry Bulb (°F)								Return Dry Bulb (°F)					
				90	85	80	75	70	65			90	85	80	75	70	65
		75°F								85°F							
750	77	47.1	2.1	23.2	19.7	16.3	-	-	-	45.3	2.4	22.2	18.7	15.1	-	-	-
	72	43.9	2.1	28.3	24.1	19.9	15.8	-	-	41.7	2.4	27.4	23.1	18.9	14.7	-	-
	67	40.8	2.1	33.3	28.5	23.6	19.9	15.7	-	38.1	2.4	32.5	27.6	22.7	18.8	14.6	-
	62	36.2	2.1	34.8	31.0	27.2	22.8	19.8	16.2	35.0	2.4	33.6	30.1	26.6	22.3	18.7	14.8
900	77	47.9	2.1	26.0	21.3	16.7	-	-	-	46.0	2.4	25.2	20.5	15.7	-	-	-
	72	45.1	2.1	31.0	26.1	21.2	16.4	-	-	42.8	2.4	30.0	25.1	20.3	15.4	-	-
	67	42.2	2.1	35.9	30.8	25.8	21.2	16.4	-	39.7	2.4	34.8	29.8	24.8	20.1	15.3	-
	62	38.3	2.1	37.1	33.7	30.4	25.2	21.2	16.6	37.0	2.4	35.8	32.6	29.4	24.4	20.0	15.3
1050	77	48.7	2.1	28.9	23.0	17.0	-	-	-	46.6	2.4	28.2	22.3	16.3	-	-	-
	72	46.2	2.1	33.7	28.1	22.5	17.0	-	-	44.0	2.4	32.7	27.1	21.6	16.1	-	-
	67	43.6	2.1	38.4	33.2	28.0	22.6	17.0	-	41.3	2.4	37.1	32.0	26.9	21.5	15.9	-
	62	40.4	2.1	39.4	36.5	33.5	27.6	22.5	17.0	39.0	2.4	37.9	35.1	32.2	26.5	21.3	15.9
1200	77	49.6	2.1	31.7	24.6	17.4	-	-	-	47.3	2.4	31.2	24.1	16.9	-	-	-
	72	47.3	2.1	36.4	30.1	23.8	17.6	-	-	45.1	2.4	35.3	29.1	23.0	16.8	-	-
	67	45.0	2.1	41.0	35.6	30.2	24.0	17.6	-	42.8	2.4	39.4	34.2	29.0	22.8	16.6	-
	62	42.5	2.1	41.7	39.2	36.7	30.0	23.9	17.5	41.0	2.3	40.1	37.5	35.0	28.7	22.6	16.5
1350	77	48.4	2.1	39.1	32.1	25.1	18.2	-	-	46.2	2.4	38.0	31.1	24.3	17.5	-	-
	72	46.4	2.1	43.5	38.0	32.5	25.4	18.2	-	44.4	2.3	41.7	36.4	31.1	24.2	17.3	-
	67	44.6	2.1	44.0	41.9	39.8	32.3	25.2	17.9	43.0	2.3	42.2	40.0	37.8	30.8	24.0	17.0
	62	43.8	2.1	43.8	43.8	43.8	39.7	32.2	24.7	42.4	2.3	42.4	42.4	42.4	37.6	30.6	23.6
1500	77	49.5	2.1	41.8	34.1	26.4	18.7	-	-	47.4	2.4	40.6	33.1	25.7	18.2	-	-
	72	47.8	2.1	46.1	40.4	34.7	26.7	18.8	-	46.0	2.3	44.0	38.6	33.1	25.6	18.0	-
	67	46.7	2.1	46.3	44.6	43.0	34.7	26.5	18.3	45.0	2.3	44.4	42.5	40.6	33.0	25.3	17.6
	62	45.7	2.1	45.7	45.7	45.7	42.7	34.3	25.8	44.3	2.3	44.3	44.3	44.3	40.3	32.6	24.8
		95°F								105°F							
750	77	43.5	2.6	21.3	17.6	13.8	-	-	-	39.8	3.1	20.9	16.8	12.8	-	-	-
	72	39.4	2.6	26.5	22.2	17.9	13.6	-	-	36.7	3.1	25.1	20.9	16.7	12.5	-	-
	67	35.4	2.6	31.7	26.8	21.9	17.7	13.4	-	33.6	3.1	29.4	25.0	20.7	16.5	12.3	-
	62	33.8	2.6	32.4	29.2	25.9	21.8	17.6	13.4	32.1	3.0	30.7	27.7	24.6	20.5	16.3	12.2
900	77	44.0	2.6	24.5	19.6	14.7	-	-	-	40.2	3.1	23.9	18.6	13.3	-	-	-
	72	40.6	2.6	29.1	24.2	19.3	14.4	-	-	37.6	3.1	27.6	22.8	17.9	13.1	-	-
	67	37.1	2.6	33.7	28.8	23.9	19.0	14.2	-	35.0	3.0	31.3	26.9	22.5	17.7	12.9	-
	62	35.7	2.6	34.5	31.4	28.4	23.6	18.9	14.1	33.6	3.0	32.5	29.8	27.2	22.3	17.5	12.7
1050	77	44.6	2.6	27.6	21.6	15.6	-	-	-	40.7	3.1	26.9	20.3	13.8	-	-	-
	72	41.7	2.6	31.7	26.2	20.7	15.2	-	-	38.5	3.1	30.1	24.6	19.1	13.6	-	-
	67	38.9	2.6	35.8	30.8	25.8	20.3	14.9	-	36.4	3.0	33.3	28.9	24.4	18.9	13.4	-
	62	37.5	2.6	36.5	33.7	30.9	25.5	20.2	14.8	35.2	3.0	34.2	32.0	29.7	24.2	18.8	13.3
1200	77	45.1	2.6	30.8	23.6	16.4	-	-	-	41.1	3.1	29.9	22.1	14.3	-	-	-
	72	42.9	2.6	34.3	28.2	22.1	16.0	-	-	39.4	3.1	32.6	26.4	20.3	14.2	-	-
	67	40.7	2.6	37.8	32.8	27.7	21.7	15.7	-	37.8	3.0	35.3	30.8	26.3	20.1	14.0	-
	62	39.4	2.6	38.5	35.9	33.4	27.4	21.4	15.5	36.8	3.0	36.0	34.1	32.2	26.1	20.0	13.8
1350	77	45.2	2.6	39.5	32.2	24.9	17.6	-	-	41.3	3.1	37.5	30.1	22.7	15.3	-	-
	72	44.2	2.6	42.0	36.8	31.6	24.4	17.1	-	40.6	3.0	39.2	34.6	30.0	22.6	15.1	-
	67	43.2	2.6	42.5	40.4	38.3	31.2	24.0	16.8	40.0	3.0	39.5	38.4	37.3	29.9	22.4	15.0
	62	43.0	2.6	43.0	43.0	43.0	37.9	30.9	23.8	39.8	3.0	39.8	39.8	39.8	37.2	29.7	22.2

ZY04 (3.0 Ton) (Continued)

Air on Evaporator Coil		Temperature of Air on Condenser Coil															
CFM	WB (°F)	Total Capacity ¹ (MBh)	Total Input (kW) ²	Sensible Capacity (MBh)						Total Capacity ¹ (MBh)	Total Input (kW) ²	Sensible Capacity (MBh)					
				Return Dry Bulb (°F)								Return Dry Bulb (°F)					
				90	85	80	75	70	65			90	85	80	75	70	65
				115°F						125°F							
750	77	36.2	3.6	20.4	16.1	11.7	-	-	-	32.5	4.2	20.0	15.3	10.7	-	-	-
	72	34.0	3.5	23.8	19.7	15.6	11.5	-	-	31.2	4.0	22.4	18.4	14.4	10.4	-	-
	67	31.7	3.5	27.1	23.3	19.4	15.3	11.2	-	29.9	3.9	24.9	21.5	18.2	14.2	10.1	-
	62	30.3	3.5	29.0	26.2	23.3	19.2	15.1	10.9	28.6	3.9	27.3	24.6	22.0	17.9	13.8	9.7
900	77	36.5	3.6	23.3	17.6	11.9	-	-	-	32.7	4.1	22.7	16.6	10.5	-	-	-
	72	34.6	3.5	26.1	21.3	16.6	11.8	-	-	31.7	4.0	24.6	19.9	15.2	10.5	-	-
	67	32.8	3.5	29.0	25.1	21.2	16.4	11.6	-	30.7	3.9	26.6	23.3	19.9	15.1	10.3	-
	62	31.6	3.5	30.5	28.2	25.9	21.1	16.2	11.4	29.6	3.9	28.5	26.6	24.6	19.8	14.9	10.0
	57	30.7	3.4	30.7	30.7	30.6	25.7	20.8	16.0	28.5	3.9	28.5	28.5	28.5	24.4	19.4	14.5
1050	77	36.8	3.5	26.1	19.1	12.0	-	-	-	32.9	4.0	25.4	17.8	10.3	-	-	-
	72	35.3	3.5	28.5	23.0	17.5	12.1	-	-	32.1	4.0	26.8	21.4	16.0	10.5	-	-
	67	33.9	3.5	30.8	26.9	23.0	17.5	12.0	-	31.4	3.9	28.3	25.0	21.6	16.1	10.5	-
	62	32.9	3.4	32.0	30.2	28.5	22.9	17.4	11.8	30.6	3.9	29.8	28.5	27.3	21.6	16.0	10.3
	57	32.2	3.4	32.2	32.2	32.2	28.4	22.7	17.1	29.8	3.8	29.8	29.8	29.8	27.2	21.4	15.7
1200	77	37.1	3.5	29.0	20.6	12.2	-	-	-	33.0	3.9	28.0	19.1	10.1	-	-	-
	72	36.0	3.5	30.8	24.7	18.5	12.4	-	-	32.6	4.0	29.1	22.9	16.7	10.5	-	-
	67	35.0	3.4	32.7	28.7	24.8	18.6	12.4	-	32.1	3.8	30.1	26.7	23.3	17.0	10.7	-
	62	34.2	3.4	33.5	32.3	31.1	24.8	18.5	12.2	31.5	3.8	31.0	30.5	29.9	23.5	17.1	10.6
	57	33.7	3.4	33.7	33.7	33.7	31.0	24.7	18.3	31.0	3.8	31.0	31.0	31.0	30.0	23.4	16.8
1350	72	36.7	3.5	33.2	26.3	19.5	12.6	-	-	33.0	4.0	31.3	24.4	17.5	10.6	-	-
	67	36.0	3.4	34.5	30.5	26.6	19.7	12.7	-	32.8	3.8	31.8	28.4	25.0	18.0	10.9	-
	62	35.5	3.4	35.0	34.3	33.7	26.7	19.7	12.7	32.5	3.8	32.3	32.3	32.3	25.4	18.1	10.9
	57	35.1	3.4	35.1	35.1	35.1	33.7	26.6	19.5	32.2	3.8	32.2	32.2	32.2	32.2	25.4	18.0
1500	72	37.4	3.5	35.5	28.0	20.5	12.9	-	-	33.5	3.9	33.5	25.9	18.2	10.6	-	-
	67	37.1	3.4	36.4	32.4	28.4	20.7	13.1	-	33.5	3.8	33.5	30.1	26.7	18.9	11.1	-
	62	36.7	3.4	36.5	36.4	36.3	28.6	20.8	13.1	33.5	3.8	33.5	33.5	33.5	27.2	19.2	11.2
	57	36.6	3.4	36.6	36.6	36.6	36.4	28.5	20.7	33.5	3.8	33.5	33.5	33.5	33.5	27.4	19.1

1. These capacities are gross ratings. For net capacity, deduct the supply air blower motor heat (MBh = 3.415 x kW). Refer to the appropriate Blower Performance Table for the kW of the supply air blower motor.
2. These ratings include the condenser fan motors (total 1 kW) and the compressor motors but not the supply air blower motor.

ZY05 (4.0 Ton)

Air on Evaporator Coil		Temperature of Air on Condenser Coil																	
CFM	WB (°F)	Total Capacity ¹ (MBh)	Total Input (kW) ²	Sensible Capacity (MBh)						Total Capacity ¹ (MBh)	Total Input (kW) ²	Sensible Capacity (MBh)							
				Return Dry Bulb (°F)								Return Dry Bulb (°F)							
				90	85	80	75	70	65			90	85	80	75	70	65		
75°F										85°F									
1000	77	64.9	2.8	32.3	27.2	22.1	-	-	-	59.9	3.1	30.9	26.2	21.5	-	-	-		
	72	58.5	2.8	38.1	32.7	27.3	21.9	-	-	55.5	3.1	36.9	31.7	26.5	21.2	-	-		
	67	52.1	2.8	44.0	38.3	32.6	26.9	21.8	-	51.2	3.1	43.0	37.2	31.5	26.0	20.8	-		
	62	49.9	2.7	49.3	43.6	37.9	31.5	27.1	21.7	48.9	3.1	47.3	41.9	36.5	30.6	25.7	20.3		
1200	77	65.4	2.8	35.9	29.1	22.4	-	-	-	60.6	3.1	34.8	28.2	21.5	-	-	-		
	72	59.9	2.8	41.6	35.3	28.9	22.5	-	-	56.8	3.1	40.4	34.1	27.8	21.6	-	-		
	67	54.4	2.8	47.4	41.4	35.4	28.7	22.5	-	53.1	3.1	45.9	40.1	34.2	27.7	21.4	-		
	62	52.5	2.7	51.8	46.9	42.0	34.6	28.9	22.3	51.1	3.1	49.7	45.1	40.6	33.6	27.5	20.9		
57	51.8	2.7	51.8	51.8	48.5	41.9	35.2	28.6	49.7	3.1	49.7	49.7	47.0	40.3	33.5	26.8			
1400	77	66.0	2.8	39.5	31.1	22.7	-	-	-	61.3	3.2	38.8	30.1	21.5	-	-	-		
	72	61.3	2.8	45.1	37.8	30.5	23.1	-	-	58.1	3.2	43.8	36.5	29.2	21.9	-	-		
	67	56.7	2.8	50.8	44.5	38.3	30.6	23.2	-	55.0	3.1	48.9	42.9	37.0	29.4	21.9	-		
	62	55.1	2.8	54.4	50.2	46.1	37.8	30.7	22.9	53.3	3.1	52.0	48.4	44.7	36.7	29.3	21.5		
57	54.4	2.7	54.4	54.4	52.8	46.0	38.1	30.2	52.1	3.1	52.1	52.1	51.9	44.5	36.6	28.6			
1600	77	66.6	2.8	43.1	33.0	22.9	-	-	-	62.0	3.2	42.7	32.1	21.4	-	-	-		
	72	62.8	2.8	48.6	40.3	32.0	23.7	-	-	59.4	3.2	47.3	38.9	30.6	22.2	-	-		
	67	58.9	2.8	54.2	47.6	41.1	32.4	23.9	-	56.9	3.2	51.8	45.8	39.7	31.0	22.5	-		
	62	57.7	2.8	56.9	53.5	50.2	40.9	32.4	23.6	55.6	3.2	54.4	51.6	48.9	39.8	31.0	22.1		
57	57.0	2.8	57.0	57.0	50.1	40.9	31.8	-	54.6	3.1	54.6	54.6	54.6	48.8	39.6	30.4			
1800	72	64.2	2.8	52.1	42.9	33.6	24.3	-	-	60.7	3.2	50.7	41.3	32.0	22.6	-	-		
	67	61.2	2.8	57.6	50.7	43.9	34.2	24.6	-	58.8	3.2	54.8	48.6	42.5	32.7	23.0	-		
	62	60.3	2.8	59.4	56.9	54.3	44.0	34.2	24.2	57.8	3.2	56.8	54.9	53.0	42.8	32.8	22.8		
	57	59.6	2.8	59.6	59.6	59.6	54.2	43.8	33.4	57.0	3.2	57.0	57.0	57.0	53.1	42.7	32.2		
2000	72	65.6	2.8	55.7	45.4	35.1	24.9	-	-	62.0	3.2	54.2	43.8	33.3	22.9	-	-		
	67	63.5	2.8	61.0	53.9	46.8	36.0	25.3	-	60.7	3.2	57.7	51.5	45.3	34.4	23.6	-		
	62	62.9	2.8	62.0	60.2	58.4	47.2	36.0	24.8	60.0	3.2	59.2	58.2	57.2	45.9	34.6	23.4		
	57	62.2	2.8	62.2	62.2	62.2	58.3	46.6	35.0	59.4	3.2	59.4	59.4	59.4	57.4	45.7	34.0		
95°F										105°F									
1000	77	55.0	3.5	29.5	25.2	20.9	-	-	-	51.7	4.1	28.6	24.4	20.3	-	-	-		
	72	52.6	3.5	35.8	30.7	25.6	20.5	-	-	48.7	4.1	34.4	29.4	24.5	19.6	-	-		
	67	50.2	3.5	42.0	36.2	30.3	25.1	19.8	-	46.1	4.1	40.2	34.5	28.8	23.7	18.7	-		
	62	47.8	3.5	45.3	40.2	35.0	29.6	24.2	18.8	44.5	4.1	42.8	37.9	33.0	27.9	22.7	17.6		
1200	77	55.8	3.5	33.8	27.2	20.6	-	-	-	52.2	4.1	32.7	26.2	19.7	-	-	-		
	72	53.8	3.5	39.1	33.0	26.8	20.6	-	-	50.0	4.1	37.6	31.6	25.6	19.5	-	-		
	67	51.8	3.5	44.5	38.8	33.0	26.6	20.2	-	47.7	4.1	42.5	36.9	31.4	25.2	19.0	-		
	62	49.7	3.5	47.5	43.4	39.2	32.6	26.0	19.4	46.3	4.1	44.8	41.0	37.2	30.8	24.5	18.1		
57	47.6	3.6	47.6	47.6	45.4	38.6	31.8	25.0	44.9	4.1	44.9	44.9	43.0	36.5	29.9	23.4			
1400	77	56.6	3.5	38.1	29.2	20.3	-	-	-	52.7	4.1	36.9	28.0	19.2	-	-	-		
	72	54.9	3.5	42.5	35.3	28.0	20.7	-	-	51.2	4.1	40.8	33.7	26.6	19.5	-	-		
	67	53.3	3.5	47.0	41.3	35.7	28.2	20.6	-	49.3	4.1	44.8	39.4	34.0	26.6	19.3	-		
	62	51.6	3.5	49.7	46.6	43.4	35.6	27.9	20.1	48.1	4.1	46.9	44.1	41.3	33.8	26.2	18.6		
57	49.9	3.5	49.9	49.9	49.9	43.1	35.1	27.1	47.0	4.1	47.0	47.0	47.0	40.9	33.1	25.3			
1600	77	57.4	3.5	42.3	31.1	19.9	-	-	-	53.3	4.1	41.0	29.9	18.7	-	-	-		
	72	56.1	3.5	45.9	37.5	29.2	20.8	-	-	52.4	4.1	44.1	35.8	27.6	19.4	-	-		
	67	54.8	3.5	49.5	43.9	38.4	29.7	21.0	-	50.9	4.1	47.1	41.8	36.6	28.1	19.5	-		
	62	53.4	3.5	51.9	49.8	47.6	38.6	29.7	20.7	50.0	4.1	48.9	47.2	45.5	36.7	27.9	19.1		
57	52.1	3.5	52.1	52.1	52.1	47.6	38.3	29.1	49.1	4.1	49.1	49.1	49.1	45.4	36.3	27.2			
1800	72	57.3	3.5	49.3	39.8	30.3	20.9	-	-	53.6	4.1	47.3	38.0	28.7	19.3	-	-		
	67	56.3	3.5	52.0	46.5	41.1	31.2	21.4	-	52.5	4.1	49.5	44.3	39.2	29.5	19.8	-		
	62	55.3	3.5	54.1	53.0	51.8	41.6	31.5	21.3	51.8	4.1	51.0	50.3	49.7	39.6	29.6	19.6		
	57	54.3	3.5	54.3	54.3	54.3	52.0	41.5	31.1	51.2	4.1	51.2	51.2	51.2	49.8	39.5	29.1		
2000	72	58.4	3.5	52.7	42.1	31.5	20.9	-	-	54.8	4.1	50.5	40.1	29.7	19.3	-	-		
	67	57.8	3.5	54.5	49.1	43.8	32.8	21.8	-	54.1	4.2	51.8	46.8	41.8	30.9	20.1	-		
	62	57.2	3.5	56.3	56.2	56.0	44.6	33.3	22.0	53.7	4.1	53.1	53.1	53.1	42.6	31.4	20.2		
	57	56.6	3.5	56.6	56.6	56.6	56.5	44.8	33.1	53.2	4.1	53.2	53.2	53.2	53.2	42.6	31.0		

ZY05 (4.0 Ton) (Continued)

Air on Evaporator Coil		Temperature of Air on Condenser Coil															
		Total Capacity ¹ (MBh)	Total Input (kW) ²	Sensible Capacity (MBh)						Total Capacity ¹ (MBh)	Total Input (kW) ²	Sensible Capacity (MBh)					
				Return Dry Bulb (°F)								Return Dry Bulb (°F)					
CFM	WB (°F)			90	85	80	75	70	65			90	85	80	75	70	65
115°F										125°F							
1000	77	48.4	4.8	27.7	23.6	19.6	-	-	-	45.1	5.4	26.7	22.9	19.0	-	-	-
	72	44.9	4.7	33.0	28.2	23.4	18.7	-	-	41.0	5.3	31.6	27.0	22.4	17.7	-	-
	67	41.9	4.7	38.3	32.8	27.2	22.4	17.6	-	37.8	5.2	36.5	31.1	25.7	21.1	16.4	-
	62	41.1	4.6	40.3	35.6	31.0	26.1	21.2	16.3	37.8	5.2	37.8	33.4	29.0	24.4	19.7	15.1
1200	77	48.6	4.8	31.7	25.3	18.9	-	-	-	45.1	5.4	30.6	24.3	18.1	-	-	-
	72	46.1	4.7	36.1	30.2	24.3	18.4	-	-	42.3	5.3	34.5	28.8	23.1	17.4	-	-
	67	43.6	4.7	40.5	35.1	29.7	23.7	17.7	-	39.5	5.3	38.4	33.3	28.1	22.3	16.5	-
	62	42.9	4.7	42.2	38.7	35.1	29.0	22.9	16.7	39.5	5.2	39.5	36.3	33.1	27.2	21.3	15.4
	57	42.2	4.6	42.2	42.2	40.6	34.3	28.0	21.8	39.5	5.2	39.5	39.3	38.1	32.1	26.1	20.1
1400	77	48.9	4.7	35.7	26.9	18.2	-	-	-	45.0	5.3	34.5	25.8	17.1	-	-	-
	72	47.4	4.7	39.1	32.2	25.2	18.2	-	-	43.6	5.3	37.5	30.6	23.8	17.0	-	-
	67	45.3	4.7	42.6	37.4	32.2	25.1	17.9	-	41.3	5.3	40.4	35.5	30.5	23.5	16.5	-
	62	44.7	4.7	44.1	41.7	39.3	31.9	24.5	17.1	41.3	5.2	41.2	39.2	37.2	30.0	22.8	15.7
	57	44.1	4.6	44.1	44.1	44.1	38.7	31.1	23.6	41.3	5.2	41.3	41.3	41.3	36.5	29.2	21.8
1600	77	49.1	4.7	39.7	28.6	17.4	-	-	-	44.9	5.3	38.4	27.3	16.2	-	-	-
	72	48.7	4.7	42.2	34.2	26.1	18.0	-	-	44.9	5.3	40.4	32.5	24.6	16.6	-	-
	67	47.0	4.7	44.8	39.8	34.7	26.4	18.1	-	43.1	5.3	42.4	37.7	32.9	24.7	16.6	-
	62	46.5	4.7	46.0	44.7	43.4	34.8	26.2	17.5	43.1	5.2	43.0	42.1	41.3	32.9	24.4	16.0
	57	46.1	4.6	46.1	46.1	46.1	43.2	34.3	25.4	43.0	5.2	43.0	43.0	43.0	41.0	32.2	23.5
1800	72	49.9	4.7	45.3	36.1	27.0	17.8	-	-	46.3	5.3	43.3	34.3	25.3	16.3	-	-
	67	48.7	4.7	46.9	42.1	37.2	27.7	18.2	-	44.9	5.3	44.4	39.9	35.3	26.0	16.6	-
	62	48.3	4.7	47.9	47.7	47.5	37.7	27.8	17.9	44.8	5.3	44.7	44.7	44.7	35.7	26.0	16.2
	57	48.0	4.6	48.0	48.0	48.0	47.6	37.4	27.2	44.8	5.2	44.8	44.8	44.8	44.8	35.3	25.2
2000	72	51.2	4.7	48.4	38.1	27.9	17.6	-	-	47.6	5.3	46.2	36.1	26.0	15.9	-	-
	67	50.4	4.8	49.1	44.4	39.8	29.1	18.4	-	46.7	5.4	46.4	42.1	37.8	27.2	16.7	-
	62	50.1	4.7	49.8	49.8	49.8	40.5	29.4	18.3	46.6	5.3	46.5	46.5	46.5	38.5	27.5	16.5
	57	49.9	4.6	49.9	49.9	49.9	49.9	40.5	29.0	46.5	5.2	46.5	46.5	46.5	46.5	38.4	26.9

1. These capacities are gross ratings. For net capacity, deduct the supply air blower motor heat (MBh = 3.415 x kW). Refer to the appropriate Blower Performance Table for the kW of the supply air blower motor.
2. These ratings include the condenser fan motors (total 1 kW) and the compressor motors but not the supply air blower motor.

ZY06 (5.0 Ton)

Air on Evaporator Coil		Temperature of Air on Condenser Coil																	
CFM	WB (°F)	Total Capacity ¹ (MBh)	Total Input (kW) ²	Sensible Capacity (MBh)							Total Capacity ¹ (MBh)	Total Input (kW) ²	Sensible Capacity (MBh)						
				Return Dry Bulb (°F)									Return Dry Bulb (°F)						
				90	85	80	75	70	65	90			85	80	75	70	65		
				75°F								85°F							
1250	77	78.9	3.4	37.6	31.8	26.0	-	-	-	75.5	4.1	39.5	32.5	25.4	-	-	-		
	72	71.2	3.4	46.4	39.6	32.9	26.1	-	-	67.9	3.8	46.5	39.2	31.8	24.5	-	-		
	67	63.4	3.4	55.1	47.4	39.8	33.1	26.3	-	60.2	3.5	53.5	45.9	38.3	31.4	24.5	-		
	62	60.2	3.3	56.9	51.8	46.7	38.1	33.2	26.5	57.8	3.7	54.7	49.7	44.7	37.3	31.8	25.3		
1500	77	79.2	3.4	43.0	34.9	26.9	-	-	-	75.3	3.9	43.0	33.7	24.4	-	-	-		
	72	72.7	3.4	51.1	43.0	34.9	26.9	-	-	69.0	3.8	49.4	41.2	33.0	24.8	-	-		
	67	66.3	3.4	59.1	51.1	43.0	35.1	27.0	-	62.8	3.8	55.8	48.7	41.6	33.4	25.2	-		
	62	63.6	3.3	60.8	55.9	51.0	41.7	35.3	27.4	60.7	3.8	58.2	54.2	50.2	41.2	33.7	25.4		
1750	77	79.5	3.5	48.4	38.1	27.8	-	-	-	75.1	3.6	46.6	35.0	23.4	-	-	-		
	72	74.3	3.4	55.8	46.4	37.0	27.6	-	-	70.2	3.8	52.3	43.3	34.2	25.1	-	-		
	67	69.2	3.4	63.1	54.7	46.2	37.0	27.8	-	65.3	4.0	58.1	51.5	44.9	35.4	25.8	-		
	62	67.1	3.4	64.7	60.1	55.4	45.3	37.3	28.3	63.7	3.8	61.6	58.6	55.7	45.1	35.6	25.6		
2000	77	79.7	3.5	53.8	41.2	28.7	-	-	-	74.9	3.4	50.1	36.3	22.4	-	-	-		
	72	75.9	3.4	60.5	49.8	39.1	28.3	-	-	71.4	3.9	55.2	45.3	35.4	25.4	-	-		
	67	72.0	3.4	67.2	58.3	49.4	39.0	28.5	-	67.8	4.3	60.4	54.3	48.3	37.4	26.5	-		
	62	70.5	3.4	68.7	64.2	59.8	48.8	39.4	29.1	66.6	3.8	65.0	63.1	61.2	49.0	37.5	25.7		
2250	77	77.5	3.5	65.2	53.1	41.1	29.1	-	-	72.5	3.9	58.1	47.3	36.5	25.7	-	-		
	72	74.9	3.4	71.2	61.9	52.7	41.0	29.2	-	70.4	4.5	62.6	57.1	51.6	39.4	27.2	-		
	67	74.0	3.4	72.6	68.4	64.2	52.4	41.4	30.0	69.6	3.8	68.4	67.6	66.7	52.9	39.5	25.8		
	62	73.4	3.4	73.4	73.4	73.4	64.7	53.6	42.5	68.9	3.1	68.9	68.9	68.9	66.8	51.7	36.7		
2500	77	79.0	3.5	69.9	56.5	43.2	29.8	-	-	73.7	3.9	61.0	49.4	37.7	26.1	-	-		
	72	77.8	3.4	75.2	65.5	55.9	42.9	30.0	-	72.9	4.8	64.9	60.0	55.0	41.4	27.9	-		
	67	77.4	3.4	76.5	72.6	68.6	56.0	43.5	30.9	72.5	3.8	71.9	71.9	71.9	56.8	41.4	26.0		
	62	77.0	3.4	77.0	77.0	77.0	69.1	56.9	44.8	72.1	2.9	72.1	72.1	72.1	72.1	54.9	37.6		
				95°F								105°F							
1250	77	72.1	4.7	41.5	33.1	24.8	-	-	-	65.0	5.3	38.6	30.7	22.7	-	-	-		
	72	64.6	4.2	46.6	38.7	30.8	22.9	-	-	59.3	4.9	43.9	36.3	28.7	21.2	-	-		
	67	57.0	3.7	51.8	44.3	36.8	29.7	22.6	-	53.9	4.6	49.2	42.0	34.8	27.8	20.8	-		
	62	55.3	4.1	52.6	47.7	42.7	36.5	30.3	24.1	52.2	4.8	49.7	45.3	40.8	34.4	28.0	21.6		
1500	77	71.4	4.3	43.1	32.5	22.0	-	-	-	65.0	5.0	41.1	30.9	20.6	-	-	-		
	72	65.3	4.2	47.8	39.4	31.1	22.8	-	-	60.5	4.9	45.8	37.6	29.4	21.2	-	-		
	67	59.2	4.2	52.4	46.3	40.2	31.7	23.3	-	55.9	4.9	50.4	44.3	38.1	29.8	21.4	-		
	62	57.8	4.2	55.5	52.4	49.4	40.7	32.1	23.5	54.5	4.8	52.5	49.7	46.9	38.4	29.8	21.2		
1750	77	70.8	3.8	44.8	31.9	19.1	-	-	-	65.0	4.7	43.7	31.1	18.5	-	-	-		
	72	66.1	4.3	48.9	40.1	31.4	22.6	-	-	61.6	4.9	47.6	38.8	30.0	21.2	-	-		
	67	61.4	4.7	53.0	48.3	43.7	33.8	23.9	-	58.0	5.2	51.6	46.5	41.5	31.7	22.0	-		
	62	60.2	4.2	58.4	57.2	56.0	44.9	33.9	22.9	56.9	4.8	55.3	54.1	53.0	42.3	31.6	20.9		
2000	77	70.1	3.4	46.4	31.3	16.2	-	-	-	65.1	4.3	46.2	31.3	16.3	-	-	-		
	72	66.8	4.3	50.0	40.8	31.7	22.5	-	-	62.7	4.9	49.5	40.0	30.6	21.2	-	-		
	67	63.6	5.2	53.6	50.3	47.1	35.8	24.5	-	60.0	5.5	52.8	48.8	44.9	33.7	22.6	-		
	62	62.7	4.2	61.4	61.4	61.4	49.2	35.7	22.3	59.2	4.8	58.0	58.0	58.0	46.3	33.5	20.6		
2250	77	67.6	4.3	51.1	41.5	32.0	22.4	-	-	63.8	4.9	51.4	41.3	31.2	21.1	-	-		
	72	65.8	5.6	54.1	52.4	50.6	37.9	25.2	-	62.0	5.8	54.0	51.1	48.2	35.7	23.2	-		
	67	65.1	4.2	64.3	64.3	64.3	53.4	37.5	21.7	61.5	4.9	60.8	60.8	60.8	50.3	35.3	20.3		
	62	64.5	2.8	64.5	64.5	64.5	64.5	49.9	30.9	60.9	3.9	60.9	60.9	60.9	60.9	47.4	29.9		
2500	77	68.3	4.3	52.2	42.2	32.3	22.3	-	-	64.9	4.9	53.2	42.5	31.8	21.1	-	-		
	72	68.0	6.1	54.7	54.4	54.1	39.9	25.8	-	64.1	6.1	55.2	53.4	51.6	37.7	23.8	-		
	67	67.6	4.3	67.2	67.2	67.2	57.6	39.3	21.1	63.8	4.9	63.5	63.5	63.5	54.2	37.1	20.0		
	62	67.2	2.4	67.2	67.2	67.2	67.2	52.9	30.5	63.5	3.6	63.5	63.5	63.5	63.5	50.4	30.1		

ZY06 (5.0 Ton) (Continued)

Air on Evaporator Coil		Temperature of Air on Condenser Coil															
		Total Capacity ¹ (MBh)	Total Input (kW) ²	Sensible Capacity (MBh)						Total Capacity ¹ (MBh)	Total Input (kW) ²	Sensible Capacity (MBh)					
				Return Dry Bulb (°F)								Return Dry Bulb (°F)					
				90	85	80	75	70	65			90	85	80	75	70	65
		115°F								125°F							
1250	77	57.8	5.9	35.8	28.2	20.6	-	-	-	50.6	6.4	33.0	25.7	18.5	-	-	-
	72	54.1	5.7	41.2	33.9	26.7	19.5	-	-	48.9	6.4	38.4	31.5	24.6	17.8	-	-
	67	50.8	5.4	46.5	39.7	32.8	25.9	18.9	-	47.6	6.3	43.9	37.3	30.8	23.9	17.1	-
	62	49.1	5.5	46.9	42.9	38.9	32.3	25.6	19.0	46.0	6.2	44.1	40.5	36.9	30.1	23.3	16.5
1500	77	58.5	5.7	39.2	29.2	19.2	-	-	-	52.1	6.4	37.2	27.5	17.9	-	-	-
	72	55.6	5.6	43.8	35.7	27.6	19.6	-	-	50.7	6.3	41.8	33.9	25.9	18.0	-	-
	67	52.6	5.6	48.4	42.2	36.1	27.8	19.5	-	49.4	6.2	46.4	40.2	34.0	25.8	17.6	-
	62	51.3	5.5	49.5	47.0	44.5	36.0	27.5	19.0	48.0	6.2	46.5	44.3	42.0	33.6	25.2	16.8
	57	49.9	5.4	49.9	49.9	49.9	44.2	35.5	26.8	46.7	6.1	46.6	46.6	46.6	41.4	32.8	24.1
1750	77	59.3	5.5	42.6	30.2	17.8	-	-	-	53.6	6.3	41.5	29.4	17.2	-	-	-
	72	57.1	5.6	46.4	37.5	28.6	19.7	-	-	52.5	6.2	45.2	36.2	27.2	18.2	-	-
	67	54.5	5.7	50.2	44.8	39.3	29.7	20.0	-	51.1	6.2	48.8	43.0	37.1	27.6	18.1	-
	62	53.5	5.5	52.1	51.1	50.1	39.7	29.3	19.0	50.1	6.1	48.9	48.0	47.1	37.1	27.0	17.0
	57	52.4	5.3	52.4	52.4	52.4	49.7	38.6	27.5	49.1	6.1	49.0	49.0	49.0	46.5	36.0	25.4
2000	77	60.1	5.3	46.0	31.2	16.4	-	-	-	55.0	6.2	45.8	31.2	16.6	-	-	-
	72	58.5	5.5	49.0	39.3	29.5	19.8	-	-	54.4	6.2	48.5	38.5	28.4	18.4	-	-
	67	56.4	5.8	52.0	47.3	42.6	31.6	20.6	-	52.8	6.2	51.3	45.8	40.3	29.5	18.6	-
	62	55.6	5.5	54.7	54.7	54.7	43.4	31.2	18.9	52.1	6.1	51.4	51.4	51.4	40.6	28.9	17.2
	57	54.9	5.1	54.9	54.9	54.9	54.9	41.7	28.2	51.5	6.1	51.4	51.4	51.4	51.4	39.2	26.7
2250	72	60.0	5.5	51.6	41.0	30.5	19.9	-	-	56.2	6.1	51.9	40.8	29.7	18.6	-	-
	67	58.3	6.0	53.9	49.9	45.9	33.5	21.2	-	54.5	6.1	53.7	48.6	43.5	31.3	19.2	-
	62	57.8	5.5	57.3	57.3	57.3	47.1	33.0	18.9	54.2	6.1	53.8	53.8	53.8	44.0	30.8	17.5
	57	57.4	5.0	57.4	57.4	57.4	57.4	44.9	29.0	53.8	6.1	53.8	53.8	53.8	53.8	42.4	28.0
2500	72	61.4	5.5	54.2	42.8	31.4	20.0	-	-	58.0	6.0	55.3	43.1	31.0	18.8	-	-
	67	60.1	6.1	55.7	52.4	49.1	35.4	21.7	-	56.2	6.1	56.2	51.4	46.7	33.2	19.7	-
	62	60.0	5.5	59.9	59.9	59.9	50.9	34.9	18.9	56.2	6.1	56.2	56.2	56.2	47.5	32.6	17.7
	57	59.9	4.8	59.9	59.9	59.9	59.9	48.0	29.7	56.2	6.1	56.2	56.2	56.2	56.2	45.6	29.3

1. These capacities are gross ratings. For net capacity, deduct the supply air blower motor heat (MBh = 3.415 x kW). Refer to the appropriate Blower Performance Table for the kW of the supply air blower motor.
2. These ratings include the condenser fan motors (total 1 kW) and the compressor motors but not the supply air blower motor.

ZY07 (6.0 Ton)

Air on Evaporator Coil		Temperature of Air on Condenser Coil																	
		Total Capacity ¹ (MBh)	Total Input (kW) ²	Sensible Capacity (MBh) Return Dry Bulb (°F)						Total Capacity ¹ (MBh)	Total Input (kW) ²	Sensible Capacity (MBh) Return Dry Bulb (°F)							
CFM	WB (°F)			90	85	80	75	70	65			90	85	80	75	70	65		
				75°F								85°F							
1500	77	95.1	4.3	46.6	38.7	30.7	-	-	-	91.0	4.6	44.6	35.0	25.4	-	-	-		
	72	86.6	4.1	57.1	48.6	40.2	31.7	-	-	82.7	4.6	55.3	45.8	36.3	26.9	-	-		
	67	78.1	4.0	67.6	58.6	49.6	40.0	31.7	-	74.5	4.5	65.9	56.6	47.3	37.0	27.4	-		
	62	77.0	4.0	71.7	65.4	59.1	46.4	40.2	30.7	73.5	4.4	69.7	64.0	58.3	46.2	37.4	27.0		
1800	77	95.2	4.3	52.5	42.1	31.7	-	-	-	91.3	4.6	50.9	40.5	30.1	-	-	-		
	72	88.3	4.2	62.1	52.3	42.5	32.7	-	-	84.6	4.6	60.5	50.6	40.8	31.0	-	-		
	67	81.3	4.1	71.8	62.6	53.4	42.5	32.8	-	77.8	4.5	70.0	60.7	51.5	41.0	30.9	-		
	62	80.1	4.0	75.3	69.7	64.2	50.8	42.7	31.9	76.8	4.5	73.0	67.6	62.2	50.1	40.7	30.0		
2100	77	95.4	4.3	58.3	45.5	32.7	-	-	-	91.7	4.7	57.3	46.1	34.9	-	-	-		
	72	90.0	4.2	67.2	56.0	44.9	33.7	-	-	86.4	4.6	65.7	55.5	45.3	35.1	-	-		
	67	84.5	4.1	76.1	66.6	57.1	45.1	33.9	-	81.1	4.6	74.0	64.9	55.7	44.9	34.4	-		
	62	83.1	4.1	78.8	74.0	69.3	55.3	45.2	33.1	80.0	4.5	76.4	71.3	66.1	54.1	44.0	33.0		
2400	77	95.5	4.3	64.2	48.9	33.7	-	-	-	92.0	4.7	63.6	51.6	39.6	-	-	-		
	72	91.6	4.2	72.2	59.8	47.3	34.8	-	-	88.2	4.6	70.9	60.3	49.7	39.2	-	-		
	67	87.7	4.1	80.3	70.6	60.8	47.6	35.0	-	84.5	4.6	78.1	69.0	59.9	48.8	38.0	-		
	62	86.2	4.1	82.3	78.4	74.4	59.7	47.7	34.4	83.2	4.6	79.8	74.9	70.0	58.0	47.3	36.0		
2700	77	93.3	4.3	77.3	63.5	49.6	35.8	-	-	90.1	4.7	76.1	65.1	54.2	43.3	-	-		
	72	90.9	4.2	84.6	74.6	64.5	50.2	36.1	-	87.8	4.6	82.2	73.1	64.1	52.7	41.5	-		
	67	89.3	4.2	85.8	82.7	79.5	64.2	50.2	35.6	86.5	4.6	83.2	78.6	73.9	61.9	50.6	38.9		
	62	87.6	4.2	87.1	87.1	87.1	79.4	64.4	49.3	85.1	4.6	84.2	83.6	82.9	71.7	59.7	47.7		
3000	77	95.0	4.3	82.3	67.2	52.0	36.8	-	-	91.9	4.7	81.3	70.0	58.7	47.4	-	-		
	72	94.1	4.2	88.8	78.6	68.3	52.7	37.2	-	91.1	4.6	86.3	77.2	68.2	56.6	45.0	-		
	67	92.3	4.2	89.4	87.0	84.6	68.7	52.7	36.8	89.7	4.6	86.6	82.2	77.8	65.8	53.9	41.9		
	62	90.5	4.2	89.9	89.9	89.9	84.6	68.3	52.0	88.2	4.7	87.0	87.0	87.0	75.1	62.8	50.5		
				95°F								105°F							
1500	77	86.9	5.0	42.6	31.3	20.1	-	-	-	80.8	5.6	40.9	30.9	20.8	-	-	-		
	72	78.8	5.0	53.4	43.0	32.5	22.1	-	-	73.5	5.6	51.4	41.6	31.9	22.1	-	-		
	67	70.8	5.0	64.2	54.6	45.0	34.1	23.2	-	66.6	5.6	61.9	52.4	42.9	32.8	22.7	-		
	62	70.1	4.9	67.6	62.5	57.4	46.1	34.7	23.4	66.1	5.6	64.2	59.1	53.9	43.5	33.1	22.7		
1800	77	87.4	5.0	49.4	39.0	28.6	-	-	-	81.1	5.7	47.4	36.9	26.5	-	-	-		
	72	80.8	5.0	58.8	48.9	39.1	29.2	-	-	75.5	5.7	56.4	46.6	36.8	27.1	-	-		
	67	74.3	5.0	68.1	58.9	49.6	39.4	29.1	-	69.8	5.6	65.3	56.3	47.2	37.1	26.9	-		
	62	73.5	4.9	70.8	65.5	60.1	49.5	38.8	28.1	69.3	5.6	67.2	62.4	57.6	47.1	36.5	26.0		
2100	77	87.9	5.0	56.3	46.6	37.0	-	-	-	81.5	5.7	53.9	43.0	32.1	-	-	-		
	72	82.8	5.0	64.1	54.9	45.7	36.4	-	-	77.4	5.7	61.3	51.5	41.8	32.0	-	-		
	67	77.8	5.0	72.0	63.1	54.3	44.6	35.0	-	73.0	5.7	68.7	60.1	51.5	41.3	31.1	-		
	62	76.9	4.9	74.1	68.5	62.9	52.9	42.8	32.8	72.4	5.6	70.1	65.7	61.2	50.6	40.0	29.4		
2400	77	88.5	5.1	63.1	54.3	45.5	-	-	-	81.8	5.7	60.4	49.1	37.7	-	-	-		
	72	84.8	5.0	69.5	60.9	52.2	43.6	-	-	79.3	5.7	66.3	56.5	46.7	37.0	-	-		
	67	81.2	5.0	75.9	67.4	58.9	49.9	40.9	-	76.2	5.7	72.1	63.9	55.8	45.5	35.3	-		
	62	80.3	5.0	77.3	71.5	65.6	56.2	46.9	37.5	75.5	5.7	73.1	68.9	64.8	54.1	43.4	32.7		
2700	77	86.8	5.1	74.9	66.8	58.8	50.7	-	-	81.3	5.7	71.2	61.5	51.7	42.0	-	-		
	72	84.7	5.0	79.8	71.7	63.6	55.2	46.8	-	79.4	5.7	75.5	67.8	60.1	49.8	39.5	-		
	67	83.7	5.0	80.6	74.5	68.3	59.6	50.9	42.3	78.6	5.7	76.1	72.2	68.4	57.6	46.8	36.0		
	62	82.6	5.0	81.4	77.2	73.1	64.1	55.1	46.0	77.9	5.7	76.6	76.6	76.6	65.5	54.1	42.8		
3000	77	88.8	5.1	80.2	72.8	65.4	57.9	-	-	83.2	5.7	76.2	66.4	56.7	46.9	-	-		
	72	88.2	5.0	83.7	75.9	68.2	60.5	52.7	-	82.6	5.7	78.9	71.6	64.4	54.0	43.7	-		
	67	87.1	5.1	83.8	77.4	71.0	63.0	55.0	47.0	81.8	5.7	79.0	75.5	72.0	61.1	50.2	39.3		
	62	86.0	5.1	84.0	79.0	73.9	65.6	57.3	48.9	80.9	5.7	79.2	79.2	79.2	68.3	56.8	45.3		

ZY07 (6.0 Ton) (Continued)

Air on Evaporator Coil		Temperature of Air on Condenser Coil															
CFM	WB (°F)	Total Capacity ¹ (MBh)	Total Input (kW) ²	Sensible Capacity (MBh)						Total Capacity ¹ (MBh)	Total Input (kW) ²	Sensible Capacity (MBh)					
				Return Dry Bulb (°F)								Return Dry Bulb (°F)					
				90	85	80	75	70	65			90	85	80	75	70	65
				115°F						125°F							
1500	77	74.7	6.3	39.2	30.4	21.6	-	-	-	68.7	7.0	37.5	29.9	22.4	-	-	-
	72	68.2	6.3	49.4	40.3	31.2	22.1	-	-	62.9	7.0	47.4	39.0	30.6	22.1	-	-
	67	62.4	6.3	59.7	50.2	40.8	31.6	22.3	-	58.2	7.0	57.4	48.1	38.8	30.3	21.8	-
	62	62.2	6.2	60.8	55.6	50.4	41.0	31.5	22.1	58.3	6.9	57.5	52.2	47.0	38.4	29.9	21.4
1800	77	74.9	6.3	45.4	34.9	24.4	-	-	-	68.6	7.0	43.3	32.8	22.3	-	-	-
	72	70.1	6.3	53.9	44.3	34.6	24.9	-	-	64.7	7.0	51.5	41.9	32.3	22.7	-	-
	67	65.4	6.3	62.5	53.7	44.8	34.8	24.8	-	60.9	7.0	59.7	51.0	42.3	32.5	22.6	-
	62	65.1	6.3	63.5	59.2	55.0	44.6	34.3	24.0	60.8	6.9	59.9	56.1	52.4	42.2	32.1	21.9
57	64.7	6.2	64.5	64.5	64.5	54.5	43.9	33.2	60.8	6.9	60.0	60.0	60.0	52.0	41.6	31.2	31.2
2100	77	75.0	6.3	51.5	39.3	27.1	-	-	-	68.5	7.0	49.2	35.7	22.2	-	-	-
	72	72.0	6.3	58.5	48.2	37.9	27.6	-	-	66.6	7.0	55.7	44.9	34.1	23.3	-	-
	67	68.3	6.3	65.4	57.1	48.7	38.0	27.2	-	63.5	7.0	62.1	54.0	45.9	34.6	23.4	-
	62	67.9	6.3	66.2	62.8	59.5	48.3	37.1	25.9	63.4	7.0	62.2	60.0	57.8	46.0	34.2	22.5
57	67.5	6.3	66.9	66.9	66.9	58.6	47.0	35.3	63.3	6.9	62.3	62.3	62.3	57.4	45.1	32.9	32.9
2400	77	75.1	6.4	57.7	43.8	29.9	-	-	-	68.4	7.0	55.0	38.6	22.1	-	-	-
	72	73.9	6.3	63.0	52.1	41.3	30.4	-	-	68.4	7.0	59.8	47.8	35.8	23.8	-	-
	67	71.2	6.3	68.3	60.5	52.6	41.2	29.7	-	66.2	7.0	64.5	57.0	49.5	36.8	24.1	-
	62	70.8	6.3	68.8	66.4	64.0	52.0	39.9	27.8	66.0	7.0	64.6	63.9	63.2	49.8	36.4	23.0
57	70.3	6.3	69.4	69.4	69.4	62.7	50.1	37.4	65.8	7.0	64.7	64.7	64.7	62.8	48.7	34.6	34.6
2700	72	75.7	6.4	67.5	56.1	44.6	33.2	-	-	70.2	7.0	63.9	50.7	37.5	24.4	-	-
	67	74.1	6.3	71.2	63.9	56.6	44.4	32.2	-	68.8	7.0	66.9	60.0	53.1	39.0	24.9	-
	62	73.6	6.3	71.5	70.0	68.5	55.6	42.7	29.8	68.6	7.0	67.0	67.0	67.0	53.6	38.6	23.5
	57	73.1	6.4	71.8	71.8	71.8	66.8	53.2	39.5	68.3	7.0	67.1	67.1	67.1	67.1	52.2	36.3
3000	72	77.6	6.4	72.1	60.0	48.0	35.9	-	-	72.0	7.0	68.0	53.6	39.3	24.9	-	-
	67	77.1	6.3	74.1	67.3	60.5	47.6	34.7	-	71.5	7.0	69.3	63.0	56.7	41.2	25.7	-
	62	76.5	6.4	74.2	73.6	73.0	59.3	45.5	31.7	71.2	7.0	69.4	69.4	69.4	57.4	40.7	24.1
	57	75.9	6.4	74.3	74.3	74.3	70.9	56.3	41.6	70.8	7.1	69.4	69.4	69.4	69.4	55.8	38.0

1. These capacities are gross ratings. For net capacity, deduct the supply air blower motor heat (MBh = 3.415 x kW). Refer to the appropriate Blower Performance Table for the kW of the supply air blower motor.
2. These ratings include the condenser fan motors (total 1 kW) and the compressor motors but not the supply air blower motor.

ZY08 (7.5 Ton)

Air on Evaporator Coil		Temperature of Air on Condenser Coil															
CFM	WB (°F)	Total Capacity ¹ (MBh)	Total Input (kW) ²	Sensible Capacity (MBh)						Total Capacity ¹ (MBh)	Total Input (kW) ²	Sensible Capacity (MBh)					
				Return Dry Bulb (°F)								Return Dry Bulb (°F)					
				90	85	80	75	70	65			90	85	80	75	70	65
				75°F						85°F							
1875	77	118.6	5.2	62.2	53.7	45.2	-	-	-	106.8	5.8	59.9	51.4	43.0	-	-	-
	72	107.7	5.2	73.3	63.4	53.6	43.8	-	-	102.0	5.8	70.6	61.0	51.3	41.6	-	-
	67	96.9	5.2	84.4	73.2	62.0	52.2	42.8	-	91.7	5.9	81.4	70.5	59.6	49.7	40.0	-
	62	93.3	5.2	92.3	81.4	70.4	59.4	51.7	42.4	89.5	5.9	88.6	78.2	67.8	57.1	48.1	38.2
2250	77	119.6	5.2	69.3	56.9	44.5	-	-	-	113.0	5.8	67.0	54.3	41.6	-	-	-
	72	110.3	5.2	79.7	67.8	55.9	43.9	-	-	104.4	5.9	77.0	65.0	53.1	41.2	-	-
	67	101.0	5.2	90.2	78.7	67.2	55.1	43.4	-	95.8	5.9	87.0	75.8	64.7	52.6	40.7	-
	62	98.1	5.2	96.9	87.7	78.5	65.3	54.8	43.0	94.0	5.9	92.9	84.6	76.2	63.4	52.0	39.9
2625	77	120.7	5.2	76.4	60.1	43.8	-	-	-	113.7	5.8	74.1	57.1	40.2	-	-	-
	72	112.9	5.2	86.2	72.1	58.1	44.0	-	-	106.7	5.9	83.3	69.1	55.0	40.8	-	-
	67	105.2	5.3	96.0	84.2	72.3	58.0	44.0	-	99.8	5.9	92.5	81.1	69.8	55.5	41.3	-
	62	103.0	5.2	101.5	94.1	86.6	71.3	57.9	43.6	98.4	5.9	97.3	90.9	84.6	69.8	55.9	41.6
3000	77	121.7	5.2	83.5	63.3	43.1	-	-	-	114.4	5.9	81.2	59.9	38.7	-	-	-
	72	115.5	5.2	92.6	76.5	60.3	44.1	-	-	109.1	5.9	89.6	73.2	56.8	40.4	-	-
	67	109.3	5.3	101.8	89.6	77.5	60.9	44.5	-	103.8	5.9	98.1	86.5	74.9	58.3	41.9	-
	62	107.8	5.2	106.1	100.4	94.7	77.2	61.0	44.2	102.9	5.9	101.6	97.3	93.0	76.1	59.9	43.3
3375	72	118.1	5.3	99.1	80.8	62.5	44.3	-	-	111.5	5.9	96.0	77.3	58.6	40.0	-	-
	67	113.5	5.3	107.6	95.1	82.7	63.8	45.1	-	107.9	5.9	103.6	91.8	80.0	61.2	42.6	-
	62	112.6	5.2	110.7	106.7	102.8	83.1	64.1	44.8	107.3	5.9	106.0	103.6	101.3	82.4	63.8	45.0
	57	112.1	5.2	112.1	112.1	112.1	103.1	83.2	63.4	106.9	5.8	106.9	106.9	106.9	103.9	85.0	66.2
3750	72	120.7	5.3	105.6	85.2	64.8	44.4	-	-	113.9	5.9	102.3	81.4	60.5	39.6	-	-
	67	117.6	5.3	113.4	100.6	87.8	66.7	45.6	-	111.9	5.9	109.2	97.1	85.1	64.1	43.2	-
	62	117.4	5.2	115.3	113.1	110.9	89.0	67.2	45.4	111.7	5.9	110.3	110.0	109.7	88.7	67.7	46.7
	57	117.2	5.2	117.1	117.1	117.1	111.4	88.9	66.3	111.6	5.8	111.4	111.4	111.4	111.4	92.3	71.2
				95°F						105°F							
1875	77	95.0	6.3	57.5	49.2	40.9	-	-	-	89.4	7.4	54.8	46.1	37.5	-	-	-
	72	96.2	6.5	68.0	58.5	49.0	39.5	-	-	89.1	7.5	65.4	55.7	46.0	36.3	-	-
	67	86.6	6.7	78.5	67.8	57.1	47.1	37.2	-	81.6	7.6	76.0	65.3	54.5	44.4	34.4	-
	62	85.7	6.5	84.8	75.0	65.2	54.8	44.4	34.0	81.0	7.5	80.2	71.6	63.0	52.6	42.2	31.7
2250	77	106.3	6.4	64.6	51.6	38.7	-	-	-	97.8	7.4	62.0	48.9	35.8	-	-	-
	72	98.4	6.5	74.2	62.3	50.4	38.5	-	-	91.6	7.5	71.3	59.4	47.6	35.7	-	-
	67	90.5	6.6	83.8	73.0	62.1	50.0	37.9	-	85.3	7.6	80.6	69.9	59.3	47.1	35.0	-
	62	89.8	6.5	88.9	81.4	73.9	61.5	49.2	36.8	84.8	7.5	84.1	77.5	71.0	58.6	46.2	33.8
2625	77	106.7	6.4	71.7	54.1	36.5	-	-	-	99.0	7.4	69.2	51.7	34.2	-	-	-
	72	100.6	6.5	80.4	66.1	51.8	37.6	-	-	94.0	7.5	77.2	63.2	49.1	35.1	-	-
	67	94.4	6.6	89.1	78.1	67.2	52.9	38.6	-	89.0	7.6	85.2	74.6	64.0	49.8	35.6	-
	62	93.9	6.5	93.0	87.8	82.5	68.2	53.9	39.6	88.6	7.5	87.9	83.4	78.9	64.6	50.2	35.9
3000	77	107.1	6.5	78.8	56.6	34.3	-	-	-	100.1	7.5	76.4	54.5	32.6	-	-	-
	72	102.8	6.5	86.6	69.9	53.3	36.6	-	-	96.4	7.5	83.1	66.9	50.7	34.5	-	-
	67	98.4	6.6	94.4	83.3	72.2	55.8	39.3	-	92.7	7.5	89.8	79.3	68.8	52.5	36.3	-
	62	97.9	6.5	97.1	94.2	91.2	75.0	58.7	42.5	92.3	7.5	91.7	89.3	86.8	70.6	54.3	38.0
3375	77	104.9	6.5	92.8	73.8	54.7	35.7	-	-	98.8	7.5	89.1	70.7	52.3	33.9	-	-
	72	102.3	6.5	99.7	88.5	77.3	58.7	40.1	-	96.3	7.5	94.5	84.0	73.5	55.2	36.9	-
	67	102.0	6.5	101.2	100.6	99.9	81.7	63.5	45.3	96.1	7.5	95.5	95.1	94.8	76.6	58.3	40.1
	57	101.7	6.4	101.7	101.7	101.7	86.9	69.1	-	95.9	7.4	95.9	95.9	95.9	95.9	79.8	61.6
3750	72	107.1	6.6	99.0	77.6	56.2	34.7	-	-	101.2	7.5	95.0	74.4	53.8	33.3	-	-
	67	106.3	6.5	105.0	93.7	82.3	61.6	40.8	-	100.0	7.5	99.1	88.7	78.3	57.9	37.6	-
	62	106.1	6.5	105.3	105.3	105.3	88.4	68.2	48.1	99.9	7.5	99.3	99.3	99.3	82.5	62.4	42.2
	57	105.9	6.5	105.7	105.7	105.7	105.7	95.7	76.2	99.8	7.4	99.6	99.6	99.6	99.6	87.2	67.2

ZY08 (7.5 Ton) (Continued)

Air on Evaporator Coil		Temperature of Air on Condenser Coil															
CFM	WB (°F)	Total Capacity ¹ (MBh)	Total Input (kW) ²	Sensible Capacity (MBh)						Total Capacity ¹ (MBh)	Total Input (kW) ²	Sensible Capacity (MBh)					
				Return Dry Bulb (°F)								Return Dry Bulb (°F)					
				90	85	80	75	70	65			90	85	80	75	70	65
				115°F						125°F							
1875	77	83.8	8.5	52.1	43.1	34.1	-	-	-	78.3	9.5	49.4	40.0	30.7	-	-	-
	72	82.1	8.5	62.8	52.9	43.0	33.1	-	-	75.0	9.5	60.2	50.1	40.0	29.9	-	-
	67	76.7	8.6	73.5	62.7	51.9	41.7	31.5	-	71.7	9.5	71.1	60.2	49.3	39.0	28.7	-
	62	76.2	8.5	75.7	68.3	60.9	50.4	39.9	29.4	71.5	9.5	71.1	64.9	58.7	48.1	37.6	27.1
2250	77	89.3	8.5	59.4	46.2	33.0	-	-	-	80.9	9.5	56.8	43.5	30.2	-	-	-
	72	84.7	8.5	68.4	56.6	44.7	32.8	-	-	77.9	9.5	65.6	53.7	41.8	30.0	-	-
	67	80.1	8.5	77.5	66.9	56.4	44.2	32.1	-	74.9	9.5	74.3	63.9	53.5	41.3	29.2	-
	62	79.7	8.5	79.2	73.6	68.1	55.6	43.2	30.8	74.7	9.5	74.3	69.7	65.2	52.7	40.2	27.8
2625	77	91.2	8.5	66.7	49.4	32.0	-	-	-	83.4	9.5	64.2	47.0	29.7	-	-	-
	72	87.4	8.5	74.1	60.2	46.4	32.6	-	-	80.8	9.5	70.9	57.3	43.7	30.1	-	-
	67	83.5	8.5	81.4	71.1	60.8	46.7	32.7	-	78.1	9.4	77.5	67.6	57.7	43.7	29.7	-
	62	83.2	8.5	82.7	79.0	75.3	60.9	46.6	32.2	77.9	9.5	77.6	74.6	71.6	57.2	42.9	28.5
3000	77	93.1	8.5	74.0	52.5	30.9	-	-	-	86.0	9.5	71.6	50.4	29.2	-	-	-
	72	90.0	8.5	79.7	63.9	48.1	32.3	-	-	83.6	9.4	76.2	60.9	45.5	30.2	-	-
	67	86.9	8.5	85.3	75.3	65.3	49.3	33.2	-	81.2	9.4	80.8	71.3	61.8	46.0	30.2	-
	62	86.7	8.5	86.3	84.4	82.5	66.2	49.9	33.6	81.1	9.4	80.8	79.5	78.1	61.8	45.5	29.2
3375	72	92.7	8.5	85.3	67.6	49.8	32.1	-	-	86.5	9.4	81.5	64.5	47.4	30.3	-	-
	67	90.4	8.4	89.2	79.5	69.7	51.8	33.8	-	84.4	9.4	84.0	75.0	66.0	48.3	30.6	-
	62	90.2	8.4	89.8	89.7	89.7	71.4	53.2	35.0	84.3	9.4	84.1	84.1	84.1	66.3	48.1	29.8
	57	90.0	8.4	90.0	90.0	90.0	90.0	72.6	54.2	84.2	9.4	84.1	84.1	84.1	84.1	65.5	46.7
3750	72	95.3	8.5	90.9	71.2	51.5	31.8	-	-	89.4	9.4	86.9	68.0	49.2	30.4	-	-
	67	93.8	8.4	93.2	83.7	74.2	54.3	34.3	-	87.6	9.3	87.3	78.7	70.1	50.6	31.1	-
	62	93.7	8.4	93.3	93.3	93.3	76.7	56.5	36.4	87.5	9.4	87.3	87.3	87.3	70.9	50.7	30.5
	57	93.6	8.4	93.5	93.5	93.5	93.5	78.7	58.3	87.4	9.4	87.4	87.4	87.4	87.4	70.3	49.4

1. These capacities are gross ratings. For net capacity, deduct the supply air blower motor heat (MBh = 3.415 x kW). Refer to the appropriate Blower Performance Table for the kW of the supply air blower motor.
2. These ratings include the condenser fan motors (total 1 kW) and the compressor motors but not the supply air blower motor.

ZY09 (8.5 Ton)

Air on Evaporator Coil		Temperature of Air on Condenser Coil															
CFM	WB (°F)	Total Capacity ¹ (MBh)	Total Input (kW) ²	Sensible Capacity (MBh)						Total Capacity ¹ (MBh)	Total Input (kW) ²	Sensible Capacity (MBh)					
				Return Dry Bulb (°F)								Return Dry Bulb (°F)					
				90	85	80	75	70	65			90	85	80	75	70	65
				75°F						85°F							
2125	77	129.6	5.9	67.0	57.1	47.1	-	-	-	123.8	6.5	64.6	54.4	44.2	-	-	-
	72	121.7	5.8	83.1	71.2	59.2	47.2	-	-	116.0	6.5	80.7	68.5	56.3	44.1	-	-
	67	113.7	5.8	99.3	85.3	71.2	58.7	46.8	-	108.2	6.5	96.7	82.6	68.4	56.0	43.9	-
	62	112.3	5.7	107.4	95.3	83.3	67.6	58.5	46.0	106.3	6.5	102.3	91.4	80.6	66.6	55.9	43.6
2550	77	132.2	5.9	75.2	60.8	46.4	-	-	-	125.7	6.6	73.3	58.6	43.9	-	-	-
	72	124.6	5.9	90.1	75.9	61.6	47.3	-	-	118.6	6.5	87.7	73.3	58.9	44.6	-	-
	67	117.1	5.8	105.1	90.9	76.8	61.9	47.6	-	111.5	6.5	102.0	88.0	74.0	59.3	44.8	-
	62	115.5	5.8	111.5	101.8	92.1	74.4	62.1	47.1	109.8	6.5	106.5	97.8	89.1	72.9	59.4	44.5
2975	77	134.7	6.0	83.4	64.5	45.6	-	-	-	127.6	6.6	82.0	62.8	43.6	-	-	-
	72	127.6	5.9	97.1	80.6	64.0	47.5	-	-	121.3	6.6	94.6	78.1	61.6	45.1	-	-
	67	120.5	5.8	110.8	96.6	82.4	65.2	48.3	-	114.9	6.5	107.2	93.4	79.6	62.5	45.7	-
	62	118.7	5.8	115.7	108.3	100.8	81.3	65.7	48.1	113.2	6.5	110.6	104.1	97.6	79.2	62.8	45.3
3400	77	137.3	6.0	91.5	68.2	44.8	-	-	-	129.5	6.6	90.7	67.0	43.3	-	-	-
	72	130.6	5.9	104.1	85.2	66.4	47.6	-	-	123.9	6.6	101.6	82.9	64.2	45.6	-	-
	67	123.9	5.8	116.6	102.3	88.0	68.4	49.0	-	118.3	6.6	112.4	98.8	85.2	65.8	46.5	-
	62	121.9	5.8	119.9	114.7	109.6	88.1	69.3	49.1	116.7	6.5	114.8	110.4	106.1	85.5	66.2	46.2
3825	77	133.6	6.0	111.0	89.9	68.8	47.7	-	-	126.5	6.6	108.5	87.7	66.9	46.1	-	-
	72	127.3	5.9	122.4	108.0	93.6	71.6	49.7	-	121.6	6.6	117.6	104.2	90.7	69.0	47.4	-
	67	125.1	5.9	124.1	121.2	118.3	94.9	72.8	50.1	120.1	6.6	118.9	116.8	114.6	91.7	69.6	47.1
	62	124.6	5.9	124.6	124.6	119.5	96.0	72.4	-	119.5	6.5	119.5	119.5	119.5	115.1	91.7	68.4
4250	72	136.6	6.0	118.0	94.6	71.2	47.8	-	-	129.2	6.6	115.5	92.5	69.5	46.5	-	-
	67	130.7	5.9	128.2	113.6	99.1	74.8	50.4	-	125.0	6.6	122.8	109.6	96.3	72.3	48.3	-
	62	128.2	5.9	128.2	127.6	127.0	101.7	76.4	51.1	123.5	6.6	123.1	123.1	123.1	98.0	73.0	47.9
	57	128.2	5.9	128.2	128.2	128.2	102.4	76.2	-	123.3	6.6	123.3	123.3	123.3	123.3	97.7	71.6
				95°F						105°F							
2125	77	118.0	7.2	62.3	51.7	41.2	-	-	-	110.3	8.4	62.5	50.8	39.2	-	-	-
	72	110.3	7.2	78.2	65.8	53.4	41.0	-	-	103.8	8.4	76.1	63.6	51.0	38.4	-	-
	67	102.6	7.3	94.2	79.9	65.6	53.3	41.0	-	97.2	8.4	89.8	76.3	62.8	50.4	38.0	-
	62	100.4	7.2	97.3	87.6	77.9	65.7	53.4	41.2	94.8	8.3	91.9	83.2	74.6	62.4	50.3	38.1
2550	77	119.2	7.2	71.5	56.4	41.4	-	-	-	111.4	8.4	70.7	54.7	38.6	-	-	-
	72	112.6	7.2	85.2	70.7	56.3	41.8	-	-	105.7	8.4	82.3	67.8	53.4	38.9	-	-
	67	106.0	7.3	98.9	85.0	71.2	56.6	42.0	-	100.1	8.4	93.9	81.0	68.1	53.5	38.9	-
	62	104.1	7.2	101.4	93.8	86.1	71.4	56.7	41.9	98.1	8.3	95.7	89.3	82.9	68.1	53.4	38.6
2975	77	120.5	7.2	80.7	61.1	41.6	-	-	-	112.5	8.4	78.9	58.5	38.1	-	-	-
	72	114.9	7.3	92.1	75.6	59.2	42.7	-	-	107.7	8.4	88.5	72.1	55.8	39.5	-	-
	67	109.3	7.3	103.5	90.2	76.8	59.9	43.0	-	102.9	8.4	98.0	85.7	73.5	56.7	39.8	-
	62	107.8	7.2	105.5	99.9	94.4	77.1	59.9	42.6	101.4	8.3	99.4	95.3	91.2	73.8	56.5	39.2
3400	77	121.8	7.3	89.9	65.8	41.8	-	-	-	113.6	8.4	87.2	62.4	37.6	-	-	-
	72	117.2	7.3	99.1	80.6	62.1	43.5	-	-	109.7	8.4	94.6	76.4	58.2	40.0	-	-
	67	112.6	7.3	108.2	95.3	82.3	63.2	44.1	-	105.8	8.4	102.1	90.5	78.8	59.8	40.7	-
	62	111.4	7.2	109.7	106.1	102.6	82.8	63.1	43.3	104.6	8.4	103.1	101.3	99.5	79.6	59.7	39.7
3825	77	110.3	7.2	110.2	110.2	102.5	82.1	61.7	-	103.5	8.3	103.5	103.5	103.5	99.3	78.6	57.8
	72	119.5	7.3	106.0	85.5	64.9	44.4	-	-	111.6	8.4	100.8	80.7	60.6	40.6	-	-
	67	116.0	7.3	112.9	100.4	87.9	66.5	45.1	-	108.6	8.4	106.2	95.2	84.2	62.9	41.6	-
	62	115.1	7.3	113.8	112.3	110.8	88.6	66.3	44.0	107.9	8.4	106.8	106.8	106.8	85.3	62.8	40.3
4250	77	114.3	7.2	114.3	114.3	114.3	110.7	87.5	64.4	107.2	8.3	107.2	107.2	107.2	107.2	83.9	60.2
	72	121.8	7.3	112.9	90.4	67.8	45.3	-	-	113.6	8.4	107.0	85.0	63.1	41.1	-	-
	67	119.3	7.3	117.5	105.5	93.5	69.8	46.1	-	111.5	8.4	110.3	99.9	89.6	66.1	42.6	-
	62	118.8	7.3	117.9	117.9	117.9	94.3	69.5	44.7	111.2	8.4	110.6	110.6	110.6	91.0	65.9	40.8
4250	77	118.4	7.2	118.4	118.4	118.4	118.4	92.9	67.0	110.8	8.3	110.8	110.8	110.8	110.8	89.3	62.6

ZY09 (8.5 Ton) (Continued)

Air on Evaporator Coil		Temperature of Air on Condenser Coil															
		Total Capacity ¹ (MBh)	Total Input (kW) ²	Sensible Capacity (MBh)						Total Capacity ¹ (MBh)	Total Input (kW) ²	Sensible Capacity (MBh)					
				Return Dry Bulb (°F)								Return Dry Bulb (°F)					
				90	85	80	75	70	65			90	85	80	75	70	65
115°F										125°F							
2125	77	102.7	9.5	62.7	49.9	37.1	-	-	-	95.1	10.7	62.9	49.0	35.1	-	-	-
	72	97.3	9.5	74.1	61.3	48.5	35.7	-	-	90.7	10.6	72.0	59.0	46.1	33.1	-	-
	67	91.8	9.5	85.4	72.7	59.9	47.5	35.0	-	86.4	10.6	81.0	69.0	57.0	44.5	32.0	-
	62	89.3	9.4	86.6	78.9	71.3	59.2	47.1	35.0	83.7	10.6	81.3	74.6	67.9	55.9	43.9	31.9
2550	77	103.6	9.5	69.9	52.9	35.9	-	-	-	95.8	10.7	69.1	51.2	33.2	-	-	-
	72	98.9	9.5	79.4	65.0	50.5	36.0	-	-	92.0	10.6	76.6	62.1	47.6	33.1	-	-
	67	94.1	9.5	89.0	77.0	65.0	50.4	35.8	-	88.2	10.6	84.0	73.0	62.0	47.3	32.7	-
	62	92.1	9.4	89.9	84.8	79.6	64.9	50.1	35.4	86.2	10.6	84.2	80.3	76.4	61.6	46.9	32.1
	57	90.1	9.4	90.1	90.1	90.1	79.3	64.4	49.5	84.1	10.5	84.1	84.1	84.1	75.9	61.0	46.1
2975	77	104.5	9.5	77.2	55.9	34.7	-	-	-	96.5	10.6	75.4	53.3	31.2	-	-	-
	72	100.5	9.5	84.8	68.6	52.4	36.2	-	-	93.3	10.6	81.2	65.1	49.1	33.0	-	-
	67	96.5	9.5	92.5	81.3	70.2	53.4	36.6	-	90.1	10.6	87.0	76.9	66.9	50.2	33.4	-
	62	95.0	9.5	93.2	90.6	88.0	70.6	53.2	35.8	88.6	10.6	87.1	85.9	84.8	67.3	49.8	32.3
	57	93.4	9.4	93.4	93.4	93.4	87.7	69.7	51.7	87.0	10.5	87.0	87.0	87.0	84.4	66.2	48.0
3400	77	105.4	9.5	84.4	58.9	33.4	-	-	-	97.1	10.6	81.7	55.5	29.3	-	-	-
	72	102.1	9.5	90.2	72.3	54.4	36.5	-	-	94.6	10.6	85.8	68.2	50.6	33.0	-	-
	67	98.9	9.5	96.0	85.7	75.4	56.4	37.4	-	92.0	10.6	89.9	80.9	71.9	53.0	34.1	-
	62	97.8	9.5	96.5	96.4	96.3	76.3	56.2	36.2	91.0	10.6	90.0	90.0	90.0	73.0	52.8	32.6
	57	96.7	9.4	96.7	96.7	96.7	96.2	75.0	53.9	89.9	10.5	89.9	89.9	89.9	89.9	71.5	50.0
3825	72	103.8	9.5	95.6	76.0	56.4	36.8	-	-	95.9	10.6	90.4	71.2	52.1	32.9	-	-
	67	101.3	9.5	99.5	90.0	80.5	59.4	38.2	-	93.9	10.6	92.9	84.8	76.8	55.8	34.8	-
	62	100.6	9.5	99.9	99.9	99.9	82.0	59.3	36.6	93.4	10.6	92.9	92.9	92.9	78.7	55.7	32.8
	57	100.0	9.4	100.0	100.0	100.0	80.3	56.1	-	92.9	10.5	92.9	92.9	92.9	92.9	76.7	51.9
4250	72	105.4	9.5	101.0	79.7	58.3	37.0	-	-	97.2	10.6	95.0	74.3	53.6	32.9	-	-
	67	103.6	9.5	103.0	94.4	85.7	62.3	39.0	-	95.8	10.6	95.8	88.8	81.8	58.6	35.4	-
	62	103.5	9.5	103.2	103.2	103.2	87.7	62.3	36.9	95.8	10.6	95.8	95.8	95.8	84.4	58.7	33.0
	57	103.3	9.4	103.3	103.3	103.3	103.3	85.6	58.2	95.8	10.5	95.8	95.8	95.8	95.8	82.0	53.8

1. These capacities are gross ratings. For net capacity, deduct the supply air blower motor heat (MBh = 3.415 x kW). Refer to the appropriate Blower Performance Table for the kW of the supply air blower motor.
2. These ratings include the condenser fan motors (total 1 kW) and the compressor motors but not the supply air blower motor.

ZY12 (10 Ton) (Continued)

Air on Evaporator Coil		Temperature of Air on Condenser Coil															
CFM	WB (°F)	Total Capacity ¹ (MBh)	Total Input (kW) ²	Sensible Capacity (MBh)						Total Capacity ¹ (MBh)	Total Input (kW) ²	Sensible Capacity (MBh)					
				Return Dry Bulb (°F)								Return Dry Bulb (°F)					
				90	85	80	75	70	65			90	85	80	75	70	65
				115°F						125°F							
2500	77	123.9	11.4	67.3	54.6	41.8	-	-	-	113.8	12.7	64.8	51.4	38.0	-	-	-
	72	113.0	11.4	82.4	68.4	54.4	40.5	-	-	104.2	12.6	79.2	64.9	50.6	36.3	-	-
	67	102.9	11.3	97.5	82.3	67.1	53.9	40.7	-	95.8	12.6	93.5	78.3	63.2	50.1	37.0	-
	62	102.2	11.4	99.8	89.7	79.7	67.3	55.0	42.7	95.8	12.7	93.7	84.7	75.7	63.9	52.0	40.1
3000	77	123.6	11.4	77.2	59.1	40.9	-	-	-	113.3	12.7	74.6	55.8	37.0	-	-	-
	72	115.4	11.4	89.8	73.4	57.1	40.8	-	-	106.6	12.6	86.1	69.6	53.1	36.6	-	-
	67	107.2	11.3	102.3	87.8	73.3	57.4	41.5	-	99.9	12.6	97.6	83.4	69.3	53.5	37.7	-
	62	106.4	11.3	104.2	96.8	89.4	74.0	58.5	43.1	99.8	12.6	97.8	91.6	85.4	70.3	55.2	40.1
	57	105.7	11.4	104.5	104.5	104.5	90.6	75.6	60.6	99.8	12.7	98.0	98.0	98.0	87.1	72.7	58.3
3500	77	123.3	11.4	87.2	63.6	40.0	-	-	-	112.9	12.6	84.4	60.2	36.0	-	-	-
	72	117.8	11.3	97.1	78.4	59.7	41.1	-	-	109.0	12.6	93.1	74.4	55.7	37.0	-	-
	67	111.4	11.3	107.1	93.3	79.5	60.8	42.2	-	103.9	12.5	101.7	88.5	75.3	56.8	38.3	-
	62	110.7	11.3	108.6	103.9	99.2	80.6	62.0	43.5	103.8	12.6	101.9	98.5	95.0	76.7	58.4	40.1
	57	110.0	11.3	108.9	108.9	108.9	100.4	81.9	63.4	103.7	12.6	102.1	102.1	102.1	96.6	78.5	60.5
4000	77	123.0	11.4	97.1	68.1	39.2	-	-	-	112.5	12.6	94.3	64.6	35.0	-	-	-
	72	120.1	11.3	104.5	83.5	62.4	41.4	-	-	111.3	12.6	100.1	79.1	58.2	37.3	-	-
	67	115.7	11.3	111.9	98.8	85.7	64.3	42.9	-	107.9	12.5	105.9	93.6	81.4	60.2	39.0	-
	62	115.0	11.3	113.1	111.0	108.9	87.2	65.6	43.9	107.8	12.5	106.0	105.3	104.6	83.1	61.7	40.2
	57	114.3	11.3	113.4	113.4	113.4	110.2	88.2	66.2	107.7	12.5	106.1	106.1	106.1	106.1	84.3	62.6
4500	72	122.5	11.3	111.9	88.5	65.1	41.6	-	-	113.7	12.5	107.0	83.9	60.7	37.6	-	-
	67	119.9	11.3	116.8	104.3	91.9	67.8	43.7	-	111.9	12.5	110.0	98.7	87.5	63.6	39.6	-
	62	119.3	11.3	117.5	117.5	117.5	93.9	69.1	44.3	111.7	12.5	110.1	110.1	110.1	89.6	64.9	40.2
	57	118.6	11.3	117.8	117.8	117.8	117.8	94.5	69.0	111.6	12.5	110.2	110.2	110.2	110.2	90.1	64.7
5000	72	124.9	11.3	119.3	93.5	67.7	41.9	-	-	116.1	12.5	114.0	88.6	63.2	37.9	-	-
	67	124.2	11.2	121.6	109.8	98.1	71.2	44.4	-	115.9	12.4	114.1	103.8	93.6	66.9	40.3	-
	62	123.6	11.2	121.9	121.9	121.9	100.5	72.6	44.7	115.7	12.4	114.2	114.2	114.2	96.0	68.1	40.2
	57	122.9	11.2	122.2	122.2	122.2	122.2	100.8	71.9	115.6	12.4	114.3	114.3	114.3	114.3	95.9	66.8

1. These capacities are gross ratings. For net capacity, deduct the supply air blower motor heat (MBh = 3.415 x kW). Refer to the appropriate Blower Performance Table for the kW of the supply air blower motor.
2. These ratings include the condenser fan motors (total 1 kW) and the compressor motors but not the supply air blower motor.

Drive Selection

1. Determine side or bottom supply duct Application.
2. Determine desired airflow.
3. Calculate or measure the amount of external static pressure.
 - Add or deduct any additional static resistance from “Additional Static Resistance Table”.
4. Using the operating point determined from steps 1, 2 & 3, locate this point on the appropriate supply air blower performance table. (Linear interpolation may be necessary.)
5. Noting the RPM and BHP from step 4, locate the appropriate motor and, or drive on the RPM selection table.
6. Review the BHP compared to the motor options available. Select the appropriate motor and, or drive.
7. Review the RPM range for the motor options available. Select the appropriate drive if multiple drives are available for the chosen motor.
8. Determine turns open to obtain the desired operation point.

Example

1. 3400 CFM
2. 1.6 iwg
3. Using the airflow performance table below, the following data point was located: 1039 RPM & 2.52 BHP.
4. Using the RPM selection table below, Model ZY and Size 08 (Tons) 7.5 is found.
5. 2.59 BHP exceeds the maximum continuous BHP rating of the 1.5 HP motor. The 3 HP motor is required.
6. 1039 RPM is within the range of the 3 HP drives.
7. Using the 3 HP motor and drive, 1.5 turns open will achieve 1039 RPM.

Airflow Performance

**Example Supply Air Blower Performance
ZY08 (7.5 Ton) Bottom Duct**

CFM	Available External Static																			
	0.2		0.4		0.6		0.8		1.0		1.2		1.4		1.6		1.8		2.0	
	RPM	BHP	RPM	BHP	RPM	BHP	RPM	BHP	RPM	BHP	RPM	BHP	RPM	BHP	RPM	BHP	RPM	BHP	RPM	BHP
2250	556	0.45	621	0.65	683	0.83	742	1.00	798	1.18	852	1.34	904	1.51	954	1.69	1003	1.87	1050	2.06
2400	567	0.53	632	0.73	694	0.91	753	1.09	809	1.26	863	1.43	914	1.60	964	1.77	1013	1.95	1060	2.14
2600	580	0.65	646	0.85	707	1.03	766	1.21	823	1.38	876	1.55	928	1.72	978	1.89	1027	2.07	1074	2.27
2800	595	0.79	660	0.99	722	1.17	780	1.35	837	1.52	890	1.69	942	1.86	992	2.03	1041	2.21	1088	2.40
3000	609	0.94	674	1.14	736	1.32	795	1.50	851	1.67	905	1.83	957	2.00	1007	2.18	1056	2.36	1100	2.55
3200	625	1.10	690	1.30	752	1.48	810	1.66	867	1.83	921	2.00	972	2.17	1022	2.34	1071	2.52	--	--
3400	641	1.28	706	1.47	768	1.66	827	1.83	883	2.00	937	2.17	989	2.34	1039	2.52	1087	2.70	--	--

- Standard Static Option with Motor rated at 2.4-hp
- Medium Static Option with Motor rated at 2.4-hp
- High Static Option with Motor rated at 3.7-hp
- Exceeds recommended blower speed

Example RPM Selection

Model	Size (Tons)	Airflow Option	HP	Max BHP	Blower Sheave	Motor Sheave	6 Turns Open	5 Turns Open	4 Turns Open	3 Turns Open	2 Turns Open	1 Turns Open	Fully Closed
ZY	08 (7.5)	Std.	1.5	2.4	AK74	1VL34	N/A	475	525	575	625	675	725
		Med.	1.5	2.4	AK74	1VL44	N/A	700	750	800	850	900	950
		H. Static	3.0	3.7	AK74	1VP50	N/A	850	900	950	1000	1050	1100

Example Additional Static Resistance

Model	Size (Tons)	CFM	Cooling Only	Economizer	2" Filter	Electric Heat kW				
						6/6.5	10.5/11	14/15	16/16.5	24.8/27.8
ZX	08 (7.5), 09 (8.5), 12 (10.0), 14 (12.5)	2200	0.04	0.18	---	---	---	---	0.07	0.09
		2600	0.06	0.24	---	---	---	---	0.09	0.11
		3000	0.10	0.35	---	---	---	---	0.12	0.14
		3400	0.13	0.47	---	---	---	---	0.15	0.18
		3800	0.16	0.59	---	---	---	---	0.19	0.22
		4000	0.17	0.66	---	---	---	---	0.21	0.24
		4400	0.20	0.79	---	---	---	---	0.25	0.29
		4800	0.22	0.91	---	---	---	---	0.30	0.34
		5200	0.24	1.04	---	---	---	---	0.35	0.39
		5600	0.26	1.17	---	---	---	---	0.41	0.45
6000	0.28	1.30	---	---	---	---	0.48	0.52		

Altitude and Temperature Correction for CFM, Static Pressure and Power.

The information below should be used to assist in application of product when being applied at altitudes at or exceeding 1000 feet above sea level.

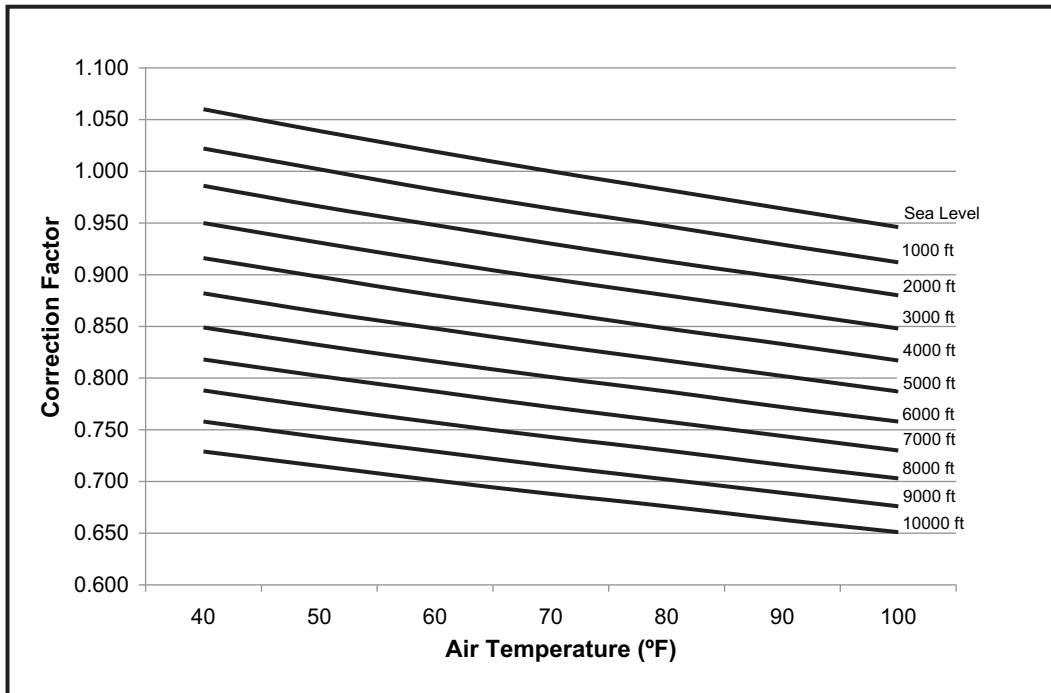
The air flow rates listed in the standard blower performance tables are based on standard air at sea level. As the altitude or temperature increases, the density of air decreases. In order to

use the indoor blower tables for high altitude applications, certain corrections are necessary.

A centrifugal fan is a "constant volume" device. This means that, if the RPM remains constant, the CFM delivered is the same regardless of the density of the air. However, since the air at high altitude is less dense, less static pressure will be generated and less power will be required than a similar application at sea level. Air density correction factors are shown below.

Altitude/Temperature Correction Factors

Air Temp.	Altitude (Ft.)										
	0	1000	2000	3000	4000	5000	6000	7000	8000	9000	10000
40	1.060	1.022	0.986	0.950	0.916	0.882	0.849	0.818	0.788	0.758	0.729
50	1.039	1.002	0.966	0.931	0.898	0.864	0.832	0.802	0.772	0.743	0.715
60	1.019	0.982	0.948	0.913	0.880	0.848	0.816	0.787	0.757	0.729	0.701
70	1.000	0.964	0.930	0.896	0.864	0.832	0.801	0.772	0.743	0.715	0.688
80	0.982	0.947	0.913	0.880	0.848	0.817	0.787	0.758	0.730	0.702	0.676
90	0.964	0.929	0.897	0.864	0.833	0.802	0.772	0.744	0.716	0.689	0.663
100	0.946	0.912	0.880	0.848	0.817	0.787	0.758	0.730	0.703	0.676	0.651



The examples below will assist in determining the airflow performance of the product at altitude.

Example 1: What are the corrected CFM, static pressure, and BHP at an elevation of 5,000 ft. if the airflow performance data is 3,000 CFM, 1.4 IWC and 2.0 BHP?

Solution: At an elevation of 5,000 ft. the indoor blower will still deliver 3,000 CFM if the rpm is unchanged. However, the Altitude correction must be used to determine the static pressure and BHP. Since no temperature data is given, we will assume an Air Temperature of 70°F. The Altitude/Temperature Factors show the correction factor to be 0.832.

$$\text{Corrected static pressure} = 1.4 \times 0.832 = 1.16 \text{ IWC}$$

$$\text{Corrected BHP} = 2.0 \times 0.832 = 1.66$$

Example 2: A system, located at 5,000 feet of elevation, is to deliver 3,000 CFM at a static pressure of 1.4". Use the unit

blower tables to select the blower speed and the BHP requirement.

Solution: As in the example above, no temperature information is given so 70°F is assumed.

The 1.4" static pressure given is at an elevation of 5,000 ft. The first step is to convert this static pressure to equivalent sea level conditions.

$$\text{Sea level static pressure} = 1.4" / .832 = 1.68"$$

Enter the Supply Air Blower Performance Table at 3,000 CFM and static pressure of 1.68". The rpm listed will be the same rpm needed at 5,000 ft.

Suppose that the corresponding BHP listed in the table is 2.0. This value must be corrected for elevation.

$$\text{BHP at 5,000 ft.} = 2.0 \times .832 = 1.66$$

Indoor Blower Specifications

Model	Size (Tons)	Airflow Option	Motor					Motor Sheave			Blower Sheave			Belt	
			phase	HP	RPM	Eff.	SF	Frame	Datum Dia. (in.)	Bore (in.)	Model	Datum Dia. (in.)	Bore (in.)		Model
ZX	04 (3)	Std.	Direct Drive												
		Med.	1	1.5	1725	0.79	1.15	56HZ	1.9 - 2.9	5/8	1VL34	4.2	3/4	AK46	A39
		Med.	3	1.5	1725	0.80	1.15	56Y	1.9 - 2.9	5/8	1VL34	4.2	3/4	AK46	A39
		H. Static	3	1.5	1725	0.80	1.15	56Y	2.8 - 3.8	5/8	1VL44	4.2	3/4	AK46	A40
ZX	05 (4)	Std.	Direct Drive												
		Med.	1	1.5	1725	0.79	1.15	56HZ	1.9 - 2.9	5/8	1VL34	4.2	3/4	AK46	A39
		Med.	3	1.5	1725	0.80	1.15	56Y	1.9 - 2.9	5/8	1VL34	4.2	3/4	AK46	A39
		H. Static	3	1.5	1725	0.80	1.15	56Y	2.8 - 3.8	5/8	1VL44	4.2	3/4	AK46	A40
ZX	06 (5)	Std.	Direct Drive												
		Med.	1	1.5	1725	0.79	1.15	56HZ	1.9 - 2.9	5/8	1VL34	3.7	3/4	AK41	A37
		Med.	3	1.5	1725	0.80	1.15	56Y	1.9 - 2.9	5/8	1VL34	3.7	3/4	AK41	A37
		H. Static	3	2.0	1725	0.81	1.15	56Y	2.8 - 3.8	7/8	1VL44	3.7	3/4	AK41	A39
ZX	07 (6)	Std.	3	1.5	1725	0.80	1.15	56Y	1.9 - 2.9	5/8	1VL34	4.7	3/4	AK51	A39
		Med.	3	2.0	1725	0.81	1.15	56Y	2.8 - 3.8	7/8	1VL44	4.7	3/4	AK51	A40
		H. Static	3	3.0	1725	0.84	1.15	56HZ	3.4 - 4.4	7/8	1VP50	4.7	3/4	AK51	A41
ZX	08 (7.5)	Std.	3	1.5	1725	0.80	1.15	56Y	1.9 - 2.9	5/8	1VL34	7.0	1	AK74	A47
		Med.	3	2.0	1725	0.81	1.15	56Y	2.8 - 3.8	7/8	1VL44	7.0	1	AK74	A48
		H. Static	3	3.0	1725	0.84	1.15	56HZ	3.4 - 4.4	7/8	1VP50	7.0	1	AK74	A50
ZX	09 (8.5)	Std.	3	1.5	1725	0.80	1.15	56Y	1.9 - 2.9	5/8	1VL34	7.0	1	AK74	A47
		Med.	3	1.5	1725	0.80	1.15	56Y	2.8 - 3.8	5/8	1VL44	7.0	1	AK74	A48
		H. Static	3	3.0	1725	0.84	1.15	56HZ	3.4 - 4.4	7/8	1VP50	7.0	1	AK74	A50
ZX	12 (10)	Std.	3	1.5	1725	0.80	1.15	56Y	2.8 - 3.8	5/8	1VL44	7.5	1	AK79	A50
		Med.	3	3.0	1725	0.84	1.15	56HZ	3.4 - 4.4	7/8	1VP50	7.5	1	AK79	A50
		H. Static	3	5.0	1725	0.84	1.15	145TY	4.3 - 5.3	7/8	1VP56	7.9	1	BK85	BX52
ZX	14 (12.5)	Std.	3	2.9	1750	0.87	1.15	56Z	2.8 - 3.8	7/8	1VL44	7.5	1	AK79	A50
		Med.	3	3.7	1750	0.90	1.15	184TZ	3.4 - 4.4	7/8	1VP50	7.5	1	AK79	A52
		H. Static	3	5.25	1750	0.90	1.15	184TZ	4.3 - 5.3	7/8	1VP56	7.9	1	BK85	BX54
ZY	04 (3)	Std.	Direct Drive												
		Med.	1	1.5	1725	0.79	1.15	56HZ	1.9 - 2.9	5/8	1VL34	4.2	3/4	AK46	A39
		Med.	3	1.5	1725	0.80	1.15	56Y	1.9 - 2.9	5/8	1VL34	4.2	3/4	AK46	A39
		H. Static	3	1.5	1725	0.80	1.15	56Y	2.8 - 3.8	5/8	1VL44	4.2	3/4	AK46	A40
ZY	05 (4)	Std.	Direct Drive												
		Med.	1	1.5	1725	0.79	1.15	56HZ	1.9 - 2.9	5/8	1VL34	4.2	3/4	AK46	A39
		Med.	3	1.5	1725	0.80	1.15	56Y	1.9 - 2.9	5/8	1VL34	4.2	3/4	AK46	A39
		H. Static	3	2.0	1725	0.81	1.15	56Y	2.8 - 3.8	7/8	1VL44	4.2	3/4	AK46	A40
ZY	06 (5)	Std.	Direct Drive												
		Med.	1	1.5	1750	0.83	1.15	56H	1.9 - 2.9	5/8	1VL34	4.2	3/4	AK46	A37
		Med.	3	2.4	1750	0.87	1.15	56HZ	1.9 - 2.9	5/8	1VL34	4.2	3/4	AK46	A37
		H. Static	3	2.9	1750	0.87	1.15	56Z	2.8 - 3.8	7/8	1VL44	4.2	3/4	AK46	A39
ZY	07 (6)	Std.	3	1.5	1725	0.80	1.15	56Y	1.9 - 2.9	5/8	1VL34	7.0	1	AK74	A47
		Med.	3	2.0	1725	0.81	1.15	56Y	2.8 - 3.8	7/8	1VL44	7.0	1	AK74	A48
		H. Static	3	3.0	1725	0.84	1.15	56HZ	3.4 - 4.4	7/8	1VP50	7.0	1	AK74	A48
ZY	08 (7.5)	Std.	3	1.5	1725	0.80	1.15	56Y	1.9 - 2.9	5/8	1VL34	7.0	1	AK74	A47
		Med.	3	1.5	1725	0.80	1.15	56Y	2.8 - 3.8	5/8	1VL44	7.0	1	AK74	A48
		H. Static	3	3.0	1725	0.84	1.15	56HZ	3.4 - 4.4	7/8	1VP50	7.0	1	AK74	A50
ZY	09 (8.5)	Std.	3	1.5	1725	0.80	1.15	56Y	1.9 - 2.9	5/8	1VL34	7.0	1	AK74	A47
		Med.	3	1.5	1725	0.80	1.15	56Y	2.8 - 3.8	5/8	1VL44	7.0	1	AK74	A48
		H. Static	3	3.0	1725	0.84	1.15	56HZ	3.4 - 4.4	7/8	1VP50	7.0	1	AK74	A50
ZY	12 (10)	Std.	3	1.5	1725	0.80	1.15	56Y	2.8 - 3.8	5/8	1VL44	7.5	1	AK79	A50
		Med.	3	3.0	1725	0.84	1.15	56HZ	3.4 - 4.4	7/8	1VP50	7.5	1	AK79	A50
		H. Static	3	5.0	1725	0.84	1.15	145TY	4.3 - 5.3	7/8	1VP56	7.9	1	BK85	BX52

RPM Selection

Model	Size (Tons)	Airflow Option	HP	Max BHP	Blower Sheave	Motor Sheave	6 Turns Open	5 Turns Open	4 Turns Open	3 Turns Open	2 Turns Open	1 Turns Open	Fully Closed
ZX	04 (3)	Std.	1.5	2.4	AK46	1VL34	N/A	Direct Drive					
		Med.						792	875	958	1042	1125	1208
		H. Static						1167	1250	1333	1417	1500	1593
ZX	05 (4)	Std.	1.5	2.4	AK46	1VL34	N/A	Direct Drive					
		Med.						792	875	958	1042	1125	1208
		H. Static						1167	1250	1333	1417	1500	1593
ZX	06 (5)	Std.	1.5	2.4	AK41	1VL34	N/A	Direct Drive					
		Med.						899	993	1088	1182	1277	1372
		H. Static						1324	1419	1514	1608	1703	1797
ZX	07 (6)	Std.	1.5	2.4	AK51	1VL34	N/A	Direct Drive					
		Med.						707	782	856	931	1005	1080
		H. Static						1043	1117	1191	1266	1340	1415
ZX	08 (7.5)	Std.	1.5	2.4	AK74	1VL34	N/A	Direct Drive					
		Med.						475	525	575	625	675	725
		H. Static						700	750	800	850	900	950
ZX	09 (8.5)	Std.	1.5	2.4	AK74	1VL34	N/A	Direct Drive					
		Med.						475	525	575	625	675	725
		H. Static						700	750	800	850	900	950
ZX	12 (10)	Std.	1.5	2.4	AK79	1VL44	N/A	Direct Drive					
		Med.						653	700	747	793	840	887
		H. Static						793	840	887	933	980	1027
ZX	14 (12.5)	Std.	--	2.9	AK79	1VL44	N/A	Direct Drive					
		Med.						653	700	747	793	840	887
		H. Static						793	840	887	933	980	1027
ZY	04 (3)	Std.	1.5	2.4	AK46	1VL34	N/A	Direct Drive					
		Med.						792	875	958	1042	1125	1208
		H. Static						1167	1250	1333	1417	1500	1593
ZY	05 (4)	Std.	1.5	2.4	AK46	1VL34	N/A	Direct Drive					
		Med.						792	875	958	1042	1125	1208
		H. Static						1167	1250	1333	1417	1500	1593
ZY	06 (5)	Std.	--	2.4	AK46	1VL34	N/A	Direct Drive					
		Med.						792	875	958	1042	1125	1208
		H. Static						1167	1250	1333	1417	1500	1593
ZY	07 (6)	Std.	1.5	2.4	AK74	1VL34	N/A	Direct Drive					
		Med.						475	525	575	625	675	725
		H. Static						700	750	800	850	900	950
ZY	08 (7.5)	Std.	1.5	2.4	AK74	1VL34	N/A	Direct Drive					
		Med.						475	525	575	625	675	725
		H. Static						700	750	800	850	900	950
ZY	09 (8.5)	Std.	1.5	2.4	AK74	1VL34	N/A	Direct Drive					
		Med.						475	525	575	625	675	725
		H. Static						700	750	800	850	900	950
ZY	12 (10)	Std.	1.5	2.4	AK79	1VL44	N/A	Direct Drive					
		Med.						653	700	747	793	840	887
		H. Static						793	840	887	933	980	1027

Additional Static Resistance - ZX04-14

Model	Size (Tons)	CFM	Cooling Only ¹	Economizer ^{2 3}	4" Filter ²	Electric Heat kW ²						
						6/6.5	10.5/11	14/15	16/16.5	24.8/27.8	32/33	42.4/41.7
ZX	04 (3.0), 05 (4.0), 06 (5.0)	900	0.04	0.15	---	0.00	0.00	0.01	---	---	---	---
		1000	0.05	0.18	---	0.00	0.00	0.02	---	---	---	---
		1100	0.06	0.21	---	0.01	0.01	0.02	---	---	---	---
		1200	0.07	0.24	---	0.01	0.01	0.02	---	---	---	---
		1300	0.10	0.28	---	0.01	0.01	0.03	---	---	---	---
		1400	0.12	0.33	---	0.02	0.02	0.03	---	---	---	---
		1500	0.14	0.44	---	0.02	0.02	0.04	---	---	---	---
		1600	0.16	0.52	---	0.02	0.02	0.04	---	---	---	---
		1700	0.18	0.59	---	0.03	0.03	0.05	---	---	---	---
		1800	0.22	0.66	---	0.03	0.03	0.05	---	---	---	---
		1900	0.25	0.74	---	0.04	0.04	0.06	---	---	---	---
		2000	0.28	0.81	---	0.04	0.04	0.07	---	---	---	---
		2100	0.33	0.88	---	0.05	0.05	0.07	---	---	---	---
		2200	0.36	0.95	---	0.06	0.06	0.08	---	---	---	---
		2300	0.41	1.03	---	0.06	0.06	0.09	---	---	---	---
2400	0.45	1.10	---	0.07	0.07	0.10	---	---	---	---		
2500	0.50	1.17	---	0.08	0.08	0.11	---	---	---	---		
ZX	07 (6.0)	1800	0.23	0.66	---	0.03	0.03	0.05	---	---	---	---
		2000	0.28	0.81	---	0.04	0.04	0.06	---	---	---	---
		2200	0.32	0.95	---	0.06	0.06	0.07	---	---	---	---
		2400	0.37	1.10	---	0.07	0.07	0.08	---	---	---	---
		2600	0.38	1.25	---	0.08	0.08	0.09	---	---	---	---
		2800	0.41	1.39	---	0.09	0.09	0.10	---	---	---	---
		3000	0.45	1.54	---	0.11	0.11	0.12	---	---	---	---
ZX	08 (7.5), 09 (8.5), 12 (10.0), 14 (12.5)	2200	0.04	0.18	---	---	---	---	0.07	0.09	0.10	0.12
		2600	0.06	0.24	---	---	---	---	0.09	0.11	0.12	0.15
		3000	0.10	0.35	---	---	---	---	0.12	0.14	0.15	0.19
		3400	0.13	0.47	---	---	---	---	0.15	0.18	0.19	0.23
		3800	0.16	0.59	---	---	---	---	0.19	0.22	0.23	0.27
		4000	0.17	0.66	---	---	---	---	0.21	0.24	0.25	0.30
		4400	0.20	0.79	---	---	---	---	0.25	0.29	0.30	0.35
		4800	0.22	0.91	---	---	---	---	0.30	0.34	0.35	0.41
		5200	0.24	1.04	---	---	---	---	0.35	0.39	0.41	0.47
		5600	0.26	1.17	---	---	---	---	0.41	0.45	0.47	0.54
6000	0.28	1.30	---	---	---	---	0.48	0.52	0.54	0.60		

1. Add these values to the available static resistance in the respective Blower Performance Tables.
2. Deduct these values from the available external static pressure shown in the respective Blower Performance Tables.
3. The pressure drop through the economizer is greater for 100% outdoor air than for 100% return air. If the resistance of the return air duct is less than 0.25 IWG, the unit will deliver less CFM during full economizer operation.

Additional Static Resistance - ZY04-12

Model	Size (Tons)	CFM	Cooling Only ¹	Economizer ^{2 3}	4" Filter ²	Electric Heat kW ²						
						6/6.5	10.5/11	14/15	16/16.5	24.8/27.8	32/33	42.4/41.7
ZY	04 (3.0)	900	0.04	0.15	---	0.00	0.00	0.01	---	---	---	---
		1000	0.05	0.18	---	0.00	0.00	0.02	---	---	---	---
		1100	0.06	0.21	---	0.01	0.01	0.02	---	---	---	---
		1200	0.07	0.24	---	0.01	0.01	0.02	---	---	---	---
		1300	0.10	0.28	---	0.01	0.01	0.03	---	---	---	---
		1400	0.12	0.33	---	0.02	0.02	0.03	---	---	---	---
ZY	05 (4.0)	1500	0.14	0.44	---	0.02	0.02	0.04	---	---	---	---
		1200	0.06	0.24	---	0.01	0.01	0.02	---	---	---	---
		1300	0.06	0.28	---	0.01	0.01	0.03	---	---	---	---
		1400	0.06	0.33	---	0.02	0.02	0.03	---	---	---	---
		1500	0.07	0.44	---	0.02	0.02	0.04	---	---	---	---
		1600	0.08	0.52	---	0.02	0.02	0.04	---	---	---	---
		1700	0.11	0.59	---	0.03	0.03	0.05	---	---	---	---
		1800	0.13	0.66	---	0.03	0.03	0.05	---	---	---	---
ZY	06 (5.0)	1900	0.16	0.74	---	0.04	0.04	0.06	---	---	---	---
		2000	0.20	0.84	---	0.04	0.04	0.07	---	---	---	---
		1800	0.23	0.66	---	0.03	0.03	0.05	---	---	---	---
		2000	0.28	0.81	---	0.04	0.04	0.07	---	---	---	---
		2200	0.32	0.95	---	0.06	0.06	0.08	---	---	---	---
ZY	07 (6.0), 08 (7.5), 09 (8.5), 12 (10.0)	2400	0.37	1.10	---	0.07	0.07	0.10	---	---	---	---
		2500	0.50	1.17	---	0.08	0.08	0.11	---	---	---	---
		2200	0.04	0.18	---	---	---	---	0.07	0.09	0.10	0.12
		2600	0.06	0.24	---	---	---	---	0.09	0.11	0.12	0.15
		3000	0.10	0.35	---	---	---	---	0.12	0.14	0.15	0.19
		3400	0.13	0.47	---	---	---	---	0.15	0.18	0.19	0.23
		3800	0.16	0.59	---	---	---	---	0.19	0.22	0.23	0.27
		4000	0.17	0.66	---	---	---	---	0.21	0.24	0.25	0.30
		4400	0.20	0.79	---	---	---	---	0.25	0.29	0.30	0.35
		4800	0.22	0.91	---	---	---	---	0.30	0.34	0.35	0.41
5200	0.24	1.04	---	---	---	---	0.35	0.39	0.41	0.47		
5600	0.26	1.17	---	---	---	---	0.41	0.45	0.47	0.54		
6000	0.28	1.30	---	---	---	---	0.48	0.52	0.54	0.60		

1. Add these values to the available static resistance in the respective Blower Performance Tables.
2. Deduct these values from the available external static pressure shown in the respective Blower Performance Tables.
3. The pressure drop through the economizer is greater for 100% outdoor air than for 100% return air. If the resistance of the return air duct is less than 0.25 IWG, the unit will deliver less CFM during full economizer operation.

Airflow Performance

ZX04-14 Side Duct Application (Belt Drive)

ZX04 (3.0 Ton) Side Duct

CFM	Available External Static																			
	0.2		0.4		0.6		0.8		1.0		1.2		1.4		1.6		1.8		2.0	
	RPM	BHP	RPM	BHP	RPM	BHP	RPM	BHP	RPM	BHP	RPM	BHP	RPM	BHP	RPM	BHP	RPM	BHP	RPM	BHP
900			877	0.25	965	0.34	1050	0.44	1133	0.54	1213	0.64	1292	0.74	1371	0.83	1450	0.92	1531	1.01
1000	795	0.21	887	0.29	976	0.38	1061	0.48	1143	0.58	1224	0.68	1303	0.78	1382	0.87	1461	0.96	1541	1.05
1100	806	0.25	899	0.34	988	0.43	1073	0.53	1155	0.63	1236	0.73	1315	0.83	1394	0.92	1473	1.01	1553	1.09
1200	820	0.31	913	0.39	1002	0.48	1087	0.58	1169	0.68	1249	0.78	1329	0.88	1407	0.97	1487	1.06	1567	1.15
1300	836	0.37	929	0.45	1018	0.54	1103	0.64	1185	0.74	1265	0.84	1345	0.94	1423	1.03	1503	1.12	1583	1.21
1400	855	0.43	948	0.52	1036	0.61	1121	0.70	1204	0.80	1284	0.90	1363	1.00	1442	1.10	1521	1.19	--	--
1500	876	0.50	969	0.58	1058	0.68	1143	0.77	1225	0.87	1305	0.97	1385	1.07	1464	1.17	1543	1.26	--	--

$kW = 0.929 \times \text{BHP}$

	Medium Static Option with Motor rated at 2.4-hp
	High Static Option with Motor rated at 2.4-hp
	Exceeds recommended Blower speed

ZX05 (4.0 Ton) Side Duct

CFM	Available External Static																			
	0.2		0.4		0.6		0.8		1.0		1.2		1.4		1.6		1.8		2.0	
	RPM	BHP	RPM	BHP	RPM	BHP	RPM	BHP	RPM	BHP	RPM	BHP	RPM	BHP	RPM	BHP	RPM	BHP	RPM	BHP
1200	820	0.31	913	0.39	1002	0.48	1087	0.58	1169	0.68	1249	0.78	1329	0.88	1407	0.97	1487	1.06	1567	1.15
1300	836	0.37	929	0.45	1018	0.54	1103	0.64	1185	0.74	1265	0.84	1345	0.94	1423	1.03	1503	1.12	1583	1.21
1400	855	0.43	948	0.52	1036	0.61	1121	0.70	1204	0.80	1284	0.90	1363	1.00	1442	1.10	1521	1.19	--	--
1500	876	0.50	969	0.58	1058	0.68	1143	0.77	1225	0.87	1305	0.97	1385	1.07	1464	1.17	1543	1.26	--	--
1600	901	0.57	993	0.66	1082	0.75	1167	0.85	1249	0.95	1330	1.05	1409	1.15	1488	1.24	1567	1.33	--	--
1700	928	0.65	1020	0.74	1109	0.83	1194	0.92	1276	1.02	1357	1.12	1436	1.22	1515	1.32	1593	1.41	--	--
1800	957	0.73	1050	0.82	1139	0.91	1224	1.01	1306	1.11	1386	1.21	1466	1.31	1544	1.40	--	--	--	--
1900	990	0.82	1083	0.90	1171	0.99	1256	1.09	1339	1.19	1419	1.29	1498	1.39	1577	1.49	--	--	--	--
2000	1025	0.91	1118	0.99	1207	1.08	1292	1.18	1374	1.28	1454	1.38	1534	1.48	1612	1.57	--	--	--	--

$kW = 0.929 \times \text{BHP}$

	Medium Static Option with Motor rated at 2.4-hp
	High Static Option with Motor rated at 2.4-hp
	Exceeds recommended Blower speed

ZX06 (5.0 Ton) Side Duct

CFM	Available External Static																			
	0.2		0.4		0.6		0.8		1.0		1.2		1.4		1.6		1.8		2.0	
	RPM	BHP	RPM	BHP	RPM	BHP	RPM	BHP	RPM	BHP	RPM	BHP	RPM	BHP	RPM	BHP	RPM	BHP	RPM	BHP
1500	952	0.45	1020	0.56	1092	0.67	1167	0.79	1244	0.90	1319	1.01	1392	1.12	1460	1.23	1522	1.34	1576	1.44
1600	980	0.53	1047	0.64	1120	0.75	1195	0.86	1271	0.97	1347	1.08	1420	1.19	1488	1.30	1550	1.41	1603	1.52
1700	1009	0.61	1077	0.72	1149	0.83	1225	0.95	1301	1.06	1377	1.17	1449	1.28	1518	1.39	1579	1.50	1633	1.60
1800	1041	0.71	1108	0.82	1181	0.93	1256	1.04	1333	1.15	1408	1.26	1481	1.37	1549	1.48	1611	1.59	1664	1.70
1900	1074	0.81	1142	0.92	1214	1.03	1289	1.14	1366	1.25	1441	1.36	1514	1.47	1582	1.58	1644	1.69	1698	1.80
2000	1109	0.92	1177	1.03	1249	1.14	1324	1.25	1401	1.36	1476	1.47	1549	1.58	1617	1.69	1679	1.80	1732	1.91
2100	1145	1.04	1213	1.15	1285	1.26	1360	1.37	1437	1.48	1512	1.59	1585	1.70	1653	1.81	1715	1.92	--	--
2200	1183	1.17	1250	1.28	1322	1.39	1398	1.50	1474	1.61	1550	1.72	1623	1.83	1691	1.94	1753	2.05	--	--
2300	1221	1.30	1289	1.41	1361	1.52	1436	1.64	1513	1.75	1588	1.86	1661	1.97	1729	2.08	--	--	--	--
2400	1260	1.45	1328	1.56	1400	1.67	1476	1.78	1552	1.89	1628	2.01	1700	2.12	--	--	--	--	--	--
2500	1301	1.61	1368	1.72	1441	1.83	1516	1.94	1592	2.05	1668	2.16	1741	2.27	--	--	--	--	--	--

	Medium Static Option with Motor rated at 2.4-hp
	High Static Option with Motor rated at 2.9-hp
	Exceeds recommended Blower speed

ZX07 (6.0 Ton) Side Duct

CFM	Available External Static																			
	0.2		0.4		0.6		0.8		1.0		1.2		1.4		1.6		1.8		2.0	
	RPM	BHP	RPM	BHP	RPM	BHP	RPM	BHP	RPM	BHP	RPM	BHP	RPM	BHP	RPM	BHP	RPM	BHP	RPM	BHP
1800	915	0.67	979	0.77	1041	0.89	1102	1.02	1162	1.16	1221	1.31	1278	1.45	1334	1.59	1389	1.72	1442	1.82
1900	939	0.78	1003	0.87	1065	0.99	1126	1.12	1186	1.27	1244	1.41	1302	1.56	1358	1.69	1412	1.82	1466	1.93
2000	964	0.89	1028	0.99	1090	1.11	1151	1.24	1211	1.38	1269	1.52	1327	1.67	1383	1.81	1437	1.93	1491	2.04
2100	990	1.01	1054	1.11	1116	1.23	1177	1.36	1237	1.50	1296	1.65	1353	1.79	1409	1.93	1464	2.05	1517	2.16
2200	1018	1.14	1081	1.24	1143	1.36	1204	1.49	1264	1.63	1323	1.78	1380	1.92	1436	2.06	1491	2.18	1544	2.29
2300	1046	1.28	1110	1.37	1172	1.49	1233	1.62	1293	1.77	1351	1.91	1409	2.05	1465	2.19	1519	2.32	1573	2.43
2400	1076	1.42	1139	1.52	1201	1.63	1262	1.76	1322	1.91	1381	2.05	1438	2.20	1494	2.33	1549	2.46	1602	2.57
2500	1106	1.56	1170	1.66	1232	1.78	1293	1.91	1353	2.05	1411	2.20	1469	2.34	1525	2.48	1579	2.60	1633	2.71
2600	1138	1.71	1201	1.81	1263	1.93	1324	2.06	1384	2.20	1443	2.35	1500	2.49	1556	2.63	1611	2.75	--	--
2700	1170	1.87	1234	1.96	1296	2.08	1357	2.21	1417	2.35	1475	2.50	1533	2.64	1589	2.78	1638	2.91	--	--
2800	1203	2.02	1267	2.12	1329	2.24	1390	2.37	1450	2.51	1509	2.66	1566	2.80	1622	2.94	--	--	--	--
2900	1238	2.18	1301	2.28	1364	2.40	1425	2.53	1484	2.67	1543	2.81	1600	2.96	--	--	--	--	--	--
3000	1273	2.34	1337	2.44	1399	2.56	1460	2.69	1520	2.83	1578	2.97	1635	3.12	--	--	--	--	--	--

- Standard Static Option with Motor rated at 2.4-hp
- Medium Static Option with Motor rated at 2.9-hp
- High Static Option with Motor rated at 3.7-hp
- Exceeds recommended blower speed

ZX08 (7.5 Ton) Side Duct

CFM	Available External Static																			
	0.2		0.4		0.6		0.8		1.0		1.2		1.4		1.6		1.8		2.0	
	RPM	BHP	RPM	BHP	RPM	BHP	RPM	BHP	RPM	BHP	RPM	BHP	RPM	BHP	RPM	BHP	RPM	BHP	RPM	BHP
2250	557	0.48	623	0.67	685	0.85	742	1.04	796	1.23	848	1.41	898	1.59	947	1.77	997	1.94	1049	2.11
2400	569	0.56	636	0.75	698	0.94	755	1.13	809	1.32	860	1.50	910	1.68	960	1.86	1010	2.03	1062	2.20
2600	588	0.69	655	0.88	716	1.07	773	1.26	827	1.44	879	1.63	929	1.81	978	1.98	1029	2.16	1080	2.32
2800	607	0.83	674	1.02	736	1.21	793	1.40	847	1.58	898	1.77	948	1.95	998	2.13	1048	2.30	1100	2.47
3000	628	0.99	695	1.18	757	1.37	814	1.56	868	1.74	919	1.92	969	2.11	1019	2.28	1069	2.45	--	--
3200	650	1.16	717	1.35	779	1.54	836	1.73	890	1.91	941	2.10	991	2.28	1041	2.45	1091	2.63	--	--
3400	673	1.35	740	1.54	802	1.73	859	1.91	913	2.10	964	2.28	1014	2.46	1064	2.64	--	--	--	--
3600	697	1.55	764	1.74	826	1.93	883	2.11	937	2.30	988	2.48	1038	2.67	1088	2.84	--	--	--	--
3750	716	1.71	783	1.90	844	2.09	901	2.28	955	2.46	1007	2.65	1057	2.83	1100	3.00	--	--	--	--

- Standard Static Option with Motor rated at 2.4-hp
- Medium Static Option with Motor rated at 2.9-hp
- High Static Option with Motor rated at 3.7-hp
- Exceeds recommended Blower speed

ZX09 (8.5 Ton) Side Duct

CFM	Available External Static																			
	0.2		0.4		0.6		0.8		1.0		1.2		1.4		1.6		1.8		2.0	
	RPM	BHP	RPM	BHP	RPM	BHP	RPM	BHP	RPM	BHP	RPM	BHP	RPM	BHP	RPM	BHP	RPM	BHP	RPM	BHP
2550	549	0.45	609	0.69	668	0.91	727	1.11	784	1.31	840	1.49	893	1.68	944	1.87	991	2.06	1035	2.25
2600	552	0.48	611	0.72	671	0.94	729	1.14	787	1.34	842	1.53	896	1.71	946	1.90	994	2.09	1038	2.29
2800	562	0.62	621	0.86	681	1.07	739	1.28	796	1.47	852	1.66	905	1.85	956	2.03	1004	2.22	1048	2.42
3000	573	0.77	632	1.00	692	1.22	750	1.43	807	1.62	863	1.81	917	2.00	967	2.18	1015	2.37	1059	2.57
3200	585	0.93	644	1.16	704	1.38	762	1.59	820	1.78	875	1.97	929	2.16	979	2.34	1027	2.53	1071	2.73
3400	598	1.10	658	1.34	717	1.55	776	1.76	833	1.95	889	2.14	942	2.33	993	2.51	1040	2.70	1084	2.90
3600	613	1.28	672	1.52	732	1.74	790	1.94	848	2.14	903	2.32	957	2.51	1008	2.70	1055	2.89	1099	3.08
3800	629	1.47	688	1.71	748	1.93	806	2.13	864	2.33	919	2.52	973	2.70	1024	2.89	1071	3.08	--	--
4000	646	1.68	706	1.91	765	2.13	824	2.34	881	2.53	937	2.72	990	2.90	1041	3.09	1088	3.28	--	--
4200	665	1.89	724	2.12	784	2.34	842	2.55	900	2.74	955	2.93	1009	3.11	1059	3.30	--	--	--	--
4250	670	1.94	729	2.18	789	2.40	847	2.60	904	2.80	960	2.98	1014	3.17	1064	3.35	--	--	--	--

- Standard Static Option with Motor rated at 2.4-hp
- Medium Static Option with Motor rated at 2.4-hp
- High Static Option with Motor rated at 3.7-hp
- Exceeds recommended Blower speed

ZX12 (10 Ton) Side Duct

CFM	Available External Static																			
	0.2		0.4		0.6		0.8		1.0		1.2		1.4		1.6		1.8		2.0	
	RPM	BHP	RPM	BHP	RPM	BHP	RPM	BHP	RPM	BHP	RPM	BHP	RPM	BHP	RPM	BHP	RPM	BHP	RPM	BHP
3000			689	0.94	740	1.19	790	1.44	841	1.70	891	1.94	941	2.19	990	2.43	1038	2.66	1085	2.89
3200	654	0.84	702	1.09	752	1.35	803	1.60	854	1.85	904	2.10	954	2.34	1003	2.58	1051	2.82	1098	3.04
3400	665	1.00	715	1.26	766	1.51	816	1.77	867	2.02	917	2.27	967	2.51	1016	2.75	1064	2.99	1111	3.21
3600	680	1.19	730	1.44	780	1.70	831	1.95	881	2.20	932	2.45	982	2.70	1031	2.94	1079	3.17	1125	3.40
3800	695	1.39	745	1.64	796	1.90	846	2.15	897	2.40	947	2.65	997	2.90	1046	3.14	1094	3.37	1141	3.60
4000	712	1.61	762	1.86	812	2.12	863	2.37	914	2.62	964	2.87	1014	3.12	1063	3.36	1111	3.59	1158	3.82
4200	729	1.85	779	2.10	830	2.36	881	2.61	931	2.86	982	3.11	1032	3.35	1081	3.59	1129	3.83	1174	4.06
4400	748	2.10	798	2.36	849	2.61	899	2.87	950	3.12	1000	3.37	1050	3.61	1099	3.85	1147	4.09	--	--
4600	768	2.38	818	2.64	869	2.89	919	3.15	970	3.40	1020	3.65	1070	3.89	1119	4.13	1167	4.36	--	--
4800	794	2.68	839	2.93	889	3.19	940	3.44	991	3.69	1041	3.94	1091	4.19	1140	4.43	--	--	--	--
5000	811	3.00	861	3.25	912	3.51	962	3.70	1013	4.01	1063	4.26	1113	4.50	1162	4.74	--	--	--	--

Standard Static Option with Motor rated at 2.4-hp
 Medium Static Option with Motor rated at 3.7-hp
 High Static Option with Motor rated at 5.25-hp
 Exceeds recommended Blower speed

ZX14 (12.5 Ton) Side Duct

CFM	Available External Static																			
	0.2		0.4		0.6		0.8		1.0		1.2		1.4		1.6		1.8		2.0	
	RPM	BHP	RPM	BHP	RPM	BHP	RPM	BHP	RPM	BHP	RPM	BHP	RPM	BHP	RPM	BHP	RPM	BHP	RPM	BHP
3750	684	1.33	741	1.56	792	1.81	840	2.07	884	2.33	927	2.60	971	2.85	1017	3.09	1066	3.30	1121	3.49
3800	688	1.38	745	1.61	797	1.85	844	2.12	888	2.38	932	2.65	976	2.90	1021	3.14	1071	3.35	1125	3.54
4000	706	1.58	763	1.81	814	2.06	861	2.32	906	2.59	949	2.85	993	3.11	1039	3.35	1088	3.56	1142	3.74
4200	724	1.81	781	2.04	832	2.29	879	2.55	924	2.82	967	3.08	1011	3.34	1057	3.57	1106	3.79	1160	3.97
4400	742	2.06	799	2.29	850	2.54	897	2.80	942	3.06	985	3.33	1029	3.58	1075	3.82	1124	4.03	1178	4.22
4600	760	2.32	817	2.55	869	2.80	916	3.06	960	3.33	1004	3.59	1048	3.85	1093	4.08	1143	4.30	--	--
4800	779	2.60	836	2.83	888	3.08	935	3.34	979	3.61	1023	3.88	1067	4.13	1112	4.37	1162	4.58	--	--
5000	799	2.91	856	3.14	907	3.39	954	3.65	999	3.91	1042	4.18	1086	4.43	1132	4.67	--	--	--	--
5200	819	3.23	876	3.46	927	3.71	974	3.97	1019	4.23	1062	4.50	1106	4.75	1152	4.99	--	--	--	--
5400	839	3.57	896	3.80	953	4.04	995	4.31	1039	4.57	1083	4.84	1127	5.09	--	--	--	--	--	--
5600	860	3.92	917	4.15	969	4.40	1016	4.66	1060	4.93	1104	5.19	--	--	--	--	--	--	--	--
5800	882	4.30	939	4.53	990	4.77	1037	5.04	--	--	--	--	--	--	--	--	--	--	--	--
6000	904	4.69	961	4.92	1012	5.17	--	--	--	--	--	--	--	--	--	--	--	--	--	--

Standard Static Option with Motor rated at 2.9-hp
 Medium Static Option with Motor rated at 3.7-hp
 High Static Option with Motor rated at 5.25-hp
 Field-supplied BK95 x 1 fixed pulley (p/n 1074787) with Motor rated at 5.25-hp
 Exceeds recommended Blower speed

ZX04-14 Bottom Duct Application (Belt Drive)

ZX04 (3.0 Ton) Bottom Duct

CFM	Available External Static																			
	0.2		0.4		0.6		0.8		1.0		1.2		1.4		1.6		1.8		2.0	
	RPM	BHP	RPM	BHP	RPM	BHP	RPM	BHP	RPM	BHP	RPM	BHP	RPM	BHP	RPM	BHP	RPM	BHP	RPM	BHP
900	792	0.14	879	0.25	968	0.37	1055	0.49	1141	0.61	1226	0.73	1308	0.84	1388	0.93	1466	1.01	1541	1.06
1000	804	0.18	893	0.29	981	0.41	1069	0.53	1155	0.66	1239	0.77	1322	0.88	1402	0.98	1480	1.05	1554	1.10
1100	819	0.23	909	0.34	997	0.46	1084	0.58	1171	0.71	1255	0.82	1337	0.93	1418	1.03	1495	1.10	1570	1.15
1200	837	0.29	926	0.40	1015	0.52	1102	0.64	1188	0.76	1273	0.88	1355	0.99	1435	1.08	1513	1.16	1588	1.21
1300	857	0.36	946	0.46	1035	0.58	1122	0.70	1208	0.83	1293	0.94	1375	1.05	1455	1.15	1533	1.22	--	--
1400	880	0.43	969	0.53	1058	0.65	1145	0.77	1231	0.90	1315	1.02	1398	1.12	1478	1.22	1556	1.29	--	--
1500	905	0.50	994	0.61	1082	0.73	1170	0.85	1256	0.97	1340	1.09	1423	1.20	1503	1.30	1581	1.37	--	--

$kW = 0.929 \times BHP$

- Medium Static Option with Motor rated at 2.4-hp
- High Static Option with Motor rated at 2.4-hp
- Exceeds recommended Blower speed

ZX05 (4.0 Ton) Bottom Duct

CFM	Available External Static																			
	0.2		0.4		0.6		0.8		1.0		1.2		1.4		1.6		1.8		2.0	
	RPM	BHP	RPM	BHP	RPM	BHP	RPM	BHP	RPM	BHP	RPM	BHP	RPM	BHP	RPM	BHP	RPM	BHP	RPM	BHP
1200	837	0.29	926	0.40	1015	0.52	1102	0.64	1188	0.76	1273	0.88	1355	0.99	1435	0.99	1513	1.16	1588	1.21
1300	857	0.36	946	0.46	1035	0.58	1122	0.70	1208	0.83	1293	0.94	1375	1.05	1455	1.05	1533	1.22	--	--
1400	880	0.43	969	0.53	1058	0.65	1145	0.77	1231	0.90	1315	1.02	1398	1.12	1478	1.12	1556	1.29	--	--
1500	905	0.50	994	0.61	1082	0.73	1170	0.85	1256	0.97	1340	1.09	1423	1.20	1503	1.20	1581	1.37	--	--
1600	932	0.59	1021	0.69	1110	0.81	1197	0.93	1283	1.06	1368	1.18	1450	1.28	1530	1.28	--	--	--	--
1700	962	0.68	1051	0.78	1140	0.90	1227	1.02	1313	1.15	1397	1.27	1480	1.37	1560	1.37	--	--	--	--
1800	994	0.77	1083	0.88	1172	1.00	1259	1.12	1345	1.24	1429	1.36	1512	1.47	1592	1.47	--	--	--	--
1900	1028	0.87	1117	0.98	1206	1.10	1293	1.22	1379	1.34	1464	1.46	1546	1.57	--	--	--	--	--	--
2000	1064	0.98	1154	1.09	1242	1.20	1330	1.33	1416	1.45	1500	1.57	1582	1.68	--	--	--	--	--	--

$kW = 0.929 \times BHP$

- Medium Static Option with Motor rated at 2.4-hp
- High Static Option with Motor rated at 2.4-hp
- Exceeds recommended Blower speed

ZX06 (5.0 Ton) Bottom Duct

CFM	Available External Static																			
	0.2		0.4		0.6		0.8		1.0		1.2		1.4		1.6		1.8		2.0	
	RPM	BHP	RPM	BHP	RPM	BHP	RPM	BHP	RPM	BHP	RPM	BHP	RPM	BHP	RPM	BHP	RPM	BHP	RPM	BHP
1500	1008	0.51	1080	0.64	1153	0.77	1227	0.90	1300	1.03	1373	1.15	1445	1.28	1514	1.40	1581	1.52	1644	1.64
1600	1040	0.60	1112	0.74	1185	0.87	1259	1.00	1332	1.13	1405	1.25	1477	1.38	1546	1.50	1613	1.62	1676	1.74
1700	1074	0.71	1146	0.85	1219	0.98	1293	1.11	1367	1.23	1439	1.36	1511	1.48	1580	1.61	1647	1.73	1711	1.85
1800	1111	0.83	1183	0.96	1256	1.09	1329	1.22	1403	1.35	1476	1.47	1547	1.60	1617	1.72	1684	1.84	1747	1.97
1900	1149	0.95	1221	1.09	1294	1.22	1368	1.35	1441	1.47	1514	1.60	1586	1.72	1655	1.85	1722	1.97	--	--
2000	1189	1.08	1261	1.22	1334	1.35	1408	1.48	1481	1.61	1554	1.73	1626	1.85	1695	1.98	1762	2.10	--	--
2100	1231	1.22	1303	1.36	1376	1.49	1449	1.62	1523	1.74	1596	1.87	1667	1.99	1737	2.12	--	--	--	--
2200	1274	1.37	1346	1.50	1419	1.64	1493	1.76	1566	1.89	1639	2.02	1711	2.14	--	--	--	--	--	--
2300	1318	1.52	1390	1.66	1463	1.79	1537	1.92	1611	2.05	1684	2.17	1755	2.29	--	--	--	--	--	--
2400	1364	1.68	1436	1.82	1509	1.95	1583	2.08	1657	2.21	1729	2.33	--	--	--	--	--	--	--	--
2500	1411	1.85	1483	1.99	1556	2.12	1630	2.25	1703	2.37	1776	2.50	--	--	--	--	--	--	--	--

- Medium Static Option with Motor rated at 2.4-hp
- High Static Option with Motor rated at 2.9-hp
- Exceeds recommended Blower speed

ZX07 (6.0 Ton) Bottom Duct

CFM	Available External Static																			
	0.2		0.4		0.6		0.8		1.0		1.2		1.4		1.6		1.8		2.0	
	RPM	BHP	RPM	BHP	RPM	BHP	RPM	BHP	RPM	BHP	RPM	BHP	RPM	BHP	RPM	BHP	RPM	BHP	RPM	BHP
1800	933	0.64	1000	0.79	1064	0.94	1126	1.09	1185	1.24	1243	1.38	1300	1.52	1356	1.64	1411	1.76	1466	1.86
1900	961	0.74	1028	0.89	1092	1.04	1153	1.19	1213	1.34	1271	1.49	1328	1.62	1384	1.75	1439	1.86	1494	1.97
2000	989	0.85	1055	1.00	1119	1.15	1181	1.31	1241	1.45	1299	1.60	1356	1.73	1411	1.86	1467	1.98	1521	2.08
2100	1017	0.97	1083	1.12	1147	1.27	1209	1.42	1269	1.57	1327	1.72	1384	1.85	1439	1.98	1495	2.09	1549	2.20
2200	1045	1.10	1112	1.25	1176	1.40	1238	1.55	1297	1.70	1355	1.84	1412	1.98	1468	2.10	1523	2.22	1578	2.32
2300	1075	1.23	1141	1.38	1205	1.53	1267	1.68	1327	1.83	1385	1.97	1441	2.11	1497	2.24	1552	2.35	1607	2.45
2400	1105	1.37	1171	1.52	1235	1.67	1297	1.82	1357	1.97	1415	2.11	1472	2.25	1527	2.38	1583	2.49	1637	2.59
2500	1136	1.52	1202	1.67	1266	1.82	1328	1.97	1388	2.12	1446	2.26	1503	2.40	1559	2.53	1614	2.64	--	--
2600	1168	1.67	1234	1.82	1298	1.97	1360	2.13	1420	2.27	1478	2.42	1535	2.55	1591	2.68	1638	2.80	--	--
2700	1201	1.84	1268	1.99	1332	2.14	1393	2.29	1453	2.44	1511	2.58	1568	2.72	1624	2.84	--	--	--	--
2800	1235	2.01	1302	2.16	1366	2.31	1428	2.46	1488	2.61	1546	2.75	1602	2.89	--	--	--	--	--	--
2900	1271	2.18	1338	2.33	1402	2.49	1463	2.64	1523	2.79	1581	2.93	1638	3.07	--	--	--	--	--	--
3000	1308	2.37	1374	2.52	1438	2.67	1500	2.82	1560	2.97	1618	3.12	--	--	--	--	--	--	--	--

Standard Static Option with Motor rated at 2.4-hp
 Medium Static Option with Motor rated at 2.9-hp
 High Static Option with Motor rated at 3.7-hp
 Exceeds recommended Blower speed

ZX08 (7.5 Ton) Bottom Duct

CFM	Available External Static																			
	0.2		0.4		0.6		0.8		1.0		1.2		1.4		1.6		1.8		2.0	
	RPM	BHP	RPM	BHP	RPM	BHP	RPM	BHP	RPM	BHP	RPM	BHP	RPM	BHP	RPM	BHP	RPM	BHP	RPM	BHP
2250	577	0.50	636	0.68	693	0.86	749	1.03	803	1.21	856	1.39	908	1.57	959	1.74	1009	1.91	1059	2.07
2400	591	0.59	650	0.77	707	0.95	763	1.13	817	1.31	870	1.48	922	1.66	973	1.83	1023	2.00	1073	2.17
2600	611	0.73	670	0.91	727	1.09	782	1.27	836	1.44	889	1.62	941	1.80	992	1.97	1043	2.14	1092	2.31
2800	631	0.88	690	1.06	747	1.24	803	1.42	857	1.60	910	1.77	962	1.95	1013	2.12	1063	2.29	--	--
3000	653	1.05	711	1.23	768	1.41	824	1.59	878	1.76	931	1.94	983	2.12	1034	2.29	1084	2.46	--	--
3200	675	1.23	733	1.41	790	1.59	846	1.77	900	1.94	953	2.12	1005	2.30	1056	2.47	1100	2.64	--	--
3400	697	1.42	755	1.60	813	1.78	868	1.96	922	2.14	975	2.31	1027	2.49	1078	2.66	--	--	--	--
3600	719	1.63	778	1.80	835	1.98	891	2.16	945	2.34	998	2.52	1050	2.69	1100	2.87	--	--	--	--
3750	736	1.78	795	1.96	852	2.14	908	2.32	962	2.50	1015	2.68	1067	2.85	--	--	--	--	--	--

Standard Static Option with Motor rated at 2.4-hp
 Medium Static Option with Motor rated at 2.9-hp
 High Static Option with Motor rated at 3.7-hp
 Exceeds recommended Blower speed




ZX09 (8.5 Ton) Bottom Duct

CFM	Available External Static																			
	0.2		0.4		0.6		0.8		1.0		1.2		1.4		1.6		1.8		2.0	
	RPM	BHP	RPM	BHP	RPM	BHP	RPM	BHP	RPM	BHP	RPM	BHP	RPM	BHP	RPM	BHP	RPM	BHP	RPM	BHP
2550	570	0.59	630	0.77	687	0.94	744	1.13	799	1.31	852	1.49	903	1.67	953	1.85	1002	2.01	1049	2.16
2600	573	0.63	632	0.80	690	0.98	747	1.16	801	1.34	855	1.53	906	1.71	956	1.88	1005	2.04	1052	2.19
2800	585	0.77	645	0.94	703	1.12	759	1.30	814	1.49	867	1.67	918	1.85	968	2.02	1017	2.18	1064	2.33
3000	599	0.92	658	1.10	716	1.27	773	1.46	827	1.64	880	1.82	932	2.00	982	2.18	1030	2.34	1077	2.49
3200	614	1.09	673	1.27	731	1.44	787	1.63	842	1.81	895	1.99	947	2.17	997	2.35	1045	2.51	1092	2.66
3400	630	1.28	690	1.45	747	1.62	804	1.81	859	1.99	912	2.18	963	2.35	1013	2.53	1062	2.69	--	--
3600	648	1.47	708	1.64	765	1.82	822	2.00	877	2.19	930	2.37	981	2.55	1031	2.72	1080	2.88	--	--
3800	668	1.67	727	1.84	785	2.02	841	2.20	896	2.39	949	2.57	1001	2.75	1051	2.92	1099	3.09	--	--
4000	689	1.89	748	2.06	806	2.23	863	2.42	917	2.60	971	2.79	1022	2.96	1072	3.14	--	--	--	--
4200	712	2.11	771	2.28	829	2.46	886	2.64	940	2.83	994	3.01	1045	3.19	1095	3.36	--	--	--	--
4250	718	2.17	777	2.34	842	2.52	892	2.70	946	2.88	1000	3.07	1051	3.24	1100	3.42	--	--	--	--

Standard Static Option with Motor rated at 2.4-hp
 Medium Static Option with Motor rated at 2.4-hp
 High Static Option with Motor rated at 3.7-hp

ZX12 (10 Ton) Bottom Duct

CFM	Available External Static																			
	0.2		0.4		0.6		0.8		1.0		1.2		1.4		1.6		1.8		2.0	
	RPM	BHP	RPM	BHP	RPM	BHP	RPM	BHP	RPM	BHP	RPM	BHP	RPM	BHP	RPM	BHP	RPM	BHP	RPM	BHP
3000	653	0.79	706	1.02	758	1.25	808	1.49	858	1.72	907	1.95	955	2.18	1003	2.40	1049	2.62	1095	2.82
3200	667	0.94	720	1.17	771	1.40	822	1.64	872	1.88	921	2.11	969	2.34	1016	2.56	1063	2.77	1109	2.97
3400	682	1.11	734	1.34	786	1.57	837	1.81	887	2.04	936	2.28	984	2.50	1031	2.73	1078	2.94	1124	3.14
3600	697	1.29	750	1.52	802	1.76	853	1.99	903	2.23	952	2.46	1000	2.69	1047	2.91	1094	3.12	1140	3.32
3800	714	1.50	767	1.73	819	1.96	870	2.20	920	2.43	969	2.67	1017	2.90	1064	3.12	1111	3.33	1157	3.53
4000	733	1.73	786	1.96	837	2.19	888	2.43	938	2.66	987	2.90	1035	3.12	1083	3.34	1129	3.56	1174	3.76
4200	753	1.98	806	2.21	857	2.44	908	2.68	958	2.91	1007	3.15	1055	3.37	1102	3.60	1149	3.81	--	--
4400	774	2.25	827	2.48	879	2.72	930	2.95	979	3.19	1028	3.42	1076	3.65	1124	3.87	1170	4.08	--	--
4600	797	2.55	850	2.78	902	3.02	952	3.25	1002	3.49	1051	3.72	1099	3.95	1147	4.17	--	--	--	--
4800	822	2.88	874	3.11	926	3.34	977	3.58	1027	3.81	1076	4.05	1124	4.27	1171	4.50	--	--	--	--
5000	848	3.23	901	3.46	952	3.69	1003	3.93	1053	4.16	1102	4.40	1150	4.62	--	--	--	--	--	--

 Standard Static Option with Motor rated at 2.4-hp
 Medium Static Option with Motor rated at 3.7-hp
 High Static Option with Motor rated at 5.25-hp

ZX14 (12.5 Ton) Bottom Duct

CFM	Available External Static																			
	0.2		0.4		0.6		0.8		1.0		1.2		1.4		1.6		1.8		2.0	
	RPM	BHP	RPM	BHP	RPM	BHP	RPM	BHP	RPM	BHP	RPM	BHP	RPM	BHP	RPM	BHP	RPM	BHP	RPM	BHP
3750	715	1.46	762	1.68	810	1.91	858	2.13	907	2.36	957	2.58	1008	2.80	1060	3.02	1113	3.24	1167	3.46
3800	720	1.51	766	1.73	814	1.96	862	2.18	911	2.41	961	2.63	1012	2.85	1064	3.07	1117	3.29	1171	3.51
4000	737	1.72	784	1.94	832	2.17	880	2.39	929	2.62	979	2.84	1030	3.07	1082	3.29	1135	3.51	--	--
4200	756	1.95	803	2.17	851	2.40	899	2.63	948	2.85	998	3.07	1049	3.30	1101	3.52	1154	3.74	--	--
4400	777	2.20	824	2.42	871	2.65	920	2.87	969	3.10	1019	3.32	1069	3.55	1121	3.77	1174	3.98	--	--
4600	799	2.47	846	2.69	893	2.92	941	3.14	990	3.37	1040	3.59	1091	3.81	1143	4.04	--	--	--	--
4800	822	2.75	869	2.98	916	3.20	965	3.43	1014	3.65	1064	3.88	1114	4.10	1166	4.32	--	--	--	--
5000	846	3.06	893	3.28	941	3.51	989	3.73	1038	3.96	1088	4.18	1139	4.41	--	--	--	--	--	--
5200	872	3.39	919	3.61	966	3.83	1015	4.06	1064	4.28	1114	4.51	1164	4.73	--	--	--	--	--	--
5400	899	3.73	946	3.95	993	4.18	1042	4.40	1091	4.63	1141	4.85	--	--	--	--	--	--	--	--
5600	927	4.09	974	4.32	1021	4.54	1070	4.77	1119	4.99	1169	5.22	--	--	--	--	--	--	--	--
5800	956	4.47	1003	4.70	1051	4.92	1099	5.15	--	--	--	--	--	--	--	--	--	--	--	--
6000	987	4.87	1034	5.10	--	--	--	--	--	--	--	--	--	--	--	--	--	--	--	--

 Standard Static Option with Motor rated at 2.4-hp
 Medium Static Option with Motor rated at 3.7-hp
 High Static Option with Motor rated at 5.25-hp

ZY04-12 Side Duct Application (Belt Drive)**ZY04 (3.0 Ton) Side Duct**

CFM	Available External Static																			
	0.2		0.4		0.6		0.8		1.0		1.2		1.4		1.6		1.8		2.0	
	RPM	BHP	RPM	BHP	RPM	BHP	RPM	BHP	RPM	BHP	RPM	BHP	RPM	BHP	RPM	BHP	RPM	BHP	RPM	BHP
900			874	0.31	972	0.40	1065	0.50	1153	0.60	1236	0.70	1315	0.80	1390	0.89	1460	0.97	1526	1.05
1000			887	0.36	985	0.45	1078	0.55	1165	0.65	1249	0.75	1328	0.85	1402	0.94	1472	1.03	1539	1.10
1100	797	0.33	900	0.42	998	0.51	1091	0.61	1179	0.71	1263	0.81	1341	0.91	1416	1.00	1486	1.08	1553	1.16
1200	813	0.40	916	0.48	1014	0.57	1107	0.67	1195	0.77	1279	0.87	1357	0.97	1432	1.06	1502	1.15	1569	1.22
1300	831	0.46	935	0.55	1033	0.64	1126	0.74	1214	0.84	1297	0.94	1376	1.03	1450	1.13	1520	1.21	1583	1.28
1400	852	0.53	956	0.61	1054	0.71	1146	0.80	1234	0.90	1318	1.00	1396	1.10	1471	1.19	1541	1.28	--	--
1500	876	0.59	979	0.68	1077	0.77	1170	0.87	1258	0.97	1341	1.07	1420	1.17	1494	1.26	1565	1.34	--	--

$$\text{kW} = 0.929 \times \text{BHP}$$

	Medium Static Option with Motor rated at 2.4-hp
	High Static Option with Motor rated at 2.4-hp
	Exceeds recommended blower speed

ZY05 (4.0 Ton) Side Duct

CFM	Available External Static																			
	0.2		0.4		0.6		0.8		1.0		1.2		1.4		1.6		1.8		2.0	
	RPM	BHP	RPM	BHP	RPM	BHP	RPM	BHP	RPM	BHP	RPM	BHP	RPM	BHP	RPM	BHP	RPM	BHP	RPM	BHP
1200	840	0.30	927	0.41	1012	0.53	1096	0.65	1177	0.77	1257	0.89	1334	1.01	1411	1.12	1485	1.22	1558	1.31
1300	857	0.35	944	0.47	1029	0.59	1112	0.71	1194	0.83	1273	0.95	1351	1.07	1427	1.18	1502	1.28	1574	1.37
1400	875	0.42	962	0.53	1048	0.65	1131	0.77	1212	0.89	1292	1.01	1370	1.13	1446	1.24	1520	1.34	1593	1.43
1500	897	0.49	984	0.60	1069	0.72	1152	0.84	1233	0.96	1313	1.08	1391	1.20	1467	1.31	1542	1.41	--	--
1600	921	0.56	1008	0.67	1093	0.79	1176	0.91	1258	1.04	1337	1.16	1415	1.27	1491	1.38	1566	1.49	--	--
1700	948	0.64	1035	0.76	1120	0.87	1204	1.00	1285	1.12	1365	1.24	1442	1.36	1518	1.47	1593	1.57	--	--
1800	979	0.73	1066	0.85	1151	0.96	1234	1.08	1315	1.21	1395	1.33	1473	1.44	1549	1.56	--	--	--	--
1900	1012	0.83	1099	0.94	1185	1.06	1268	1.18	1349	1.30	1429	1.42	1507	1.54	1583	1.65	--	--	--	--
2000	1049	0.93	1136	1.04	1222	1.16	1305	1.28	1386	1.40	1466	1.52	1544	1.64	--	--	--	--	--	--

$$\text{kW} = 0.929 \times \text{BHP}$$

	Medium Static Option with Motor rated at 2.4-hp
	High Static Option with Motor rated at 2.9-hp
	Exceeds recommended blower speed

ZY06 (5.0 Ton) Side Duct

CFM	Available External Static																			
	0.2		0.4		0.6		0.8		1.0		1.2		1.4		1.6		1.8		2.0	
	RPM	BHP	RPM	BHP	RPM	BHP	RPM	BHP	RPM	BHP	RPM	BHP	RPM	BHP	RPM	BHP	RPM	BHP	RPM	BHP
1500	810	0.49	883	0.60	954	0.70	1023	0.80	1089	0.91	1152	1.02	1213	1.14	1269	1.26	1323	1.40	1373	1.55
1600	831	0.58	904	0.68	975	0.79	1044	0.89	1110	1.00	1173	1.11	1233	1.22	1290	1.35	1344	1.49	1394	1.64
1700	854	0.66	927	0.77	998	0.87	1067	0.98	1133	1.08	1196	1.19	1256	1.31	1313	1.44	1367	1.57	1417	1.72
1800	878	0.75	952	0.86	1023	0.96	1091	1.07	1157	1.17	1221	1.28	1281	1.40	1338	1.52	1391	1.66	1441	1.81
1900	904	0.84	977	0.95	1048	1.05	1117	1.16	1183	1.26	1246	1.37	1306	1.49	1363	1.61	1417	1.75	1467	1.90
2000	931	0.93	1004	1.04	1075	1.15	1144	1.25	1210	1.36	1273	1.47	1333	1.58	1390	1.71	1444	1.84	1494	1.99
2100	959	1.03	1032	1.14	1103	1.24	1172	1.35	1238	1.45	1301	1.56	1361	1.68	1418	1.81	1472	1.94	1522	2.09
2200	988	1.13	1061	1.24	1132	1.35	1201	1.45	1267	1.56	1330	1.67	1390	1.78	1447	1.91	1501	2.04	1550	2.19
2300	1017	1.24	1091	1.35	1162	1.45	1230	1.56	1296	1.66	1359	1.77	1420	1.89	1477	2.02	1530	2.15	1580	2.30
2400	1047	1.36	1121	1.46	1192	1.57	1260	1.67	1326	1.78	1390	1.89	1450	2.01	1507	2.13	1560	2.27	--	--
2500	1078	1.48	1151	1.58	1222	1.69	1291	1.79	1357	1.90	1420	2.01	1480	2.13	1537	2.25	1591	2.39	--	--

	Medium Static Option with Motor rated at 2.4-hp
	High Static Option with Motor rated at 2.9-hp
	Exceeds recommended blower speed

ZY07 (6.0 Ton) Side Duct

CFM	Available External Static																			
	0.2		0.4		0.6		0.8		1.0		1.2		1.4		1.6		1.8		2.0	
	RPM	BHP	RPM	BHP	RPM	BHP	RPM	BHP	RPM	BHP	RPM	BHP	RPM	BHP	RPM	BHP	RPM	BHP	RPM	BHP
1800	521	0.27	583	0.44	644	0.63	703	0.81	759	0.99	814	1.17	866	1.34	916	1.51	964	1.67	1010	1.83
1900	529	0.31	591	0.49	651	0.67	710	0.85	767	1.03	821	1.21	874	1.39	924	1.56	972	1.72	1017	1.87
2000	536	0.36	598	0.54	659	0.72	718	0.90	774	1.08	829	1.26	881	1.44	931	1.61	979	1.77	1025	1.92
2100	544	0.42	606	0.59	667	0.77	725	0.95	782	1.14	836	1.32	889	1.49	939	1.66	987	1.82	1032	1.97
2200	551	0.47	614	0.65	674	0.83	733	1.01	789	1.19	844	1.37	896	1.55	947	1.72	994	1.88	1040	2.03
2300	559	0.53	622	0.71	682	0.89	741	1.07	797	1.25	852	1.43	904	1.61	954	1.77	1002	1.94	1048	2.09
2400	567	0.59	630	0.77	690	0.95	749	1.13	805	1.31	860	1.49	912	1.67	962	1.84	1010	2.00	1056	2.15
2500	575	0.66	638	0.83	698	1.01	757	1.20	813	1.38	868	1.56	920	1.73	970	1.90	1018	2.06	1064	2.22
2600	584	0.73	646	0.90	707	1.08	765	1.26	822	1.45	876	1.63	929	1.80	979	1.97	1027	2.13	1072	2.28
2700	592	0.80	655	0.97	715	1.15	774	1.34	830	1.52	885	1.70	937	1.87	987	2.04	1035	2.20	1081	2.36
2800	601	0.87	664	1.05	724	1.23	783	1.41	839	1.59	894	1.77	946	1.95	996	2.12	1044	2.28	1090	2.43
2900	610	0.95	673	1.13	733	1.31	792	1.49	848	1.67	903	1.85	955	2.03	1005	2.20	1053	2.36	1099	2.51
3000	619	1.03	682	1.21	742	1.39	801	1.57	858	1.75	912	1.93	964	2.11	1015	2.28	1063	2.44	--	--

 Standard Static Option with Motor rated at 2.4-hp
 Medium Static Option with Motor rated at 2.9-hp
 High Static Option with Motor rated at 3.7-hp
 Exceeds recommended blower speed

ZY08 (7.5 Ton) Side Duct

CFM	Available External Static																			
	0.2		0.4		0.6		0.8		1.0		1.2		1.4		1.6		1.8		2.0	
	RPM	BHP	RPM	BHP	RPM	BHP	RPM	BHP	RPM	BHP	RPM	BHP	RPM	BHP	RPM	BHP	RPM	BHP	RPM	BHP
2250	547	0.39	610	0.60	670	0.81	727	1.01	783	1.21	836	1.41	888	1.59	939	1.78	989	1.96	1038	2.13
2400	556	0.47	619	0.69	679	0.90	736	1.10	792	1.30	845	1.49	897	1.68	948	1.86	998	2.04	1047	2.22
2600	568	0.60	631	0.81	691	1.02	749	1.22	804	1.42	857	1.61	909	1.80	960	1.99	1010	2.17	1059	2.34
2800	581	0.73	644	0.95	704	1.16	762	1.36	817	1.56	871	1.75	923	1.94	973	2.13	1023	2.31	1073	2.48
3000	595	0.89	658	1.10	718	1.31	776	1.51	831	1.71	885	1.91	937	2.09	988	2.28	1038	2.46	1087	2.63
3200	610	1.05	673	1.27	733	1.48	791	1.68	846	1.88	900	2.07	952	2.26	1003	2.44	1053	2.62	--	--
3400	627	1.23	689	1.45	750	1.66	807	1.86	863	2.06	916	2.25	968	2.44	1019	2.62	1069	2.80	--	--
3600	644	1.42	707	1.64	767	1.85	824	2.05	880	2.25	933	2.44	985	2.63	1036	2.82	1086	3.00	--	--
3750	657	1.58	720	1.79	780	2.00	838	2.20	893	2.40	947	2.60	999	2.78	1049	2.97	1099	3.15	--	--

 Standard Static Option with Motor rated at 2.4-hp
 Medium Static Option with Motor rated at 2.4-hp
 High Static Option with Motor rated at 3.7-hp
 Exceeds recommended blower speed

ZY09 (8.5 Ton) Side Duct

CFM	Available External Static																			
	0.2		0.4		0.6		0.8		1.0		1.2		1.4		1.6		1.8		2.0	
	RPM	BHP	RPM	BHP	RPM	BHP	RPM	BHP	RPM	BHP	RPM	BHP	RPM	BHP	RPM	BHP	RPM	BHP	RPM	BHP
2550	565	0.56	628	0.78	688	0.99	745	1.19	801	1.39	854	1.58	906	1.77	957	1.95	1007	2.13	1056	2.31
2600	568	0.60	631	0.81	691	1.02	749	1.22	804	1.42	857	1.61	909	1.80	960	1.99	1010	2.17	1059	2.34
2800	581	0.73	644	0.95	704	1.16	762	1.36	817	1.56	871	1.75	923	1.94	973	2.13	1023	2.31	1073	2.48
3000	595	0.89	658	1.10	718	1.31	776	1.51	831	1.71	885	1.91	937	2.09	988	2.28	1038	2.46	1087	2.63
3200	610	1.05	673	1.27	733	1.48	791	1.68	846	1.88	900	2.07	952	2.26	1003	2.44	1053	2.62	1100	2.80
3400	627	1.23	689	1.45	750	1.66	807	1.86	863	2.06	916	2.25	968	2.44	1019	2.62	1069	2.80	--	--
3600	644	1.42	707	1.64	767	1.85	824	2.05	880	2.25	933	2.44	985	2.63	1036	2.82	1086	3.00	--	--
3800	662	1.63	725	1.84	785	2.05	842	2.26	898	2.46	951	2.65	1003	2.84	1054	3.02	1100	3.20	--	--
4000	681	1.85	744	2.06	804	2.27	861	2.47	917	2.67	970	2.87	1022	3.05	1073	3.24	--	--	--	--
4200	701	2.08	764	2.29	824	2.50	881	2.70	937	2.90	990	3.09	1042	3.28	1093	3.47	--	--	--	--
4250	706	2.14	769	2.35	829	2.56	887	2.76	942	2.96	996	3.15	1048	3.34	1098	3.53	--	--	--	--

 Standard Static Option with Motor rated at 2.4-hp
 Medium Static Option with Motor rated at 2.4-hp
 High Static Option with Motor rated at 3.7-hp
 Field-supplied AK79 x 1 fixed pulley (p/n 9381) with Motor rated at 3.7-hp
 Exceeds recommended blower speed

ZY12 (10 Ton) Side Duct

CFM	Available External Static																			
	0.2		0.4		0.6		0.8		1.0		1.2		1.4		1.6		1.8		2.0	
	RPM	BHP	RPM	BHP	RPM	BHP	RPM	BHP	RPM	BHP	RPM	BHP	RPM	BHP	RPM	BHP	RPM	BHP	RPM	BHP
3000	653	0.79	706	1.02	758	1.25	808	1.49	858	1.72	907	1.95	955	2.18	1003	2.40	1049	2.62	1095	2.82
3200	667	0.94	720	1.17	771	1.40	822	1.64	872	1.88	921	2.11	969	2.34	1016	2.56	1063	2.77	1109	2.97
3400	682	1.11	734	1.34	786	1.57	837	1.81	887	2.04	936	2.28	984	2.50	1031	2.73	1078	2.94	1124	3.14
3600	697	1.29	750	1.52	802	1.76	853	1.99	903	2.23	952	2.46	1000	2.69	1047	2.91	1094	3.12	1140	3.32
3800	714	1.50	767	1.73	819	1.96	870	2.20	920	2.43	969	2.67	1017	2.90	1064	3.12	1111	3.33	1157	3.53
4000	733	1.73	786	1.96	837	2.19	888	2.43	938	2.66	987	2.90	1035	3.12	1083	3.34	1129	3.56	1174	3.76
4200	753	1.98	806	2.21	857	2.44	908	2.68	958	2.91	1007	3.15	1055	3.37	1102	3.60	1149	3.81	--	--
4400	774	2.25	827	2.48	879	2.72	930	2.95	979	3.19	1028	3.42	1076	3.65	1124	3.87	1170	4.08	--	--
4600	797	2.55	850	2.78	902	3.02	952	3.25	1002	3.49	1051	3.72	1099	3.95	1147	4.17	--	--	--	--
4800	822	2.88	874	3.11	926	3.34	977	3.58	1027	3.81	1076	4.05	1124	4.27	1171	4.50	--	--	--	--
5000	848	3.23	901	3.46	952	3.69	1003	3.93	1053	4.16	1102	4.40	1150	4.62	--	--	--	--	--	--

- Standard Static Option with Motor rated at 2.4-hp
- Medium Static Option with Motor rated at 3.7-hp
- High Static Option with Motor rated at 5.25-hp
- Exceeds recommended blower speed

ZY04-12 Bottom Duct Application (Belt Drive)

ZY04 (3.0 Ton) Bottom Duct

CFM	Available External Static																			
	0.2		0.4		0.6		0.8		1.0		1.2		1.4		1.6		1.8		2.0	
	RPM	BHP	RPM	BHP	RPM	BHP	RPM	BHP	RPM	BHP	RPM	BHP	RPM	BHP	RPM	BHP	RPM	BHP	RPM	BHP
900			878	0.26	976	0.37	1070	0.47	1161	0.58	1247	0.67	1329	0.76	1405	0.85	1477	0.93	1543	1.00
1000	792	0.20	894	0.31	992	0.42	1087	0.52	1177	0.62	1263	0.72	1345	0.81	1422	0.90	1493	0.98	1560	1.05
1100	810	0.26	912	0.37	1010	0.47	1104	0.58	1195	0.68	1281	0.77	1363	0.87	1439	0.95	1511	1.03	1577	1.11
1200	829	0.32	931	0.43	1029	0.54	1124	0.64	1214	0.74	1300	0.84	1382	0.93	1459	1.02	1530	1.10	1593	1.17
1300	850	0.39	952	0.50	1050	0.61	1145	0.71	1235	0.81	1321	0.91	1403	1.00	1480	1.09	1552	1.17	--	--
1400	874	0.47	975	0.58	1073	0.69	1168	0.79	1258	0.89	1344	0.99	1426	1.08	1503	1.17	1575	1.25	--	--
1500	899	0.56	1000	0.67	1098	0.77	1193	0.88	1283	0.98	1370	1.07	1451	1.17	1528	1.25	1600	1.33	--	--

$kW = 0.929 \times BHP$

	Medium Static Option with Motor rated at 2.4-hp
	High Static Option with Motor rated at 2.4-hp
--	Exceeds recommended blower speed

ZY05 (4.0 Ton) Bottom Duct

CFM	Available External Static																			
	0.2		0.4		0.6		0.8		1.0		1.2		1.4		1.6		1.8		2.0	
	RPM	BHP	RPM	BHP	RPM	BHP	RPM	BHP	RPM	BHP	RPM	BHP	RPM	BHP	RPM	BHP	RPM	BHP	RPM	BHP
1200	840	0.37	929	0.46	1016	0.56	1101	0.68	1184	0.80	1265	0.93	1345	1.04	1423	1.14	1500	1.22	1576	1.28
1300	858	0.43	947	0.52	1035	0.62	1120	0.74	1203	0.86	1284	0.99	1364	1.10	1442	1.20	1519	1.28	1593	1.34
1400	879	0.49	968	0.58	1055	0.69	1140	0.81	1224	0.93	1305	1.05	1385	1.17	1463	1.27	1540	1.35	--	--
1500	903	0.56	992	0.65	1079	0.76	1164	0.88	1247	1.00	1328	1.12	1408	1.24	1486	1.34	1563	1.42	--	--
1600	929	0.64	1018	0.73	1105	0.83	1190	0.95	1273	1.07	1354	1.20	1434	1.31	1512	1.41	1589	1.49	--	--
1700	957	0.72	1047	0.81	1134	0.91	1219	1.03	1302	1.15	1383	1.28	1463	1.39	1541	1.49	--	--	--	--
1800	989	0.80	1078	0.89	1165	1.00	1250	1.12	1333	1.24	1415	1.36	1494	1.47	1572	1.58	--	--	--	--
1900	1023	0.89	1112	0.98	1199	1.08	1284	1.20	1367	1.33	1449	1.45	1528	1.56	--	--	--	--	--	--
2000	1059	0.98	1149	1.07	1236	1.18	1321	1.29	1404	1.42	1485	1.54	1565	1.65	--	--	--	--	--	--

$kW = 0.929 \times BHP$

	Medium Static Option with Motor rated at 2.4-hp
	High Static Option with Motor rated at 2.9-hp
--	Exceeds recommended blower speed

ZY06 (5.0 Ton) Bottom Duct

CFM	Available External Static																			
	0.2		0.4		0.6		0.8		1.0		1.2		1.4		1.6		1.8		2.0	
	RPM	BHP	RPM	BHP	RPM	BHP	RPM	BHP	RPM	BHP	RPM	BHP	RPM	BHP	RPM	BHP	RPM	BHP	RPM	BHP
1500	840	0.48	910	0.58	977	0.67	1042	0.77	1106	0.87	1166	0.98	1225	1.08	1280	1.19	1334	1.30	1384	1.41
1600	866	0.55	935	0.65	1003	0.74	1068	0.84	1131	0.94	1192	1.04	1250	1.15	1306	1.26	1359	1.37	1410	1.48
1700	892	0.63	961	0.72	1029	0.82	1094	0.92	1157	1.02	1218	1.12	1276	1.23	1332	1.33	1385	1.44	1436	1.56
1800	918	0.71	987	0.81	1055	0.90	1120	1.00	1183	1.10	1244	1.21	1302	1.31	1358	1.42	1411	1.53	1462	1.64
1900	944	0.80	1014	0.90	1081	1.00	1146	1.09	1209	1.19	1270	1.30	1329	1.40	1384	1.51	1438	1.62	1488	1.73
2000	971	0.90	1041	1.00	1108	1.09	1174	1.19	1237	1.29	1297	1.39	1356	1.50	1412	1.61	1465	1.72	1516	1.83
2100	999	1.01	1069	1.10	1136	1.20	1202	1.30	1265	1.40	1326	1.50	1384	1.60	1440	1.71	1493	1.82	1544	1.93
2200	1028	1.12	1098	1.21	1165	1.31	1231	1.41	1294	1.51	1355	1.61	1413	1.72	1469	1.82	1522	1.93	1573	2.05
2300	1058	1.24	1128	1.33	1195	1.43	1261	1.53	1324	1.63	1385	1.73	1443	1.83	1499	1.94	1552	2.05	--	--
2400	1090	1.36	1159	1.46	1227	1.55	1292	1.65	1355	1.75	1416	1.85	1474	1.96	1530	2.07	1583	2.18	--	--
2500	1122	1.49	1191	1.59	1259	1.68	1324	1.78	1387	1.88	1448	1.98	1506	2.09	1562	2.20	1615	2.31	--	--

	Medium Static Option with Motor rated at 2.4-hp
	High Static Option with Motor rated at 2.9-hp
--	Exceeds recommended blower speed

ZY07 (6.0 Ton) Bottom Duct

CFM	Available External Static																			
	0.2		0.4		0.6		0.8		1.0		1.2		1.4		1.6		1.8		2.0	
	RPM	BHP	RPM	BHP	RPM	BHP	RPM	BHP	RPM	BHP	RPM	BHP	RPM	BHP	RPM	BHP	RPM	BHP	RPM	BHP
1800	525	0.31	590	0.48	653	0.65	713	0.82	770	0.98	825	1.15	878	1.31	928	1.48	976	1.65	1022	1.83
1900	534	0.36	599	0.53	661	0.71	721	0.87	779	1.03	834	1.20	886	1.36	936	1.53	984	1.70	1030	1.88
2000	542	0.41	607	0.59	670	0.76	730	0.93	787	1.09	842	1.25	895	1.42	945	1.58	993	1.75	1039	1.93
2100	551	0.47	616	0.65	678	0.82	738	0.99	796	1.15	850	1.31	903	1.47	953	1.64	1001	1.81	1047	1.99
2200	559	0.53	624	0.71	687	0.88	747	1.05	804	1.21	859	1.37	912	1.54	962	1.70	1010	1.88	1056	2.05
2300	568	0.60	634	0.78	696	0.95	756	1.11	813	1.28	868	1.44	921	1.60	971	1.77	1019	1.94	1065	2.12
2400	578	0.66	643	0.84	705	1.01	765	1.18	823	1.34	878	1.51	930	1.67	981	1.84	1029	2.01	1074	2.19
2500	588	0.74	653	0.91	715	1.08	775	1.25	833	1.41	888	1.58	940	1.74	991	1.91	1039	2.08	1084	2.26
2600	598	0.81	663	0.99	725	1.16	785	1.32	843	1.49	898	1.65	950	1.81	1001	1.98	1049	2.15	1094	2.33
2700	609	0.88	674	1.06	736	1.23	796	1.40	853	1.56	908	1.72	961	1.89	1011	2.05	1059	2.23	--	--
2800	620	0.96	685	1.14	747	1.31	807	1.47	864	1.64	919	1.80	972	1.96	1022	2.13	1070	2.30	--	--
2900	631	1.04	696	1.22	759	1.39	819	1.55	876	1.72	931	1.88	984	2.04	1034	2.21	1082	2.38	--	--
3000	643	1.12	708	1.30	771	1.47	830	1.64	888	1.80	943	1.96	996	2.12	1046	2.29	1094	2.46	--	--

Standard Static Option with Motor rated at 2.4-hp
Medium Static Option with Motor rated at 2.9-hp
High Static Option with Motor rated at 3.7-hp
-- Exceeds recommended blower speed

ZY08 (7.5 Ton) Bottom Duct

CFM	Available External Static																			
	0.2		0.4		0.6		0.8		1.0		1.2		1.4		1.6		1.8		2.0	
	RPM	BHP	RPM	BHP	RPM	BHP	RPM	BHP	RPM	BHP	RPM	BHP	RPM	BHP	RPM	BHP	RPM	BHP	RPM	BHP
2250	556	0.45	621	0.65	683	0.83	742	1.00	798	1.18	852	1.34	904	1.51	954	1.69	1003	1.87	1050	2.06
2400	567	0.53	632	0.73	694	0.91	753	1.09	809	1.26	863	1.43	914	1.60	964	1.77	1013	1.95	1060	2.14
2600	580	0.65	646	0.85	707	1.03	766	1.21	823	1.38	876	1.55	928	1.72	978	1.89	1027	2.07	1074	2.27
2800	595	0.79	660	0.99	722	1.17	780	1.35	837	1.52	890	1.69	942	1.86	992	2.03	1041	2.21	1088	2.40
3000	609	0.94	674	1.14	736	1.32	795	1.50	851	1.67	905	1.83	957	2.00	1007	2.18	1056	2.36	1100	2.55
3200	625	1.10	690	1.30	752	1.48	810	1.66	867	1.83	921	2.00	972	2.17	1022	2.34	1071	2.52	--	--
3400	641	1.28	706	1.47	768	1.66	827	1.83	883	2.00	937	2.17	989	2.34	1039	2.52	1087	2.70	--	--
3600	658	1.47	723	1.66	785	1.85	844	2.02	900	2.19	954	2.36	1006	2.53	1056	2.70	1100	2.89	--	--
3750	672	1.61	737	1.81	799	1.99	858	2.17	914	2.34	968	2.51	1019	2.68	1069	2.85	--	--	--	--

Standard Static Option with Motor rated at 2.4-hp
Medium Static Option with Motor rated at 2.4-hp
High Static Option with Motor rated at 3.7-hp
-- Exceeds recommended blower speed

ZY09 (8.5 Ton) Bottom Duct

CFM	Available External Static																			
	0.2		0.4		0.6		0.8		1.0		1.2		1.4		1.6		1.8		2.0	
	RPM	BHP	RPM	BHP	RPM	BHP	RPM	BHP	RPM	BHP	RPM	BHP	RPM	BHP	RPM	BHP	RPM	BHP	RPM	BHP
2550	577	0.62	642	0.82	704	1.00	763	1.18	819	1.35	873	1.52	925	1.69	975	1.86	1023	2.04	1071	2.23
2600	580	0.65	646	0.85	707	1.03	766	1.21	823	1.38	876	1.55	928	1.72	978	1.89	1027	2.07	1074	2.27
2800	595	0.79	660	0.99	722	1.17	780	1.35	837	1.52	890	1.69	942	1.86	992	2.03	1041	2.21	1088	2.40
3000	609	0.94	674	1.14	736	1.32	795	1.50	851	1.67	905	1.83	957	2.00	1007	2.18	1056	2.36	1103	2.55
3200	625	1.10	690	1.30	752	1.48	810	1.66	867	1.83	921	2.00	972	2.17	1022	2.34	1071	2.52	--	--
3400	641	1.28	706	1.47	768	1.66	827	1.83	883	2.00	937	2.17	989	2.34	1039	2.52	1087	2.70	--	--
3600	658	1.47	723	1.66	785	1.85	844	2.02	900	2.19	954	2.36	1006	2.53	1056	2.70	1104	2.89	--	--
3800	676	1.67	742	1.86	803	2.04	862	2.22	918	2.39	972	2.56	1024	2.73	1074	2.90	--	--	--	--
4000	696	1.88	761	2.07	823	2.26	882	2.43	938	2.60	992	2.77	1043	2.94	1093	3.12	--	--	--	--
4200	716	2.10	781	2.29	843	2.48	902	2.65	958	2.82	1012	2.99	1064	3.16	1114	3.34	--	--	--	--
4250	721	2.16	786	2.35	848	2.53	907	2.71	963	2.88	1017	3.05	1069	3.22	1119	3.39	--	--	--	--

Standard Static Option with Motor rated at 2.4-hp
Medium Static Option with Motor rated at 2.4-hp
High Static Option with Motor rated at 3.7-hp
Bold Field-supplied AK79 x 1 fixed pulley (p/n 9381) with Motor rated at 3.7-hp
-- Exceeds recommended blower speed

ZY12 (10 Ton) Bottom Duct

CFM	Available External Static																			
	0.2		0.4		0.6		0.8		1.0		1.2		1.4		1.6		1.8		2.0	
	RPM	BHP	RPM	BHP	RPM	BHP	RPM	BHP	RPM	BHP	RPM	BHP	RPM	BHP	RPM	BHP	RPM	BHP	RPM	BHP
2600	626	0.50	679	0.73	731	0.97	782	1.20	831	1.44	880	1.67	928	1.90	976	2.12	1022	2.33	1068	2.53
2800	639	0.64	692	0.87	744	1.11	795	1.34	845	1.58	894	1.81	942	2.04	989	2.26	1036	2.47	1082	2.67
3000	653	0.79	706	1.02	758	1.25	808	1.49	858	1.72	907	1.95	955	2.18	1003	2.40	1049	2.62	1095	2.82
3200	667	0.94	720	1.17	771	1.40	822	1.64	872	1.88	921	2.11	969	2.34	1016	2.56	1063	2.77	1109	2.97
3400	682	1.11	734	1.34	786	1.57	837	1.81	887	2.04	936	2.28	984	2.50	1031	2.73	1078	2.94	1124	3.14
3600	697	1.29	750	1.52	802	1.76	853	1.99	903	2.23	952	2.46	1000	2.69	1047	2.91	1094	3.12	1140	3.32
3800	714	1.50	767	1.73	819	1.96	870	2.20	920	2.43	969	2.67	1017	2.90	1064	3.12	1111	3.33	1157	3.53
4000	733	1.73	786	1.96	837	2.19	888	2.43	938	2.66	987	2.90	1035	3.12	1083	3.34	1129	3.56	1175	3.76
4200	753	1.98	806	2.21	857	2.44	908	2.68	958	2.91	1007	3.15	1055	3.37	1102	3.60	1149	3.81	1195	4.01
4400	774	2.25	827	2.48	879	2.72	930	2.95	979	3.19	1028	3.42	1076	3.65	1124	3.87	1170	4.08	1216	4.28
4600	797	2.55	850	2.78	902	3.02	952	3.25	1002	3.49	1051	3.72	1099	3.95	1147	4.17	1193	4.38	1239	4.58
4800	822	2.88	874	3.11	926	3.34	977	3.58	1027	3.81	1076	4.05	1124	4.27	1171	4.50	1218	4.71	--	--
5000	848	3.23	901	3.46	952	3.69	1003	3.93	1053	4.16	1102	4.40	1150	4.62	1197	4.84	1242	5.06	--	--

- Standard Static Option with Motor rated at 2.4-hp
- Medium Static Option with Motor rated at 3.7-hp
- High Static Option with Motor rated at 5.25-hp
- Exceeds recommended blower speed

ZX04-06 Side Duct Application (Direct Drive)**ZX04-06 Side Duct (Cooling)**

Unit (Ton)	Motor Speed	Available External Static														
		0.2			0.4			0.6			0.8			1.0		
		CFM	WATTS	RPM	CFM	WATTS	RPM	CFM	WATTS	RPM	CFM	WATTS	RPM	CFM	WATTS	RPM
ZX04 (3)	1 (LOW)	968	118	648	808	143	768	723	166	874	582	185	980	450	207	1073
	2 (MED/LOW)	1068	144	678	928	171	795	828	193	888	730	217	988	600	237	1080
	3 (MED)	1156	163	690	1029	196	817	910	219	904	820	242	996	708	268	1092
	4 (MED/HI)	1190	178	706	1069	211	827	942	235	917	872	260	1003	772	286	1095
	5 (HI)	1321	230	754	1228	261	855	1081	293	956	1012	318	1031	934	344	1112
ZX05 (4)	1 (LOW)	1323	208	720	1211	238	827	1066	268	922	936	294	1007	856	317	1082
	2 (MED/LOW)	1416	244	751	1325	278	851	1203	309	944	1050	336	1028	950	360	1104
	3 (MED)	1564	300	783	1475	337	881	1357	379	986	1234	405	1054	1099	430	1130
	4 (MED/HI)	1645	339	808	1556	380	906	1461	417	994	1341	450	1076	1201	474	1143
	5 (HI)	1778	427	860	1703	461	942	1618	503	1025	1514	542	1114	1288	508	1154
ZX06 (5)	1 (LOW)	1612	353	857	1533	390	943	1454	409	998	1399	430	1047	1275	460	1134
	2 (MED/LOW)	1761	442	916	1717	491	988	1623	522	1064	1614	536	1086	1391	519	1154
	3 (MED)	1912	565	976	1865	601	1044	1789	638	1113	1674	619	1141	1430	559	1156
	4 (MED/HI)	1976	649	1021	1912	679	1085	1800	661	1135	1667	628	1149	1442	544	1162
	5 (HI)	2301	936	1112	2055	818	1140	1850	718	1155	1714	635	1162	1450	554	1169

ZX04-06 Side Duct (Gas Heat)

Unit (Ton)	Motor Speed	Available External Static														
		0.2			0.4			0.6			0.8			1.0		
		CFM	WATTS	RPM	CFM	WATTS	RPM	CFM	WATTS	RPM	CFM	WATTS	RPM	CFM	WATTS	RPM
ZX04 (3)	1 (LOW)	982	125	674	856	145	783	746	169	894	634	194	1005	512	210	1094
	2 (MED/LOW)	1083	150	707	980	176	812	879	201	914	765	223	1014	638	246	1117
	3 (MED)	1157	173	731	1068	198	828	958	226	931	866	251	1023	740	274	1125
	4 (MED/HI)	1202	189	747	1114	215	839	1008	243	941	905	265	1028	797	292	1131
	5 (HI)	1332	244	799	1257	269	879	1164	300	973	1068	327	1056	968	349	1139
ZX05 (4)	1 (LOW)	1295	224	778	1216	249	861	1103	275	950	980	300	1042	870	325	1131
	2 (MED/LOW)	1397	267	816	1316	291	891	1221	320	975	1112	351	1064	1007	376	1148
	3 (MED)	1527	334	869	1455	359	939	1374	383	1007	1273	417	1089	1116	422	1163
	4 (MED/HI)	1607	378	900	1534	405	965	1457	433	1035	1374	462	1106	1139	432	1165
	5 (HI)	1739	463	960	1682	495	1017	1613	524	1075	1521	543	1138	1181	449	1168
ZX06 (5)	1 (LOW)	1618	370	918	1524	408	996	1440	432	1063	1355	457	1128	1087	400	1169
	2 (MED/LOW)	1731	488	998	1671	513	1055	1601	546	1121	1448	510	1155	1131	422	1175
	3 (MED)	1842	615	1079	1801	630	1123	1644	585	1147	1461	519	1162	1110	414	1177
	4 (MED/HI)	1919	683	1112	1828	657	1135	1661	599	1153	1447	518	1164	1088	406	1177
	5 (HI)	1978	755	1147	1845	693	1155	1677	619	1164	1470	536	1175	1111	418	1185

ZX04-06 Bottom Duct Application (Direct Drive)**ZX04-06 Bottom Duct (Cooling)**

Unit (Ton)	Motor Speed	Available External Static														
		0.2			0.4			0.6			0.8			1.0		
		CFM	WATTS	RPM	CFM	WATTS	RPM	CFM	WATTS	RPM	CFM	WATTS	RPM	CFM	WATTS	RPM
ZX04 (3)	1 (LOW)	960	125	675	828	144	778	711	169	895	574	193	1006	424	210	1094
	2 (MED/LOW)	1043	150	706	919	176	818	750	196	901	704	221	1017	571	246	1110
	3 (MED)	1125	172	723	1019	199	831	905	225	926	802	251	1029	666	277	1128
	4 (MED/HI)	1138	190	752	1049	218	849	937	245	945	839	270	1039	722	296	1138
	5 (HI)	1283	245	801	1209	270	882	1101	302	978	1002	326	1057	883	346	1148
ZX05 (4)	1 (LOW)	1270	229	789	1171	255	875	1014	280	963	947	300	1030	822	324	1117
	2 (MED/LOW)	1352	268	825	1264	295	904	1134	328	992	1038	351	1062	968	372	1129
	3 (MED)	1485	338	878	1401	365	954	1322	390	1019	1173	425	1108	1088	434	1178
	4 (MED/HI)	1554	380	909	1481	411	981	1404	441	1048	1258	470	1127	1092	437	1159
	5 (HI)	1682	474	971	1613	504	1034	1544	536	1100	1441	538	1142	1115	450	1169
ZX06 (5)	1 (LOW)	1561	365	884	1482	389	953	1400	414	1021	1301	449	1114	1142	434	1165
	2 (MED/LOW)	1712	471	961	1653	502	1010	1581	527	1079	1477	541	1145	1122	434	1170
	3 (MED)	1835	592	1014	1778	618	1075	1701	633	1128	1515	578	1153	1167	452	1173
	4 (MED/HI)	1941	671	1054	1844	685	1109	1708	643	1136	1498	570	1153	1151	449	1177
	5 (HI)	2099	841	1134	1932	759	1144	1778	692	1155	1601	617	1170	1175	458	1180

ZX04-06 Bottom Duct (Gas Heat)

Unit (Ton)	Motor Speed	Available External Static														
		0.2			0.4			0.6			0.8			1.0		
		CFM	WATTS	RPM	CFM	WATTS	RPM	CFM	WATTS	RPM	CFM	WATTS	RPM	CFM	WATTS	RPM
ZX04 (3)	1 (LOW)	965	126	683	834	150	801	711	171	913	596	193	1013	474	210	1101
	2 (MED/LOW)	1053	152	716	941	177	822	830	203	930	723	229	1035	603	246	1120
	3 (MED)	1134	177	744	1029	201	840	910	229	945	814	255	1045	710	282	1142
	4 (MED/HI)	1176	192	758	1086	217	851	968	246	953	872	272	1049	773	299	1145
	5 (HI)	1306	247	812	1224	274	897	1123	304	987	1020	332	1075	874	337	1157
ZX05 (4)	1 (LOW)	1266	235	815	1184	258	894	1062	289	993	971	315	1076	861	338	1159
	2 (MED/LOW)	1378	279	850	1295	306	929	1186	332	1012	1077	357	1095	946	370	1170
	3 (MED)	1502	347	909	1435	372	971	1356	400	1043	1246	426	1117	1030	395	1175
	4 (MED/HI)	1573	398	946	1515	421	1002	1438	445	1066	1334	473	1139	1042	399	1172
	5 (HI)	1702	492	1007	1649	511	1051	1582	542	1117	1400	507	1153	1048	405	1175
ZX06 (5)	1 (LOW)	1538	391	963	1473	411	1018	1390	435	1078	1290	456	1148	927	366	1177
	2 (MED/LOW)	1688	508	1036	1615	533	1095	1574	544	1135	1359	491	1162	943	370	1177
	3 (MED)	1812	630	1107	1718	614	1140	1575	572	1155	1382	502	1169	970	379	1182
	4 (MED/HI)	1853	671	1131	1727	630	1146	1576	574	1155	1372	501	1169	975	381	1183
	5 (HI)	1901	718	1154	1738	644	1162	1603	595	1169	1378	508	1177	956	378	1185

ZY04-06 Side Duct Application (Direct Drive)

ZY04-06 Side Duct (Cooling)

Unit (Ton)	Motor Speed	Available External Static														
		0.2			0.4			0.6			0.8			1.0		
		CFM	WATTS	RPM	CFM	WATTS	RPM	CFM	WATTS	RPM	CFM	WATTS	RPM	CFM	WATTS	RPM
ZY04 (3)	1 (LOW)	987	120	651	813	145	774	698	162	864	541	180	959	383	201	1047
	2 (MED/LOW)	1079	144	677	936	171	795	793	190	886	692	214	975	521	232	1063
	3 (MED)	1153	166	701	1037	195	812	875	221	913	786	239	986	654	263	1076
	4 (MED/HI)	1191	178	712	1086	206	815	927	233	916	837	257	998	711	278	1083
	5 (HI)	1326	229	757	1235	261	856	1124	291	951	973	319	1035	896	336	1099
ZY05 (4)	1 (LOW)	1302	207	727	1188	240	841	1037	266	933	941	296	1022	882	318	1098
	2 (MED/LOW)	1421	247	757	1323	282	861	1209	315	958	1064	346	1043	993	368	1116
	3 (MED)	1538	297	795	1453	332	888	1343	367	982	1216	396	1058	1093	427	1146
	4 (MED/HI)	1571	315	809	1496	352	898	1385	389	996	1288	420	1072	1135	444	1147
	5 (HI)	1779	432	878	1707	470	960	1615	511	1042	1516	544	1123	1165	468	1160
ZY06 (5)	1 (LOW)	1588	298	695	1517	330	761	1409	358	835	1273	393	913	1167	418	973
	2 (MED/LOW)	1624	321	713	1557	352	777	1464	383	845	1315	418	924	1224	446	983
	3 (MED)	1942	504	792	1881	536	852	1800	565	908	1714	605	969	1611	644	1038
	4 (MED/HI)	2146	631	840	2064	692	908	2001	713	954	1932	757	1007	1843	794	1065
	5 (HI)	2316	812	892	2240	861	954	2181	894	1000	2113	938	1045	2003	946	1093

ZY04-06 Side Duct (Gas Heat)

Unit (Ton)	Motor Speed	Available External Static														
		0.2			0.4			0.6			0.8			1.0		
		CFM	WATTS	RPM	CFM	WATTS	RPM	CFM	WATTS	RPM	CFM	WATTS	RPM	CFM	WATTS	RPM
ZY04 (3)	1 (LOW)	978	125	684	853	149	797	734	172	906	596	190	998	445	203	1068
	2 (MED/LOW)	1078	153	721	962	175	817	846	200	922	726	226	1026	599	241	1098
	3 (MED)	1153	178	748	1045	199	837	934	226	937	831	251	1031	709	272	1114
	4 (MED/HI)	1187	191	760	1097	216	851	987	243	947	879	268	1040	770	287	1121
	5 (HI)	1315	248	819	1239	272	895	1138	300	980	1037	323	1062	922	343	1144
ZY05 (4)	1 (LOW)	1299	223	786	1226	249	871	1137	273	956	1031	303	1051	923	329	1143
	2 (MED/LOW)	1413	272	832	1349	299	906	1266	325	982	1160	352	1070	1042	370	1155
	3 (MED)	1514	327	878	1456	353	942	1389	381	1014	1298	408	1089	1133	405	1165
	4 (MED/HI)	1556	350	895	1502	375	957	1434	400	1022	1344	427	1097	1140	408	1167
	5 (HI)	1751	472	972	1698	502	1033	1639	534	1088	1543	536	1142	1156	420	1172
ZY06 (5)	1 (LOW)	1528	328	781	1427	356	850	1346	386	912	1256	410	969	1181	434	1022
	2 (MED/LOW)	1575	362	803	1488	391	871	1401	419	929	1319	445	985	1247	469	1037
	3 (MED)	1867	572	902	1795	601	963	1709	628	1015	1633	652	1061	1544	671	1110
	4 (MED/HI)	2049	718	968	1969	768	1026	1902	788	1070	1808	802	1110	1637	744	1132
	5 (HI)	2218	899	1021	2138	928	1074	2007	907	1105	1846	842	1123	1671	767	1139

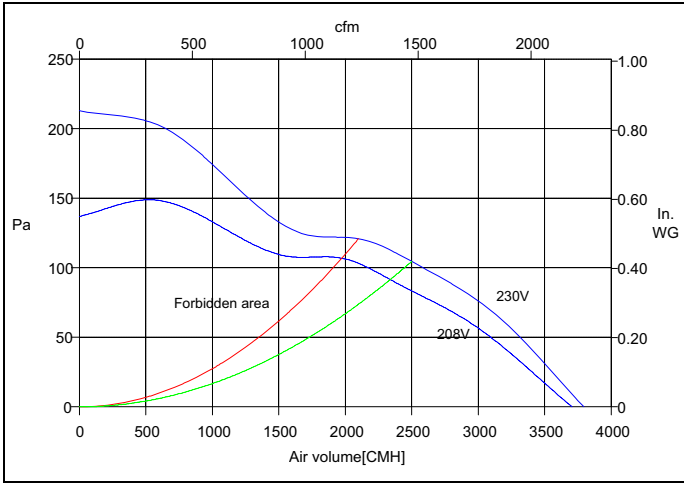
ZY04-06 Bottom Duct Application (Direct Drive)**ZY04-06 Bottom Duct (Cooling)**

Unit (Ton)	Motor Speed	Available External Static														
		0.2			0.4			0.6			0.8			1.0		
		CFM	WATTS	RPM	CFM	WATTS	RPM	CFM	WATTS	RPM	CFM	WATTS	RPM	CFM	WATTS	RPM
ZY04 (3)	1 (LOW)	929	128	699	782	148	794	663	164	880	514	187	976	377	202	1053
	2 (MED/LOW)	1036	157	732	870	177	827	803	198	905	649	217	996	508	236	1074
	3 (MED)	1106	181	760	956	204	849	878	225	928	755	245	1010	616	266	1092
	4 (MED/HI)	1147	197	776	1042	218	860	916	243	944	820	262	1017	671	286	1103
	5 (HI)	1272	252	830	1177	277	909	1037	304	986	975	323	1053	872	347	1125
ZY05 (4)	1 (LOW)	1256	220	776	1170	242	851	1077	266	931	988	298	1025	872	321	1113
	2 (MED/LOW)	1350	272	828	1279	292	893	1196	320	966	1105	347	1048	1003	372	1131
	3 (MED)	1449	323	866	1380	350	937	1303	370	996	1223	402	1071	1133	428	1149
	4 (MED/HI)	1488	345	882	1418	374	954	1357	394	1006	1264	424	1083	1160	442	1155
	5 (HI)	1677	471	966	1602	507	1034	1543	525	1083	1475	545	1131	1209	465	1162
ZY06 (5)	1 (LOW)	1548	310	720	1441	336	792	1337	370	864	1213	397	928	1097	421	988
	2 (MED/LOW)	1593	337	738	1488	363	805	1381	394	875	1271	425	937	1150	451	997
	3 (MED)	1880	532	827	1792	563	890	1719	588	944	1632	629	1006	1527	652	1061
	4 (MED/HI)	2066	689	895	1999	712	942	1907	761	999	1830	773	1048	1734	809	1100
	5 (HI)	2237	862	949	2163	882	996	2097	929	1036	1998	946	1085	1815	883	1115

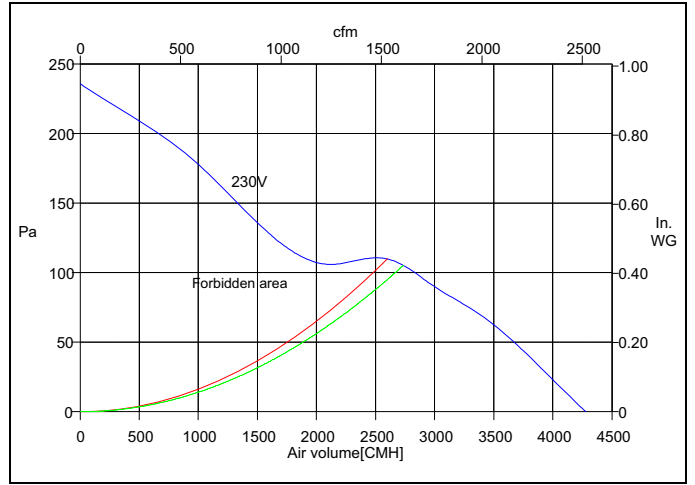
ZY04-06 Bottom Duct (Gas Heat)

Unit (Ton)	Motor Speed	Available External Static														
		0.2			0.4			0.6			0.8			1.0		
		CFM	WATTS	RPM	CFM	WATTS	RPM	CFM	WATTS	RPM	CFM	WATTS	RPM	CFM	WATTS	RPM
ZY04 (3)	1 (LOW)	969	130	703	839	151	810	717	174	916	569	191	1006	444	204	1069
	2 (MED/LOW)	1063	158	741	955	180	834	828	204	938	709	227	1030	583	242	1100
	3 (MED)	1135	182	769	1041	208	858	919	229	952	805	254	1045	681	275	1127
	4 (MED/HI)	1184	199	786	1079	220	869	972	246	962	863	272	1054	731	293	1139
	5 (HI)	1310	256	842	1225	279	917	1123	307	1001	1029	334	1083	863	335	1155
ZY05 (4)	1 (LOW)	1277	228	801	1196	251	878	1096	278	967	983	305	1062	873	329	1156
	2 (MED/LOW)	1382	278	847	1307	302	916	1217	327	994	1108	355	1083	949	359	1164
	3 (MED)	1486	331	888	1417	359	957	1331	385	1028	1237	410	1103	1023	385	1169
	4 (MED/HI)	1521	356	911	1452	380	972	1374	403	1039	1294	437	1117	1028	392	1174
	5 (HI)	1717	473	991	1653	509	1052	1586	538	1107	1443	521	1150	1052	394	1175
ZY06 (5)	1 (LOW)	1488	335	787	1400	363	851	1320	389	910	1242	416	969	1160	440	1027
	2 (MED/LOW)	1536	364	803	1453	392	864	1363	419	924	1293	447	981	1212	471	1037
	3 (MED)	1822	586	914	1752	602	966	1666	632	1017	1586	656	1066	1503	676	1113
	4 (MED/HI)	1999	726	982	1932	761	1030	1860	809	1076	1753	799	1114	1598	749	1134
	5 (HI)	2170	932	1040	2091	930	1084	1965	910	1109	1798	843	1127	1618	763	1139

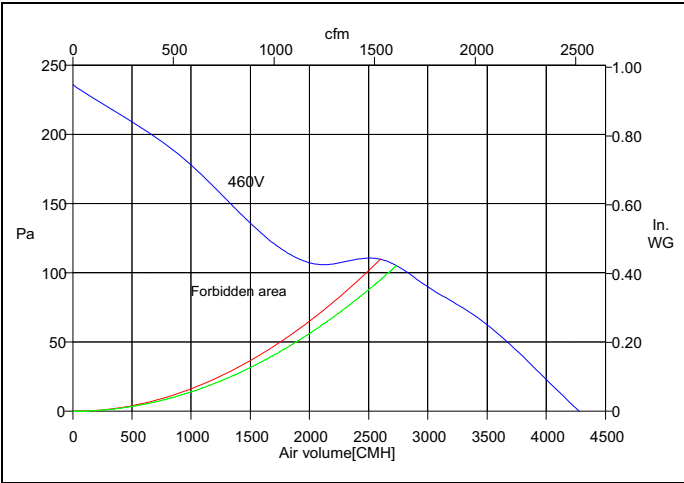
Power Exhaust Blower Curves



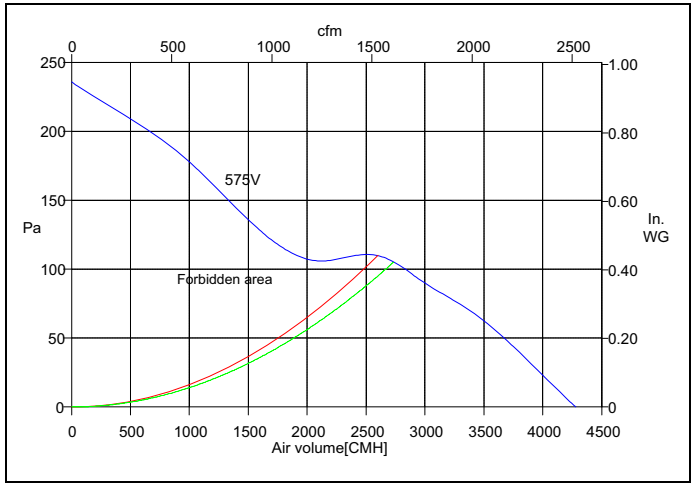
208/280-1-60 Power Exhaust Fan Curve



208/280-3-60 Power Exhaust Fan Curve



460-3-60 Power Exhaust Fan Curve



575-3-50 Power Exhaust Fan Curve

Electrical Data

ZX04-14 Standard Static Indoor Blower - Without Powered Convenience Outlet

Size (Tons)	Nominal Unit Voltage	Compressor 1			Compressor 2			OD Fan Motors (each)	Supply Blower Motor	Pwr Exh Motor	Pwr Conv Outlet	Electric Heat Field Installed Kit 2EK045*				MCA ¹ (Amps)	Min Fuse ^{2/} Breaker ³ Size (Amps)	Max Fuse ^{2/} Breaker ³ Size (Amps)	Min Disconnect Rating ⁴		MCA ¹ w/Pwr Exh (Amps)	Min Fuse ^{2/} Breaker ³ Size w/ Pwr Exh (Amps)	Max Fuse ^{2/} Breaker ³ Size w/ Pwr Exh (Amps)	Min Disconnect Rating ⁴ / Pwr Exh			
		RLA	LRA	MCC	RLA	LRA	MCC					Model	kW	Stages	Amps				FLA	LRA				FLA	LRA		
04 (3)	208-1-60	16.7	79	26				1.4	6.6	1.5		None	-	-	-	28.9	30	45	28	84	30.4	35	45	30	88		
												10625	4.9	1	23.6	37.8	40	45	35	84	39.6	40	45	36	88		
												11125	7.9	1	38	55.8	60	60	51	84	57.6	60	60	53	88		
	230-1-60	16.7	79	26				1.4	6	1.3			None	-	-	-	28.3	30	40	28	84	29.6	30	45	29	87	
													10625	6.5	1	27.1	41.4	45	45	38	84	43	45	45	40	87	
													11125	10.5	1	43.8	62.3	70	70	57	84	63.9	70	70	59	87	
	208-3-60	10.4	73	16				1.4	6.6	1.1			None	-	-	-	21	25	30	21	78	22.1	25	30	22	81	
													10625	4.9	1	13.6	25.3	30	30	23	78	26.6	30	30	24	81	
													11125	7.9	1	21.9	35.6	40	40	33	78	37	40	40	34	81	
	230-3-60	10.4	73	16				1.4	6	1			None	-	-	-	20.4	25	30	20	78	21.4	25	30	22	81	
													10625	6.5	1	15.6	27	30	30	25	78	28.3	30	30	26	81	
													11125	10.5	1	25.3	39.1	40	40	36	78	40.4	45	45	37	81	
	460-3-60	5.8	38	9				0.8	3.2	0.5			None	-	-	-	11.3	15	15	11	42	11.8	15	15	12	43	
													10646	6	1	7.2	13	15	15	12	42	13.6	15	12	13	43	
													11146	11.5	1	13.8	21.3	25	25	20	42	21.9	25	20	20	43	
	05 (4)	208-1-60	21.8	117	34				1.4	8.4	1.5		None	-	-	-	37.1	40	50	36	122	38.6	40	60	38	126	
													10625	4.9	1	23.6	40	40	50	37	122	41.9	45	60	39	126	
													11125	7.9	1	38	58	60	60	53	122	59.9	60	60	55	126	
		230-1-60	21.8	117	34				1.4	7.6	1.3			None	-	-	-	36.3	40	50	35	122	37.6	40	50	37	125
														10625	6.5	1	27.1	43.4	45	50	40	122	45	45	50	41	125
														11125	10.5	1	43.8	64.3	70	70	59	122	65.9	70	70	61	125
		208-3-60	13.7	83.1	21				1.4	8.4	1.1			None	-	-	-	26.9	30	40	27	88	28	30	40	28	91
														10625	4.9	1	13.6	27.5	30	40	27	88	28.9	30	40	28	91
														11125	7.9	1	21.9	37.9	40	40	35	88	39.3	40	40	36	91
230-3-60		13.7	83.1	21				1.4	7.6	1			None	-	-	-	26.1	30	35	26	88	27.1	30	40	27	91	
													10625	6.5	1	15.6	29	30	35	27	88	30.3	35	40	28	91	
													11125	10.5	1	25.3	41.1	45	45	38	88	42.4	45	45	39	91	
460-3-60		6.2	41	10				0.8	4	0.5			None	-	-	-	12.6	15	15	13	45	13.1	15	15	13	46	
													10646	6	1	7.2	14	15	15	13	45	14.6	15	13	13	46	
													11146	11.5	1	13.8	22.3	25	25	20	45	22.9	25	20	21	46	
06 (5)		208-1-60	26.3	134	41				2.3	8.4	1.5		None	-	-	-	43.6	45	60	43	141	45.1	50	70	44	144	
													10625	4.9	1	23.6	43.6	45	60	43	141	45.1	50	70	44	144	
													11125	7.9	1	38	58	60	60	53	141	59.9	60	70	55	144	
		230-1-60	26.3	134	41				2.3	7.6	1.3			None	-	-	-	42.8	45	60	42	141	44.1	45	70	43	144
														10625	6.5	1	27.1	43.4	45	60	42	141	45	45	70	43	144
														11125	10.5	1	43.8	64.3	70	70	59	141	65.9	70	70	61	144
		208-3-60	15.6	110	24				2.3	8.4	1.1			None	-	-	-	30.2	35	45	30	117	31.3	35	45	32	119
														10625	4.9	1	13.6	30.2	35	45	30	117	31.3	35	45	32	119
														11125	7.9	1	21.9	37.9	40	45	35	117	39.3	40	45	36	119
	230-3-60	15.6	110	24				2.3	7.6	1			None	-	-	-	29.4	30	45	29	117	30.4	35	45	30	119	
													10625	6.5	1	15.6	29.4	30	45	29	117	30.4	35	45	30	119	
													11125	10.5	1	25.3	41.1	45	45	38	117	42.4	45	45	39	119	
	460-3-60	7.8	52	12				1.3	4	0.5			None	-	-	-	15.1	20	20	15	57	15.6	20	20	16	58	
													10646	6	1	7.2	15.1	20	20	13	57	15.6	20	13	13	58	
													11146	11.5	1	13.8	22.3	25	25	20	57	22.9	25	20	21	58	
													11446	14	1	16.8	26	30	24	57	26.6	30	24	24	58		

ZX04-14 Standard Static Indoor Blower - Without Powered Convenience Outlet (Continued)

Size (Tons)	Nominal Unit Voltage	Compressor 1			Compressor 2			OD Fan Motors (each)	Supply Blower Motor	Pwr Exh Motor	Pwr Conv Outlet	Electric Heat Field Installed Kit 2EK045*				MCA ¹ (Amps)	Min Fuse ² / Breaker ³ Size (Amps)	Max Fuse ² / Breaker ³ Size (Amps)	Min Disconnect Rating ⁴		MCA ¹ w/Pwr Exh (Amps)	Min Fuse ² / Breaker ³ Size w/ Pwr Exh (Amps)	Max Fuse ² / Breaker ³ Size w/ Pwr Exh (Amps)	Min Disconnect Rating ⁴ / Pwr Exh		
		RLA	LRA	MCC	RLA	LRA	MCC					Model	kW	Stages	Amps				FLA	LRA				FLA	LRA	
07 (6)	208-3-60	19.6	136	31				2.3	5.2	1.1		None	-	-	-	32	35	50	31	163	33.1	35	50	32	166	
												10625	4.9	1	13.6	32	35	50	31	163	33.1	35	50	32	166	
												11125	7.9	1	21.9	33.9	35	50	31	163	35.3	40	50	32	166	
												11625	12	1	33.3	48.1	50	50	44	163	49.5	50	50	46	166	
	230-3-60	19.6	136	31				2.3	5.2	1			None	-	-	-	32	35	50	31	166	33	35	50	32	168
													10625	6.5	1	15.6	32	35	50	31	166	33	35	50	32	168
													11125	10.5	1	25.3	38.1	40	50	35	166	39.4	40	50	36	168
													11625	16	1	38.5	54.6	60	60	50	166	55.9	60	60	51	168
	460-3-60	8.2	66.1	13				1.3	2.6	0.5			None	-	-	-	14.2	15	20	14	82	14.7	15	20	14	83
													10646	6	1	7.2	14.2	15	20	11	82	14.7	15	11	12	83
													11146	11.5	1	13.8	20.5	25	25	19	82	21.1	25	19	19	83
													11446	14	1	16.8	24.3	25	25	22	82	24.9	25	22	23	83
575-3-60	6.6	55.3	10				1.1	2	0.4			None	-	-	-	11.4	15	15	11	68	11.8	15	15	12	69	
08 (7.5)	208-3-60	13.6	83.1	21	13.6	83.1	21	2.3	5.2	1.1		None	-	-	-	40.4	45	50	43	208	42.6	45	50	45	218	
												11725	12	1	33.3	48.1	50	50	44	208	50.9	60	60	47	218	
												12525	18.6	1	51.6	71	80	80	65	208	73.8	80	80	68	218	
												13225	24	1	66.6	89.8	90	90	83	208	92.5	100	100	85	218	
	230-3-60	13.6	83.1	21	13.6	83.1	21	2.3	5.2	1			None	-	-	-	40.4	45	50	43	211	42.4	45	50	45	206
													11725	16	1	38.5	54.6	60	60	50	211	57.1	60	60	53	206
													12525	24.8	1	59.7	81.1	90	90	75	211	83.6	90	90	77	206
													13225	32	1	77	102.8	110	110	95	211	105.3	110	110	97	206
	460-3-60	6.1	41	10	6.1	41	10	1.3	2.6	0.5			None	-	-	-	18.9	20	25	20	106	19.9	20	25	21	103
													11746	16.5	1	19.8	28	30	30	26	106	29.3	30	26	27	103
													12846	27.8	1	33.4	45	45	45	41	106	46.3	50	41	43	103
													13346	33	1	39.7	52.9	60	60	49	106	54.1	60	49	50	103
	575-3-60	4.2	33	7	4.2	33	7	1.1	2	0.4			None	-	-	-	13.7	15	15	14	85	14.5	15	15	15	83
													11725	12	1	33.3	48.1	50	50	45	238	44.6	45	50	47	248
													12525	18.6	1	51.6	71	80	80	65	238	73.8	80	80	68	248
													13225	24	1	66.6	89.8	90	90	83	238	92.5	100	100	85	248
09 (8.5)	208-3-60	14.5	98	23	14.5	98	23	2.3	5.2	1.1		None	-	-	-	42.4	45	50	45	241	44.4	45	50	47	236	
												11725	16	1	38.5	54.6	60	60	50	241	57.1	60	60	53	236	
												12525	24.8	1	59.7	81.1	90	90	75	241	83.6	90	90	77	236	
												13225	32	1	77	102.8	110	110	95	241	105.3	110	110	97	236	
	230-3-60	14.5	98	23	14.5	98	23	2.3	5.2	1			None	-	-	-	19.4	20	25	20	134	20.4	25	25	22	131
													11746	16.5	1	19.8	28	30	30	26	134	29.3	30	26	27	131
													12846	27.8	1	33.4	45	45	45	41	134	46.3	50	41	43	131
													13346	33	1	39.7	52.9	60	60	49	134	54.1	60	49	50	131
	575-3-60	6	41	9	6	41	9	1.1	2	0.4			None	-	-	-	17.7	20	20	19	101	18.5	20	20	20	99

ZX04-14 Standard Static Indoor Blower - Without Powered Convenience Outlet (Continued)

Size (Tons)	Nominal Unit Voltage	Compressor 1			Compressor 2			OD Fan Motors (each)	Supply Blower Motor	Pwr Exh Motor	Pwr Conv Outlet	Electric Heat Field Installed Kit 2EK045*				MCA ¹ (Amps)	Min Fuse ^{2/3} Breaker ³ Size (Amps)	Max Fuse ^{2/3} Breaker ³ Size (Amps)	Min Disconnect Rating ⁴		MCA ¹ w/Pwr Exh (Amps)	Min Fuse ^{2/3} Breaker ³ Size w/ Pwr Exh (Amps)	Max Fuse ^{2/3} Breaker ³ Size w/ Pwr Exh (Amps)	Min Disconnect Rating ⁴ / Pwr Exh		
		RLA	LRA	MCC	RLA	LRA	MCC					Model	kW	Stages	Amps				FLA	LRA				FLA	LRA	
12 (10)	208-3-60	16	110	25	15.6	110	24	2.3	5.2	1.1		None	-	-	-	45.4	50	60	48	262	47.6	50	60	50	272	
												11725	12	1	33.3	48.1	50	60	48	262	50.9	60	60	50	272	
												12525	18.6	1	51.6	71	80	80	65	262	73.8	80	80	68	272	
												13225	24	1	66.6	89.8	90	90	83	262	92.5	100	100	85	272	
												14225	31.8	2	88.3	116.9	125	125	108	262	119.6	125	125	110	272	
	230-3-60	16	110	25	15.6	110	24	2.3	5.2	1			None	-	-	-	45.4	50	60	48	265	47.4	50	60	50	260
													11725	16	1	38.5	54.6	60	60	50	265	57.1	60	60	53	260
													12525	24.8	1	59.7	81.1	90	90	75	265	83.6	90	90	77	260
													13225	32	1	77	102.8	110	110	95	265	105.3	110	110	97	260
													14225	42.4	2	102	134	150	150	123	265	136.5	150	150	126	260
	460-3-60	7.8	52	12	7.8	52	12	1.3	2.6	0.5			None	-	-	-	22.8	25	30	24	128	23.8	25	30	25	125
													11746	16.5	1	19.8	28	30	30	26	128	29.3	30	26	27	125
12846													27.8	1	33.4	45	45	45	41	128	46.3	50	41	43	125	
13346													33	1	39.7	52.9	60	60	49	128	54.1	60	49	50	125	
14246													41.7	2	50.2	66	70	70	61	128	67.3	70	61	62	125	
575-3-60	5.7	38.9	9	5.8	38.9	9	1.1	2	0.4			None	-	-	-	17.2	20	20	18	97	18	20	19	94		
14 (12.5)	208-3-60	19.6	136	31	19.6	136	31	5.8	8.9	1.1		None	-	-	-	58.8	60	70	62	371	61	70	70	65	381	
												11725	12	1	33.3	58.8	60	70	62	371	61	70	70	65	381	
												12525	18.6	1	51.6	75.6	80	80	70	371	78.4	80	80	72	381	
												13225	24	1	66.6	94.4	100	100	87	371	97.1	100	100	89	381	
												14225	31.8	2	88.3	121.5	125	125	112	371	124.3	125	125	114	381	
	230-3-60	19.6	136	31	19.6	136	31	5.2	8.2	1			None	-	-	-	57.5	60	70	60	370	59.5	60	70	63	375
													11725	16	1	38.5	58.4	60	70	60	370	60.9	70	70	63	375
													12525	24.8	1	59.7	84.9	90	90	78	370	87.4	90	90	80	375
													13225	32	1	77	106.5	110	110	98	370	109	110	110	100	375
													14225	42.4	2	102	137.8	150	150	127	370	140.3	150	150	129	375
	460-3-60	8.2	66.1	13	8.2	66.1	13	2.9	4.1	0.5			None	-	-	-	25.5	30	30	27	178	26.5	30	30	28	180
													11746	16.5	1	19.8	29.9	30	30	27	178	31.1	35	27	29	180
12846													27.8	1	33.4	46.9	50	50	43	178	48.1	50	43	44	180	
13346													33	1	39.7	54.8	60	60	50	178	56	60	50	52	180	
14246													41.7	2	50.2	67.9	70	70	62	178	69.1	70	62	64	180	
575-3-60	6.6	55.3	10	6.6	55.3	10	2.2	3.2	0.4			None	-	-	-	20.3	25	25	21	148	21.1	25	25	22	150	
With VFD																										
08 (7.5)	208-3-60	13.6	83.1	21	13.6	83.1	21	2.3	7	1.1		None	-	-	-	42.2	45	50	45	246	44.4	45	50	47	256	
												11725	12	1	33.3	50.4	60	60	46	246	53.1	60	60	49	256	
												12525	18.6	1	51.6	73.3	80	80	67	246	76	80	80	70	256	
												13225	24	1	66.6	92	100	100	85	246	94.8	100	100	87	256	
												14225	31.8	2	88.3	119.1	125	125	110	246	121.9	125	125	112	256	
	230-3-60	13.6	83.1	21	13.6	83.1	21	2.3	7.2	1			None	-	-	-	42.4	45	50	45	248	44.4	45	50	47	243
													11725	16	1	38.5	57.1	60	60	53	248	59.6	60	60	55	243
													12525	24.8	1	59.7	83.6	90	90	77	248	86.1	90	90	79	243
													13225	32	1	77	105.3	110	110	97	248	107.8	110	110	99	243
													14225	42.4	2	102	136.5	150	150	126	248	139	150	150	128	243
	460-3-60	6.1	41	10	6.1	41	10	1.3	3.6	0.5			None	-	-	-	19.9	20	25	21	125	20.9	25	25	22	121
													11746	16.5	1	19.8	29.3	30	30	27	125	30.5	35	27	28	121
12846													27.8	1	33.4	46.3	50	50	43	125	47.5	50	43	44	121	
13346													33	1	39.7	54.1	60	60	50	125	55.4	60	50	51	121	
14246													41.7	2	50.2	67.3	70	70	62	125	68.5	70	62	63	121	
575-3-60	4.2	33	7	4.2	33	7	1.1	2.5	0.4			None	-	-	-	14.2	15	15	15	93	15	15	15	90		

ZX04-14 Standard Static Indoor Blower - Without Powered Convenience Outlet (Continued)

Size (Tons)	Nominal Unit Voltage	Compressor 1			Compressor 2			OD Fan Motors (each)	Supply Blower Motor	Pwr Exh Motor	Pwr Conv Outlet	Electric Heat Field Installed Kit 2EK045*				MCA ¹ (Amps)	Min Fuse ^{2/3} Breaker ³ Size (Amps)	Max Fuse ^{2/3} Breaker ³ Size (Amps)	Min Disconnect Rating ⁴		MCA ¹ w/Pwr Exh (Amps)	Min Fuse ^{2/3} Breaker ³ Size w/ Pwr Exh (Amps)	Max Fuse ^{2/3} Breaker ³ Size w/ Pwr Exh (Amps)	Min Disconnect Rating ⁴ /Pwr Exh	
		RLA	LRA	MCC	RLA	LRA	MCC					Model	kW	Stages	Amps				FLA	LRA				FLA	LRA
09 (8.5)	208-3-60	14.5	98	23	14.5	98	23	2.3	7	1.1		None	-	-	-	44.2	45	50	47	275	46.4	50	50	49	285
												11725	12	1	33.3	50.4	60	60	47	275	53.1	60	60	49	285
												12525	18.6	1	51.6	73.3	80	80	67	275	76	80	80	70	285
												13225	24	1	66.6	92	100	100	85	275	94.8	100	100	87	285
												14225	31.8	2	88.3	119.1	125	125	110	275	121.9	125	125	112	285
	230-3-60	14.5	98	23	14.5	98	23	2.3	7.2	1		None	-	-	-	44.4	45	50	47	278	46.4	50	60	49	272
												11725	16	1	38.5	57.1	60	60	53	278	59.6	60	60	55	272
												12525	24.8	1	59.7	83.6	90	90	77	278	86.1	90	90	79	272
												13225	32	1	77	105.3	110	110	97	278	107.8	110	110	99	272
												14225	42.4	2	102	136.5	150	150	126	278	139	150	150	128	272
	460-3-60	6.3	55	10	6.3	55	10	1.3	3.6	0.5		None	-	-	-	20.4	25	25	22	153	21.4	25	25	23	149
												11746	16.5	1	19.8	29.3	30	30	27	153	30.5	35	27	28	149
12846												27.8	1	33.4	46.3	50	50	43	153	47.5	50	43	44	149	
13346												33	1	39.7	54.1	60	60	50	153	55.4	60	50	51	149	
14246												41.7	2	50.2	67.3	70	70	62	153	68.5	70	62	63	149	
575-3-60	6	41	9	6	41	9	1.1	2.5	0.4		None	-	-	-	18.2	20	20	19	109	19	20	20	20	106	
12 (10)	208-3-60	16	110	25	15.6	110	24	2.3	7	1.1		None	-	-	-	47.2	50	60	50	299	49.4	50	60	52	309
												11725	12	1	33.3	50.4	60	60	50	299	53.1	60	60	52	309
												12525	18.6	1	51.6	73.3	80	80	67	299	76	80	80	70	309
												13225	24	1	66.6	92	100	100	85	299	94.8	100	100	87	309
												14225	31.8	2	88.3	119.1	125	125	110	299	121.9	125	125	112	309
	230-3-60	16	110	25	15.6	110	24	2.3	7.2	1		None	-	-	-	47.4	50	60	50	302	49.4	50	60	52	296
												11725	16	1	38.5	57.1	60	60	53	302	59.6	60	60	55	296
												12525	24.8	1	59.7	83.6	90	90	77	302	86.1	90	90	79	296
												13225	32	1	77	105.3	110	110	97	302	107.8	110	110	99	296
												14225	42.4	2	102	136.5	150	150	126	302	139	150	150	128	296
	460-3-60	7.8	52	12	7.8	52	12	1.3	3.6	0.5		None	-	-	-	23.8	25	30	25	147	24.8	25	30	26	143
												11746	16.5	1	19.8	29.3	30	30	27	147	30.5	35	27	28	143
12846												27.8	1	33.4	46.3	50	50	43	147	47.5	50	43	44	143	
13346												33	1	39.7	54.1	60	60	50	147	55.4	60	50	51	143	
14246												41.7	2	50.2	67.3	70	70	62	147	68.5	70	62	63	143	
575-3-60	5.7	38.9	9	5.8	38.9	9	1.1	2.5	0.4		None	-	-	-	17.7	20	20	19	105	18.5	20	20	20	102	
14 (12.5)	208-3-60	19.6	136	31	19.6	136	31	5.8	8.9	1.1		None	-	-	-	58.8	60	70	62	371	61	70	70	65	381
												11725	12	1	33.3	58.8	60	60	62	371	61	70	70	65	381
												12525	18.6	1	51.6	75.6	80	80	70	371	78.4	80	80	72	381
												13225	24	1	66.6	94.4	100	100	87	371	97.1	100	100	89	381
												14225	31.8	2	88.3	121.5	125	125	112	371	124.3	125	125	114	381
	230-3-60	19.6	136	31	19.6	136	31	5.2	8.2	1		None	-	-	-	57.5	60	70	60	370	59.5	60	70	63	375
												11725	16	1	38.5	58.4	60	60	60	370	60.9	70	70	63	375
												12525	24.8	1	59.7	84.9	90	90	78	370	87.4	90	90	80	375
												13225	32	1	77	106.5	110	110	98	370	109	110	110	100	375
												14225	42.4	2	102	137.8	150	150	127	370	140.3	150	150	129	375
	460-3-60	8.2	66.1	13	8.2	66.1	13	2.9	4.1	0.5		None	-	-	-	25.5	30	30	27	178	26.5	30	30	28	180
												11746	16.5	1	19.8	29.9	30	30	27	178	31.1	35	27	29	180
12846												27.8	1	33.4	46.9	50	50	43	178	48.1	50	43	44	180	
13346												33	1	39.7	54.8	60	60	50	178	56	60	50	52	180	
14246												41.7	2	50.2	67.9	70	70	62	178	69.1	70	62	64	180	
575-3-60	6.6	55.3	10	6.6	55.3	10	2.2	3.2	0.4		None	-	-	-	20.3	25	25	21	148	21.1	25	25	22	150	

1. Minimum Circuit Ampacity.
2. Dual Element, Time Delay Type.
3. HACR type per NEC.
4. Non-fused Disconnect, Verify on the unit nameplate that the disconnect is properly sized for the application. Units with field installed electric heat kits may exceed the factory installed disconnect amperage rating.

ZX04-14 Standard Static Indoor Blower - With Powered Convenience Outlet

Size (Tons)	Nominal Unit Voltage	Compressor 1			Compressor 2			OD Fan Motors (each)	Supply Blower Motor	Pwr Exh Motor	Pwr Conv Outlet	Electric Heat Field Installed Kit 2EK045*			MCA ¹ (Amps)	Min Fuse ² / Breaker ³ Size (Amps)	Max Fuse ² / Breaker ³ Size (Amps)	Min Discon- nect Rating ⁴		MCA ¹ w/Pwr Exh (Amps)	Min Fuse ² / Breaker ³ Size w/ Pwr Exh (Amps)	Max Fuse ² / Breaker ³ Size w/ Pwr Exh (Amps)	Min Discon- nect Rating ⁴ / Pwr Exh		
		RLA	LRA	MCC	RLA	LRA	MCC					Model	kW	Stages				Amps	FLA				LRA	FLA	LRA
04 (3)	208-1-60	16.7	79	26				1.4	6.6	1.5	8.6	None	-	-	-	33.2	35	45	33	89	34.7	35	50	35	92
												10625	4.9	1	23.6	43.1	45	45	40	89	45	45	41	92	
												11125	7.9	1	38	61.1	70	70	56	89	63	70	70	58	92
	230-1-60	16.7	79	26				1.4	6	1.3	8.6	None	-	-	-	32.6	35	45	33	89	33.9	35	50	34	92
												10625	6.5	1	27.1	46.8	50	50	43	89	48.4	50	50	45	92
												11125	10.5	1	43.8	67.6	70	70	62	89	69.3	70	70	64	92
	208-3-60	10.4	73	16				1.4	6.6	1.1	8.6	None	-	-	-	25.3	30	35	26	83	26.4	30	35	27	85
												10625	4.9	1	13.6	30.6	35	35	28	83	32	35	35	29	85
												11125	7.9	1	21.9	41	45	45	38	83	42.4	45	45	39	85
												11625	12	1	33.3	55.3	60	60	51	83	56.6	60	60	52	85
												None	-	-	-	24.7	25	35	25	83	25.7	30	35	27	85
												10625	6.5	1	15.6	32.4	35	35	30	83	33.6	35	35	31	85
	230-3-60	10.4	73	16				1.4	6	1	8.6	11125	10.5	1	25.3	44.5	45	45	41	83	45.8	50	50	42	85
												11625	16	1	38.5	61	70	70	56	83	62.3	70	70	57	85
												None	-	-	-	13.5	15	15	14	44	14	15	15	14	45
	460-3-60	5.8	38	9				0.8	3.2	0.5	8.6	10646	6	1	7.2	15.7	20	20	14	44	16.3	20	14	15	45
												11146	11.5	1	13.8	23.9	25	25	22	44	24.6	25	22	23	45
												11446	14	1	16.8	27.7	30	30	25	44	28.3	30	25	26	45
05 (4)	208-1-60	21.8	117	34				1.4	8.4	1.5	8.6	None	-	-	-	41.4	45	60	41	127	42.9	45	60	43	130
												10625	4.9	1	23.6	45.4	50	60	42	127	47.3	50	60	43	130
												11125	7.9	1	38	63.4	70	70	58	127	65.3	70	70	60	130
	230-1-60	21.8	117	34				1.4	7.6	1.3	8.6	None	-	-	-	40.6	45	60	40	127	41.9	45	60	42	130
												10625	6.5	1	27.1	48.8	50	60	45	127	50.4	60	60	46	130
												11125	10.5	1	43.8	69.6	70	70	64	127	71.3	80	80	66	130
	208-3-60	13.7	83.1	21				1.4	8.4	1.1	8.6	None	-	-	-	31.2	35	40	32	93	32.3	35	45	33	95
												10625	4.9	1	13.6	32.9	35	40	32	93	34.3	35	45	33	95
												11125	7.9	1	21.9	43.3	45	45	40	93	44.6	45	45	41	95
												11625	12	1	33.3	57.5	60	60	53	93	58.9	60	60	54	95
												None	-	-	-	30.4	35	40	31	93	31.4	35	45	32	95
												10625	6.5	1	15.6	34.4	35	40	32	93	35.6	40	45	33	95
	230-3-60	13.7	83.1	21				1.4	7.6	1	8.6	11125	10.5	1	25.3	46.5	50	50	43	93	47.8	50	50	44	95
												11625	16	1	38.5	63	70	70	58	93	64.3	70	70	59	95
												None	-	-	-	14.8	15	20	15	47	15.3	20	20	16	48
	460-3-60	6.2	41	10				0.8	4	0.5	8.6	10646	6	1	7.2	16.7	20	20	15	47	17.3	20	15	16	48
												11146	11.5	1	13.8	24.9	25	25	23	47	25.6	30	23	24	48
												11446	14	1	16.8	28.7	30	30	26	47	29.3	30	26	27	48
06 (5)	208-1-60	26.3	134	41				2.3	8.4	1.5	8.6	None	-	-	-	47.9	50	70	47	145	49.4	50	70	49	149
												10625	4.9	1	23.6	47.9	50	70	47	145	49.4	50	70	49	149
												11125	7.9	1	38	63.4	70	70	58	145	65.3	70	70	60	149
	230-1-60	26.3	134	41				2.3	7.6	1.3	8.6	None	-	-	-	47.1	50	70	47	145	48.4	50	70	48	148
												10625	6.5	1	27.1	48.8	50	70	47	145	50.4	60	70	48	148
												11125	10.5	1	43.8	69.6	70	70	64	145	71.3	80	80	66	148
	208-3-60	15.6	110	24				2.3	8.4	1.1	8.6	None	-	-	-	34.5	35	50	35	121	35.6	40	50	36	124
												10625	4.9	1	13.6	34.5	35	50	35	121	35.6	40	50	36	124
												11125	7.9	1	21.9	43.3	45	50	40	121	44.6	45	50	41	124
												11625	12	1	33.3	57.5	60	60	53	121	58.9	60	60	54	124
												None	-	-	-	33.7	35	45	34	121	34.7	35	50	35	124
												10625	6.5	1	15.6	34.4	35	45	34	121	35.6	40	50	35	124
	230-3-60	15.6	110	24				2.3	7.6	1	8.6	11125	10.5	1	25.3	46.5	50	50	43	121	47.8	50	50	44	124
												11625	16	1	38.5	63	70	70	58	121	64.3	70	70	59	124
												None	-	-	-	17.3	20	25	18	59	17.8	20	25	18	60
	460-3-60	7.8	52	12				1.3	4	0.5	8.6	10646	6	1	7.2	17.3	20	25	15	59	17.8	20	15	16	60
												11146	11.5	1	13.8	24.9	25	25	23	59	25.6	30	23	24	60
												11446	14	1	16.8	28.7	30	30	26	59	29.3	30	26	27	60

ZX04-14 Standard Static Indoor Blower - With Powered Convenience Outlet (Continued)

Size (Tons)	Nominal Unit Voltage	Compressor 1			Compressor 2			OD Fan Motors (each)	Supply Blower Motor	Pwr Exh Motor	Pwr Conv Outlet	Electric Heat Field Installed Kit 2EK045*				MCA ¹ (Amps)	Min Fuse ² / Breaker ³ Size (Amps)	Max Fuse ² / Breaker ³ Size (Amps)	Min Disconnect Rating ⁴		MCA ¹ w/Pwr Exh (Amps)	Min Fuse ² / Breaker ³ Size w/ Pwr Exh (Amps)	Max Fuse ² / Breaker ³ Size w/ Pwr Exh (Amps)	Min Disconnect Rating ⁴ / Pwr Exh	
		RLA	LRA	MCC	RLA	LRA	MCC					Model	kW	Stages	Amps				FLA	LRA				FLA	LRA
07 (6)	208-3-60	19.6	136	31				2.3	5.2	1.1	8.6	None	-	-	-	36.3	40	50	36	168	37.4	40	50	37	170
												10625	4.9	1	13.6	36.3	40	50	36	168	37.4	40	50	37	170
												11125	7.9	1	21.9	39.3	40	50	36	168	40.6	45	50	37	170
												11625	12	1	33.3	53.5	60	60	49	168	54.9	60	60	50	170
	230-3-60	19.6	136	31				2.3	5.2	1	8.6	None	-	-	-	36.3	40	50	36	170	37.3	40	50	37	173
												10625	6.5	1	15.6	36.3	40	50	36	170	37.3	40	50	37	173
												11125	10.5	1	25.3	43.5	45	50	40	170	44.8	45	50	41	173
												11625	16	1	38.5	60	60	60	55	170	61.3	70	70	56	173
	460-3-60	8.2	66.1	13				1.3	2.6	0.5	8.6	None	-	-	-	16.4	20	20	16	84	16.9	20	20	17	85
												10646	6	1	7.2	16.4	20	20	14	84	16.9	20	14	14	85
												11146	11.5	1	13.8	23.2	25	25	21	84	23.8	25	21	22	85
												11446	14	1	16.8	26.9	30	30	25	84	27.6	30	25	25	85
575-3-60	6.6	55.3	10				1.1	2	0.4	8.6	None	-	-	-	13.1	15	15	13	69	13.5	15	15	14	70	
08 (7.5)	208-3-60	13.6	83.1	21	13.6	83.1	21	2.3	5.2	1.1	8.6	None	-	-	-	44.7	45	50	47	212	46.9	50	50	50	222
												11725	12	1	33.3	53.5	60	60	49	212	56.3	60	60	52	222
												12525	18.6	1	51.6	76.4	80	80	70	212	79.1	80	80	73	222
												13225	24	1	66.6	95.1	100	100	88	212	97.9	100	100	90	222
	230-3-60	13.6	83.1	21	13.6	83.1	21	2.3	5.2	1	8.6	None	-	-	-	44.7	45	50	47	216	46.7	50	60	50	210
												11725	16	1	38.5	60	60	60	55	216	62.5	70	70	58	210
												12525	24.8	1	59.7	86.5	90	90	80	216	89	90	90	82	210
												13225	32	1	77	108.1	110	110	99	216	110.6	125	125	102	210
	460-3-60	6.1	41	10	6.1	41	10	1.3	2.6	0.5	8.6	None	-	-	-	21.1	25	25	23	108	22.1	25	25	24	105
												11746	16.5	1	19.8	30.7	35	35	28	108	31.9	35	28	29	105
												12846	27.8	1	33.4	47.7	50	50	44	108	48.9	50	44	45	105
												13346	33	1	39.7	55.6	60	60	51	108	56.8	60	51	52	105
575-3-60	4.2	33	7	4.2	33	7	1.1	2	0.4	8.6	None	-	-	-	15.4	20	20	16	87	16.2	20	20	17	84	
09 (8.5)	208-3-60	14.5	98	23	14.5	98	23	2.3	5.2	1.1	8.6	None	-	-	-	46.7	50	60	50	242	48.9	50	60	52	252
												11725	12	1	33.3	53.5	60	60	50	242	56.3	60	60	52	252
												12525	18.6	1	51.6	76.4	80	80	70	242	79.1	80	80	73	252
												13225	24	1	66.6	95.1	100	100	88	242	97.9	100	100	90	252
	230-3-60	14.5	98	23	14.5	98	23	2.3	5.2	1	8.6	None	-	-	-	46.7	50	60	50	245	48.7	50	60	52	240
												11725	16	1	38.5	60	60	60	55	245	62.5	70	70	58	240
												12525	24.8	1	59.7	86.5	90	90	80	245	89	90	90	82	240
												13225	32	1	77	108.1	110	110	99	245	110.6	125	125	102	240
	460-3-60	6.3	55	10	6.3	55	10	1.3	2.6	0.5	8.6	None	-	-	-	21.6	25	25	23	136	22.6	25	25	24	133
												11746	16.5	1	19.8	30.7	35	35	28	136	31.9	35	28	29	133
												12846	27.8	1	33.4	47.7	50	50	44	136	48.9	50	44	45	133
												13346	33	1	39.7	55.6	60	60	51	136	56.8	60	51	52	133
575-3-60	6	41	9	6	41	9	1.1	2	0.4	8.6	None	-	-	-	19.4	20	25	21	103	20.2	25	25	22	100	

ZX04-14 Standard Static Indoor Blower - With Powered Convenience Outlet (Continued)

Size (Tons)	Nominal Unit Voltage	Compressor 1			Compressor 2			OD Fan Motors (each)	Supply Blower Motor	Pwr Exh Motor	Pwr Conv Outlet	Electric Heat Field Installed Kit 2EK045*				MCA ¹ (Amps)	Min Fuse ² / Breaker ³ Size (Amps)	Max Fuse ² / Breaker ³ Size (Amps)	Min Discon-nect Rating ⁴		MCA ¹ w/Pwr Exh (Amps)	Min Fuse ² / Breaker ³ Size w/ Pwr Exh (Amps)	Max Fuse ² / Breaker ³ Size w/ Pwr Exh (Amps)	Min Discon-nect Rating ⁴ / Pwr Exh	
		RLA	LRA	MCC	RLA	LRA	MCC					Model	kW	Stages	Amps				FLA	LRA				FLA	LRA
12 (10)	208-3-60	16	110	25	15.6	110	24	2.3	5.2	1.1	8.6	None	-	-	-	49.7	50	60	53	266	51.9	60	60	55	276
												11725	12	1	33.3	53.5	60	60	53	266	56.3	60	60	55	276
												12525	18.6	1	51.6	76.4	80	80	70	266	79.1	80	80	73	276
												13225	24	1	66.6	95.1	100	100	88	266	97.9	100	100	90	276
												14225	31.8	2	88.3	122.3	125	125	112	266	125	150	150	115	276
	230-3-60	16	110	25	15.6	110	24	2.3	5.2	1	8.6	None	-	-	-	49.7	50	60	53	269	51.7	60	60	55	264
												11725	16	1	38.5	60	60	60	55	269	62.5	70	70	58	264
												12525	24.8	1	59.7	86.5	90	90	80	269	89	90	90	82	264
												13225	32	1	77	108.1	110	110	99	269	110.6	125	125	102	264
												14225	42.4	2	102	139.4	150	150	128	269	141.9	150	150	131	264
	460-3-60	7.8	52	12	7.8	52	12	1.3	2.6	0.5	8.6	None	-	-	-	25	30	30	26	130	26	30	30	28	127
												11746	16.5	1	19.8	30.7	35	35	28	130	31.9	35	28	29	127
												12846	27.8	1	33.4	47.7	50	50	44	130	48.9	50	44	45	127
												13346	33	1	39.7	55.6	60	60	51	130	56.8	60	51	52	127
												14246	41.7	2	50.2	68.7	70	70	63	130	69.9	70	63	64	127
	575-3-60	5.7	38.9	9	5.8	38.9	9	1.1	2	0.4	8.6	None	-	-	-	18.9	20	20	99	19.7	20	20	21	96	
14 (12.5)	208-3-60	19.6	136	31	19.6	136	31	5.8	8.9	1.1	8.6	None	-	-	-	63.1	70	80	67	375	65.3	70	80	69	385
												11725	12	1	33.3	63.1	70	80	67	375	65.3	70	80	69	385
												12525	18.6	1	51.6	81	90	90	75	375	83.8	90	90	77	385
												13225	24	1	66.6	99.8	100	100	92	375	102.5	110	110	94	385
												14225	31.8	2	88.3	126.9	150	150	117	375	129.6	150	150	119	385
	230-3-60	19.6	136	31	19.6	136	31	5.2	8.2	1	8.6	None	-	-	-	61.8	70	80	65	374	63.8	70	80	68	379
												11725	16	1	38.5	63.8	70	80	65	374	66.3	70	80	68	379
												12525	24.8	1	59.7	90.3	100	100	83	374	92.8	100	100	85	379
												13225	32	1	77	111.9	125	125	103	374	114.4	125	125	105	379
												14225	42.4	2	102	143.1	150	150	132	374	145.6	150	150	134	379
	460-3-60	8.2	66.1	13	8.2	66.1	13	2.9	4.1	0.5	8.6	None	-	-	-	27.7	30	35	29	180	28.7	30	35	31	182
												11746	16.5	1	19.8	32.6	35	35	30	180	33.8	35	30	31	182
												12846	27.8	1	33.4	49.6	50	50	46	180	50.8	60	46	47	182
												13346	33	1	39.7	57.4	60	60	53	180	58.7	60	53	54	182
												14246	41.7	2	50.2	70.6	80	80	65	180	71.8	80	65	66	182
	575-3-60	6.6	55.3	10	6.6	55.3	10	2.2	3.2	0.4	8.6	None	-	-	-	22	25	25	23	150	22.8	25	25	24	152
With VFD																									
08 (7.5)	208-3-60	13.6	83.1	21	13.6	83.1	21	2.3	7	1.1	8.6	None	-	-	-	46.5	50	60	50	250	48.7	50	60	52	260
												11725	12	1	33.3	55.8	60	60	51	250	58.5	60	60	54	260
												12525	18.6	1	51.6	78.6	80	80	72	250	81.4	90	90	75	260
												13225	24	1	66.6	97.4	100	100	90	250	100.1	110	110	92	260
												14225	31.8	2	88.3	124.5	125	125	115	250	127.3	150	150	117	260
	230-3-60	13.6	83.1	21	13.6	83.1	21	2.3	7.2	1	8.6	None	-	-	-	46.7	50	60	50	252	48.7	50	60	52	247
												11725	16	1	38.5	62.5	70	70	58	252	65	70	70	60	247
												12525	24.8	1	59.7	89	90	90	82	252	91.5	100	100	84	247
												13225	32	1	77	110.6	125	125	102	252	113.1	125	125	104	247
												14225	42.4	2	102	141.9	150	150	131	252	144.4	150	150	133	247
	460-3-60	6.1	41	10	6.1	41	10	1.3	3.6	0.5	8.6	None	-	-	-	22.1	25	25	24	127	23.1	25	25	25	123
												11746	16.5	1	19.8	31.9	35	35	29	127	33.2	35	29	31	123
												12846	27.8	1	33.4	48.9	50	50	45	127	50.2	60	45	46	123
												13346	33	1	39.7	56.8	60	60	52	127	58.1	60	52	53	123
												14246	41.7	2	50.2	69.9	70	70	64	127	71.2	80	64	65	123
	575-3-60	4.2	33	7	4.2	33	7	1.1	2.5	0.4	8.6	None	-	-	-	15.9	20	20	17	95	16.7	20	20	18	92

ZX04-14 Standard Static Indoor Blower - With Powered Convenience Outlet (Continued)

Size (Tons)	Nominal Unit Voltage	Compressor 1			Compressor 2			OD Fan Motors (each)	Supply Blower Motor	Pwr Exh Motor	Pwr Conv Outlet	Electric Heat Field Installed Kit 2EK045*				MCA ¹ (Amps)	Min Fuse ² /Breaker ³ Size (Amps)	Max Fuse ² /Breaker ³ Size (Amps)	Min Disconnect Rating ⁴		MCA ¹ w/Pwr Exh (Amps)	Min Fuse ² /Breaker ³ Size w/ Pwr Exh (Amps)	Max Fuse ² /Breaker ³ Size w/ Pwr Exh (Amps)	Min Disconnect Rating ⁴ /Pwr Exh	
		RLA	LRA	MCC	RLA	LRA	MCC					Model	kW	Stages	Amps				FLA	LRA				FLA	LRA
09 (8.5)	208-3-60	14.5	98	23	14.5	98	23	2.3	7	1.1	8.6	None	-	-	-	48.5	50	60	52	280	50.7	60	60	54	290
												11725	12	1	33.3	55.8	60	60	52	280	58.5	60	60	54	290
												12525	18.6	1	51.6	78.6	80	80	72	280	81.4	90	90	75	290
												13225	24	1	66.6	97.4	100	100	90	280	100.1	110	110	92	290
												14225	31.8	2	88.3	124.5	125	125	115	280	127.3	150	150	117	290
	230-3-60	14.5	98	23	14.5	98	23	2.3	7.2	1	8.6	None	-	-	-	48.7	50	60	52	282	50.7	60	60	54	277
												11725	16	1	38.5	62.5	70	70	58	282	65	70	70	60	277
												12525	24.8	1	59.7	89	90	90	82	282	91.5	100	100	84	277
												13225	32	1	77	110.6	125	125	102	282	113.1	125	125	104	277
												14225	42.4	2	102	141.9	150	150	131	282	144.4	150	150	133	277
	460-3-60	6.3	55	10	6.3	55	10	1.3	3.6	0.5	8.6	None	-	-	-	22.6	25	25	24	155	23.6	25	25	25	151
												11746	16.5	1	19.8	31.9	35	35	29	155	33.2	35	29	31	151
12846												27.8	1	33.4	48.9	50	50	45	155	50.2	60	45	46	151	
13346												33	1	39.7	56.8	60	60	52	155	58.1	60	52	53	151	
14246												41.7	2	50.2	69.9	70	70	64	155	71.2	80	64	65	151	
575-3-60	6	41	9	6	41	9	1.1	2.5	0.4	8.6	None	-	-	-	19.9	20	25	21	111	20.7	25	25	22	108	
12 (10)	208-3-60	16	110	25	15.6	110	24	2.3	7	1.1	8.6	None	-	-	-	51.5	60	60	55	304	53.7	60	60	57	314
												11725	12	1	33.3	55.8	60	60	55	304	58.5	60	60	57	314
												12525	18.6	1	51.6	78.6	80	80	72	304	81.4	90	90	75	314
												13225	24	1	66.6	97.4	100	100	90	304	100.1	110	110	92	314
												14225	31.8	2	88.3	124.5	125	125	115	304	127.3	150	150	117	314
	230-3-60	16	110	25	15.6	110	24	2.3	7.2	1	8.6	None	-	-	-	51.7	60	60	55	306	53.7	60	60	57	301
												11725	16	1	38.5	62.5	70	70	58	306	65	70	70	60	301
												12525	24.8	1	59.7	89	90	90	82	306	91.5	100	100	84	301
												13225	32	1	77	110.6	125	125	102	306	113.1	125	125	104	301
												14225	42.4	2	102	141.9	150	150	131	306	144.4	150	150	133	301
	460-3-60	7.8	52	12	7.8	52	12	1.3	3.6	0.5	8.6	None	-	-	-	26	30	30	28	149	27	30	30	29	145
												11746	16.5	1	19.8	31.9	35	35	29	149	33.2	35	29	31	145
12846												27.8	1	33.4	48.9	50	50	45	149	50.2	60	45	46	145	
13346												33	1	39.7	56.8	60	60	52	149	58.1	60	52	53	145	
14246												41.7	2	50.2	69.9	70	70	64	149	71.2	80	64	65	145	
575-3-60	5.7	38.9	9	5.8	38.9	9	1.1	2.5	0.4	8.6	None	-	-	-	19.4	20	25	21	107	20.2	25	25	22	104	
14 (12.5)	208-3-60	19.6	136	31	19.6	136	31	5.8	8.9	1.1	8.6	None	-	-	-	63.1	70	80	67	375	65.3	70	80	69	385
												11725	12	1	33.3	63.1	70	80	67	375	65.3	70	80	69	385
												12525	18.6	1	51.6	81	90	90	75	375	83.8	90	90	77	385
												13225	24	1	66.6	99.8	100	100	92	375	102.5	110	110	94	385
												14225	31.8	2	88.3	126.9	150	150	117	375	129.6	150	150	119	385
	230-3-60	19.6	136	31	19.6	136	31	5.2	8.2	1	8.6	None	-	-	-	61.8	70	80	65	374	63.8	70	80	68	379
												11725	16	1	38.5	63.8	70	80	65	374	66.3	70	80	68	379
												12525	24.8	1	59.7	90.3	100	100	83	374	92.8	100	100	85	379
												13225	32	1	77	111.9	125	125	103	374	114.4	125	125	105	379
												14225	42.4	2	102	143.1	150	150	132	374	145.6	150	150	134	379
	460-3-60	8.2	66.1	13	8.2	66.1	13	2.9	4.1	0.5	8.6	None	-	-	-	27.7	30	35	29	180	28.7	30	35	31	182
												11746	16.5	1	19.8	32.6	35	35	30	180	33.8	35	30	31	182
12846												27.8	1	33.4	49.6	50	50	46	180	50.8	60	46	47	182	
13346												33	1	39.7	57.4	60	60	53	180	58.7	60	53	54	182	
14246												41.7	2	50.2	70.6	80	80	65	180	71.8	80	65	66	182	
575-3-60	6.6	55.3	10	6.6	55.3	10	2.2	3.2	0.4	8.6	None	-	-	-	22	25	25	23	150	22.8	25	25	24	152	

1. Minimum Circuit Ampacity.
2. Dual Element, Time Delay Type.
3. HACR type per NEC.
4. Non-fused Disconnect, Verify on the unit nameplate that the disconnect is properly sized for the application. Units with field installed electric heat kits may exceed the factory installed disconnect amperage rating.

ZX04-14 Medium Static Indoor Blower - Without Powered Convenience Outlet

Size (Tons)	Nominal Unit Voltage	Compressor 1			Compressor 2			OD Fan Motors (each)	Supply Blower Motor	Pwr Exh Motor	Pwr Conv Outlet	Electric Heat Field Installed Kit 2EK045*			MCA ¹ (Amps)	Min Fuse ² / Breaker ³ Size (Amps)	Max Fuse ² / Breaker ³ Size (Amps)	Min Discon- nect Rating ⁴		MCA ¹ w/Pwr Exh (Amps)	Min Fuse ² / Breaker ³ Size w/ Pwr Exh (Amps)	Max Fuse ² / Breaker ³ Size w/ Pwr Exh (Amps)	Min Discon- nect Rating ⁶ / Pwr Exh			
		RLA	LRA	MCC	RLA	LRA	MCC					Model	kW	Stages				Amps	FLA				LRA	FLA	LRA	
04 (3)	208-1-60	16.7	79	26				1.4	7.6	1.5		None	-	-	-	29.9	30	45	30	115	31.4	35	45	31	119	
												10625	4.9	1	23.6	39	40	45	36	115	40.9	45	45	38	119	
												11125	7.9	1	38	57	60	60	52	115	58.9	60	60	54	119	
	230-1-60	16.7	79	26				1.4	7	1.3			None	-	-	-	29.3	30	45	29	118	30.6	35	45	30	121
													10625	6.5	1	27.1	42.6	45	45	39	118	44.3	45	45	41	121
													11125	10.5	1	43.8	63.5	70	70	58	118	65.1	70	70	60	121
	208-3-60	10.4	73	16				1.4	5.2	1.1			None	-	-	-	19.6	20	30	20	99	20.7	25	30	21	101
													10625	4.9	1	13.6	23.5	25	30	22	99	24.9	25	30	23	101
													11125	7.9	1	21.9	33.9	35	35	31	99	35.3	40	40	32	101
													11625	12	1	33.3	48.1	50	50	44	99	49.5	50	50	46	101
	230-3-60	10.4	73	16				1.4	5.2	1			None	-	-	-	19.6	20	30	20	101	20.6	25	30	21	104
													10625	6.5	1	15.6	26	30	30	24	101	27.3	30	30	25	104
													11125	10.5	1	25.3	38.1	40	40	35	101	39.4	40	40	36	104
													11625	16	1	38.5	54.6	60	60	50	101	55.9	60	60	51	104
	460-3-60	5.8	38	9				0.8	2.6	0.5			None	-	-	-	10.7	15	15	11	52	11.2	15	15	11	54
													10646	6	1	7.2	12.3	15	15	11	52	12.9	15	11	12	54
													11146	11.5	1	13.8	20.5	25	25	19	52	21.1	25	19	19	54
													11446	14	1	16.8	24.3	25	25	22	52	24.9	25	22	23	54
	575-3-60	3.8	36.5	6				0.6	2	0.4			None	-	-	-	7.4	15	15	7	48	7.8	15	15	8	49
05 (4)	208-1-60	21.8	117	34				1.4	7.6	1.5		None	-	-	-	36.3	40	50	35	153	37.8	40	50	37	157	
												10625	4.9	1	23.6	39	40	50	36	153	40.9	45	50	38	157	
												11125	7.9	1	38	57	60	60	52	153	58.9	60	60	54	157	
	230-1-60	21.8	117	34				1.4	7	1.3			None	-	-	-	35.7	40	50	35	156	37	40	50	36	159
													10625	6.5	1	27.1	42.6	45	50	39	156	44.3	45	50	41	159
													11125	10.5	1	43.8	63.5	70	70	58	156	65.1	70	70	60	159
	208-3-60	13.7	83.1	21				1.4	5.2	1.1			None	-	-	-	23.7	25	35	23	109	24.8	25	35	25	111
													10625	4.9	1	13.6	23.7	25	35	23	109	24.9	25	35	25	111
													11125	7.9	1	21.9	33.9	35	35	31	109	35.3	40	40	32	111
													11625	12	1	33.3	48.1	50	50	44	109	49.5	50	50	46	111
	230-3-60	13.7	83.1	21				1.4	5.2	1			None	-	-	-	23.7	25	35	23	111	24.7	25	35	24	114
													10625	6.5	1	15.6	26	30	35	24	111	27.3	30	35	25	114
													11125	10.5	1	25.3	38.1	40	40	35	111	39.4	40	40	36	114
													11625	16	1	38.5	54.6	60	60	50	111	55.9	60	60	51	114
	460-3-60	6.2	41	10				0.8	2.6	0.5			None	-	-	-	11.2	15	15	11	55	11.7	15	15	12	57
													10646	6	1	7.2	12.3	15	15	11	55	12.9	15	11	12	57
													11146	11.5	1	13.8	20.5	25	25	19	55	21.1	25	19	19	57
													11446	14	1	16.8	24.3	25	25	22	55	24.9	25	22	23	57
	575-3-60	4.8	33	8				0.6	2	0.4			None	-	-	-	8.6	15	15	9	45	9	15	15	9	45
06 (5)	208-1-60	26.3	134	41				2.3	7.6	1.5		None	-	-	-	42.8	45	60	42	172	44.3	45	70	43	175	
												10625	4.9	1	23.6	42.8	45	60	42	172	44.3	45	70	43	175	
												11125	7.9	1	38	57	60	60	52	172	58.9	60	70	54	175	
	230-1-60	26.3	134	41				2.3	7	1.3			None	-	-	-	42.2	45	60	41	175	43.5	45	60	42	177
													10625	6.5	1	27.1	42.6	45	60	41	175	44.3	45	60	42	177
													11125	10.5	1	43.8	63.5	70	70	58	175	65.1	70	70	60	177
	208-3-60	15.6	110	24				2.3	5.2	1.1			None	-	-	-	27	30	40	27	137	28.1	30	40	28	140
													10625	4.9	1	13.6	27	30	40	27	137	28.1	30	40	28	140
													11125	7.9	1	21.9	33.9	35	40	31	137	35.3	40	40	32	140
													11625	12	1	33.3	48.1	50	50	44	137	49.5	50	50	46	140
	230-3-60	15.6	110	24				2.3	5.2	1			None	-	-	-	27	30	40	27	140	28	30	40	28	142
													10625	6.5	1	15.6	27	30	40	27	140	28	30	40	28	142
													11125	10.5	1	25.3	38.1	40	40	35	140	39.4	40	40	36	142
													11625	16	1	38.5	54.6	60	60	50	140	55.9	60	60	51	142
	460-3-60	7.8	52	12				1.3	2.6	0.5			None	-	-	-	13.7	15	20	13	67	14.2	15	20	14	69
													10646	6	1	7.2	13.7	15	20	11	67	14.2	15	11	12	69
													11146	11.5	1	13.8	20.5	25	25	19	67	21.1	25	19	19	69
													11446	14	1	16.8	24.3	25	25	22	67	24.9	25	22	23	69
	575-3-60	5.8	38.9	9				1.1	2	0.4			None	-	-	-	10.4	15	15	10	51	10.8	15	15	11	52

ZX04-14 Medium Static Indoor Blower - Without Powered Convenience Outlet (Continued)

Size (Tons)	Nominal Unit Voltage	Compressor 1			Compressor 2			OD Fan Motors (each)	Supply Blower Motor	Pwr Exh Motor	Pwr Conv Outlet	Electric Heat Field Installed Kit 2EK045*				MCA ¹ (Amps)	Min Fuse ² / Breaker ³ Size (Amps)	Max Fuse ² / Breaker ³ Size (Amps)	Min Disconnect Rating ⁴		MCA ¹ w/Pwr Exh (Amps)	Min Fuse ² / Breaker ³ Size w/ Pwr Exh (Amps)	Max Fuse ² / Breaker ³ Size w/ Pwr Exh (Amps)	Min Disconnect Rating ⁵ / Pwr Exh		
		RLA	LRA	MCC	RLA	LRA	MCC					Model	kW	Stages	Amps				FLA	LRA				FLA	LRA	
07 (6)	208-3-60	19.6	136	31				2.3	7.5	1.1		None	-	-	-	34.3	35	50	34	189	35.4	40	50	35	192	
												10625	4.9	1	13.6	34.3	35	50	34	189	35.4	40	50	35	192	
												11125	7.9	1	21.9	36.8	40	50	34	189	38.1	40	50	35	192	
												11625	12	1	33.3	51	60	60	47	189	52.4	60	60	48	192	
	230-3-60	19.6	136	31				2.3	7.5	1			None	-	-	-	34.3	35	50	34	196	35.3	40	50	35	198
													10625	6.5	1	15.6	34.3	35	50	34	196	35.3	40	50	35	198
													11125	10.5	1	25.3	41	45	50	38	196	42.3	45	50	39	198
													11625	16	1	38.5	57.5	60	60	53	196	58.8	60	60	54	198
	460-3-60	8.2	66.1	13				1.3	3.4	0.5			None	-	-	-	15	20	20	15	97	15.5	20	20	15	98
													10646	6	1	7.2	15	15	20	12	97	15.5	20	12	13	98
													11146	11.5	1	13.8	21.5	25	25	20	97	22.1	25	20	20	98
	575-3-60	6.6	55.3	10				1.1	2.8	0.4			None	-	-	-	12.2	15	15	12	80	12.6	15	15	13	81
08 (7.5)	208-3-60	13.6	83.1	21	13.6	83.1	21	2.3	7.5	1.1		None	-	-	-	42.7	45	50	45	234	44.9	45	50	48	244	
												11725	12	1	33.3	51	60	60	47	234	53.8	60	60	49	244	
												12525	18.6	1	51.6	73.9	80	80	68	234	76.6	80	80	70	244	
												13225	24	1	66.6	92.6	100	100	85	234	95.4	100	100	88	244	
	230-3-60	13.6	83.1	21	13.6	83.1	21	2.3	7.5	1			None	-	-	-	42.7	45	50	45	241	44.7	45	50	47	236
													11725	16	1	38.5	57.5	60	60	53	241	60	60	60	55	236
													12525	24.8	1	59.7	84	90	90	77	241	86.5	90	90	80	236
													13225	32	1	77	105.6	110	110	97	241	108.1	110	110	99	236
	460-3-60	6.1	41	10	6.1	41	10	1.3	3.4	0.5			None	-	-	-	19.7	20	25	21	121	20.7	25	25	22	118
													11746	16.5	1	19.8	29	30	30	27	121	30.3	35	27	28	118
													12846	27.8	1	33.4	46	50	50	42	121	47.3	50	42	43	118
													13346	33	1	39.7	53.9	60	60	50	121	55.1	60	50	51	118
	575-3-60	4.2	33	7	4.2	33	7	1.1	2.8	0.4			None	-	-	-	14.5	15	15	15	97	15.3	20	20	16	95
	09 (8.5)	208-3-60	14.5	98	23	14.5	98	23	2.3	5.2	1.1		None	-	-	-	42.4	45	50	45	238	44.6	45	50	47	248
													11725	12	1	33.3	48.1	50	50	45	238	50.9	60	60	47	248
													12525	18.6	1	51.6	71	80	80	65	238	73.8	80	80	68	248
13225													24	1	66.6	89.8	90	90	83	238	92.5	100	100	85	248	
230-3-60		14.5	98	23	14.5	98	23	2.3	5.2	1			None	-	-	-	42.4	45	50	45	241	44.4	45	50	47	236
													11725	16	1	38.5	54.6	60	60	50	241	57.1	60	60	53	236
													12525	24.8	1	59.7	81.1	90	90	75	241	83.6	90	90	77	236
													13225	32	1	77	102.8	110	110	95	241	105.3	110	110	97	236
460-3-60		6.3	55	10	6.3	55	10	1.3	2.6	0.5			None	-	-	-	19.4	20	25	20	134	20.4	25	25	22	131
													11746	16.5	1	19.8	28	30	30	26	134	29.3	30	26	27	131
													12846	27.8	1	33.4	45	45	45	41	134	46.3	50	41	43	131
													13346	33	1	39.7	52.9	60	60	49	134	54.1	60	49	50	131
575-3-60		6	41	9	6	41	9	1.1	2	0.4			None	-	-	-	17.7	20	20	19	101	18.5	20	20	20	99

ZX04-14 Medium Static Indoor Blower - Without Powered Convenience Outlet (Continued)

Size (Tons)	Nominal Unit Voltage	Compressor 1			Compressor 2			OD Fan Motors (each)	Supply Blower Motor	Pwr Exh Motor	Pwr Conv Outlet	Electric Heat Field Installed Kit 2EK045*				MCA ¹ (Amps)	Min Fuse ^{2/} / Breaker ³ Size (Amps)	Max Fuse ^{2/} / Breaker ³ Size (Amps)	Min Discon-nect Rating ⁴		MCA ¹ w/Pwr Exh (Amps)	Min Fuse ^{2/} / Breaker ³ Size w/ Pwr Exh (Amps)	Max Fuse ^{2/} / Breaker ³ Size w/ Pwr Exh (Amps)	Min Discon-nect Rating ⁴ / Pwr Exh		
		RLA	LRA	MCC	RLA	LRA	MCC					Model	kW	Stages	Amps				FLA	LRA				FLA	LRA	
12 (10)	208-3-60	16	110	25	15.6	110	24	2.3	10.2	1.1		None	-	-	-	50.4	60	60	53	303	52.6	60	60	56	313	
												11725	12	1	33.3	54.4	60	60	53	303	57.1	60	60	56	313	
												12525	18.6	1	51.6	77.3	80	80	71	303	80	90	90	74	313	
												13225	24	1	66.6	96	100	100	88	303	98.8	100	100	91	313	
												14225	31.8	2	88.3	123.1	125	125	113	303	125.9	150	150	116	313	
	230-3-60	16	110	25	15.6	110	24	2.3	10.2	1			None	-	-	-	50.4	60	60	53	309	52.4	60	60	56	304
													11725	16	1	38.5	60.9	70	70	56	309	63.4	70	70	58	304
													12525	24.8	1	59.7	87.4	90	90	80	309	89.9	90	90	83	304
													13225	32	1	77	109	110	110	100	309	111.5	125	125	103	304
													14225	42.4	2	102	140.3	150	150	129	309	142.8	150	150	131	304
	460-3-60	7.8	52	12	7.8	52	12	1.3	4.8	0.5			None	-	-	-	25	30	30	26	150	26	30	30	28	147
													11746	16.5	1	19.8	30.8	35	35	28	150	32	35	28	29	147
													12846	27.8	1	33.4	47.8	50	50	44	150	49	50	44	45	147
													13346	33	1	39.7	55.6	60	60	51	150	56.9	60	51	52	147
													14246	41.7	2	50.2	68.8	70	70	63	150	70	70	63	64	147
	575-3-60	5.7	38.9	9	5.8	38.9	9	1.1	3.4	0.4		None	-	-	-	18.6	20	20	20	115	19.4	20	20	21	112	
14 (12.5)	208-3-60	19.6	136	31	19.6	136	31	5.8	9.9	1.1		None	-	-	-	59.8	60	70	63	367	62	70	80	66	377	
												11725	12	1	33.3	59.8	60	70	63	367	62	70	80	66	377	
												12525	18.6	1	51.6	76.9	80	80	71	367	79.6	80	80	73	377	
												13225	24	1	66.6	95.6	100	100	88	367	98.4	100	100	91	377	
												14225	31.8	2	88.3	122.8	125	125	113	367	125.5	150	150	115	377	
	230-3-60	19.6	136	31	19.6	136	31	5.2	9.4	1			None	-	-	-	58.7	60	70	62	372	60.7	70	80	64	376
													11725	16	1	38.5	59.9	60	70	62	372	62.4	70	80	64	376
													12525	24.8	1	59.7	86.4	90	90	79	372	88.9	90	90	82	376
													13225	32	1	77	108	110	110	99	372	110.5	125	125	102	376
													14225	42.4	2	102	139.3	150	150	128	372	141.8	150	150	130	376
	460-3-60	8.2	66.1	13	8.2	66.1	13	2.9	4.7	0.5			None	-	-	-	26.1	30	30	28	184	27.1	30	30	29	186
													11746	16.5	1	19.8	30.6	35	35	28	184	31.9	35	28	29	186
													12846	27.8	1	33.4	47.6	50	50	44	184	48.9	50	44	45	186
													13346	33	1	39.7	55.5	60	60	51	184	56.8	60	51	52	186
													14246	41.7	2	50.2	68.6	70	70	63	184	69.9	70	63	64	186
	575-3-60	6.6	55.3	10	6.6	55.3	10	2.2	4.3	0.4		None	-	-	-	21.4	25	25	23	162	22.2	25	25	24	164	
With VFD																										
08 (7.5)	208-3-60	13.6	83.1	21	13.6	83.1	21	2.3	8.9	1.1		None	-	-	-	44.1	45	50	47	262	46.3	50	50	49	272	
												11725	12	1	33.3	52.8	60	60	49	262	55.5	60	60	51	272	
												12525	18.6	1	51.6	75.6	80	80	70	262	78.4	80	80	72	272	
												13225	24	1	66.6	94.4	100	100	87	262	97.1	100	100	89	272	
												14225	31.8	2	88.3	121.5	125	125	112	262	124.3	125	125	114	272	
	230-3-60	13.6	83.1	21	13.6	83.1	21	2.3	8.2	1			None	-	-	-	43.4	45	50	46	265	45.4	50	50	48	260
													11725	16	1	38.5	58.4	60	60	54	265	60.9	70	70	56	260
													12525	24.8	1	59.7	84.9	90	90	78	265	87.4	90	90	80	260
													13225	32	1	77	106.5	110	110	98	265	109	110	110	100	260
													14225	42.4	2	102	137.8	150	150	127	265	140.3	150	150	129	260
	460-3-60	6.1	41	10	6.1	41	10	1.3	4.1	0.5			None	-	-	-	20.4	25	25	22	128	21.4	25	25	23	125
													11746	16.5	1	19.8	29.9	30	30	27	128	31.1	35	27	29	125
													12846	27.8	1	33.4	46.9	50	50	43	128	48.1	50	43	44	125
													13346	33	1	39.7	54.8	60	60	50	128	56	60	50	52	125
													14246	41.7	2	50.2	67.9	70	70	62	128	69.1	70	62	64	125
	575-3-60	4.2	33	7	4.2	33	7	1.1	3.2	0.4		None	-	-	-	14.9	15	15	16	102	15.7	20	20	17	99	

ZX04-14 Medium Static Indoor Blower - Without Powered Convenience Outlet (Continued)

Size (Tons)	Nominal Unit Voltage	Compressor 1			Compressor 2			OD Fan Motors (each)	Supply Blower Motor	Pwr Exh Motor	Pwr Conv Outlet	Electric Heat Field Installed Kit 2EK045*				MCA ¹ (Amps)	Min Fuse ² /Breaker ³ Size (Amps)	Max Fuse ² /Breaker ³ Size (Amps)	Min Disconnect Rating ⁴		MCA ¹ w/Pwr Exh (Amps)	Min Fuse ² /Breaker ³ Size w/ Pwr Exh (Amps)	Max Fuse ² /Breaker ³ Size w/ Pwr Exh (Amps)	Min Disconnect Rating ⁴ w/ Pwr Exh	
		RLA	LRA	MCC	RLA	LRA	MCC					Model	kW	Stages	Amps				FLA	LRA				FLA	LRA
09 (8.5)	208-3-60	14.5	98	23	14.5	98	23	2.3	7	1.1		None	-	-	-	44.2	45	50	47	275	46.4	50	50	49	285
												11725	12	1	33.3	50.4	60	60	47	275	53.1	60	60	49	285
												12525	18.6	1	51.6	73.3	80	80	67	275	76	80	80	70	285
												13225	24	1	66.6	92	100	100	85	275	94.8	100	100	87	285
												14225	31.8	2	88.3	119.1	125	125	110	275	121.9	125	125	112	285
	230-3-60	14.5	98	23	14.5	98	23	2.3	7.2	1		None	-	-	-	44.4	45	50	47	278	46.4	50	60	49	272
												11725	16	1	38.5	57.1	60	60	53	278	59.6	60	60	55	272
												12525	24.8	1	59.7	83.6	90	90	77	278	86.1	90	90	79	272
												13225	32	1	77	105.3	110	110	97	278	107.8	110	110	99	272
												14225	42.4	2	102	136.5	150	150	126	278	139	150	150	128	272
	460-3-60	6.3	55	10	6.3	55	10	1.3	3.6	0.5		None	-	-	-	20.4	25	25	22	153	21.4	25	25	23	149
												11746	16.5	1	19.8	29.3	30	30	27	153	30.5	35	27	28	149
												12846	27.8	1	33.4	46.3	50	50	43	153	47.5	50	43	44	149
												13346	33	1	39.7	54.1	60	60	50	153	55.4	60	50	51	149
												14246	41.7	2	50.2	67.3	70	70	62	153	68.5	70	62	63	149
575-3-60	6	41	9	6	41	9	1.1	2.5	0.4		None	-	-	-	18.2	20	20	19	109	19	20	20	106		
12 (10)	208-3-60	16	110	25	15.6	110	24	2.3	9.9	1.1		None	-	-	-	50.1	60	60	53	312	52.3	60	60	56	322
												11725	12	1	33.3	54	60	60	53	312	56.8	60	60	56	322
												12525	18.6	1	51.6	76.9	80	80	71	312	79.6	80	80	73	322
												13225	24	1	66.6	95.6	100	100	88	312	98.4	100	100	91	322
												14225	31.8	2	88.3	122.8	125	125	113	312	125.5	150	150	115	322
	230-3-60	16	110	25	15.6	110	24	2.3	9.4	1		None	-	-	-	49.6	50	60	52	321	51.6	60	60	55	315
												11725	16	1	38.5	59.9	60	60	55	321	62.4	70	70	57	315
												12525	24.8	1	59.7	86.4	90	90	79	321	88.9	90	90	82	315
												13225	32	1	77	108	110	110	99	321	110.5	125	125	102	315
												14225	42.4	2	102	139.3	150	150	128	321	141.8	150	150	130	315
	460-3-60	7.8	52	12	7.8	52	12	1.3	4.7	0.5		None	-	-	-	24.9	25	30	26	156	25.9	30	30	27	152
												11746	16.5	1	19.8	30.6	35	35	28	156	31.9	35	28	29	152
												12846	27.8	1	33.4	47.6	50	50	44	156	48.9	50	44	45	152
												13346	33	1	39.7	55.5	60	60	51	156	56.8	60	51	52	152
												14246	41.7	2	50.2	68.6	70	70	63	156	69.9	70	63	64	152
575-3-60	5.7	38.9	9	5.8	38.9	9	1.1	4.3	0.4		None	-	-	-	19.5	20	25	21	127	20.3	25	25	124		
14 (12.5)	208-3-60	19.6	136	31	19.6	136	31	5.8	9.9	1.1		None	-	-	-	59.8	60	70	63	367	62	70	80	66	377
												11725	12	1	33.3	59.8	60	70	63	367	62	70	80	66	377
												12525	18.6	1	51.6	76.9	80	80	71	367	79.6	80	80	73	377
												13225	24	1	66.6	95.6	100	100	88	367	98.4	100	100	91	377
												14225	31.8	2	88.3	122.8	125	125	113	367	125.5	150	150	115	377
	230-3-60	19.6	136	31	19.6	136	31	5.2	9.4	1		None	-	-	-	58.7	60	70	62	372	60.7	70	80	64	376
												11725	16	1	38.5	59.9	60	70	62	372	62.4	70	80	64	376
												12525	24.8	1	59.7	86.4	90	90	79	372	88.9	90	90	82	376
												13225	32	1	77	108	110	110	99	372	110.5	125	125	102	376
												14225	42.4	2	102	139.3	150	150	128	372	141.8	150	150	130	376
	460-3-60	8.2	66.1	13	8.2	66.1	13	2.9	4.7	0.5		None	-	-	-	26.1	30	30	28	184	27.1	30	30	29	186
												11746	16.5	1	19.8	30.6	35	35	28	184	31.9	35	28	29	186
												12846	27.8	1	33.4	47.6	50	50	44	184	48.9	50	44	45	186
												13346	33	1	39.7	55.5	60	60	51	184	56.8	60	51	52	186
												14246	41.7	2	50.2	68.6	70	70	63	184	69.9	70	63	64	186
575-3-60	6.6	55.3	10	6.6	55.3	10	2.2	4.3	0.4		None	-	-	-	21.4	25	25	23	162	22.2	25	25	164		

1. Minimum Circuit Ampacity.
2. Dual Element, Time Delay Type.
3. HACR type per NEC.
4. Non-fused Disconnect, Verify on the unit nameplate that the disconnect is properly sized for the application. Units with field installed electric heat kits may exceed the factory installed disconnect amperage rating.

ZX04-14 Medium Static Indoor Blower - With Powered Convenience Outlet

Size (Tons)	Nominal Unit Voltage	Compressor 1			Compressor 2			OD Fan Motors (each)	Supply Blower Motor	Pwr Exh Motor	Pwr Conv Outlet	Electric Heat Field Installed Kit 2EK045*				MCA ¹ (Amps)	Min Fuse ^{2/} Breaker ³ Size (Amps)	Max Fuse ^{2/} Breaker ³ Size (Amps)	Min Discon-nect Rating ⁴		MCA ¹ w/Pwr Exh (Amps)	Min Fuse ^{2/} Breaker ³ Size w/ Pwr Exh (Amps)	Max Fuse ^{2/} Breaker ³ Size w/ Pwr Exh (Amps)	Min Discon-nect Rating ⁴ / Pwr Exh	
		RLA	LRA	MCC	RLA	LRA	MCC					Model	kW	Stages	Amps				FLA	LRA				FLA	LRA
04 (3)	208-1-60	16.7	79	26				1.4	7.6	1.5	8.6	None	-	-	-	34.2	35	50	35	120	35.7	40	50	36	123
												10625	4.9	1	23.6	44.4	45	50	41	120	46.3	50	50	43	123
												11125	7.9	1	38	62.4	70	70	57	120	64.3	70	70	59	123
	230-1-60	16.7	79	26				1.4	7	1.3	8.6	None	-	-	-	33.6	35	50	34	122	34.9	35	50	35	125
												10625	6.5	1	27.1	48	50	44	122	49.6	50	50	46	125	
												11125	10.5	1	43.8	68.9	70	70	63	122	70.5	80	80	65	125
	208-3-60	10.4	73	16				1.4	5.2	1.1	8.6	None	-	-	-	23.9	25	30	24	103	25	25	35	26	106
												10625	4.9	1	13.6	28.9	30	30	27	103	30.3	35	35	28	106
												11125	7.9	1	21.9	39.3	40	40	36	103	40.6	45	45	37	106
	230-3-60	10.4	73	16				1.4	5.2	1	8.6	None	-	-	-	23.9	25	30	24	106	24.9	25	35	26	108
												10625	6.5	1	15.6	31.4	35	35	29	106	32.6	35	35	30	108
												11125	10.5	1	25.3	43.5	45	45	40	106	44.8	45	45	41	108
	460-3-60	5.8	38	9				0.8	2.6	0.5	8.6	None	-	-	-	12.9	15	15	13	55	13.4	15	15	14	56
												10646	6	1	7.2	14.9	15	15	14	55	15.6	20	14	14	56
												11146	11.5	1	13.8	23.2	25	25	21	55	23.8	25	21	22	56
	575-3-60	3.8	36.5	6				0.6	2	0.4	8.6	None	-	-	-	9.1	15	15	9	50	9.5	15	15	10	51
												10625	4.9	1	23.6	44.4	45	60	41	158	42.1	45	60	42	161
												11125	7.9	1	38	62.4	70	70	57	158	64.3	70	70	59	161
05 (4)	208-1-60	21.8	117	34				1.4	7.6	1.5	8.6	None	-	-	-	40.6	45	60	40	158	42.1	45	60	42	161
												10625	4.9	1	23.6	44.4	45	60	41	158	46.3	50	60	43	161
												11125	7.9	1	38	62.4	70	70	57	158	64.3	70	70	59	161
	230-1-60	21.8	117	34				1.4	7	1.3	8.6	None	-	-	-	40	40	60	40	160	41.3	45	60	41	163
												10625	6.5	1	27.1	48	50	60	44	160	49.6	50	60	46	163
												11125	10.5	1	43.8	68.9	70	70	63	160	70.5	80	80	65	163
	208-3-60	13.7	83.1	21				1.4	5.2	1.1	8.6	None	-	-	-	28	30	40	28	113	29.1	30	40	30	116
												10625	4.9	1	13.6	28.9	30	40	28	113	30.3	35	40	30	116
												11125	7.9	1	21.9	39.3	40	40	36	113	40.6	45	45	37	116
	230-3-60	13.7	83.1	21				1.4	5.2	1	8.6	None	-	-	-	28	30	40	28	116	29	30	40	29	118
												10625	6.5	1	15.6	31.4	35	40	29	116	32.6	35	40	30	118
												11125	10.5	1	25.3	43.5	45	45	40	116	44.8	45	45	41	118
	460-3-60	6.2	41	10				0.8	2.6	0.5	8.6	None	-	-	-	13.4	15	15	14	58	13.9	15	15	14	59
												10646	6	1	7.2	14.9	15	15	14	58	15.6	20	14	14	59
												11146	11.5	1	13.8	23.2	25	25	21	58	23.8	25	21	22	59
	575-3-60	4.8	33	8				0.6	2	0.4	8.6	None	-	-	-	10.3	15	15	10	46	10.7	15	15	11	47
												10625	4.9	1	23.6	47.1	50	70	47	176	48.6	50	70	48	180
												11125	7.9	1	38	62.4	70	70	57	176	64.3	70	70	59	180
06 (5)	208-1-60	26.3	134	41				2.3	7.6	1.5	8.6	None	-	-	-	47.1	50	70	47	176	48.6	50	70	48	180
												10625	4.9	1	23.6	47.1	50	70	47	176	48.6	50	70	48	180
												11125	7.9	1	38	62.4	70	70	57	176	64.3	70	70	59	180
	230-1-60	26.3	134	41				2.3	7	1.3	8.6	None	-	-	-	46.5	50	70	46	179	47.8	50	70	47	182
												10625	6.5	1	27.1	48	50	70	46	179	49.6	50	70	47	182
												11125	10.5	1	43.8	68.9	70	70	63	179	70.5	80	80	65	182
	208-3-60	15.6	110	24				2.3	5.2	1.1	8.6	None	-	-	-	31.3	35	45	32	142	32.4	35	45	33	144
												10625	4.9	1	13.6	31.3	35	45	32	142	32.4	35	45	33	144
												11125	7.9	1	21.9	39.3	40	45	36	142	40.6	45	45	37	144
	230-3-60	15.6	110	24				2.3	5.2	1	8.6	None	-	-	-	31.3	35	45	32	144	32.3	35	45	33	147
												10625	6.5	1	15.6	31.4	35	45	32	144	32.6	35	45	33	147
												11125	10.5	1	25.3	43.5	45	45	40	144	44.8	45	45	41	147
	460-3-60	7.8	52	12				1.3	2.6	0.5	8.6	None	-	-	-	15.9	20	20	16	70	16.4	20	20	17	71
												10646	6	1	7.2	15.9	20	20	14	70	16.4	20	14	14	71
												11146	11.5	1	13.8	23.2	25	25	21	70	23.8	25	21	22	71
	575-3-60	5.8	38.9	9				1.1	2	0.4	8.6	None	-	-	-	12.1	15	15	12	53	12.5	15	15	13	54

ZX04-14 Medium Static Indoor Blower - With Powered Convenience Outlet (Continued)

Size (Tons)	Nominal Unit Voltage	Compressor 1			Compressor 2			OD Fan Motors (each)	Supply Blower Motor	Pwr Exh Motor	Pwr Conv Outlet	Electric Heat Field Installed Kit 2EK045*				MCA ¹ (Amps)	Min Fuse ² / Breaker ³ Size (Amps)	Max Fuse ² / Breaker ³ Size (Amps)	Min Disconnect Rating ⁴		MCA ¹ w/Pwr Exh (Amps)	Min Fuse ² / Breaker ³ Size w/ Pwr Exh (Amps)	Max Fuse ² / Breaker ³ Size w/ Pwr Exh (Amps)	Min Disconnect Rating ⁴ / Pwr Exh	
		RLA	LRA	MCC	RLA	LRA	MCC					Model	kW	Stages	Amps				FLA	LRA				FLA	LRA
07 (6)	208-3-60	19.6	136	31				2.3	7.5	1.1	8.6	None	-	-	-	38.6	40	50	39	194	39.7	40	50	40	196
												10625	4.9	1	13.6	38.6	40	50	39	194	39.7	40	50	40	196
												11125	7.9	1	21.9	42.1	45	50	39	194	43.5	45	50	40	196
												11625	12	1	33.3	56.4	60	60	52	194	57.8	60	60	53	196
	230-3-60	19.6	136	31				2.3	7.5	1	8.6	None	-	-	-	38.6	40	50	39	200	39.6	40	50	40	203
												10625	6.5	1	15.6	38.6	40	50	39	200	39.6	40	50	40	203
												11125	10.5	1	25.3	46.4	50	50	43	200	47.6	50	50	44	203
												11625	16	1	38.5	62.9	70	70	58	200	64.1	70	70	59	203
	460-3-60	8.2	66.1	13				1.3	3.4	0.5	8.6	None	-	-	-	17.2	20	25	17	99	17.7	20	25	18	100
												10646	6	1	7.2	17.2	20	25	15	99	17.7	20	15	15	100
												11146	11.5	1	13.8	24.2	25	25	22	99	24.8	25	22	23	100
	575-3-60	6.6	55.3	10				1.1	2.8	0.4	8.6	None	-	-	-	13.9	15	20	14	81	14.3	15	20	14	82
08 (7.5)	208-3-60	13.6	83.1	21	13.6	83.1	21	2.3	7.5	1.1	8.6	None	-	-	-	47	50	60	50	238	49.2	50	60	53	248
												11725	12	1	33.3	56.4	60	60	52	238	59.1	60	60	54	248
												12525	18.6	1	51.6	79.3	80	80	73	238	82	90	90	75	248
												13225	24	1	66.6	98	100	100	90	238	100.8	110	110	93	248
												14225	31.8	2	88.3	125.1	150	150	115	238	127.9	150	150	118	248
	230-3-60	13.6	83.1	21	13.6	83.1	21	2.3	7.5	1	8.6	None	-	-	-	47	50	60	50	246	49	50	60	52	240
												11725	16	1	38.5	62.9	70	70	58	246	65.4	70	70	60	240
												12525	24.8	1	59.7	89.4	90	90	82	246	91.9	100	100	85	240
												13225	32	1	77	111	125	125	102	246	113.5	125	125	104	240
												14225	42.4	2	102	142.3	150	150	131	246	144.8	150	150	133	240
	460-3-60	6.1	41	10	6.1	41	10	1.3	3.4	0.5	8.6	None	-	-	-	21.9	25	25	23	123	22.9	25	25	25	120
												11746	16.5	1	19.8	31.7	35	35	29	123	32.9	35	29	30	120
12846												27.8	1	33.4	48.7	50	50	45	123	49.9	50	45	46	120	
13346												33	1	39.7	56.6	60	60	52	123	57.8	60	52	53	120	
575-3-60	4.2	33	7	4.2	33	7	1.1	2.8	0.4	8.6	None	-	-	-	16.2	20	20	17	99	17	20	20	18	96	
09 (8.5)	208-3-60	14.5	98	23	14.5	98	23	2.3	5.2	1.1	8.6	None	-	-	-	46.7	50	60	50	242	48.9	50	60	52	252
												11725	12	1	33.3	53.5	60	60	50	242	56.3	60	60	52	252
												12525	18.6	1	51.6	76.4	80	80	70	242	79.1	80	80	73	252
												13225	24	1	66.6	95.1	100	100	88	242	97.9	100	100	90	252
												14225	31.8	2	88.3	122.3	125	125	112	242	125	150	150	115	252
	230-3-60	14.5	98	23	14.5	98	23	2.3	5.2	1	8.6	None	-	-	-	46.7	50	60	50	245	48.7	50	60	52	240
												11725	16	1	38.5	60	60	55	245	62.5	70	70	58	240	
												12525	24.8	1	59.7	86.5	90	90	80	245	89	90	90	82	240
												13225	32	1	77	108.1	110	110	99	245	110.6	125	125	102	240
												14225	42.4	2	102	139.4	150	150	128	245	141.9	150	150	131	240
	460-3-60	6.3	55	10	6.3	55	10	1.3	2.6	0.5	8.6	None	-	-	-	21.6	25	25	23	136	22.6	25	25	24	133
												11746	16.5	1	19.8	30.7	35	35	28	136	31.9	35	28	29	133
12846												27.8	1	33.4	47.7	50	50	44	136	48.9	50	44	45	133	
13346												33	1	39.7	55.6	60	60	51	136	56.8	60	51	52	133	
575-3-60	6	41	9	6	41	9	1.1	2	0.4	8.6	None	-	-	-	19.4	20	25	21	103	20.2	25	25	22	100	

ZX04-14 Medium Static Indoor Blower - With Powered Convenience Outlet (Continued)

Size (Tons)	Nominal Unit Voltage	Compressor 1			Compressor 2			OD Fan Motors (each)	Supply Blower Motor	Pwr Exh Motor	Pwr Conv Outlet	Electric Heat Field Installed Kit 2EK045*				MCA ¹ (Amps)	Min Fuse ² /Breaker ³ Size (Amps)	Max Fuse ² /Breaker ³ Size (Amps)	Min Disconnect Rating ⁴		MCA ¹ w/Pwr Exh (Amps)	Min Fuse ² /Breaker ³ Size w/ Pwr Exh (Amps)	Max Fuse ² /Breaker ³ Size w/ Pwr Exh (Amps)	Min Disconnect Rating ⁵ /Pwr Exh	
		RLA	LRA	MCC	RLA	LRA	MCC					Model	kW	Stages	Amps				FLA	LRA				FLA	LRA
12 (10)	208-3-60	16	110	25	15.6	110	24	2.3	10.2	1.1	8.6	None	-	-	-	54.7	60	70	58	307	56.9	60	70	61	317
												11725	12	1	33.3	59.8	60	70	58	307	62.5	70	70	61	317
												12525	18.6	1	51.6	82.6	90	90	76	307	85.4	90	90	79	317
												13225	24	1	66.6	101.4	110	110	93	307	104.1	110	110	96	317
												14225	31.8	2	88.3	128.5	150	150	118	307	131.3	150	150	121	317
	230-3-60	16	110	25	15.6	110	24	2.3	10.2	1	8.6	None	-	-	-	54.7	60	70	58	313	56.7	60	70	61	308
												11725	16	1	38.5	66.3	70	70	61	313	68.8	70	70	63	308
												12525	24.8	1	59.7	92.8	100	100	85	313	95.3	100	100	88	308
												13225	32	1	77	114.4	125	125	105	313	116.9	125	125	108	308
												14225	42.4	2	102	145.6	150	150	134	313	148.1	150	150	136	308
	460-3-60	7.8	52	12	7.8	52	12	1.3	4.8	0.5	8.6	None	-	-	-	27.2	30	30	29	152	28.2	30	30	30	149
												11746	16.5	1	19.8	33.4	35	35	31	152	34.7	35	31	32	149
12846												27.8	1	33.4	50.4	60	60	46	152	51.7	60	46	48	149	
13346												33	1	39.7	58.3	60	60	54	152	59.6	60	54	55	149	
14246												41.7	2	50.2	71.4	80	80	66	152	72.7	80	66	67	149	
575-3-60	5.7	38.9	9	5.8	38.9	9	1.1	3.4	0.4	8.6	None	-	-	-	20.3	25	25	22	117	21.1	25	25	23	114	
14 (12.5)	208-3-60	19.6	136	31	19.6	136	31	5.8	9.9	1.1	8.6	None	-	-	-	64.1	70	80	68	371	66.3	70	80	71	381
												11725	12	1	33.3	64.1	70	80	68	371	66.3	70	80	71	381
												12525	18.6	1	51.6	82.3	90	90	76	371	85	90	90	78	381
												13225	24	1	66.6	101	110	110	93	371	103.8	110	110	95	381
												14225	31.8	2	88.3	128.1	150	150	118	371	130.9	150	150	120	381
	230-3-60	19.6	136	31	19.6	136	31	5.2	9.4	1	8.6	None	-	-	-	63	70	80	67	376	65	70	80	69	381
												11725	16	1	38.5	65.3	70	80	67	376	67.8	70	80	69	381
												12525	24.8	1	59.7	91.8	100	100	84	376	94.3	100	100	87	381
												13225	32	1	77	113.4	125	125	104	376	115.9	125	125	107	381
												14225	42.4	2	102	144.6	150	150	133	376	147.1	150	150	135	381
	460-3-60	8.2	66.1	13	8.2	66.1	13	2.9	4.7	0.5	8.6	None	-	-	-	28.3	30	35	30	186	29.3	30	35	31	188
												11746	16.5	1	19.8	33.3	35	35	31	186	34.6	35	31	32	188
12846												27.8	1	33.4	50.3	60	60	46	186	51.6	60	46	47	188	
13346												33	1	39.7	58.2	60	60	54	186	59.4	60	54	55	188	
14246												41.7	2	50.2	71.3	80	80	66	186	72.6	80	66	67	188	
575-3-60	6.6	55.3	10	6.6	55.3	10	2.2	4.3	0.4	8.6	None	-	-	-	23.1	25	25	25	164	23.9	25	25	26	165	
With VFD																									
08 (7.5)	208-3-60	13.6	83.1	21	13.6	83.1	21	2.3	8.9	1.1	8.6	None	-	-	-	48.4	50	60	52	267	50.6	60	60	54	277
												11725	12	1	33.3	58.1	60	60	53	267	60.9	70	70	56	277
												12525	18.6	1	51.6	81	90	90	75	267	83.8	90	90	77	277
												13225	24	1	66.6	99.8	100	100	92	267	102.5	110	110	94	277
												14225	31.8	2	88.3	126.9	150	150	117	267	129.6	150	150	119	277
	230-3-60	13.6	83.1	21	13.6	83.1	21	2.3	8.2	1	8.6	None	-	-	-	47.7	50	60	51	270	49.7	50	60	53	264
												11725	16	1	38.5	63.8	70	70	59	270	66.3	70	70	61	264
												12525	24.8	1	59.7	90.3	100	100	83	270	92.8	100	100	85	264
												13225	32	1	77	111.9	125	125	103	270	114.4	125	125	105	264
												14225	42.4	2	102	143.1	150	150	132	270	145.6	150	150	134	264
	460-3-60	6.1	41	10	6.1	41	10	1.3	4.1	0.5	8.6	None	-	-	-	22.6	25	25	24	130	23.6	25	25	25	127
												11746	16.5	1	19.8	32.6	35	35	30	130	33.8	35	30	31	127
12846												27.8	1	33.4	49.6	50	50	46	130	50.8	60	46	47	127	
13346												33	1	39.7	57.4	60	60	53	130	58.7	60	53	54	127	
14246												41.7	2	50.2	70.6	80	80	65	130	71.8	80	65	66	127	
575-3-60	4.2	33	7	4.2	33	7	1.1	3.2	0.4	8.6	None	-	-	-	16.6	20	20	18	103	17.4	20	20	19	100	

ZX04-14 Medium Static Indoor Blower - With Powered Convenience Outlet (Continued)

Size (Tons)	Nominal Unit Voltage	Compressor 1			Compressor 2			OD Fan Motors (each)	Supply Blower Motor	Pwr Exh Motor	Pwr Conv Outlet	Electric Heat Field Installed Kit 2EK045*				MCA ¹ (Amps)	Min Fuse ² /Breaker ³ Size (Amps)	Max Fuse ² /Breaker ³ Size (Amps)	Min Disconnect Rating ⁴		MCA ¹ w/Pwr Exh (Amps)	Min Fuse ² /Breaker ³ Size w/ Pwr Exh (Amps)	Max Fuse ² /Breaker ³ Size w/ Pwr Exh (Amps)	Min Disconnect Rating ⁴ /Pwr Exh	
		RLA	LRA	MCC	RLA	LRA	MCC					Model	kW	Stages	Amps				FLA	LRA				FLA	LRA
09 (8.5)	208-3-60	14.5	98	23	14.5	98	23	2.3	7	1.1	8.6	None	-	-	-	48.5	50	60	52	280	50.7	60	60	54	290
												11725	12	1	33.3	55.8	60	60	52	280	58.5	60	60	54	290
												12525	18.6	1	51.6	78.6	80	80	72	280	81.4	90	90	75	290
												13225	24	1	66.6	97.4	100	100	90	280	100.1	110	110	92	290
	230-3-60	14.5	98	23	14.5	98	23	2.3	7.2	1	8.6	None	-	-	-	48.7	50	60	52	282	50.7	60	60	54	277
												11725	16	1	38.5	62.5	70	70	58	282	65	70	70	60	277
												12525	24.8	1	59.7	89	90	90	82	282	91.5	100	100	84	277
												13225	32	1	77	110.6	125	125	102	282	113.1	125	125	104	277
	460-3-60	6.3	55	10	6.3	55	10	1.3	3.6	0.5	8.6	None	-	-	-	22.6	25	25	24	155	23.6	25	25	25	151
												11746	16.5	1	19.8	31.9	35	35	29	155	33.2	35	29	31	151
												12846	27.8	1	33.4	48.9	50	50	45	155	50.2	60	45	46	151
												13346	33	1	39.7	56.8	60	60	52	155	58.1	60	52	53	151
575-3-60	6	41	9	6	41	9	1.1	2.5	0.4	8.6	None	-	-	-	19.9	20	25	21	111	20.7	25	25	22	108	
12 (10)	208-3-60	16	110	25	15.6	110	24	2.3	9.9	1.1	8.6	None	-	-	-	54.4	60	70	58	316	56.6	60	70	60	326
												11725	12	1	33.3	59.4	60	70	58	316	62.1	70	70	60	326
												12525	18.6	1	51.6	82.3	90	90	76	316	85	90	90	78	326
												13225	24	1	66.6	101	110	110	93	316	103.8	110	110	95	326
	230-3-60	16	110	25	15.6	110	24	2.3	9.4	1	8.6	None	-	-	-	53.9	60	60	57	325	55.9	60	70	60	320
												11725	16	1	38.5	65.3	70	70	60	325	67.8	70	70	62	320
												12525	24.8	1	59.7	91.8	100	100	84	325	94.3	100	100	87	320
												13225	32	1	77	113.4	125	125	104	325	115.9	125	125	107	320
	460-3-60	7.8	52	12	7.8	52	12	1.3	4.7	0.5	8.6	None	-	-	-	27.1	30	30	29	158	28.1	30	30	30	154
												11746	16.5	1	19.8	33.3	35	35	31	158	34.6	35	31	32	154
												12846	27.8	1	33.4	50.3	60	60	46	158	51.6	60	46	47	154
												13346	33	1	39.7	58.2	60	60	54	158	59.4	60	54	55	154
575-3-60	5.7	38.9	9	5.8	38.9	9	1.1	4.3	0.4	8.6	None	-	-	-	21.2	25	25	23	129	22	25	25	24	126	
14 (12.5)	208-3-60	19.6	136	31	19.6	136	31	5.8	9.9	1.1	8.6	None	-	-	-	64.1	70	80	68	371	66.3	70	80	71	381
												11725	12	1	33.3	64.1	70	80	68	371	66.3	70	80	71	381
												12525	18.6	1	51.6	82.3	90	90	76	371	85	90	90	78	381
												13225	24	1	66.6	101	110	110	93	371	103.8	110	110	95	381
	230-3-60	19.6	136	31	19.6	136	31	5.2	9.4	1	8.6	None	-	-	-	63	70	80	67	376	65	70	80	69	381
												11725	16	1	38.5	65.3	70	80	67	376	67.8	70	80	69	381
												12525	24.8	1	59.7	91.8	100	100	84	376	94.3	100	100	87	381
												13225	32	1	77	113.4	125	125	104	376	115.9	125	125	107	381
	460-3-60	8.2	66.1	13	8.2	66.1	13	2.9	4.7	0.5	8.6	None	-	-	-	28.3	30	35	30	186	29.3	30	35	31	188
												11746	16.5	1	19.8	33.3	35	35	31	186	34.6	35	31	32	188
												12846	27.8	1	33.4	50.3	60	60	46	186	51.6	60	46	47	188
												13346	33	1	39.7	58.2	60	60	54	186	59.4	60	54	55	188
575-3-60	6.6	55.3	10	6.6	55.3	10	2.2	4.3	0.4	8.6	None	-	-	-	23.1	25	25	25	164	23.9	25	25	26	165	

1. Minimum Circuit Ampacity.
2. Dual Element, Time Delay Type.
3. HACR type per NEC.
4. Non-fused Disconnect, Verify on the unit nameplate that the disconnect is properly sized for the application. Units with field installed electric heat kits may exceed the factory installed disconnect amperage rating.

ZX04-14 Hi Static Indoor Blower - Without Powered Convenience Outlet

Size (Tons)	Nominal Unit Voltage	Compressor 1			Compressor 2			OD Fan Motors (each)	Supply Blower Motor	Pwr Exh Motor	Pwr Conv Outlet	Electric Heat Field Installed Kit 2EK045*			MCA ¹ (Amps)	Min Fuse ² /Breaker ³ Size (Amps)	Max Fuse ² /Breaker ³ Size (Amps)	Min Disconnect Rating ⁴		MCA ¹ w/Pwr Exh (Amps)	Min Fuse ² /Breaker ³ Size w/ Pwr Exh (Amps)	Max Fuse ² /Breaker ³ Size w/ Pwr Exh (Amps)	Min Disconnect Rating ⁴ /Pwr Exh				
		RLA	LRA	MCC	RLA	LRA	MCC					Model	kW	Stages				Amps	FLA				LRA	FLA	LRA		
04 (3)	208-3-60	10.4	73	16				1.4	5.2	1.1			None	-	-	-	19.6	20	30	20	99	20.7	25	30	21	101	
													10625	4.9	1	13.6	23.5	25	30	22	99	24.9	25	30	23	101	
													11125	7.9	1	21.9	33.9	35	35	31	99	35.3	40	40	32	101	
													11625	12	1	33.3	48.1	50	50	44	99	49.5	50	50	46	101	
	230-3-60	10.4	73	16				1.4	5.2	1				None	-	-	-	19.6	20	30	20	101	20.6	25	30	21	104
														10625	6.5	1	15.6	26	30	30	24	101	27.3	30	30	25	104
														11125	10.5	1	25.3	38.1	40	40	35	101	39.4	40	40	36	104
														11625	16	1	38.5	54.6	60	60	50	101	55.9	60	60	51	104
	460-3-60	5.8	38	9				0.8	2.6	0.5				None	-	-	-	10.7	15	15	11	52	11.2	15	15	11	54
														10646	6	1	7.2	12.3	15	15	11	52	12.9	15	11	12	54
														11146	11.5	1	13.8	20.5	25	25	19	52	21.1	25	19	19	54
														11446	14	1	16.8	24.3	25	25	22	52	24.9	25	22	23	54
575-3-60	3.8	36.5	6				0.6	2	0.4				None	-	-	-	7.4	15	15	7	48	7.8	15	15	8	49	
05 (4)	208-3-60	13.7	83.1	21				1.4	5.2	1.1			None	-	-	-	23.7	25	35	23	109	24.8	25	35	25	111	
													10625	4.9	1	13.6	23.7	25	35	23	109	24.9	25	35	25	111	
													11125	7.9	1	21.9	33.9	35	35	31	109	35.3	40	40	32	111	
													11625	12	1	33.3	48.1	50	50	44	109	49.5	50	50	46	111	
	230-3-60	13.7	83.1	21				1.4	5.2	1				None	-	-	-	23.7	25	35	23	111	24.7	25	35	24	114
														10625	6.5	1	15.6	26	30	35	24	111	27.3	30	35	25	114
														11125	10.5	1	25.3	38.1	40	40	35	111	39.4	40	40	36	114
														11625	16	1	38.5	54.6	60	60	50	111	55.9	60	60	51	114
	460-3-60	6.2	41	10				0.8	2.6	0.5				None	-	-	-	11.2	15	15	11	55	11.7	15	15	12	57
														10646	6	1	7.2	12.3	15	15	11	55	12.9	15	11	12	57
														11146	11.5	1	13.8	20.5	25	25	19	55	21.1	25	19	19	57
														11446	14	1	16.8	24.3	25	25	22	55	24.9	25	22	23	57
575-3-60	4.8	33	8				0.6	2	0.4				None	-	-	-	8.6	15	15	9	45	9	15	15	9	45	
06 (5)	208-3-60	15.6	110	24				2.3	7.5	1.1			None	-	-	-	29.3	30	40	29	163	30.4	35	45	30	166	
													10625	4.9	1	13.6	29.3	30	40	29	163	30.4	35	45	30	166	
													11125	7.9	1	21.9	36.8	40	40	34	163	38.1	40	45	35	166	
													11625	12	1	33.3	51	60	60	47	163	52.4	60	60	48	166	
	230-3-60	15.6	110	24				2.3	7.5	1				None	-	-	-	29.3	30	40	29	170	30.3	35	45	30	172
														10625	6.5	1	15.6	29.3	30	40	29	170	30.3	35	45	30	172
														11125	10.5	1	25.3	41	45	45	38	170	42.3	45	45	39	172
														11625	16	1	38.5	57.5	60	60	53	170	58.8	60	60	54	172
	460-3-60	7.8	52	12				1.3	3.4	0.5				None	-	-	-	14.5	15	20	14	82	15	15	20	15	84
														10646	6	1	7.2	14.5	15	20	12	82	15	15	12	13	84
														11146	11.5	1	13.8	21.5	25	25	20	82	22.1	25	20	20	84
														11446	14	1	16.8	25.3	30	30	23	82	25.9	30	23	24	84
575-3-60	5.8	38.9	9				1.1	2.8	0.4				None	-	-	-	11.2	15	15	11	63	11.6	15	15	12	64	
07 (6)	208-3-60	19.6	136	31				2.3	10.2	1.1			None	-	-	-	37	40	50	37	204	38.1	40	50	38	207	
													10625	4.9	1	13.6	37	40	50	37	204	38.1	40	50	38	207	
													11125	7.9	1	21.9	40.1	45	50	37	204	41.5	45	50	38	207	
													11625	12	1	33.3	54.4	60	60	50	204	55.8	60	60	51	207	
	230-3-60	19.6	136	31				2.3	10.2	1				None	-	-	-	37	40	50	37	210	38	40	50	38	212
														10625	6.5	1	15.6	37	40	50	37	210	38	40	50	38	212
														11125	10.5	1	25.3	44.4	45	50	41	210	45.6	50	50	42	212
														11625	16	1	38.5	60.9	70	70	56	210	62.1	70	70	57	212
	460-3-60	8.2	66.1	13				1.3	4.8	0.5				None	-	-	-	16.4	20	20	16	104	16.9	20	20	17	105
														10646	6	1	7.2	16.4	20	20	14	104	16.9	20	14	14	105
														11146	11.5	1	13.8	23.3	25	25	21	104	23.9	25	21	22	105
														11446	14	1	16.8	27	30	30	25	104	27.6	30	25	25	105
575-3-60	6.6	55.3	10				1.1	3.4	0.4				None	-	-	-	12.8	15	15	13	85	13.2	15	15	13	86	

ZX04-14 Hi Static Indoor Blower - Without Powered Convenience Outlet (Continued)

Size (Tons)	Nominal Unit Voltage	Compressor 1			Compressor 2			OD Fan Motors (each)	Supply Blower Motor	Pwr Exh Motor	Pwr Conv Outlet	Electric Heat Field Installed Kit 2EK045*				MCA ¹ (Amps)	Min Fuse ² / Breaker ³ Size (Amps)	Max Fuse ² / Breaker ³ Size (Amps)	Min Discon- nect Rating ⁴		MCA ¹ w/Pwr Exh (Amps)	Min Fuse ² / Breaker ³ Size w/ Pwr Exh (Amps)	Max Fuse ² / Breaker ³ Size w/ Pwr Exh (Amps)	Min Discon- nect Rating ⁴ / Pwr Exh		
		RLA	LRA	MCC	RLA	LRA	MCC					Model	kW	Stages	Amps				FLA	LRA				FLA	LRA	
08 (7.5)	208-3-60	13.6	83.1	21	13.6	83.1	21	2.3	10.2	1.1		None	-	-	-	45.4	50	50	48	249	47.6	50	60	51	259	
												11725	12	1	33.3	54.4	60	60	50	249	57.1	60	60	53	259	
												12525	18.6	1	51.6	77.3	80	80	71	249	80	90	90	74	259	
												13225	24	1	66.6	96	100	100	88	249	98.8	100	100	91	259	
												14225	31.8	2	88.3	123.1	125	125	113	249	125.9	150	150	116	259	
	230-3-60	13.6	83.1	21	13.6	83.1	21	2.3	10.2	1			None	-	-	-	45.4	50	50	48	255	47.4	50	60	51	250
													11725	16	1	38.5	60.9	70	70	56	255	63.4	70	70	58	250
													12525	24.8	1	59.7	87.4	90	90	80	255	89.9	90	90	83	250
													13225	32	1	77	109	110	110	100	255	111.5	125	125	103	250
													14225	42.4	2	102	140.3	150	150	129	255	142.8	150	150	131	250
	460-3-60	6.1	41	10	6.1	41	10	1.3	4.8	0.5			None	-	-	-	21.1	25	25	23	128	22.1	25	25	24	125
													11746	16.5	1	19.8	30.8	35	35	28	128	32	35	28	29	125
													12846	27.8	1	33.4	47.8	50	50	44	128	49	50	44	45	125
													13346	33	1	39.7	55.6	60	60	51	128	56.9	60	51	52	125
													14246	41.7	2	50.2	68.8	70	70	63	128	70	70	63	64	125
575-3-60	4.2	33	7	4.2	33	7	1.1	3.4	0.4		None	-	-	-	15.1	20	20	16	103	15.9	20	20	17	100		
09 (8.5)	208-3-60	14.5	98	23	14.5	98	23	2.3	10.2	1.1		None	-	-	-	47.4	50	60	50	279	49.6	50	60	53	289	
												11725	12	1	33.3	54.4	60	60	50	279	57.1	60	60	53	289	
												12525	18.6	1	51.6	77.3	80	80	71	279	80	90	90	74	289	
												13225	24	1	66.6	96	100	100	88	279	98.8	100	100	91	289	
												14225	31.8	2	88.3	123.1	125	125	113	279	125.9	150	150	116	289	
	230-3-60	14.5	98	23	14.5	98	23	2.3	10.2	1			None	-	-	-	47.4	50	60	50	285	49.4	50	60	53	280
													11725	16	1	38.5	60.9	70	70	56	285	63.4	70	70	58	280
													12525	24.8	1	59.7	87.4	90	90	80	285	89.9	90	90	83	280
													13225	32	1	77	109	110	110	100	285	111.5	125	125	103	280
													14225	42.4	2	102	140.3	150	150	129	285	142.8	150	150	131	280
	460-3-60	6.3	55	10	6.3	55	10	1.3	4.8	0.5			None	-	-	-	21.6	25	25	23	156	22.6	25	25	24	153
													11746	16.5	1	19.8	30.8	35	35	28	156	32	35	28	29	153
													12846	27.8	1	33.4	47.8	50	50	44	156	49	50	44	45	153
													13346	33	1	39.7	55.6	60	60	51	156	56.9	60	51	52	153
													14246	41.7	2	50.2	68.8	70	70	63	156	70	70	63	64	153
575-3-60	6	41	9	6	41	9	1.1	3.4	0.4		None	-	-	-	19.1	20	25	20	119	19.9	20	25	21	116		
12 (10)	208-3-60	16	110	25	15.6	110	24	2.3	14.9	1.1		None	-	-	-	55.1	60	70	59	321	57.3	60	70	61	331	
												11725	12	1	33.3	60.3	70	70	59	321	63	70	70	61	331	
												12525	18.6	1	51.6	83.1	90	90	76	321	85.9	90	90	79	331	
												13225	24	1	66.6	101.9	110	110	94	321	104.6	110	110	96	331	
												14225	31.8	2	88.3	129	150	150	119	321	131.8	150	150	121	331	
	230-3-60	16	110	25	15.6	110	24	2.3	15	1			None	-	-	-	55.2	60	70	59	323	57.2	60	70	61	318
													11725	16	1	38.5	66.9	70	70	62	323	69.4	70	70	64	318
													12525	24.8	1	59.7	93.4	100	100	86	323	95.9	100	100	88	318
													13225	32	1	77	115	125	125	106	323	117.5	125	125	108	318
													14225	42.4	2	102	146.3	150	150	135	323	148.8	150	150	137	318
	460-3-60	7.8	52	12	7.8	52	12	1.3	7.5	0.5			None	-	-	-	27.7	30	35	30	160	28.7	30	35	31	156
													11746	16.5	1	19.8	34.1	35	35	31	160	35.4	40	31	33	156
													12846	27.8	1	33.4	51.1	60	60	47	160	52.4	60	47	48	156
													13346	33	1	39.7	59	60	60	54	160	60.3	70	54	55	156
													14246	41.7	2	50.2	72.1	80	80	66	160	73.4	80	66	68	156
575-3-60	5.7	38.9	9	5.8	38.9	9	1.1	5.6	0.4		None	-	-	-	20.8	25	25	22	122	21.6	25	25	23	120		

ZX04-14 Hi Static Indoor Blower - Without Powered Convenience Outlet (Continued)

Size (Tons)	Nominal Unit Voltage	Compressor 1			Compressor 2			OD Fan Motors (each)	Supply Blower Motor	Pwr Exh Motor	Pwr Conv Outlet	Electric Heat Field Installed Kit 2EK045*			MCA ¹ (Amps)	Min Fuse ² /Breaker ³ Size (Amps)	Max Fuse ² /Breaker ³ Size (Amps)	Min Discon-nect Rating ⁴		MCA ¹ w/Pwr Exh (Amps)	Min Fuse ² /Breaker ³ Size w/ Pwr Exh (Amps)	Max Fuse ² /Breaker ³ Size w/ Pwr Exh (Amps)	Min Discon-nect Rating ⁴ / Pwr Exh		
		RLA	LRA	MCC	RLA	LRA	MCC					Model	kW	Stages				Amps	FLA				LRA	FLA	LRA
14 (12.5)	208-3-60	19.6	136	31	19.6	136	31	5.8	13.5	1.1		None	-	-	-	63.4	70	80	67	397	65.6	70	80	70	407
												11725	12	1	33.3	63.4	70	80	67	397	65.6	70	80	70	407
												12525	18.6	1	51.6	81.4	90	90	75	397	84.1	90	90	77	407
												13225	24	1	66.6	100.1	110	110	92	397	102.9	110	110	95	407
												14225	31.8	2	88.3	127.3	150	150	117	397	130	150	150	120	407
	230-3-60	19.6	136	31	19.6	136	31	5.2	13.4	1		None	-	-	-	62.7	70	80	66	393	64.7	70	80	69	398
												11725	16	1	38.5	64.9	70	80	66	393	67.4	70	80	69	398
												12525	24.8	1	59.7	91.4	100	100	84	393	93.9	100	100	86	398
												13225	32	1	77	113	125	125	104	393	115.5	125	125	106	398
												14225	42.4	2	102	144.3	150	150	133	393	146.8	150	150	135	398
	460-3-60	8.2	66.1	13	8.2	66.1	13	2.9	6.7	0.5		None	-	-	-	28.1	30	35	30	194	29.1	30	35	31	196
												11746	16.5	1	19.8	33.1	35	35	30	194	34.4	35	30	32	196
12846												27.8	1	33.4	50.1	60	60	46	194	51.4	60	46	47	196	
13346												33	1	39.7	58	60	60	53	194	59.3	60	53	55	196	
14246												41.7	2	50.2	71.1	80	80	65	194	72.4	80	65	67	196	
575-3-60	6.6	55.3	10	6.6	55.3	10	2.2	5.4	0.4		None	-	-	-	22.5	25	24	162	23.3	25	25	25	164		
With VFD																									
08 (7.5)	208-3-60	13.6	83.1	21	13.6	83.1	21	2.3	9.9	1.1		None	-	-	-	45.1	50	50	48	258	47.3	50	50	50	268
												11725	12	1	33.3	54	60	60	50	258	56.8	60	60	52	268
												12525	18.6	1	51.6	76.9	80	80	71	258	79.6	80	80	73	268
												13225	24	1	66.6	95.6	100	100	88	258	98.4	100	100	91	268
												14225	31.8	2	88.3	122.8	125	125	113	258	125.5	150	150	115	268
	230-3-60	13.6	83.1	21	13.6	83.1	21	2.3	9.4	1		None	-	-	-	44.6	45	50	47	267	46.6	50	60	50	261
												11725	16	1	38.5	59.9	60	60	55	267	62.4	70	70	57	261
												12525	24.8	1	59.7	86.4	90	90	79	267	88.9	90	90	82	261
												13225	32	1	77	108	110	110	99	267	110.5	125	125	102	261
												14225	42.4	2	102	139.3	150	150	128	267	141.8	150	150	130	261
	460-3-60	6.1	41	10	6.1	41	10	1.3	4.7	0.5		None	-	-	-	21	25	25	22	134	22	25	25	24	130
												11746	16.5	1	19.8	30.6	35	35	28	134	31.9	35	28	29	130
12846												27.8	1	33.4	47.6	50	50	44	134	48.9	50	44	45	130	
13346												33	1	39.7	55.5	60	60	51	134	56.8	60	51	52	130	
14246												41.7	2	50.2	68.6	70	70	63	134	69.9	70	63	64	130	
575-3-60	4.2	33	7	4.2	33	7	1.1	4.3	0.4		None	-	-	-	16	20	20	17	115	16.8	20	20	18	113	
09 (8.5)	208-3-60	14.5	98	23	14.5	98	23	2.3	9.9	1.1		None	-	-	-	47.1	50	60	50	288	49.3	50	60	53	298
												11725	12	1	33.3	54	60	60	50	288	56.8	60	60	53	298
												12525	18.6	1	51.6	76.9	80	80	71	288	79.6	80	80	73	298
												13225	24	1	66.6	95.6	100	100	88	288	98.4	100	100	91	298
												14225	31.8	2	88.3	122.8	125	125	113	288	125.5	150	150	115	298
	230-3-60	14.5	98	23	14.5	98	23	2.3	9.4	1		None	-	-	-	46.6	50	60	49	297	48.6	50	60	52	291
												11725	16	1	38.5	59.9	60	60	55	297	62.4	70	70	57	291
												12525	24.8	1	59.7	86.4	90	90	79	297	88.9	90	90	82	291
												13225	32	1	77	108	110	110	99	297	110.5	125	125	102	291
												14225	42.4	2	102	139.3	150	150	128	297	141.8	150	150	130	291
	460-3-60	6.3	55	10	6.3	55	10	1.3	4.7	0.5		None	-	-	-	21.5	25	25	23	162	22.5	25	25	24	158
												11746	16.5	1	19.8	30.6	35	35	28	162	31.9	35	28	29	158
12846												27.8	1	33.4	47.6	50	50	44	162	48.9	50	44	45	158	
13346												33	1	39.7	55.5	60	60	51	162	56.8	60	51	52	158	
14246												41.7	2	50.2	68.6	70	70	63	162	69.9	70	63	64	158	
575-3-60	6	41	9	6	41	9	1.1	4.3	0.4		None	-	-	-	20	25	25	21	131	20.8	25	25	22	129	

ZX04-14 Hi Static Indoor Blower - Without Powered Convenience Outlet (Continued)

Size (Tons)	Nominal Unit Voltage	Compressor 1			Compressor 2			OD Fan Motors (each)	Supply Blower Motor	Pwr Exh Motor	Pwr Conv Outlet	Electric Heat Field Installed Kit 2EK045*				MCA ¹ (Amps)	Min Fuse ² / Breaker ³ Size (Amps)	Max Fuse ² / Breaker ³ Size (Amps)	Min Discon- nect Rating ⁴		MCA ¹ w/Pwr Exh (Amps)	Min Fuse ² / Breaker ³ Size w/ Pwr Exh (Amps)	Max Fuse ² / Breaker ³ Size w/ Pwr Exh (Amps)	Min Discon- nect Rating ⁴ / Pwr Exh		
		RLA	LRA	MCC	RLA	LRA	MCC					Model	kW	Stages	Amps				FLA	LRA				FLA	LRA	
12 (10)	208-3-60	16	110	25	15.6	110	24	2.3	13.5	1.1		None	-	-	-	53.7	60	60	57	342	55.9	60	70	60	352	
												11725	12	1	33.3	58.5	60	60	57	342	61.3	70	70	60	352	
												12525	18.6	1	51.6	81.4	90	90	75	342	84.1	90	90	77	352	
												13225	24	1	66.6	100.1	110	110	92	342	102.9	110	110	95	352	
	230-3-60	16	110	25	15.6	110	24	2.3	13.4	1			None	-	-	-	53.6	60	60	57	342	55.6	60	70	50	337
													11725	16	1	38.5	64.9	70	70	60	342	67.4	70	70	62	337
													12525	24.8	1	59.7	91.4	100	100	84	342	93.9	100	100	86	337
													13225	32	1	77	113	125	125	104	342	115.5	125	125	106	337
	460-3-60	7.8	52	12	7.8	52	12	1.3	6.7	0.5			None	-	-	-	26.9	30	30	29	167	27.9	30	30	30	163
													11746	16.5	1	19.8	33.1	35	35	30	167	34.4	35	30	32	163
													12846	27.8	1	33.4	50.1	60	60	46	167	51.4	60	46	47	163
													13346	33	1	39.7	58	60	60	53	167	59.3	60	53	55	163
575-3-60	5.7	38.9	9	5.8	38.9	9	1.1	5.4	0.4			14246	41.7	2	50.2	71.1	80	80	65	167	72.4	80	65	67	163	
												None	-	-	-	20.6	25	25	22	127	21.4	25	25	23	124	
												11725	12	1	33.3	63.4	70	80	67	397	65.6	70	80	70	407	
												12525	18.6	1	51.6	81.4	90	90	75	397	84.1	90	90	77	407	
14 (12.5)	208-3-60	19.6	136	31	19.6	136	31	5.8	13.5	1.1		None	-	-	-	63.4	70	80	67	397	65.6	70	80	70	407	
												11725	12	1	33.3	63.4	70	80	67	397	65.6	70	80	70	407	
												12525	18.6	1	51.6	81.4	90	90	75	397	84.1	90	90	77	407	
												13225	24	1	66.6	100.1	110	110	92	397	102.9	110	110	95	407	
	230-3-60	19.6	136	31	19.6	136	31	5.2	13.4	1			None	-	-	-	62.7	70	80	66	393	64.7	70	80	69	398
													11725	16	1	38.5	64.9	70	80	66	393	67.4	70	80	69	398
													12525	24.8	1	59.7	91.4	100	100	84	393	93.9	100	100	86	398
													13225	32	1	77	113	125	125	104	393	115.5	125	125	106	398
	460-3-60	8.2	66.1	13	8.2	66.1	13	2.9	6.7	0.5			None	-	-	-	28.1	30	35	30	194	29.1	30	35	31	196
													11746	16.5	1	19.8	33.1	35	35	30	194	34.4	35	30	32	196
													12846	27.8	1	33.4	50.1	60	60	46	194	51.4	60	46	47	196
													13346	33	1	39.7	58	60	60	53	194	59.3	60	53	55	196
575-3-60	6.6	55.3	10	6.6	55.3	10	2.2	5.4	0.4			14246	41.7	2	50.2	71.1	80	80	65	194	72.4	80	65	67	196	
												None	-	-	-	22.5	25	25	24	162	23.3	25	25	25	164	
												11725	12	1	33.3	63.4	70	80	67	397	65.6	70	80	70	407	
												12525	18.6	1	51.6	81.4	90	90	75	397	84.1	90	90	77	407	

1. Minimum Circuit Ampacity.
2. Dual Element, Time Delay Type.
3. HACR type per NEC.
4. Non-fused Disconnect, Verify on the unit nameplate that the disconnect is properly sized for the application. Units with field installed electric heat kits may exceed the factory installed disconnect amperage rating.

ZX04-14 Hi Static Indoor Blower - With Powered Convenience Outlet

Size (Tons)	Nominal Unit Voltage	Compressor 1			Compressor 2			OD Fan Motors (each)	Supply Blower Motor	Pwr Exh Motor	Pwr Conv Outlet	Electric Heat Field Installed Kit 2EK045*				MCA ¹ (Amps)	Min Fuse ² / Breaker ³ Size (Amps)	Max Fuse ² / Breaker ³ Size (Amps)	Min Disconnect Rating ⁴		MCA ¹ w/Pwr Exh (Amps)	Min Fuse ² / Breaker ³ Size w/ Pwr Exh (Amps)	Max Fuse ² / Breaker ³ Size w/ Pwr Exh (Amps)	Min Disconnect Rating ⁴ / Pwr Exh	
		RLA	LRA	MCC	RLA	LRA	MCC					Model	kW	Stages	Amps				FLA	LRA				FLA	LRA
04 (3)	208-3-60	10.4	73	16				1.4	5.2	1.1	8.6	None	-	-	-	23.9	25	30	24	103	25	35	26	106	
												10625	4.9	1	13.6	28.9	30	30	27	103	30.3	35	35	28	106
												11125	7.9	1	21.9	39.3	40	40	36	103	40.6	45	45	37	106
												11625	12	1	33.3	53.5	60	60	49	103	54.9	60	60	50	106
	230-3-60	10.4	73	16				1.4	5.2	1	8.6	None	-	-	-	23.9	25	30	24	106	24.9	25	35	26	108
												10625	6.5	1	15.6	31.4	35	35	29	106	32.6	35	35	30	108
												11125	10.5	1	25.3	43.5	45	45	40	106	44.8	45	45	41	108
												11625	16	1	38.5	60	60	60	55	106	61.3	70	70	56	108
	460-3-60	5.8	38	9				0.8	2.6	0.5	8.6	None	-	-	-	12.9	15	15	13	55	13.4	15	15	14	56
												10646	6	1	7.2	14.9	15	15	14	55	15.6	20	14	14	56
												11146	11.5	1	13.8	23.2	25	25	21	55	23.8	25	21	22	56
												11446	14	1	16.8	26.9	30	30	25	55	27.6	30	25	25	56
575-3-60	3.8	36.5	6				0.6	2	0.4	8.6	None	-	-	-	9.1	15	15	9	50	9.5	15	15	10	51	
05 (4)	208-3-60	13.7	83.1	21				1.4	5.2	1.1	8.6	None	-	-	-	28	30	40	28	113	29.1	30	40	30	116
												10625	4.9	1	13.6	28.9	30	40	28	113	30.3	35	40	30	116
												11125	7.9	1	21.9	39.3	40	40	36	113	40.6	45	45	37	116
												11625	12	1	33.3	53.5	60	60	49	113	54.9	60	60	50	116
	230-3-60	13.7	83.1	21				1.4	5.2	1	8.6	None	-	-	-	28	30	40	28	116	29	30	40	29	118
												10625	6.5	1	15.6	31.4	35	40	29	116	32.6	35	40	30	118
												11125	10.5	1	25.3	43.5	45	45	40	116	44.8	45	45	41	118
												11625	16	1	38.5	60	60	60	55	116	61.3	70	70	56	118
	460-3-60	6.2	41	10				0.8	2.6	0.5	8.6	None	-	-	-	13.4	15	15	14	58	13.9	15	15	14	59
												10646	6	1	7.2	14.9	15	15	14	58	15.6	20	14	14	59
												11146	11.5	1	13.8	23.2	25	25	21	58	23.8	25	21	22	59
												11446	14	1	16.8	26.9	30	30	25	58	27.6	30	25	25	59
575-3-60	4.8	33	8				0.6	2	0.4	8.6	None	-	-	-	10.3	15	15	10	46	10.7	15	15	11	47	
06 (5)	208-3-60	15.6	110	24				2.3	7.5	1.1	8.6	None	-	-	-	33.6	35	45	34	168	34.7	35	50	35	170
												10625	4.9	1	13.6	33.6	35	45	34	168	34.7	35	50	35	170
												11125	7.9	1	21.9	42.1	45	45	39	168	43.5	45	50	40	170
												11625	12	1	33.3	56.4	60	60	52	168	57.8	60	60	53	170
	230-3-60	15.6	110	24				2.3	7.5	1	8.6	None	-	-	-	33.6	35	45	34	174	34.6	35	50	35	177
												10625	6.5	1	15.6	34.3	35	45	34	174	35.5	40	50	35	177
												11125	10.5	1	25.3	46.4	50	50	43	174	47.6	50	50	44	177
												11625	16	1	38.5	62.9	70	70	58	174	64.1	70	70	59	177
	460-3-60	7.8	52	12				1.3	3.4	0.5	8.6	None	-	-	-	16.7	20	20	17	85	17.2	20	20	17	86
												10646	6	1	7.2	16.7	20	20	15	85	17.2	20	15	15	86
												11146	11.5	1	13.8	24.2	25	25	22	85	24.8	25	22	23	86
												11446	14	1	16.8	27.9	30	30	26	85	28.6	30	26	26	86
575-3-60	5.8	38.9	9				1.1	2.8	0.4	8.6	None	-	-	-	12.9	15	15	13	65	13.3	15	15	14	66	
07 (6)	208-3-60	19.6	136	31				2.3	10.2	1.1	8.6	None	-	-	-	41.3	45	60	42	208	42.4	45	60	43	211
												10625	4.9	1	13.6	41.3	45	60	42	208	42.4	45	60	43	211
												11125	7.9	1	21.9	45.5	50	60	42	208	46.9	50	60	43	211
												11625	12	1	33.3	59.8	60	60	55	208	61.1	70	70	56	211
	230-3-60	19.6	136	31				2.3	10.2	1	8.6	None	-	-	-	41.3	45	60	42	214	42.3	45	60	43	217
												10625	6.5	1	15.6	41.3	45	60	42	214	42.3	45	60	43	217
												11125	10.5	1	25.3	49.8	50	60	46	214	51	60	60	47	217
												11625	16	1	38.5	66.3	70	70	61	214	67.5	70	70	62	217
	460-3-60	8.2	66.1	13				1.3	4.8	0.5	8.6	None	-	-	-	18.6	20	25	19	106	19.1	20	25	20	107
												10646	6	1	7.2	18.6	20	25	16	106	19.1	20	16	17	107
												11146	11.5	1	13.8	25.9	30	30	24	106	26.6	30	24	24	107
												11446	14	1	16.8	29.7	30	30	27	106	30.3	35	27	28	107
575-3-60	6.6	55.3	10				1.1	3.4	0.4	8.6	None	-	-	-	14.5	15	20	15	87	14.9	15	20	15	88	

ZX04-14 Hi Static Indoor Blower - With Powered Convenience Outlet (Continued)

Size (Tons)	Nominal Unit Voltage	Compressor 1			Compressor 2			OD Fan Motors (each)	Supply Blower Motor	Pwr Exh Motor	Pwr Conv Outlet	Electric Heat Field Installed Kit 2EK045*				MCA ¹ (Amps)	Min Fuse ² / Breaker ³ Size (Amps)	Max Fuse ² / Breaker ³ Size (Amps)	Min Discon-nect Rating ⁴		MCA ¹ w/Pwr Exh (Amps)	Min Fuse ² / Breaker ³ Size w/ Pwr Exh (Amps)	Max Fuse ² / Breaker ³ Size w/ Pwr Exh (Amps)	Min Discon-nect Rating ⁴ / Pwr Exh	
		RLA	LRA	MCC	RLA	LRA	MCC					Model	kW	Stages	Amps				FLA	LRA				FLA	LRA
08 (7.5)	208-3-60	13.6	83.1	21	13.6	83.1	21	2.3	10.2	1.1	8.6	None	-	-	-	49.7	50	60	53	253	51.9	60	60	56	263
												11725	12	1	33.3	59.8	60	60	55	253	62.5	70	70	58	263
												12525	18.6	1	51.6	82.6	90	90	76	253	85.4	90	90	79	263
												13225	24	1	66.6	101.4	110	110	93	253	104.1	110	110	96	263
												14225	31.8	2	88.3	128.5	150	150	118	253	131.3	150	150	121	263
	230-3-60	13.6	83.1	21	13.6	83.1	21	2.3	10.2	1	8.6	None	-	-	-	49.7	50	60	53	260	51.7	60	60	56	254
												11725	16	1	38.5	66.3	70	70	61	260	68.8	70	70	63	254
												12525	24.8	1	59.7	92.8	100	100	85	260	95.3	100	100	88	254
												13225	32	1	77	114.4	125	125	105	260	116.9	125	125	108	254
												14225	42.4	2	102	145.6	150	150	134	260	148.1	150	150	136	254
	460-3-60	6.1	41	10	6.1	41	10	1.3	4.8	0.5	8.6	None	-	-	-	23.3	25	25	25	130	24.3	25	25	26	127
												11746	16.5	1	19.8	33.4	35	35	31	130	34.7	35	31	32	127
12846												27.8	1	33.4	50.4	60	60	46	130	51.7	60	46	48	127	
13346												33	1	39.7	58.3	60	60	54	130	59.6	60	54	55	127	
14246												41.7	2	50.2	71.4	80	80	66	130	72.7	80	66	67	127	
575-3-60	4.2	33	7	4.2	33	7	1.1	3.4	0.4	8.6	None	-	-	-	16.8	20	20	18	105	17.6	20	20	19	102	
09 (8.5)	208-3-60	14.5	98	23	14.5	98	23	2.3	10.2	1.1	8.6	None	-	-	-	51.7	60	60	55	283	53.9	60	60	58	293
												11725	12	1	33.3	59.8	60	60	55	283	62.5	70	70	58	293
												12525	18.6	1	51.6	82.6	90	90	76	283	85.4	90	90	79	293
												13225	24	1	66.6	101.4	110	110	93	283	104.1	110	110	96	293
												14225	31.8	2	88.3	128.5	150	150	118	283	131.3	150	150	121	293
	230-3-60	14.5	98	23	14.5	98	23	2.3	10.2	1	8.6	None	-	-	-	51.7	60	60	55	289	53.7	60	60	58	284
												11725	16	1	38.5	66.3	70	70	61	289	68.8	70	70	63	284
												12525	24.8	1	59.7	92.8	100	100	85	289	95.3	100	100	88	284
												13225	32	1	77	114.4	125	125	105	289	116.9	125	125	108	284
												14225	42.4	2	102	145.6	150	150	134	289	148.1	150	150	136	284
	460-3-60	6.3	55	10	6.3	55	10	1.3	4.8	0.5	8.6	None	-	-	-	23.8	25	30	26	158	24.8	25	30	27	155
												11746	16.5	1	19.8	33.4	35	35	31	158	34.7	35	31	32	155
12846												27.8	1	33.4	50.4	60	60	46	158	51.7	60	46	48	155	
13346												33	1	39.7	58.3	60	60	54	158	59.6	60	54	55	155	
14246												41.7	2	50.2	71.4	80	80	66	158	72.7	80	66	67	155	
575-3-60	6	41	9	6	41	9	1.1	3.4	0.4	8.6	None	-	-	-	20.8	25	25	22	121	21.6	25	25	23	118	
12 (10)	208-3-60	16	110	25	15.6	110	24	2.3	14.9	1.1	8.6	None	-	-	-	59.4	60	70	64	325	61.6	70	70	66	335
												11725	12	1	33.3	65.6	70	70	64	325	68.4	70	70	66	335
												12525	18.6	1	51.6	88.5	90	90	81	325	91.3	100	100	84	335
												13225	24	1	66.6	107.3	110	110	99	325	110	125	125	101	335
												14225	31.8	2	88.3	134.4	150	150	124	325	137.1	150	150	126	335
	230-3-60	16	110	25	15.6	110	24	2.3	15	1	8.6	None	-	-	-	59.5	60	70	64	327	61.5	70	70	66	322
												11725	16	1	38.5	72.3	80	80	66	327	74.8	80	80	69	322
												12525	24.8	1	59.7	98.8	100	100	91	327	101.3	110	110	93	322
												13225	32	1	77	120.4	125	125	111	327	122.9	125	125	113	322
												14225	42.4	2	102	151.6	175	175	139	327	154.1	175	175	142	322
	460-3-60	7.8	52	12	7.8	52	12	1.3	7.5	0.5	8.6	None	-	-	-	29.9	30	35	32	162	30.9	35	35	33	158
												11746	16.5	1	19.8	36.8	40	40	34	162	38.1	40	34	35	158
12846												27.8	1	33.4	53.8	60	60	50	162	55.1	60	50	51	158	
13346												33	1	39.7	61.7	70	70	57	162	62.9	70	57	58	158	
14246												41.7	2	50.2	74.8	80	80	69	162	76.1	80	69	70	158	
575-3-60	5.7	38.9	9	5.8	38.9	9	1.1	5.6	0.4	8.6	None	-	-	-	22.5	25	25	24	124	23.3	25	25	25	121	

ZX04-14 Hi Static Indoor Blower - With Powered Convenience Outlet (Continued)

Size (Tons)	Nominal Unit Voltage	Compressor 1			Compressor 2			OD Fan Motors (each)	Supply Blower Motor	Pwr Exh Motor	Pwr Conv Outlet	Electric Heat Field Installed Kit 2EK045*			MCA ¹ (Amps)	Min Fuse ² /Breaker ³ Size (Amps)	Max Fuse ² /Breaker ³ Size (Amps)	Min Disconnect Rating ⁴		MCA ¹ w/Pwr Exh (Amps)	Min Fuse ² /Breaker ³ Size w/ Pwr Exh (Amps)	Max Fuse ² /Breaker ³ Size w/ Pwr Exh (Amps)	Min Disconnect Rating ⁴ /Pwr Exh													
		RLA	LRA	MCC	RLA	LRA	MCC					Model	kW	Stages				Amps	FLA				LRA	FLA	LRA											
14 (12.5)	208-3-60	19.6	136	31	19.6	136	31	5.8	13.5	1.1	8.6	None	-	-	-	67.7	70	80	72	401	69.9	70	80	75	411											
												11725	12	1	33.3	67.7	70	80	72	401	69.9	70	80	75	411											
												12525	18.6	1	51.6	86.8	90	90	80	401	89.5	90	90	82	411											
												13225	24	1	66.6	105.5	110	110	97	401	108.3	110	110	100	411											
	230-3-60	19.6	136	31	19.6	136	31	5.2	13.4	1	8.6	None	-	-	-	67	70	80	71	397	69	70	80	74	402											
												11725	16	1	38.5	70.3	80	80	71	397	72.8	80	80	74	402											
												12525	24.8	1	59.7	96.8	100	100	89	397	99.3	100	100	91	402											
												13225	32	1	77	118.4	125	125	109	397	120.9	125	125	111	402											
	460-3-60	8.2	66.1	13	8.2	66.1	13	2.9	6.7	0.5	8.6	None	-	-	-	30.3	35	35	32	196	31.3	35	35	34	199											
												11746	16.5	1	19.8	35.8	40	40	33	196	37.1	40	33	34	199											
												12846	27.8	1	33.4	52.8	60	60	49	196	54.1	60	49	50	199											
												13346	33	1	39.7	60.7	70	70	56	196	61.9	70	56	57	199											
	575-3-60	6.6	55.3	10	6.6	55.3	10	2.2	5.4	0.4	8.6	None	-	-	-	24.2	25	30	26	164	25	25	30	27	165											
												With VFD																								
												208-3-60	13.6	83.1	21	13.6	83.1	21	2.3	9.9	1.1	8.6	None	-	-	-	49.4	50	60	53	262	51.6	60	60	55	272
																							11725	12	1	33.3	59.4	60	60	55	262	62.1	70	70	57	272
12525	18.6	1	51.6	82.3	90	90	76	262	85	90	90												78	272												
13225	24	1	66.6	101	110	110	93	262	103.8	110	110												95	272												
230-3-60	13.6	83.1	21	13.6	83.1	21	2.3	9.4	1	8.6	None	-	-	-	48.9	50	60	52	271	50.9	60	60	55	266												
											11725	16	1	38.5	65.3	70	70	60	271	67.8	70	70	62	266												
											12525	24.8	1	59.7	91.8	100	100	84	271	94.3	100	100	87	266												
											13225	32	1	77	113.4	125	125	104	271	115.9	125	125	107	266												
460-3-60	6.1	41	10	6.1	41	10	1.3	4.7	0.5	8.6	None	-	-	-	23.2	25	25	25	136	24.2	25	25	26	132												
											11746	16.5	1	19.8	33.3	35	35	31	136	34.6	35	31	32	132												
											12846	27.8	1	33.4	50.3	60	60	46	136	51.6	60	46	47	132												
											13346	33	1	39.7	58.2	60	60	54	136	59.4	60	54	55	132												
575-3-60	4.2	33	7	4.2	33	7	1.1	4.3	0.4	8.6	None	-	-	-	17.7	20	20	19	117	18.5	20	20	20	114												
											With VFD																									
											208-3-60	14.5	98	23	14.5	98	23	2.3	9.9	1.1	8.6	None	-	-	-	51.4	60	60	55	292	53.6	60	60	58	302	
																						11725	12	1	33.3	59.4	60	60	55	292	62.1	70	70	58	302	
12525	18.6	1	51.6	82.3	90	90	76	292	85	90												90	78	302												
13225	24	1	66.6	101	110	110	93	292	103.8	110												110	95	302												
230-3-60	14.5	98	23	14.5	98	23	2.3	9.4	1	8.6	None	-	-	-	50.9	60	60	54	301	52.9	60	60	57	296												
											11725	16	1	38.5	65.3	70	70	60	301	67.8	70	70	62	296												
											12525	24.8	1	59.7	91.8	100	100	84	301	94.3	100	100	87	296												
											13225	32	1	77	113.4	125	125	104	301	115.9	125	125	107	296												
460-3-60	6.3	55	10	6.3	55	10	1.3	4.7	0.5	8.6	None	-	-	-	23.7	25	25	25	164	24.7	25	25	27	160												
											11746	16.5	1	19.8	33.3	35	35	31	164	34.6	35	31	32	160												
											12846	27.8	1	33.4	50.3	60	60	46	164	51.6	60	46	47	160												
											13346	33	1	39.7	58.2	60	60	54	164	59.4	60	54	55	160												
575-3-60	6	41	9	6	41	9	1.1	4.3	0.4	8.6	None	-	-	-	21.7	25	25	23	133	22.5	25	25	24	130												

ZX04-14 Hi Static Indoor Blower - With Powered Convenience Outlet (Continued)

Size (Tons)	Nominal Unit Voltage	Compressor 1			Compressor 2			OD Fan Motors (each)	Supply Blower Motor	Pwr Exh Motor	Pwr Conv Outlet	Electric Heat Field Installed Kit 2EK045*				MCA ¹ (Amps)	Min Fuse ² / Breaker ³ Size (Amps)	Max Fuse ² / Breaker ³ Size (Amps)	Min Disconnect Rating ⁴		MCA ¹ w/Pwr Exh (Amps)	Min Fuse ² / Breaker ³ Size w/ Pwr Exh (Amps)	Max Fuse ² / Breaker ³ Size w/ Pwr Exh (Amps)	Min Disconnect Rating ⁴ / Pwr Exh	
		RLA	LRA	MCC	RLA	LRA	MCC					Model	kW	Stages	Amps				FLA	LRA				FLA	LRA
12 (10)	208-3-60	16	110	25	15.6	110	24	2.3	13.5	1.1	8.6	None	-	-	-	58	60	70	62	346	60.2	70	70	65	356
												11725	12	1	33.3	63.9	70	70	62	346	66.6	70	70	65	356
												12525	18.6	1	51.6	86.8	90	90	80	346	89.5	90	90	82	356
												13225	24	1	66.6	105.5	110	110	97	346	108.3	110	110	100	356
	230-3-60	16	110	25	15.6	110	24	2.3	13.4	1	8.6	None	-	-	-	57.9	60	70	62	346	59.9	60	70	64	341
												11725	16	1	38.5	70.3	80	80	65	346	72.8	80	80	67	341
												12525	24.8	1	59.7	96.8	100	100	89	346	99.3	100	100	91	341
												13225	32	1	77	118.4	125	125	109	346	120.9	125	125	111	341
	460-3-60	7.8	52	12	7.8	52	12	1.3	6.7	0.5	8.6	None	-	-	-	29.1	30	35	31	169	30.1	35	35	32	165
												11746	16.5	1	19.8	35.8	40	40	33	169	37.1	40	33	34	165
												12846	27.8	1	33.4	52.8	60	60	49	169	54.1	60	49	50	165
												13346	33	1	39.7	60.7	70	70	56	169	61.9	70	56	57	165
575-3-60	5.7	38.9	9	5.8	38.9	9	1.1	5.4	0.4	8.6	None	-	-	-	22.3	25	25	24	129	23.1	25	25	25	126	
											None	-	-	-	67.7	70	80	72	401	69.9	70	80	75	411	
											11725	12	1	33.3	67.7	70	80	72	401	69.9	70	80	75	411	
											12525	18.6	1	51.6	86.8	90	90	80	401	89.5	90	90	82	411	
14 (12.5)	208-3-60	19.6	136	31	19.6	136	31	5.8	13.5	1.1	8.6	None	-	-	-	67.7	70	80	72	401	69.9	70	80	75	411
												11725	12	1	33.3	67.7	70	80	72	401	69.9	70	80	75	411
												12525	18.6	1	51.6	86.8	90	90	80	401	89.5	90	90	82	411
												13225	24	1	66.6	105.5	110	110	97	401	108.3	110	110	100	411
	230-3-60	19.6	136	31	19.6	136	31	5.2	13.4	1	8.6	None	-	-	-	67	70	80	71	397	69	70	80	74	402
												11725	16	1	38.5	70.3	80	80	71	397	72.8	80	80	74	402
												12525	24.8	1	59.7	96.8	100	100	89	397	99.3	100	100	91	402
												13225	32	1	77	118.4	125	125	109	397	120.9	125	125	111	402
	460-3-60	8.2	66.1	13	8.2	66.1	13	2.9	6.7	0.5	8.6	None	-	-	-	30.3	35	35	32	196	31.3	35	35	34	199
												11746	16.5	1	19.8	35.8	40	40	33	196	37.1	40	33	34	199
												12846	27.8	1	33.4	52.8	60	60	49	196	54.1	60	49	50	199
												13346	33	1	39.7	60.7	70	70	56	196	61.9	70	56	57	199
575-3-60	6.6	55.3	10	6.6	55.3	10	2.2	5.4	0.4	8.6	None	-	-	-	24.2	25	30	26	164	25	25	30	27	165	
											None	-	-	-	67.7	70	80	72	401	69.9	70	80	75	411	
											11725	12	1	33.3	67.7	70	80	72	401	69.9	70	80	75	411	
											12525	18.6	1	51.6	86.8	90	90	80	401	89.5	90	90	82	411	

1. Minimum Circuit Ampacity.
2. Dual Element, Time Delay Type.
3. HACR type per NEC.
4. Non-fused Disconnect, Verify on the unit nameplate that the disconnect is properly sized for the application. Units with field installed electric heat kits may exceed the factory installed disconnect amperage rating.

ZYE04-12 Standard Static Indoor Blower - Without Powered Convenience Outlet

Size (Tons)	Nominal Unit Voltage	Compressor 1			Compressor 2			OD Fan Motors (each)	Supply Blower Motor	Pwr Exh Motor	Pwr Conv Outlet	Electric Heat Field Installed Kit 2EK045*				MCA ¹ (Amps)	Min Fuse ² / Breaker ³ Size (Amps)	Max Fuse ² / Breaker ³ Size (Amps)	Min Discon- nect Rating ⁴		MCA ¹ w/Pwr Exh (Amps)	Min Fuse ² / Breaker ³ Size w/ Pwr Exh (Amps)		Max Fuse ² / Breaker ³ Size w/ Pwr Exh (Amps)		Min Discon- nect Rating ⁴ / Pwr Exh	
		RLA	LRA	MCC	RLA	LRA	MCC					Model	kW	Stages	Amps				FLA	LRA		FLA	LRA				
						None	-					-	-	None	-				-	-						None	-
04 (3)	208-1-60	16.7	79	26				1.4	6.6	1.5		None	-	-	-	28.9	30	45	28	84	30.4	35	45	30	88		
												10625	4.9	1	23.6	37.8	40	45	35	84	39.6	40	45	36	88		
												11125	7.9	1	38	55.8	60	60	51	84	57.6	60	60	53	88		
	230-1-60	16.7	79	26				1.4	6	1.3			None	-	-	-	28.3	30	40	28	84	29.6	30	45	29	87	
													10625	6.5	1	27.1	41.4	45	45	38	84	43	45	45	40	87	
													11125	10.5	1	43.8	62.3	70	70	57	84	63.9	70	70	59	87	
	208-3-60	10.4	73	16				1.4	6.6	1.1			None	-	-	-	21	25	30	21	78	22.1	25	30	22	81	
													10625	4.9	1	13.6	25.3	30	30	23	78	26.6	30	30	24	81	
													11125	7.9	1	21.9	35.6	40	40	33	78	37	40	40	34	81	
	230-3-60	10.4	73	16				1.4	6	1			None	-	-	-	20.4	25	30	20	78	21.4	25	30	22	81	
													10625	6.5	1	15.6	27	30	30	25	78	28.3	30	30	26	81	
													11125	10.5	1	25.3	39.1	40	40	36	78	40.4	45	45	37	81	
	460-3-60	5.8	38	9				0.8	3.2	0.5			None	-	-	-	11.3	15	15	11	42	11.8	15	15	12	43	
													10646	6	1	7.2	13	15	15	12	42	13.6	15	12	13	43	
													11146	11.5	1	13.8	21.3	25	25	20	42	21.9	25	20	20	43	
11446	14	1	16.8	25	25	25	23	42	25.6	30	23	24	43														
	05 (4)	208-1-60	21.8	117	34				1.4	8.4	1.5		None	-	-	-	37.1	40	50	36	122	38.6	40	60	38	126	
													10625	4.9	1	23.6	40	40	50	37	122	41.9	45	60	39	126	
11125													7.9	1	38	58	60	60	53	122	59.9	60	60	55	126		
230-1-60		21.8	117	34				1.4	7.6	1.3			None	-	-	-	36.3	40	50	35	122	37.6	40	50	37	125	
													10625	6.5	1	27.1	43.4	45	50	40	122	45	45	50	41	125	
													11125	10.5	1	43.8	64.3	70	70	59	122	65.9	70	70	61	125	
208-3-60		13.7	83.1	21				1.4	8.4	1.1			None	-	-	-	26.9	30	40	27	88	28	30	40	28	91	
													10625	4.9	1	13.6	27.5	30	40	27	88	28.9	30	40	28	91	
													11125	7.9	1	21.9	37.9	40	40	35	88	39.3	40	40	36	91	
230-3-60		13.7	83.1	21				1.4	7.6	1			None	-	-	-	26.1	30	35	26	88	27.1	30	40	27	91	
													10625	6.5	1	15.6	29	30	35	27	88	30.3	35	40	28	91	
													11125	10.5	1	25.3	41.1	45	45	38	88	42.4	45	45	39	91	
460-3-60		6.2	41	10				0.8	4	0.5			None	-	-	-	12.6	15	15	13	45	13.1	15	15	13	46	
													10646	6	1	7.2	14	15	15	13	45	14.6	15	13	13	46	
													11146	11.5	1	13.8	22.3	25	25	20	45	22.9	25	20	21	46	
11446	14	1	16.8	26	30	30	24	45	26.6	30	24	24	46														
	06 (5)	208-1-60	25	134	39				2.3	8.4	1.5		None	-	-	-	42	45	60	41	141	43.5	45	60	43	144	
													10625	4.9	1	23.6	42	45	60	41	141	43.5	45	60	43	144	
11125													7.9	1	38	58	60	60	53	141	59.9	60	60	55	144		
230-1-60		25	134	39				2.3	7.6	1.3			None	-	-	-	41.2	45	60	40	141	42.5	45	60	42	144	
													10625	6.5	1	27.1	43.4	45	60	40	141	45	45	60	42	144	
													11125	10.5	1	43.8	64.3	70	70	59	141	65.9	70	70	61	144	
208-3-60		15.9	110	25				2.3	8.4	1.1			None	-	-	-	30.6	35	45	31	117	31.7	35	45	32	119	
													10625	4.9	1	13.6	30.6	35	45	31	117	31.7	35	45	32	119	
													11125	7.9	1	21.9	37.9	40	45	35	117	39.3	40	45	36	119	
230-3-60		15.9	110	25				2.3	7.6	1			None	-	-	-	29.8	30	45	30	117	30.8	35	45	31	119	
													10625	6.5	1	15.6	29.8	30	45	30	117	30.8	35	45	31	119	
													11125	10.5	1	25.3	41.1	45	45	38	117	42.4	45	45	39	119	
460-3-60		7.1	52	11				1.3	4	0.5			None	-	-	-	14.2	15	20	14	57	14.7	15	20	15	58	
													11146	6	1	7.2	14.2	15	20	13	57	14.7	15	13	13	58	
													11146	11.5	1	13.8	22.3	25	25	20	57	22.9	25	20	21	58	
11446	14	1	16.8	26	30	30	24	57	26.6	30	24	24	58														
	07 (6)	208-3-60	19	123	30				2.3	5.2	1.1		None	-	-	-	33.6	35	50	33	165	35.8	40	50	36	175	
													11125	7.9	1	38	58	60	60	53	168	35.6	40	50	35	163	
460-3-60		9.7	62	15				1.3	2.6	0.5			None	-	-	-	17.3	20	25	17	86	18.3	20	25	18	83	
													11125	7.9	1	38	58	60	60	53	168	35.6	40	50	35	163	
575-3-60	7.4	50	12				1.1	2	0.4			None	-	-	-	13.5	15	20	13	69	14.3	15	20	14	67		

ZYE04-12 Standard Static Indoor Blower - Without Powered Convenience Outlet (Continued)

Size (Tons)	Nominal Unit Voltage	Compressor 1			Compressor 2			OD Fan Motors (each)	Supply Blower Motor	Pwr Exh Motor	Pwr Conv Outlet	Electric Heat Field Installed Kit 2EK045*				MCA ¹ (Amps)	Min Fuse ² / Breaker ³ Size (Amps)	Max Fuse ² / Breaker ³ Size (Amps)	Min Discon-nect Rating ⁴		MCA ¹ w/Pwr Exh (Amps)	Min Fuse ² / Breaker ³ Size w/ Pwr Exh (Amps)	Max Fuse ² / Breaker ³ Size w/ Pwr Exh (Amps)	Min Discon-nect Rating ⁴ / Pwr Exh	
		RLA	LRA	MCC	RLA	LRA	MCC					Model	kW	Stages	Amps				FLA	LRA				FLA	LRA
08 (7.5)	208-3-60	13.6	83.1	21	13.6	83.1	21	2.3	5.2	1.1		None	-	-	-	40.4	45	50	43	208	42.6	45	50	45	218
												11725	12	1	33.3	48.1	50	50	44	208	50.9	60	60	47	218
												12525	18.6	1	51.6	71	80	80	65	208	73.8	80	80	68	218
												13225	24	1	66.6	89.8	90	90	83	208	92.5	100	100	85	218
												14225	31.8	2	88.3	116.9	125	125	108	208	119.6	125	125	110	218
	230-3-60	13.6	83.1	21	13.6	83.1	21	2.3	5.2	1		None	-	-	-	40.4	45	50	43	211	42.4	45	50	45	206
												11725	16	1	38.5	54.6	60	60	50	211	57.1	60	60	53	206
												12525	24.8	1	59.7	81.1	90	90	75	211	83.6	90	90	77	206
												13225	32	1	77	102.8	110	110	95	211	105.3	110	110	97	206
												14225	42.4	2	102	134	150	150	123	211	136.5	150	150	126	206
	460-3-60	6.1	41	10	6.1	41	10	1.3	2.6	0.5		None	-	-	-	18.9	20	25	20	106	19.9	20	25	21	103
												11746	16.5	1	19.8	28	30	30	26	106	29.3	30	26	27	103
												12846	27.8	1	33.4	45	45	45	41	106	46.3	50	41	43	103
												13346	33	1	39.7	52.9	60	60	49	106	54.1	60	49	50	103
												14246	41.7	2	50.2	66	70	70	61	106	67.3	70	61	62	103
575-3-60	4.2	33	7	4.2	33	7	1.1	2	0.4		None	-	-	-	13.7	15	15	14	85	14.5	15	15	15	83	
09 (8.5)	208-3-60	13.7	83.1	21	13.7	83.1	21	2.3	5.2	1.1		None	-	-	-	40.6	45	50	43	208	42.8	45	50	45	218
												11725	12	1	33.3	48.1	50	50	44	208	50.9	60	60	47	218
												12525	18.6	1	51.6	71	80	80	65	208	73.8	80	80	68	218
												13225	24	1	66.6	89.8	90	90	83	208	92.5	100	100	85	218
												14225	31.8	2	88.3	116.9	125	125	108	208	119.6	125	125	110	218
	230-3-60	13.7	83.1	21	13.7	83.1	21	2.3	5.2	1		None	-	-	-	40.6	45	50	43	211	42.6	45	50	45	206
												11725	16	1	38.5	54.6	60	60	50	211	57.1	60	60	53	206
												12525	24.8	1	59.7	81.1	90	90	75	211	83.6	90	90	77	206
												13225	32	1	77	102.8	110	110	95	211	105.3	110	110	97	206
												14225	42.4	2	102	134	150	150	123	211	136.5	150	150	126	206
	460-3-60	6.2	41	10	6.2	41	10	1.3	2.6	0.5		None	-	-	-	19.2	20	25	20	106	20.2	25	25	21	103
												11746	16.5	1	19.8	28	30	30	26	106	29.3	30	26	27	103
												12846	27.8	1	33.4	45	45	45	41	106	46.3	50	41	43	103
												13346	33	1	39.7	52.9	60	60	49	106	54.1	60	49	50	103
												14246	41.7	2	50.2	66	70	70	61	106	67.3	70	61	62	103
575-3-60	4.8	33	8	4.8	33	8	1.1	2	0.4		None	-	-	-	15	20	20	16	85	15.8	20	20	17	83	
12 (10)	208-3-60	16	110	25	16	110	25	5.8	5.2	1.1		None	-	-	-	47	50	60	49	264	49.2	50	60	52	274
												11725	12	1	33.3	48.1	50	50	49	264	50.9	60	60	52	274
												12525	18.6	1	51.6	71	80	80	65	264	73.8	80	80	68	274
												13225	24	1	66.6	89.8	90	90	83	264	92.5	100	100	85	274
												14225	31.8	2	88.3	116.9	125	125	108	264	119.6	125	125	110	274
	230-3-60	16	110	25	16	110	25	5.2	5.2	1		None	-	-	-	46.4	50	60	49	264	48.4	50	60	51	269
												11725	16	1	38.5	54.6	60	60	50	264	57.1	60	60	53	269
												12525	24.8	1	59.7	81.1	90	90	75	264	83.6	90	90	77	269
												13225	32	1	77	102.8	110	110	95	264	105.3	110	110	97	269
												14225	42.4	2	102	134	150	150	123	264	136.5	150	150	126	269
	460-3-60	7.8	52	12	7.8	52	12	2.9	2.6	0.5		None	-	-	-	23.1	25	30	24	128	24.1	25	30	25	130
												11746	16.5	1	19.8	28	30	30	26	128	29.3	30	26	27	130
												12846	27.8	1	33.4	45	45	45	41	128	46.3	50	41	43	130
												13346	33	1	39.7	52.9	60	60	49	128	54.1	60	49	50	130
												14246	41.7	2	50.2	66	70	70	61	128	67.3	70	61	62	130
575-3-60	5.7	38.9	9	5.7	38.9	9	2.2	2	0.4		None	-	-	-	17	20	20	18	99	17.8	20	20	19	101	

With VFD

ZYE04-12 Standard Static Indoor Blower - Without Powered Convenience Outlet (Continued)

Size (Tons)	Nominal Unit Voltage	Compressor 1			Compressor 2			OD Fan Motors (each)	Supply Blower Motor	Pwr Exh Motor	Pwr Conv Outlet	Electric Heat Field Installed Kit 2EK045*			MCA ¹ (Amps)	Min Fuse ² / Breaker ³ Size (Amps)	Max Fuse ² / Breaker ³ Size (Amps)	Min Disconnect Rating ⁴		MCA ¹ w/Pwr Exh (Amps)	Min Fuse ² / Breaker ³ Size w/ Pwr Exh (Amps)	Max Fuse ² / Breaker ³ Size w/ Pwr Exh (Amps)	Min Disconnect Rating ⁴ / Pwr Exh		
		RLA	LRA	MCC	RLA	LRA	MCC					Model	kW	Stages				Amps	FLA				LRA	FLA	LRA
08 (7.5)	208-3-60	13.6	83.1	21	13.6	83.1	21	2.3	7	1.1		None	-	-	-	42.2	45	50	45	246	44.4	45	50	47	256
												11725	12	1	33.3	50.4	60	60	46	246	53.1	60	60	49	256
												12525	18.6	1	51.6	73.3	80	80	67	246	76	80	80	70	256
												13225	24	1	66.6	92	100	100	85	246	94.8	100	100	87	256
												14225	31.8	2	88.3	119.1	125	125	110	246	121.9	125	125	112	256
	230-3-60	13.6	83.1	21	13.6	83.1	21	2.3	7.2	1		None	-	-	-	42.4	45	50	45	248	44.4	45	50	47	243
												11725	16	1	38.5	57.1	60	60	53	248	59.6	60	60	55	243
												12525	24.8	1	59.7	83.6	90	90	77	248	86.1	90	90	79	243
												13225	32	1	77	105.3	110	110	97	248	107.8	110	110	99	243
												14225	42.4	2	102	136.5	150	150	126	248	139	150	150	128	243
	460-3-60	6.1	41	10	6.1	41	10	1.3	3.6	0.5		None	-	-	-	19.9	20	25	21	125	20.9	25	25	22	121
												11746	16.5	1	19.8	29.3	30	30	27	125	30.5	35	27	28	121
												12846	27.8	1	33.4	46.3	50	50	43	125	47.5	50	43	44	121
												13346	33	1	39.7	54.1	60	60	50	125	55.4	60	50	51	121
												14246	41.7	2	50.2	67.3	70	70	62	125	68.5	70	62	63	121
575-3-60	4.2	33	7	4.2	33	7	1.1	2.5	0.4		None	-	-	-	14.2	15	15	15	93	15	15	15	16	90	
09 (8.5)	208-3-60	13.7	83.1	21	13.7	83.1	21	2.3	7	1.1		None	-	-	-	42.4	45	50	45	246	44.6	45	50	47	256
												11725	12	1	33.3	50.4	60	60	46	246	53.1	60	60	49	256
												12525	18.6	1	51.6	73.3	80	80	67	246	76	80	80	70	256
												13225	24	1	66.6	92	100	100	85	246	94.8	100	100	87	256
												14225	31.8	2	88.3	119.1	125	125	110	246	121.9	125	125	112	256
	230-3-60	13.7	83.1	21	13.7	83.1	21	2.3	7.2	1		None	-	-	-	42.6	45	50	45	248	44.6	45	50	47	243
												11725	16	1	38.5	57.1	60	60	53	248	59.6	60	60	55	243
												12525	24.8	1	59.7	83.6	90	90	77	248	86.1	90	90	79	243
												13225	32	1	77	105.3	110	110	97	248	107.8	110	110	99	243
												14225	42.4	2	102	136.5	150	150	126	248	139	150	150	128	243
	460-3-60	6.2	41	10	6.2	41	10	1.3	3.6	0.5		None	-	-	-	20.2	25	25	21	125	21.2	25	25	23	121
												11746	16.5	1	19.8	29.3	30	30	27	125	30.5	35	27	28	121
												12846	27.8	1	33.4	46.3	50	50	43	125	47.5	50	43	44	121
												13346	33	1	39.7	54.1	60	60	50	125	55.4	60	50	51	121
												14246	41.7	2	50.2	67.3	70	70	62	125	68.5	70	62	63	121
575-3-60	4.8	33	8	4.8	33	8	1.1	2.5	0.4		None	-	-	-	15.5	20	20	16	93	16.3	20	20	17	90	
12 (10)	208-3-60	16	110	25	16	110	25	5.8	7	1.1		None	-	-	-	48.8	50	60	52	302	51	60	60	54	312
												11725	12	1	33.3	50.4	60	60	52	302	53.1	60	60	54	312
												12525	18.6	1	51.6	73.3	80	80	67	302	76	80	80	70	312
												13225	24	1	66.6	92	100	100	85	302	94.8	100	100	87	312
												14225	31.8	2	88.3	119.1	125	125	110	302	121.9	125	125	112	312
	230-3-60	16	110	25	16	110	25	5.2	7.2	1		None	-	-	-	48.4	50	60	51	301	50.4	60	60	53	305
												11725	16	1	38.5	57.1	60	60	53	301	59.6	60	60	55	305
												12525	24.8	1	59.7	83.6	90	90	77	301	86.1	90	90	79	305
												13225	32	1	77	105.3	110	110	97	301	107.8	110	110	99	305
												14225	42.4	2	102	136.5	150	150	126	301	139	150	150	128	305
	460-3-60	7.8	52	12	7.8	52	12	2.9	3.6	0.5		None	-	-	-	24.1	25	30	25	146	25.1	30	30	27	148
												11746	16.5	1	19.8	29.3	30	30	27	146	30.5	35	27	28	148
												12846	27.8	1	33.4	46.3	50	50	43	146	47.5	50	43	44	148
												13346	33	1	39.7	54.1	60	60	50	146	55.4	60	50	51	148
												14246	41.7	2	50.2	67.3	70	70	62	146	68.5	70	62	63	148
575-3-60	5.7	38.9	9	5.7	38.9	9	2.2	2.5	0.4		None	-	-	-	17.5	20	20	19	107	18.3	20	20	19	109	

1. Minimum Circuit Ampacity.
2. Dual Element, Time Delay Type.
3. HACR type per NEC.
4. Non-fused Disconnect, Verify on the unit nameplate that the disconnect is properly sized for the application. Units with field installed electric heat kits may exceed the factory installed disconnect amperage rating.

ZYE04-12 Standard Static Indoor Blower - With Powered Convenience Outlet

Size (Tons)	Nominal Unit Voltage	Compressor 1			Compressor 2			OD Fan Motors (each)	Supply Blower Motor	Pwr Exh Motor	Pwr Conv Outlet	Electric Heat Field Installed Kit 2EK045*			MCA ¹ (Amps)	Min Fuse ² / Breaker ³ Size (Amps)	Max Fuse ² / Breaker ³ Size (Amps)	Min Discon- nect Rating ⁴		MCA ¹ w/Pwr Exh (Amps)	Min Fuse ² / Breaker ³ Size w/ Pwr Exh (Amps)	Max Fuse ² / Breaker ³ Size w/ Pwr Exh (Amps)	Min Discon- nect Rating ⁴ / Pwr Exh			
		RLA	LRA	MCC	RLA	LRA	MCC					Model	kW	Stages				Amps	FLA				LRA	FLA	LRA	
04 (3)	208-1-60	16.7	79	26				1.4	6.6	1.5	8.6	None	-	-	-	33.2	35	45	33	89	34.7	35	50	35	92	
												10625	4.9	1	23.6	43.1	45	45	40	89	45	45	50	41	92	
												11125	7.9	1	38	61.1	70	70	56	89	63	70	70	58	92	
	230-1-60	16.7	79	26				1.4	6	1.3	8.6	None	-	-	-	32.6	35	45	33	89	33.9	35	50	34	92	
												10625	6.5	1	27.1	46.8	50	50	43	89	48.4	50	50	45	92	
												11125	10.5	1	43.8	67.6	70	70	62	89	69.3	70	70	64	92	
	208-3-60	10.4	73	16				1.4	6.6	1.1	8.6	None	-	-	-	25.3	30	35	26	83	26.4	30	35	27	85	
												10625	4.9	1	13.6	30.6	35	35	28	83	32	35	35	29	85	
												11125	7.9	1	21.9	41	45	45	38	83	42.4	45	45	39	85	
	230-3-60	10.4	73	16				1.4	6	1	8.6	None	-	-	-	24.7	25	35	25	83	25.7	30	35	27	85	
												10625	6.5	1	15.6	32.4	35	35	30	83	33.6	35	35	31	85	
												11125	10.5	1	25.3	44.5	45	45	41	83	45.8	50	50	42	85	
	460-3-60	5.8	38	9				0.8	3.2	0.5	8.6	None	-	-	-	13.5	15	15	14	44	14	15	15	14	45	
												10646	6	1	7.2	15.7	20	20	14	44	16.3	20	14	15	45	
												11146	11.5	1	13.8	23.9	25	25	22	44	24.6	25	22	23	45	
	05 (4)	208-1-60	21.8	117	34				1.4	8.4	1.5	8.6	None	-	-	-	41.4	45	60	41	127	42.9	45	60	43	130
													10625	4.9	1	23.6	45.4	50	60	42	127	47.3	50	60	43	130
													11125	7.9	1	38	63.4	70	70	58	127	65.3	70	70	60	130
230-1-60		21.8	117	34				1.4	7.6	1.3	8.6	None	-	-	-	40.6	45	60	40	127	41.9	45	60	42	130	
												10625	6.5	1	27.1	48.8	50	60	45	127	50.4	60	60	46	130	
												11125	10.5	1	43.8	69.6	70	70	64	127	71.3	80	80	66	130	
208-3-60		13.7	83.1	21				1.4	8.4	1.1	8.6	None	-	-	-	31.2	35	40	32	93	32.3	35	45	33	95	
												10625	4.9	1	13.6	32.9	35	40	32	93	34.3	35	45	33	95	
												11125	7.9	1	21.9	43.3	45	45	40	93	44.6	45	45	41	95	
230-3-60		13.7	83.1	21				1.4	7.6	1	8.6	None	-	-	-	30.4	35	40	31	93	31.4	35	45	32	95	
												10625	6.5	1	15.6	34.4	35	40	32	93	35.6	40	45	33	95	
												11125	10.5	1	25.3	46.5	50	50	43	93	47.8	50	50	44	95	
460-3-60		6.2	41	10				0.8	4	0.5	8.6	None	-	-	-	14.8	15	20	15	47	15.3	20	20	16	48	
												10646	6	1	7.2	16.7	20	20	15	47	17.3	20	15	16	48	
												11146	11.5	1	13.8	24.9	25	25	23	47	25.6	30	23	24	48	
06 (5)		208-1-60	25	134	39				2.3	8.4	1.5	8.6	None	-	-	-	46.3	50	70	46	145	47.8	50	70	48	149
													10625	4.9	1	23.6	46.3	50	70	46	145	47.8	50	70	48	149
													11125	7.9	1	38	63.4	70	70	58	145	65.3	70	70	60	149
	230-1-60	25	134	39				2.3	7.6	1.3	8.6	None	-	-	-	45.5	50	70	45	145	46.8	50	70	47	148	
												10625	6.5	1	27.1	48.8	50	70	45	145	50.4	60	70	47	148	
												11125	10.5	1	43.8	69.6	70	70	64	145	71.3	80	80	66	148	
	208-3-60	15.9	110	25				2.3	8.4	1.1	8.6	None	-	-	-	34.9	35	50	36	121	36	40	50	37	124	
												10625	4.9	1	13.6	34.9	35	50	36	121	36	40	50	37	124	
												11125	7.9	1	21.9	43.3	45	50	40	121	44.6	45	50	41	124	
	230-3-60	15.9	110	25				2.3	7.6	1	8.6	None	-	-	-	34.1	35	45	35	121	35.1	40	50	36	124	
												10625	6.5	1	15.6	34.4	35	45	35	121	35.6	40	50	36	124	
												11125	10.5	1	25.3	46.5	50	50	43	121	47.8	50	50	44	124	
	460-3-60	7.1	52	11				1.3	4	0.5	8.6	None	-	-	-	16.4	20	20	17	59	16.9	20	20	17	60	
												11146	6	1	7.2	16.7	20	20	15	59	17.3	20	15	16	60	
												11146	11.5	1	13.8	24.9	25	25	23	59	25.6	30	23	24	60	
	07 (6)	208-3-60	19	123	30				2.3	5.2	1.1	8.6	None	-	-	-	37.9	40	50	38	169	40.1	45	50	41	179
		230-3-60	19	123	30				2.3	5.2	1	8.6	None	-	-	-	37.9	40	50	38	172	39.9	40	50	40	167
		460-3-60	9.7	62	15				1.3	2.6	0.5	8.6	None	-	-	-	19.5	20	25	20	88	20.5	25	25	21	85
575-3-60		7.4	50	12				1.1	2	0.4	8.6	None	-	-	-	15.2	20	20	15	71	16	20	20	16	68	

ZYE04-12 Standard Static Indoor Blower - With Powered Convenience Outlet (Continued)

Size (Tons)	Nominal Unit Voltage	Compressor 1			Compressor 2			OD Fan Motors (each)	Supply Blower Motor	Pwr Exh Motor	Pwr Conv Outlet	Electric Heat Field Installed Kit 2EK045*				MCA ¹ (Amps)	Min Fuse ^{2/} Breaker ³ Size (Amps)	Max Fuse ^{2/} Breaker ³ Size (Amps)	Min Disconnect Rating ⁴		MCA ¹ w/Pwr Exh (Amps)	Min Fuse ^{2/} Breaker ³ Size w/ Pwr Exh (Amps)	Max Fuse ^{2/} Breaker ³ Size w/ Pwr Exh (Amps)	Min Disconnect Rating ^{6/} Pwr Exh	
		RLA	LRA	MCC	RLA	LRA	MCC					Model	kW	Stages	Amps				FLA	LRA				FLA	LRA
08 (7.5)	208-3-60	13.6	83.1	21	13.6	83.1	21	2.3	5.2	1.1	8.6	None	-	-	-	44.7	45	50	47	212	46.9	50	50	50	222
												11725	12	1	33.3	53.5	60	60	49	212	56.3	60	60	52	222
												12525	18.6	1	51.6	76.4	80	80	70	212	79.1	80	80	73	222
												13225	24	1	66.6	95.1	100	100	88	212	97.9	100	100	90	222
												14225	31.8	2	88.3	122.3	125	125	112	212	125	150	150	115	222
	230-3-60	13.6	83.1	21	13.6	83.1	21	2.3	5.2	1	8.6	None	-	-	-	44.7	45	50	47	216	46.7	50	60	50	210
												11725	16	1	38.5	60	60	60	55	216	62.5	70	70	58	210
												12525	24.8	1	59.7	86.5	90	90	80	216	89	90	90	82	210
												13225	32	1	77	108.1	110	110	99	216	110.6	125	125	102	210
												14225	42.4	2	102	139.4	150	150	128	216	141.9	150	150	131	210
	460-3-60	6.1	41	10	6.1	41	10	1.3	2.6	0.5	8.6	None	-	-	-	21.1	25	25	23	108	22.1	25	25	24	105
												11746	16.5	1	19.8	30.7	35	35	28	108	31.9	35	28	29	105
												12846	27.8	1	33.4	47.7	50	50	44	108	48.9	50	44	45	105
												13346	33	1	39.7	55.6	60	60	51	108	56.8	60	51	52	105
												14246	41.7	2	50.2	68.7	70	70	63	108	69.9	70	63	64	105
575-3-60	4.2	33	7	4.2	33	7	1.1	2	0.4	8.6	None	-	-	-	15.4	20	20	16	87	16.2	20	20	17	84	
09 (8.5)	208-3-60	13.7	83.1	21	13.7	83.1	21	2.3	5.2	1.1	8.6	None	-	-	-	44.9	45	50	48	212	47.1	50	50	50	222
												11725	12	1	33.3	53.5	60	60	49	212	56.3	60	60	52	222
												12525	18.6	1	51.6	76.4	80	80	70	212	79.1	80	80	73	222
												13225	24	1	66.6	95.1	100	100	88	212	97.9	100	100	90	222
												14225	31.8	2	88.3	122.3	125	125	112	212	125	150	150	115	222
	230-3-60	13.7	83.1	21	13.7	83.1	21	2.3	5.2	1	8.6	None	-	-	-	44.9	45	50	48	216	46.9	50	60	50	210
												11725	16	1	38.5	60	60	60	55	216	62.5	70	70	58	210
												12525	24.8	1	59.7	86.5	90	90	80	216	89	90	90	82	210
												13225	32	1	77	108.1	110	110	99	216	110.6	125	125	102	210
												14225	42.4	2	102	139.4	150	150	128	216	141.9	150	150	131	210
	460-3-60	6.2	41	10	6.2	41	10	1.3	2.6	0.5	8.6	None	-	-	-	21.4	25	25	23	108	22.4	25	25	24	105
												11746	16.5	1	19.8	30.7	35	35	28	108	31.9	35	28	29	105
												12846	27.8	1	33.4	47.7	50	50	44	108	48.9	50	44	45	105
												13346	33	1	39.7	55.6	60	60	51	108	56.8	60	51	52	105
												14246	41.7	2	50.2	68.7	70	70	63	108	69.9	70	63	64	105
575-3-60	4.8	33	8	4.8	33	8	1.1	2	0.4	8.6	None	-	-	-	16.7	20	20	18	87	17.5	20	20	19	84	
12 (10)	208-3-60	16	110	25	16	110	25	5.8	5.2	1.1	8.6	None	-	-	-	51.3	60	60	54	269	53.5	60	60	57	279
												11725	12	1	33.3	53.5	60	60	54	269	56.3	60	60	57	279
												12525	18.6	1	51.6	76.4	80	80	70	269	79.1	80	80	73	279
												13225	24	1	66.6	95.1	100	100	88	269	97.9	100	100	90	279
												14225	31.8	2	88.3	122.3	125	125	112	269	125	150	150	115	279
	230-3-60	16	110	25	16	110	25	5.2	5.2	1	8.6	None	-	-	-	50.7	60	60	54	268	52.7	60	60	56	273
												11725	16	1	38.5	60	60	60	55	268	62.5	70	70	58	273
												12525	24.8	1	59.7	86.5	90	90	80	268	89	90	90	82	273
												13225	32	1	77	108.1	110	110	99	268	110.6	125	125	102	273
												14225	42.4	2	102	139.4	150	150	128	268	141.9	150	150	131	273
	460-3-60	7.8	52	12	7.8	52	12	2.9	2.6	0.5	8.6	None	-	-	-	25.3	30	30	27	130	26.3	30	30	28	132
												11746	16.5	1	19.8	30.7	35	35	28	130	31.9	35	28	29	132
												12846	27.8	1	33.4	47.7	50	50	44	130	48.9	50	44	45	132
												13346	33	1	39.7	55.6	60	60	51	130	56.8	60	51	52	132
												14246	41.7	2	50.2	68.7	70	70	63	130	69.9	70	63	64	132
575-3-60	5.7	38.9	9	5.7	38.9	9	2.2	2	0.4	8.6	None	-	-	-	18.7	20	20	20	101	19.5	20	20	21	103	

With VFD

ZYE04-12 Standard Static Indoor Blower - With Powered Convenience Outlet (Continued)

Size (Tons)	Nominal Unit Voltage	Compressor 1			Compressor 2			OD Fan Motors (each)	Supply Blower Motor	Pwr Exh Motor	Pwr Conv Outlet	Electric Heat Field Installed Kit 2EK045*				MCA ¹ (Amps)	Min Fuse ² /Breaker ³ Size (Amps)	Max Fuse ² /Breaker ³ Size (Amps)	Min Disconnect Rating ⁴		MCA ¹ w/Pwr Exh (Amps)	Min Fuse ² /Breaker ³ Size w/ Pwr Exh (Amps)	Max Fuse ² /Breaker ³ Size w/ Pwr Exh (Amps)	Min Disconnect Rating ⁴ /Pwr Exh	
		RLA	LRA	MCC	RLA	LRA	MCC					Model	kW	Stages	Amps				FLA	LRA				FLA	LRA
08 (7.5)	208-3-60	13.6	83.1	21	13.6	83.1	21	2.3	7	1.1	8.6	None	-	-	-	46.5	50	60	50	250	48.7	50	60	52	260
												11725	12	1	33.3	55.8	60	60	51	250	58.5	60	60	54	260
												12525	18.6	1	51.6	78.6	80	80	72	250	81.4	90	90	75	260
												13225	24	1	66.6	97.4	100	100	90	250	100.1	110	110	92	260
												14225	31.8	2	88.3	124.5	125	125	115	250	127.3	150	150	117	260
	230-3-60	13.6	83.1	21	13.6	83.1	21	2.3	7.2	1	8.6	None	-	-	-	46.7	50	60	50	252	48.7	50	60	52	247
												11725	16	1	38.5	62.5	70	70	58	252	65	70	70	60	247
												12525	24.8	1	59.7	89	90	90	82	252	91.5	100	100	84	247
												13225	32	1	77	110.6	125	125	102	252	113.1	125	125	104	247
												14225	42.4	2	102	141.9	150	150	131	252	144.4	150	150	133	247
	460-3-60	6.1	41	10	6.1	41	10	1.3	3.6	0.5	8.6	None	-	-	-	22.1	25	25	24	127	23.1	25	25	25	123
												11746	16.5	1	19.8	31.9	35	35	29	127	33.2	35	29	31	123
12846												27.8	1	33.4	48.9	50	50	45	127	50.2	60	45	46	123	
13346												33	1	39.7	56.8	60	60	52	127	58.1	60	52	53	123	
14246												41.7	2	50.2	69.9	70	70	64	127	71.2	80	64	65	123	
575-3-60	4.2	33	7	4.2	33	7	1.1	2.5	0.4	8.6	None	-	-	-	15.9	20	20	17	95	16.7	20	20	18	92	
09 (8.5)	208-3-60	13.7	83.1	21	13.7	83.1	21	2.3	7	1.1	8.6	None	-	-	-	46.7	50	60	50	250	48.9	50	60	52	260
												11725	12	1	33.3	55.8	60	60	51	250	58.5	60	60	54	260
												12525	18.6	1	51.6	78.6	80	80	72	250	81.4	90	90	75	260
												13225	24	1	66.6	97.4	100	100	90	250	100.1	110	110	92	260
												14225	31.8	2	88.3	124.5	125	125	115	250	127.3	150	150	117	260
	230-3-60	13.7	83.1	21	13.7	83.1	21	2.3	7.2	1	8.6	None	-	-	-	46.9	50	60	50	252	48.9	50	60	52	247
												11725	16	1	38.5	62.5	70	70	58	252	65	70	70	60	247
												12525	24.8	1	59.7	89	90	90	82	252	91.5	100	100	84	247
												13225	32	1	77	110.6	125	125	102	252	113.1	125	125	104	247
												14225	42.4	2	102	141.9	150	150	131	252	144.4	150	150	133	247
	460-3-60	6.2	41	10	6.2	41	10	1.3	3.6	0.5	8.6	None	-	-	-	22.4	25	25	24	127	23.4	25	25	25	123
												11746	16.5	1	19.8	31.9	35	35	29	127	33.2	35	29	31	123
12846												27.8	1	33.4	48.9	50	50	45	127	50.2	60	45	46	123	
13346												33	1	39.7	56.8	60	60	52	127	58.1	60	52	53	123	
14246												41.7	2	50.2	69.9	70	70	64	127	71.2	80	64	65	123	
575-3-60	4.8	33	8	4.8	33	8	1.1	2.5	0.4	8.6	None	-	-	-	17.2	20	20	18	95	18	20	20	19	92	
12 (10)	208-3-60	16	110	25	16	110	25	5.8	7	1.1	8.6	None	-	-	-	53.1	60	60	56	306	55.3	60	70	59	316
												11725	12	1	33.3	55.8	60	60	56	306	58.5	60	70	59	316
												12525	18.6	1	51.6	78.6	80	80	72	306	81.4	90	90	75	316
												13225	24	1	66.6	97.4	100	100	90	306	100.1	110	110	92	316
												14225	31.8	2	88.3	124.5	125	125	115	306	127.3	150	150	117	316
	230-3-60	16	110	25	16	110	25	5.2	7.2	1	8.6	None	-	-	-	52.7	60	60	56	305	54.7	60	70	58	310
												11725	16	1	38.5	62.5	70	70	58	305	65	70	70	60	310
												12525	24.8	1	59.7	89	90	90	82	305	91.5	100	100	84	310
												13225	32	1	77	110.6	125	125	102	305	113.1	125	125	104	310
												14225	42.4	2	102	141.9	150	150	131	305	144.4	150	150	133	310
	460-3-60	7.8	52	12	7.8	52	12	2.9	3.6	0.5	8.6	None	-	-	-	26.3	30	30	28	148	27.3	30	30	29	150
												11746	16.5	1	19.8	31.9	35	35	29	148	33.2	35	29	31	150
12846												27.8	1	33.4	48.9	50	50	45	148	50.2	60	45	46	150	
13346												33	1	39.7	56.8	60	60	52	148	58.1	60	52	53	150	
14246												41.7	2	50.2	69.9	70	70	64	148	71.2	80	64	65	150	
575-3-60	5.7	38.9	9	5.7	38.9	9	2.2	2.5	0.4	8.6	None	-	-	-	19.2	20	20	20	109	20	20	20	21	110	

1. Minimum Circuit Ampacity.
2. Dual Element, Time Delay Type.
3. HACR type per NEC.
4. Non-fused Disconnect, Verify on the unit nameplate that the disconnect is properly sized for the application. Units with field installed electric heat kits may exceed the factory installed disconnect amperage rating.

ZYE04-12 Medium Static Indoor Blower - Without Powered Convenience Outlet

Size (Tons)	Nominal Unit Voltage	Compressor 1			Compressor 2			OD Fan Motors (each)	Supply Blower Motor	Pwr Exh Motor	Pwr Conv Outlet	Electric Heat Field Installed Kit 2EK045*			MCA ¹ (Amps)	Min Fuse ² /Breaker ³ Size (Amps)	Max Fuse ² /Breaker ³ Size (Amps)	Min Disconnect Rating ⁴		MCA ¹ w/Pwr Exh (Amps)	Min Fuse ² /Breaker ³ Size w/ Pwr Exh (Amps)	Max Fuse ² /Breaker ³ Size w/ Pwr Exh (Amps)	Min Disconnect Rating ⁷ /Pwr Exh			
		RLA	LRA	MCC	RLA	LRA	MCC					Model	kW	Stages				Amps	FLA				LRA	FLA	LRA	
		04 (3)	208-1-60	16.7	79	26								1.4				7.6	1.5					None	-	-
10625	4.9							1	23.6	39	40				45	36	115			40.9	45	45		38	119	
11125	7.9							1	38	57	60				60	52	115			58.9	60	60		54	119	
230-1-60	16.7		79	26				1.4	7	1.3			None	-	-	-	29.3	30	45	29	118	30.6	35	45	30	121
													10625	6.5	1	27.1	42.6	45	45	39	118	44.3	45	45	41	121
													11125	10.5	1	43.8	63.5	70	70	58	118	65.1	70	70	60	121
208-3-60	10.4		73	16				1.4	5.2	1.1			None	-	-	-	19.6	20	30	20	99	20.7	25	30	21	101
													10625	4.9	1	13.6	23.5	25	30	22	99	24.9	25	30	23	101
													11125	7.9	1	21.9	33.9	35	35	31	99	35.3	40	40	32	101
230-3-60	10.4		73	16				1.4	5.2	1			None	-	-	-	19.6	20	30	20	101	20.6	25	30	21	104
													10625	6.5	1	15.6	26	30	30	24	101	27.3	30	30	25	104
													11125	10.5	1	25.3	38.1	40	40	35	101	39.4	40	40	36	104
460-3-60	5.8		38	9				0.8	2.6	0.5			None	-	-	-	10.7	15	15	11	52	11.2	15	15	11	54
													10646	6	1	7.2	12.3	15	15	11	52	12.9	15	11	12	54
													11146	11.5	1	13.8	20.5	25	25	19	52	21.1	25	19	19	54
575-3-60	3.8		36.5	6				0.6	2	0.4			None	-	-	-	7.4	15	15	7	48	7.8	15	15	8	49
													10625	6.5	1	15.6	26	30	30	24	101	27.3	30	30	25	104
													11125	10.5	1	25.3	38.1	40	40	35	101	39.4	40	40	36	104
05 (4)	208-1-60	21.8	117	34				1.4	7.6	1.5		None	-	-	-	36.3	40	50	35	153	37.8	40	50	37	157	
												10625	4.9	1	23.6	39	40	50	36	153	40.9	45	50	38	157	
												11125	7.9	1	38	57	60	60	52	153	58.9	60	60	54	157	
	230-1-60	21.8	117	34				1.4	7	1.3			None	-	-	-	35.7	40	50	35	156	37	40	50	36	159
													10625	6.5	1	27.1	42.6	45	50	39	156	44.3	45	50	41	159
													11125	10.5	1	43.8	63.5	70	70	58	156	65.1	70	70	60	159
	208-3-60	13.7	83.1	21				1.4	5.2	1.1			None	-	-	-	23.7	25	35	23	109	24.8	25	35	25	111
													10625	4.9	1	13.6	23.7	25	35	23	109	24.9	25	35	25	111
													11125	7.9	1	21.9	33.9	35	35	31	109	35.3	40	40	32	111
	230-3-60	13.7	83.1	21				1.4	5.2	1			None	-	-	-	23.7	25	35	23	111	24.7	25	35	24	114
													10625	6.5	1	15.6	26	30	35	24	111	27.3	30	35	25	114
													11125	10.5	1	25.3	38.1	40	40	35	111	39.4	40	40	36	114
	460-3-60	6.2	41	10				0.8	2.6	0.5			None	-	-	-	11.2	15	15	11	55	11.7	15	15	12	57
													10646	6	1	7.2	12.3	15	15	11	55	12.9	15	11	12	57
													11146	11.5	1	13.8	20.5	25	25	19	55	21.1	25	19	19	57
	575-3-60	4.8	33	8				0.6	2	0.4			None	-	-	-	8.6	15	15	9	45	9	15	15	9	45
													10625	6.5	1	15.6	26	30	35	24	111	27.3	30	35	25	114
													11125	10.5	1	25.3	38.1	40	40	35	111	39.4	40	40	36	114
06 (5)	208-1-60	25	134	39				2.3	6.8	1.5		None	-	-	-	40.4	45	60	39	171	41.9	45	60	41	175	
												10625	4.9	1	23.6	40.4	45	60	39	171	41.9	45	60	41	175	
												11125	7.9	1	38	56	60	60	52	171	57.9	60	60	53	175	
	230-1-60	25	134	39				2.3	6.2	1.3			None	-	-	-	39.8	40	60	39	172	41.1	45	60	40	175
													10625	6.5	1	27.1	41.6	45	60	39	172	43.3	45	60	40	175
													11125	10.5	1	43.8	62.5	70	70	58	172	64.1	70	70	59	175
	208-3-60	15.9	110	25				2.3	7	1.1			None	-	-	-	29.2	30	45	29	175	30.3	35	45	30	177
													10625	4.9	1	13.6	29.2	30	45	29	175	30.3	35	45	30	177
													11125	7.9	1	21.9	36.1	40	45	33	175	37.5	40	45	35	177
	230-3-60	15.9	110	25				2.3	7.2	1			None	-	-	-	29.4	30	45	29	177	30.4	35	45	30	179
													10625	6.5	1	15.6	29.4	30	45	29	177	30.4	35	45	30	179
													11125	10.5	1	25.3	40.6	45	45	37	177	41.9	45	45	39	179
	460-3-60	7.1	52	11				1.3	3.6	0.5			None	-	-	-	13.8	15	20	14	86	14.3	15	20	14	87
													11146	6	1	7.2	13.8	15	20	12	86	14.3	15	12	13	87
													11146	11.5	1	13.8	21.8	25	25	20	86	22.4	25	20	21	87
	575-3-60	5.1	39.5	8				1.1	2.5	0.4			None	-	-	-	10	15	15	10	60	10.4	15	15	10	60
													10625	6.5	1	15.6	29.4	30	45	29	177	30.4	35	45	30	179
													11125	10.5	1	25.3	40.6	45	45	37	177	41.9	45	45	39	179

ZYE04-12 Medium Static Indoor Blower - Without Powered Convenience Outlet (Continued)

Size (Tons)	Nominal Unit Voltage	Compressor 1			Compressor 2			OD Fan Motors (each)	Supply Blower Motor	Pwr Exh Motor	Pwr Conv Outlet	Electric Heat Field Installed Kit 2EK045*				MCA ¹ (Amps)	Min Fuse ² / Breaker ³ Size (Amps)	Max Fuse ² / Breaker ³ Size (Amps)	Min Discon- nect Rating ⁴		MCA ¹ w/Pwr Exh (Amps)	Min Fuse ² / Breaker ³ Size w/ Pwr Exh (Amps)	Max Fuse ² / Breaker ³ Size w/ Pwr Exh (Amps)	Min Discon- nect Rating ⁴ / Pwr Exh		
		RLA	LRA	MCC	RLA	LRA	MCC					Model	kW	Stages	Amps				FLA	LRA				FLA	LRA	
07 (6)	208-3-60	19	123	30				2.3	7.5	1.1		None	-	-	-	35.9	40	50	36	191	38.1	40	50	38	201	
	230-3-60	19	123	30				2.3	7.5	1		None	-	-	-	35.9	40	50	36	198	37.9	40	50	38	193	
	460-3-60	9.7	62	15				1.3	3.4	0.5		None	-	-	-	18.1	20	25	18	101	19.1	20	25	19	98	
	575-3-60	7.4	50	12				1.1	2.8	0.4		None	-	-	-	14.3	15	20	14	81	15.1	20	20	15	79	
08 (7.5)	208-3-60	13.6	83.1	21	13.6	83.1	21	2.3	5.2	1.1		None	-	-	-	40.4	45	50	43	208	42.6	45	50	45	218	
												11725	12	1	33.3	48.1	50	50	44	208	50.9	60	60	47	218	
												12525	18.6	1	51.6	71	80	80	65	208	73.8	80	80	68	218	
												13225	24	1	66.6	89.8	90	90	83	208	92.5	100	100	85	218	
												14225	31.8	2	88.3	116.9	125	125	108	208	119.6	125	125	110	218	
	230-3-60	13.6	83.1	21	13.6	83.1	21	2.3	5.2	1			None	-	-	-	40.4	45	50	43	211	42.4	45	50	45	206
													11725	16	1	38.5	54.6	60	60	50	211	57.1	60	60	53	206
													12525	24.8	1	59.7	81.1	90	90	75	211	83.6	90	90	77	206
													13225	32	1	77	102.8	110	110	95	211	105.3	110	110	97	206
													14225	42.4	2	102	134	150	150	123	211	136.5	150	150	126	206
	460-3-60	6.1	41	10	6.1	41	10	1.3	2.6	0.5			None	-	-	-	18.9	20	25	20	106	19.9	20	25	21	103
													11746	16.5	1	19.8	28	30	30	26	106	29.3	30	26	27	103
													12846	27.8	1	33.4	45	45	45	41	106	46.3	50	41	43	103
													13346	33	1	39.7	52.9	60	60	49	106	54.1	60	49	50	103
													14246	41.7	2	50.2	66	70	70	61	106	67.3	70	61	62	103
	575-3-60	4.2	33	7	4.2	33	7	1.1	2	0.4		None	-	-	-	13.7	15	15	14	85	14.5	15	15	15	83	
	09 (8.5)	208-3-60	13.7	83.1	21	13.7	83.1	21	2.3	5.2	1.1		None	-	-	-	40.6	45	50	43	208	42.8	45	50	45	218
													11725	12	1	33.3	48.1	50	50	44	208	50.9	60	60	47	218
													12525	18.6	1	51.6	71	80	80	65	208	73.8	80	80	68	218
													13225	24	1	66.6	89.8	90	90	83	208	92.5	100	100	85	218
14225													31.8	2	88.3	116.9	125	125	108	208	119.6	125	125	110	218	
230-3-60		13.7	83.1	21	13.7	83.1	21	2.3	5.2	1			None	-	-	-	40.6	45	50	43	211	42.6	45	50	45	206
													11725	16	1	38.5	54.6	60	60	50	211	57.1	60	60	53	206
													12525	24.8	1	59.7	81.1	90	90	75	211	83.6	90	90	77	206
													13225	32	1	77	102.8	110	110	95	211	105.3	110	110	97	206
													14225	42.4	2	102	134	150	150	123	211	136.5	150	150	126	206
460-3-60		6.2	41	10	6.2	41	10	1.3	2.6	0.5			None	-	-	-	19.2	20	25	20	106	20.2	25	25	21	103
													11746	16.5	1	19.8	28	30	30	26	106	29.3	30	26	27	103
													12846	27.8	1	33.4	45	45	45	41	106	46.3	50	41	43	103
													13346	33	1	39.7	52.9	60	60	49	106	54.1	60	49	50	103
													14246	41.7	2	50.2	66	70	70	61	106	67.3	70	61	62	103
575-3-60		4.8	33	8	4.8	33	8	1.1	2	0.4		None	-	-	-	15	20	20	16	85	15.8	20	20	17	83	
12 (10)		208-3-60	16	110	25	16	110	25	5.8	10.2	1.1		None	-	-	-	52	60	60	55	305	54.2	60	60	58	315
													11725	12	1	33.3	54.4	60	60	55	305	57.1	60	60	58	315
													12525	18.6	1	51.6	77.3	80	80	71	305	80	90	90	74	315
													13225	24	1	66.6	96	100	100	88	305	98.8	100	100	91	315
	14225												31.8	2	88.3	123.1	125	125	113	305	125.9	150	150	116	315	
	230-3-60	16	110	25	16	110	25	5.2	10.2	1			None	-	-	-	51.4	60	60	55	308	53.4	60	60	57	313
													11725	16	1	38.5	60.9	70	70	56	308	63.4	70	70	58	313
													12525	24.8	1	59.7	87.4	90	90	80	308	89.9	90	90	83	313
													13225	32	1	77	109	110	110	100	308	111.5	125	125	103	313
													14225	42.4	2	102	140.3	150	150	129	308	142.8	150	150	131	313
	460-3-60	7.8	52	12	7.8	52	12	2.9	4.8	0.5			None	-	-	-	25.3	30	30	27	150	26.3	30	30	28	152
													11746	16.5	1	19.8	30.8	35	35	28	150	32	35	28	29	152
													12846	27.8	1	33.4	47.8	50	50	44	150	49	50	44	45	152
													13346	33	1	39.7	55.6	60	60	51	150	56.9	60	51	52	152
													14246	41.7	2	50.2	68.8	70	70	63	150	70	70	63	64	152
	575-3-60	5.7	38.9	9	5.7	38.9	9	2.2	3.4	0.4		None	-	-	-	18.4	20	20	20	117	19.2	20	20	20	119	

ZYE04-12 Medium Static Indoor Blower - Without Powered Convenience Outlet (Continued)

Size (Tons)	Nominal Unit Voltage	Compressor 1			Compressor 2			OD Fan Motors (each)	Supply Blower Motor	Pwr Exh Motor	Pwr Conv Outlet	Electric Heat Field Installed Kit 2EK045*				MCA ¹ (Amps)	Min Fuse ² / Breaker ³ Size (Amps)	Max Fuse ² / Breaker ³ Size (Amps)	Min Disconnect Rating ⁴		MCA ¹ w/Pwr Exh (Amps)	Min Fuse ² / Breaker ³ Size w/ Pwr Exh (Amps)	Max Fuse ² / Breaker ³ Size w/ Pwr Exh (Amps)	Min Disconnect Rating ⁴ / Pwr Exh	
		RLA	LRA	MCC	RLA	LRA	MCC					Model	kW	Stages	Amps				FLA	LRA				FLA	LRA
With VFD																									
08 (7.5)	208-3-60	13.6	83.1	21	13.6	83.1	21	2.3	7	1.1	None	-	-	-	42.2	45	50	45	246	44.4	45	50	47	256	
											11725	12	1	33.3	50.4	60	60	46	246	53.1	60	60	49	256	
											12525	18.6	1	51.6	73.3	80	80	67	246	76	80	80	70	256	
											13225	24	1	66.6	92	100	100	85	246	94.8	100	100	87	256	
											14225	31.8	2	88.3	119.1	125	125	110	246	121.9	125	125	112	256	
	230-3-60	13.6	83.1	21	13.6	83.1	21	2.3	7.2	1	None	-	-	-	42.4	45	50	45	248	44.4	45	50	47	243	
											11725	16	1	38.5	57.1	60	60	53	248	59.6	60	60	55	243	
											12525	24.8	1	59.7	83.6	90	90	77	248	86.1	90	90	79	243	
											13225	32	1	77	105.3	110	110	97	248	107.8	110	110	99	243	
											14225	42.4	2	102	136.5	150	150	126	248	139	150	150	128	243	
	460-3-60	6.1	41	10	6.1	41	10	1.3	3.6	0.5	None	-	-	-	19.9	20	25	21	125	20.9	25	25	22	121	
											11746	16.5	1	19.8	29.3	30	30	27	125	30.5	35	27	28	121	
											12846	27.8	1	33.4	46.3	50	50	43	125	47.5	50	43	44	121	
											13346	33	1	39.7	54.1	60	60	50	125	55.4	60	50	51	121	
											14246	41.7	2	50.2	67.3	70	70	62	125	68.5	70	62	63	121	
	575-3-60	4.2	33	7	4.2	33	7	1.1	2.5	0.4	None	-	-	-	14.2	15	15	15	93	15	15	15	16	90	
09 (8.5)	208-3-60	13.7	83.1	21	13.7	83.1	21	2.3	7	1.1	None	-	-	-	42.4	45	50	45	246	44.6	45	50	47	256	
											11725	12	1	33.3	50.4	60	60	46	246	53.1	60	60	49	256	
											12525	18.6	1	51.6	73.3	80	80	67	246	76	80	80	70	256	
											13225	24	1	66.6	92	100	100	85	246	94.8	100	100	87	256	
											14225	31.8	2	88.3	119.1	125	125	110	246	121.9	125	125	112	256	
	230-3-60	13.7	83.1	21	13.7	83.1	21	2.3	7.2	1	None	-	-	-	42.6	45	50	45	248	44.6	45	50	47	243	
											11725	16	1	38.5	57.1	60	60	53	248	59.6	60	60	55	243	
											12525	24.8	1	59.7	83.6	90	90	77	248	86.1	90	90	79	243	
											13225	32	1	77	105.3	110	110	97	248	107.8	110	110	99	243	
											14225	42.4	2	102	136.5	150	150	126	248	139	150	150	128	243	
	460-3-60	6.2	41	10	6.2	41	10	1.3	3.6	0.5	None	-	-	-	20.2	25	25	21	125	21.2	25	25	23	121	
											11746	16.5	1	19.8	29.3	30	30	27	125	30.5	35	27	28	121	
											12846	27.8	1	33.4	46.3	50	50	43	125	47.5	50	43	44	121	
											13346	33	1	39.7	54.1	60	60	50	125	55.4	60	50	51	121	
											14246	41.7	2	50.2	67.3	70	70	62	125	68.5	70	62	63	121	
	575-3-60	4.8	33	8	4.8	33	8	1.1	2.5	0.4	None	-	-	-	15.5	20	20	16	93	16.3	20	20	17	90	
12 (10)	208-3-60	16	110	25	16	110	25	5.8	9.9	1.1	None	-	-	-	51.7	60	60	55	315	53.9	60	60	57	325	
											11725	12	1	33.3	54	60	60	55	315	56.8	60	60	57	325	
											12525	18.6	1	51.6	76.9	80	80	71	315	79.6	80	80	73	325	
											13225	24	1	66.6	95.6	100	100	88	315	98.4	100	100	91	325	
											14225	31.8	2	88.3	122.8	125	125	113	315	125.5	150	150	115	325	
	230-3-60	16	110	25	16	110	25	5.2	9.4	1	None	-	-	-	50.6	60	60	54	320	52.6	60	60	56	324	
											11725	16	1	38.5	59.9	60	60	55	320	62.4	70	70	57	324	
											12525	24.8	1	59.7	86.4	90	90	79	320	88.9	90	90	82	324	
											13225	32	1	77	108	110	110	99	320	110.5	125	125	102	324	
											14225	42.4	2	102	139.3	150	150	128	320	141.8	150	150	130	324	
	460-3-60	7.8	52	12	7.8	52	12	2.9	4.7	0.5	None	-	-	-	25.2	30	30	27	155	26.2	30	30	28	158	
											11746	16.5	1	19.8	30.6	35	35	28	155	31.9	35	28	29	158	
											12846	27.8	1	33.4	47.6	50	50	44	155	48.9	50	44	45	158	
											13346	33	1	39.7	55.5	60	60	51	155	56.8	60	51	52	158	
											14246	41.7	2	50.2	68.6	70	70	63	155	69.9	70	63	64	158	
	575-3-60	5.7	38.9	9	5.7	38.9	9	2.2	4.3	0.4	None	-	-	-	19.3	20	25	21	129	20.1	25	25	22	131	

1. Minimum Circuit Ampacity.
2. Dual Element, Time Delay Type.
3. HACR type per NEC.
4. Non-fused Disconnect, Verify on the unit nameplate that the disconnect is properly sized for the application. Units with field installed electric heat kits may exceed the factory installed disconnect amperage rating.

ZYE04-12 Medium Static Indoor Blower - With Powered Convenience Outlet

Size (Tons)	Nominal Unit Voltage	Compressor 1			Compressor 2			OD Fan Motors (each)	Supply Blower Motor	Pwr Exh Motor	Pwr Conv Outlet	Electric Heat Field Installed Kit 2EK045*				MCA ¹ (Amps)	Min Fuse ² /Breaker ³ Size (Amps)	Max Fuse ² /Breaker ³ Size (Amps)	Min Disconnect Rating ⁴		MCA ¹ w/Pwr Exh (Amps)	Min Fuse ² /Breaker ³ Size w/ Pwr Exh (Amps)	Max Fuse ² /Breaker ³ Size w/ Pwr Exh (Amps)	Min Disconnect Rating ⁷ /Pwr Exh	
		RLA	LRA	MCC	RLA	LRA	MCC					Model	kW	Stages	Amps				FLA	LRA				FLA	LRA
04 (3)	208-1-60	16.7	79	26				1.4	7.6	1.5	8.6	None	-	-	-	34.2	35	50	35	120	35.7	40	50	36	123
												10625	4.9	1	23.6	44.4	45	50	41	120	46.3	50	50	43	123
												11125	7.9	1	38	62.4	70	70	57	120	64.3	70	70	59	123
	230-1-60	16.7	79	26				1.4	7	1.3	8.6	None	-	-	-	33.6	35	50	34	122	34.9	35	50	35	125
												10625	6.5	1	27.1	48	50	50	44	122	49.6	50	50	46	125
												11125	10.5	1	43.8	68.9	70	70	63	122	70.5	80	80	65	125
	208-3-60	10.4	73	16				1.4	5.2	1.1	8.6	None	-	-	-	23.9	25	30	24	103	25	25	35	26	105
												10625	4.9	1	13.6	28.9	30	30	27	103	30.3	35	35	28	105
												11125	7.9	1	21.9	39.3	40	40	36	103	40.6	45	45	37	105
	230-3-60	10.4	73	16				1.4	5.2	1	8.6	None	-	-	-	23.9	25	30	24	106	24.9	25	35	26	108
												10625	6.5	1	15.6	31.4	35	35	29	106	32.6	35	35	30	108
												11125	10.5	1	25.3	43.5	45	45	40	106	44.8	45	45	41	108
	460-3-60	5.8	38	9				0.8	2.6	0.5	8.6	None	-	-	-	12.9	15	15	13	55	13.4	15	15	14	56
												10646	6	1	7.2	14.9	15	15	14	55	15.6	20	14	14	56
												11146	11.5	1	13.8	23.2	25	25	21	55	23.8	25	21	22	56
575-3-60	3.8	36.5	6				0.6	2	0.4	8.6	None	-	-	-	9.1	15	15	9	50	9.5	15	15	10	51	
											10625	-	-	-	40.6	45	60	40	158	42.1	45	60	42	161	
											11125	-	-	-	40	40	60	40	160	41.3	45	60	41	163	
05 (4)	208-1-60	21.8	117	34				1.4	7.6	1.5	8.6	None	-	-	-	40.6	45	60	40	158	42.1	45	60	42	161
												10625	4.9	1	23.6	44.4	45	60	41	158	46.3	50	60	43	161
												11125	7.9	1	38	62.4	70	70	57	158	64.3	70	70	59	161
	230-1-60	21.8	117	34				1.4	7	1.3	8.6	None	-	-	-	40	40	60	40	160	41.3	45	60	41	163
												10625	6.5	1	27.1	48	50	60	44	160	49.6	50	60	46	163
												11125	10.5	1	43.8	68.9	70	70	63	160	70.5	80	80	65	163
	208-3-60	13.7	83.1	21				1.4	5.2	1.1	8.6	None	-	-	-	28	30	40	28	113	29.1	30	40	30	116
												10625	4.9	1	13.6	28.9	30	40	28	113	30.3	35	40	30	116
												11125	7.9	1	21.9	39.3	40	40	36	113	40.6	45	45	37	116
	230-3-60	13.7	83.1	21				1.4	5.2	1	8.6	None	-	-	-	28	30	40	28	116	29	30	40	29	118
												10625	6.5	1	15.6	31.4	35	40	29	116	32.6	35	40	30	118
												11125	10.5	1	25.3	43.5	45	45	40	116	44.8	45	45	41	118
	460-3-60	6.2	41	10				0.8	2.6	0.5	8.6	None	-	-	-	13.4	15	15	14	58	13.9	15	15	14	59
												10646	6	1	7.2	14.9	15	15	14	58	15.6	20	14	14	59
												11146	11.5	1	13.8	23.2	25	25	21	58	23.8	25	21	22	59
575-3-60	4.8	33	8				0.6	2	0.4	8.6	None	-	-	-	10.3	15	15	10	46	10.7	15	15	11	47	
											10625	-	-	-	44.7	45	60	44	176	46.2	50	70	46	179	
											11125	-	-	-	44.1	45	60	43	176	63.3	70	70	58	179	
06 (5)	208-1-60	25	134	39				2.3	6.8	1.5	8.6	None	-	-	-	44.1	45	60	43	176	45.4	50	70	45	179
												10625	4.9	1	23.6	44.7	45	60	44	176	46.2	50	70	46	179
												11125	7.9	1	38	61.4	70	70	56	176	63.3	70	70	58	179
	230-1-60	25	134	39				2.3	6.2	1.3	8.6	None	-	-	-	44.1	45	60	43	176	45.4	50	70	45	179
												10625	6.5	1	27.1	47	50	60	43	176	48.6	50	70	45	179
												11125	10.5	1	43.8	67.9	70	70	62	176	69.5	70	70	64	179
	208-3-60	15.9	110	25				2.3	7	1.1	8.6	None	-	-	-	33.5	35	45	34	179	34.6	35	50	35	182
												10625	4.9	1	13.6	33.5	35	45	34	179	34.6	35	50	35	182
												11125	7.9	1	21.9	41.5	45	45	38	179	42.9	45	50	39	182
	230-3-60	15.9	110	25				2.3	7.2	1	8.6	None	-	-	-	33.7	35	45	34	181	34.7	35	50	35	183
												10625	6.5	1	15.6	33.9	35	45	34	181	35.1	40	50	35	183
												11125	10.5	1	25.3	46	50	50	42	181	47.3	50	50	43	183
	460-3-60	7.1	52	11				1.3	3.6	0.5	8.6	None	-	-	-	16	20	20	16	88	16.5	20	20	17	89
												11146	6	1	7.2	16.2	20	20	15	88	16.8	20	15	15	89
												11146	11.5	1	13.8	24.4	25	25	22	88	25.1	30	22	23	89
575-3-60	5.1	39.5	8				1.1	2.5	0.4	8.6	None	-	-	-	11.7	15	15	12	61	12.1	15	15	12	62	
											10625	-	-	-	44.7	45	60	44	176	46.2	50	70	46	179	
											11125	-	-	-	44.1	45	60	43	176	63.3	70	70	58	179	

ZYE04-12 Medium Static Indoor Blower - With Powered Convenience Outlet (Continued)

Size (Tons)	Nominal Unit Voltage	Compressor 1			Compressor 2			OD Fan Motors (each)	Supply Blower Motor	Pwr Exh Motor	Pwr Conv Outlet	Electric Heat Field Installed Kit 2EK045*				MCA ¹ (Amps)	Min Fuse ^{2/} / Breaker ³ Size (Amps)	Max Fuse ^{2/} / Breaker ³ Size (Amps)	Min Discon- nect Rating ⁴		MCA ¹ w/Pwr Exh (Amps)	Min Fuse ^{2/} / Breaker ³ Size w/ Pwr Exh (Amps)	Max Fuse ^{2/} / Breaker ³ Size w/ Pwr Exh (Amps)	Min Discon- nect Rating ⁴ / Pwr Exh	
		RLA	LRA	MCC	RLA	LRA	MCC					Model	kW	Stages	Amps				FLA	LRA				FLA	LRA
07 (6)	208-3-60	19	123	30				2.3	7.5	1.1	8.6	None	-	-	-	40.2	45	50	41	195	42.4	45	60	43	205
	230-3-60	19	123	30				2.3	7.5	1	8.6	None	-	-	-	40.2	45	50	41	202	42.2	45	60	43	197
	460-3-60	9.7	62	15				1.3	3.4	0.5	8.6	None	-	-	-	20.3	25	30	21	103	21.3	25	30	22	100
	575-3-60	7.4	50	12				1.1	2.8	0.4	8.6	None	-	-	-	16	20	20	16	83	16.8	20	20	17	80
08 (7.5)	208-3-60	13.6	83.1	21	13.6	83.1	21	2.3	5.2	1.1	8.6	None	-	-	-	44.7	45	50	47	212	46.9	50	50	50	222
												11725	12	1	33.3	53.5	60	60	49	212	56.3	60	60	52	222
												12525	18.6	1	51.6	76.4	80	80	70	212	79.1	80	80	73	222
												13225	24	1	66.6	95.1	100	100	88	212	97.9	100	100	90	222
												14225	31.8	2	88.3	122.3	125	125	112	212	125	150	150	115	222
	230-3-60	13.6	83.1	21	13.6	83.1	21	2.3	5.2	1	8.6	None	-	-	-	44.7	45	50	47	216	46.7	50	60	50	210
												11725	16	1	38.5	60	60	55	216	62.5	70	70	58	210	
												12525	24.8	1	59.7	86.5	90	90	80	216	89	90	90	82	210
												13225	32	1	77	108.1	110	110	99	216	110.6	125	125	102	210
												14225	42.4	2	102	139.4	150	150	128	216	141.9	150	150	131	210
	460-3-60	6.1	41	10	6.1	41	10	1.3	2.6	0.5	8.6	None	-	-	-	21.1	25	25	23	108	22.1	25	25	24	105
												11746	16.5	1	19.8	30.7	35	35	28	108	31.9	35	28	29	105
												12846	27.8	1	33.4	47.7	50	50	44	108	48.9	50	44	45	105
												13346	33	1	39.7	55.6	60	60	51	108	56.8	60	51	52	105
												14246	41.7	2	50.2	68.7	70	70	63	108	69.9	70	63	64	105
	575-3-60	4.2	33	7	4.2	33	7	1.1	2	0.4	8.6	None	-	-	-	15.4	20	20	16	87	16.2	20	20	17	84
09 (8.5)	208-3-60	13.7	83.1	21	13.7	83.1	21	2.3	5.2	1.1	8.6	None	-	-	-	44.9	45	50	48	212	47.1	50	50	50	222
												11725	12	1	33.3	53.5	60	60	49	212	56.3	60	60	52	222
												12525	18.6	1	51.6	76.4	80	80	70	212	79.1	80	80	73	222
												13225	24	1	66.6	95.1	100	100	88	212	97.9	100	100	90	222
												14225	31.8	2	88.3	122.3	125	125	112	212	125	150	150	115	222
	230-3-60	13.7	83.1	21	13.7	83.1	21	2.3	5.2	1	8.6	None	-	-	-	44.9	45	50	48	216	46.9	50	60	50	210
												11725	16	1	38.5	60	60	55	216	62.5	70	70	58	210	
												12525	24.8	1	59.7	86.5	90	90	80	216	89	90	90	82	210
												13225	32	1	77	108.1	110	110	99	216	110.6	125	125	102	210
												14225	42.4	2	102	139.4	150	150	128	216	141.9	150	150	131	210
	460-3-60	6.2	41	10	6.2	41	10	1.3	2.6	0.5	8.6	None	-	-	-	21.4	25	25	23	108	22.4	25	25	24	105
												11746	16.5	1	19.8	30.7	35	35	28	108	31.9	35	28	29	105
												12846	27.8	1	33.4	47.7	50	50	44	108	48.9	50	44	45	105
												13346	33	1	39.7	55.6	60	60	51	108	56.8	60	51	52	105
												14246	41.7	2	50.2	68.7	70	70	63	108	69.9	70	63	64	105
	575-3-60	4.8	33	8	4.8	33	8	1.1	2	0.4	8.6	None	-	-	-	16.7	20	20	18	87	17.5	20	20	19	84
12 (10)	208-3-60	16	110	25	16	110	25	5.8	10.2	1.1	8.6	None	-	-	-	56.3	60	70	60	310	58.5	60	70	63	320
												11725	12	1	33.3	59.8	60	60	60	310	62.5	70	70	63	320
												12525	18.6	1	51.6	82.6	90	90	76	310	85.4	90	90	79	320
												13225	24	1	66.6	101.4	110	110	93	310	104.1	110	110	96	320
												14225	31.8	2	88.3	128.5	150	150	118	310	131.3	150	150	121	320
	230-3-60	16	110	25	16	110	25	5.2	10.2	1	8.6	None	-	-	-	55.7	60	70	59	312	57.7	60	70	62	317
												11725	16	1	38.5	66.3	70	70	61	312	68.8	70	70	63	317
												12525	24.8	1	59.7	92.8	100	100	85	312	95.3	100	100	88	317
												13225	32	1	77	114.4	125	125	105	312	116.9	125	125	108	317
												14225	42.4	2	102	145.6	150	150	134	312	148.1	150	150	136	317
	460-3-60	7.8	52	12	7.8	52	12	2.9	4.8	0.5	8.6	None	-	-	-	27.5	30	35	29	152	28.5	30	35	30	154
												11746	16.5	1	19.8	33.4	35	35	31	152	34.7	35	31	32	154
												12846	27.8	1	33.4	50.4	60	60	46	152	51.7	60	46	48	154
												13346	33	1	39.7	58.3	60	60	54	152	59.6	60	54	55	154
												14246	41.7	2	50.2	71.4	80	80	66	152	72.7	80	66	67	154
	575-3-60	5.7	38.9	9	5.7	38.9	9	2.2	3.4	0.4	8.6	None	-	-	-	20.1	25	25	22	118	20.9	25	25	22	120

ZYE04-12 Medium Static Indoor Blower - With Powered Convenience Outlet (Continued)

Size (Tons)	Nominal Unit Voltage	Compressor 1			Compressor 2			OD Fan Motors (each)	Supply Blower Motor	Pwr Exh Motor	Pwr Conv Outlet	Electric Heat Field Installed Kit 2EK045*				MCA ¹ (Amps)	Min Fuse ² /Breaker ³ Size (Amps)	Max Fuse ² /Breaker ³ Size (Amps)	Min Disconnect Rating ⁴		MCA ¹ w/Pwr (Amps)	Min Fuse ² /Breaker ³ Size w/ Pwr Exh (Amps)	Max Fuse ² /Breaker ³ Size w/ Pwr Exh (Amps)	Min Disconnect Rating ⁴ /Pwr Exh	
		RLA	LRA	MCC	RLA	LRA	MCC					Model	kW	Stages	Amps				FLA	LRA				FLA	LRA
With VFD																									
08 (7.5)	208-3-60	13.6	83.1	21	13.6	83.1	21	2.3	7	1.1	8.6	None	-	-	-	46.5	50	60	50	250	48.7	50	60	52	260
												11725	12	1	33.3	55.8	60	60	51	250	58.5	60	60	54	260
												12525	18.6	1	51.6	78.6	80	80	72	250	81.4	90	90	75	260
												13225	24	1	66.6	97.4	100	100	90	250	100.1	110	110	92	260
												14225	31.8	2	88.3	124.5	125	125	115	250	127.3	150	150	117	260
	230-3-60	13.6	83.1	21	13.6	83.1	21	2.3	7.2	1	8.6	None	-	-	-	46.7	50	60	50	252	48.7	50	60	52	247
												11725	16	1	38.5	62.5	70	70	58	252	65	70	70	60	247
												12525	24.8	1	59.7	89	90	90	82	252	91.5	100	100	84	247
												13225	32	1	77	110.6	125	125	102	252	113.1	125	125	104	247
												14225	42.4	2	102	141.9	150	150	131	252	144.4	150	150	133	247
	460-3-60	6.1	41	10	6.1	41	10	1.3	3.6	0.5	8.6	None	-	-	-	22.1	25	25	24	127	23.1	25	25	25	123
												11746	16.5	1	19.8	31.9	35	35	29	127	33.2	35	29	31	123
												12846	27.8	1	33.4	48.9	50	50	45	127	50.2	60	45	46	123
												13346	33	1	39.7	56.8	60	60	52	127	58.1	60	52	53	123
												14246	41.7	2	50.2	69.9	70	70	64	127	71.2	80	64	65	123
	575-3-60	4.2	33	7	4.2	33	7	1.1	2.5	0.4	8.6	None	-	-	-	15.9	20	20	17	95	16.7	20	20	18	92
09 (8.5)	208-3-60	13.7	83.1	21	13.7	83.1	21	2.3	7	1.1	8.6	None	-	-	-	46.7	50	60	50	250	48.9	50	60	52	260
												11725	12	1	33.3	55.8	60	60	51	250	58.5	60	60	54	260
												12525	18.6	1	51.6	78.6	80	80	72	250	81.4	90	90	75	260
												13225	24	1	66.6	97.4	100	100	90	250	100.1	110	110	92	260
												14225	31.8	2	88.3	124.5	125	125	115	250	127.3	150	150	117	260
	230-3-60	13.7	83.1	21	13.7	83.1	21	2.3	7.2	1	8.6	None	-	-	-	46.9	50	60	50	252	48.9	50	60	52	247
												11725	16	1	38.5	62.5	70	70	58	252	65	70	70	60	247
												12525	24.8	1	59.7	89	90	90	82	252	91.5	100	100	84	247
												13225	32	1	77	110.6	125	125	102	252	113.1	125	125	104	247
												14225	42.4	2	102	141.9	150	150	131	252	144.4	150	150	133	247
	460-3-60	6.2	41	10	6.2	41	10	1.3	3.6	0.5	8.6	None	-	-	-	22.4	25	25	24	127	23.4	25	25	25	123
												11746	16.5	1	19.8	31.9	35	35	29	127	33.2	35	29	31	123
												12846	27.8	1	33.4	48.9	50	50	45	127	50.2	60	45	46	123
												13346	33	1	39.7	56.8	60	60	52	127	58.1	60	52	53	123
												14246	41.7	2	50.2	69.9	70	70	64	127	71.2	80	64	65	123
	575-3-60	4.8	33	8	4.8	33	8	1.1	2.5	0.4	8.6	None	-	-	-	17.2	20	20	18	95	18	20	20	19	92
12 (10)	208-3-60	16	110	25	16	110	25	5.8	9.9	1.1	8.6	None	-	-	-	56	60	70	60	319	58.2	60	70	62	329
												11725	12	1	33.3	59.4	60	60	319	62.1	70	70	62	329	
												12525	18.6	1	51.6	82.3	90	90	76	319	85	90	90	78	329
												13225	24	1	66.6	101	110	110	93	319	103.8	110	110	95	329
												14225	31.8	2	88.3	128.1	150	150	118	319	130.9	150	150	120	329
	230-3-60	16	110	25	16	110	25	5.2	9.4	1	8.6	None	-	-	-	54.9	60	70	59	324	56.9	60	70	61	329
												11725	16	1	38.5	65.3	70	70	60	324	67.8	70	70	62	329
												12525	24.8	1	59.7	91.8	100	100	84	324	94.3	100	100	87	329
												13225	32	1	77	113.4	125	125	104	324	115.9	125	125	107	329
												14225	42.4	2	102	144.6	150	150	133	324	147.1	150	150	135	329
	460-3-60	7.8	52	12	7.8	52	12	2.9	4.7	0.5	8.6	None	-	-	-	27.4	30	35	29	157	28.4	30	35	30	160
												11746	16.5	1	19.8	33.3	35	35	31	157	34.6	35	31	32	160
												12846	27.8	1	33.4	50.3	60	60	46	157	51.6	60	46	47	160
												13346	33	1	39.7	58.2	60	60	54	157	59.4	60	54	55	160
												14246	41.7	2	50.2	71.3	80	80	66	157	72.6	80	66	67	160
	575-3-60	5.7	38.9	9	5.7	38.9	9	2.2	4.3	0.4	8.6	None	-	-	-	21	25	25	23	131	21.8	25	25	23	133

1. Minimum Circuit Ampacity.
2. Dual Element, Time Delay Type.
3. HACR type per NEC.
4. Non-fused Disconnect, Verify on the unit nameplate that the disconnect is properly sized for the application. Units with field installed electric heat kits may exceed the factory installed disconnect amperage rating.

ZYE04-12 High Static Indoor Blower - Without Powered Convenience Outlet

Size (Tons)	Nominal Unit Voltage	Compressor 1			Compressor 2			OD Fan Motors (each)	Supply Blower Motor	Pwr Exh Motor	Pwr Conv Outlet	Electric Heat Field Installed Kit 2EK045*			MCA ¹ (Amps)	Min Fuse ² / Breaker ³ Size (Amps)	Max Fuse ² / Breaker ³ Size (Amps)	Min Discon- nect Rating ⁴		MCA ¹ w/Pwr Exh (Amps)	Min Fuse ² / Breaker ³ Size w/ Pwr Exh (Amps)	Max Fuse ² / Breaker ³ Size w/ Pwr Exh (Amps)	Min Discon- nect Rating ⁴ / Pwr Exh			
		RLA	LRA	MCC	RLA	LRA	MCC					Model	kW	Stages				Amps	FLA				LRA	FLA	LRA	
04 (3)	208-3-60	10.4	73	16				1.4	5.2	1.1		None	-	-	-	19.6	20	30	20	99	20.7	25	30	21	101	
												10625	4.9	1	13.6	23.5	25	30	22	99	24.9	25	30	23	101	
												11125	7.9	1	21.9	33.9	35	35	31	99	35.3	40	40	32	101	
												11625	12	1	33.3	48.1	50	50	44	99	49.5	50	50	46	101	
	230-3-60	10.4	73	16				1.4	5.2	1			None	-	-	-	19.6	20	30	20	101	20.6	25	30	21	104
													10625	6.5	1	15.6	26	30	30	24	101	27.3	30	30	25	104
													11125	10.5	1	25.3	38.1	40	40	35	101	39.4	40	40	36	104
													11625	16	1	38.5	54.6	60	60	50	101	55.9	60	60	51	104
	460-3-60	5.8	38	9				0.8	2.6	0.5			None	-	-	-	10.7	15	15	11	52	11.2	15	15	11	54
													10646	6	1	7.2	12.3	15	15	11	52	12.9	15	11	12	54
													11146	11.5	1	13.8	20.5	25	25	19	52	21.1	25	19	19	54
													11446	14	1	16.8	24.3	25	25	22	52	24.9	25	22	23	54
575-3-60	3.8	36.5	6				0.6	2	0.4			None	-	-	-	7.4	15	15	7	48	7.8	15	15	8	49	
05 (4)	208-3-60	13.7	83.1	21				1.4	7.5	1.1		None	-	-	-	26	30	35	26	135	27.1	30	40	27	137	
												10625	4.9	1	13.6	26.4	30	35	26	135	27.8	30	40	27	137	
												11125	7.9	1	21.9	36.8	40	40	34	135	38.1	40	40	35	137	
												11625	12	1	33.3	51	60	60	47	135	52.4	60	60	48	137	
	230-3-60	13.7	83.1	21				1.4	7.5	1			None	-	-	-	26	30	35	26	141	27	30	40	27	144
													10625	6.5	1	15.6	28.9	30	35	27	141	30.1	35	40	28	144
													11125	10.5	1	25.3	41	45	45	38	141	42.3	45	45	39	144
													11625	16	1	38.5	57.5	60	60	53	141	58.8	60	60	54	144
	460-3-60	6.2	41	10				0.8	3.4	0.5			None	-	-	-	12	15	15	12	70	12.5	15	15	13	72
													10646	6	1	7.2	13.3	15	15	12	70	13.9	15	12	13	72
													11146	11.5	1	13.8	21.5	25	25	20	70	22.1	25	20	20	72
													11446	14	1	16.8	25.3	30	30	23	70	25.9	30	23	24	72
575-3-60	4.8	33	8				0.6	2.8	0.4			None	-	-	-	9.4	15	15	9	57	9.8	15	15	10	57	
06 (5)	208-3-60	15.9	110	25				2.3	8.9	1.1		None	-	-	-	31.1	35	45	31	192	32.2	35	45	32	194	
												10625	4.9	1	13.6	31.1	35	45	31	192	32.2	35	45	32	194	
												11125	7.9	1	21.9	38.5	40	45	35	192	39.9	40	45	37	194	
												11625	12	1	33.3	52.8	60	60	49	192	54.1	60	60	50	194	
	230-3-60	15.9	110	25				2.3	8.2	1			None	-	-	-	30.4	35	45	30	194	31.4	35	45	32	196
													10625	6.5	1	15.6	30.4	35	45	30	194	31.4	35	45	32	196
													11125	10.5	1	25.3	41.9	45	45	39	194	43.1	45	45	40	196
													11625	16	1	38.5	58.4	60	60	54	194	59.6	60	60	55	196
	460-3-60	7.1	52	11				1.3	4.1	0.5			None	-	-	-	14.3	15	20	14	89	14.8	15	20	15	91
													11146	6	1	7.2	14.3	15	20	13	89	14.8	15	13	14	91
													11146	11.5	1	13.8	22.4	25	25	21	89	23	25	21	21	91
													11446	14	1	16.8	26.1	30	30	24	89	26.8	30	24	25	91
575-3-60	5.1	39.5	8				1.1	3.2	0.4			None	-	-	-	10.7	15	15	11	68	11.1	15	15	11	69	
07 (6)	208-3-60	19	123	30				2.3	10.2	1.1		None	-	-	-	38.6	40	50	39	206	40.8	45	50	41	216	
												10625	4.9	1	13.6	38.6	40	50	39	212	40.6	45	50	41	216	
												11125	7.9	1	21.9	38.5	40	45	35	192	39.9	40	45	37	194	
												11625	12	1	33.3	52.8	60	60	49	192	54.1	60	60	50	194	
230-3-60	15.9	110	25				2.3	8.2	1			None	-	-	-	30.4	35	45	30	194	31.4	35	45	32	196	
												10625	6.5	1	15.6	30.4	35	45	30	194	31.4	35	45	32	196	
												11125	10.5	1	25.3	41.9	45	45	39	194	43.1	45	45	40	196	
												11625	16	1	38.5	58.4	60	60	54	194	59.6	60	60	55	196	
460-3-60	7.1	52	11				1.3	4.1	0.5			None	-	-	-	14.3	15	20	14	89	14.8	15	20	15	91	
												11146	6	1	7.2	14.3	15	20	13	89	14.8	15	13	14	91	
												11146	11.5	1	13.8	22.4	25	25	21	89	23	25	21	21	91	
												11446	14	1	16.8	26.1	30	30	24	89	26.8	30	24	25	91	
575-3-60	5.1	39.5	8				1.1	3.2	0.4			None	-	-	-	10.7	15	15	11	68	11.1	15	15	11	69	
08 (7.5)	208-3-60	13.6	83.1	21	13.6	83.1	21	2.3	10.2	1.1		None	-	-	-	45.4	50	50	48	249	47.6	50	60	51	259	
												11725	12	1	33.3	54.4	60	60	50	249	57.1	60	60	53	259	
												12525	18.6	1	51.6	77.3	80	80	71	249	80	90	90	74	259	
												13225	24	1	66.6	96	100	100	88	249	98.8	100	100	91	259	
	230-3-60	13.6	83.1	21	13.6	83.1	21	2.3	10.2	1			None	-	-	-	45.4	50	50	48	255	47.4	50	60	51	250
													11725	16	1	38.5	60.9	70	70	56	255	63.4	70	70	58	250
													12525	24.8	1	59.7	87.4	90	90	80	255	89.9	90	90	83	250
													13225	32	1	77	109	110	110	100	255	111.5	125	125	103	250
	460-3-60	6.1	41	10	6.1	41	10	1.3	4.8	0.5			None	-	-	-	21.1	25	25	23	128	22.1	25	25	24	125
													11746	16.5	1	19.8	30.8	35	35	28	128	32	35	28	29	125
													12846	27.8	1	33.4	47.8	50	50	44	128	49	50	44	45	125
													13346	33	1	39.7	55.6	60	60	51	128	56.9	60	51	52	125
575-3-60	4.2	33	7	4.2	33	7	1.1	3.4	0.4			None	-	-	-	15.1	20	20	16	103	15.9	20	20	17	100	

ZYE04-12 High Static Indoor Blower - Without Powered Convenience Outlet (Continued)

Size (Tons)	Nominal Unit Voltage	Compressor 1			Compressor 2			OD Fan Motors (each)	Supply Blower Motor	Pwr Exh Motor	Pwr Conv Outlet	Electric Heat Field Installed Kit 2EK045*				MCA ¹ (Amps)	Min Fuse ² / Breaker ³ Size (Amps)	Max Fuse ² / Breaker ³ Size (Amps)	Min Discon-nect Rating ⁴		MCA ¹ w/Pwr Exh (Amps)	Min Fuse ² / Breaker ³ Size w/ Pwr Exh (Amps)	Max Fuse ² / Breaker ³ Size w/ Pwr Exh (Amps)	Min Discon-nect Rating ⁴ / Pwr Exh				
		RLA	LRA	MCC	RLA	LRA	MCC					Model	kW	Stages	Amps				FLA	LRA				FLA	LRA			
09 (8.5)	208-3-60	13.7	83.1	21	13.7	83.1	21	2.3	10.2	1.1		None	-	-	-	45.6	50	50	49	249	47.8	50	60	51	259			
												11725	12	1	33.3	54.4	60	60	50	249	57.1	60	60	53	259			
												12525	18.6	1	51.6	77.3	80	80	71	249	80	90	90	74	259			
												13225	24	1	66.6	96	100	100	88	249	98.8	100	100	91	259			
												14225	31.8	2	88.3	123.1	125	125	113	249	125.9	150	150	116	259			
	230-3-60	13.7	83.1	21	13.7	83.1	21	2.3	10.2	1			None	-	-	-	45.6	50	50	49	255	47.6	50	60	51	250		
													11725	16	1	38.5	60.9	70	70	56	255	63.4	70	70	58	250		
													12525	24.8	1	59.7	87.4	90	90	80	255	89.9	90	90	83	250		
													13225	32	1	77	109	110	110	100	255	111.5	125	125	103	250		
													14225	42.4	2	102	140.3	150	150	129	255	142.8	150	150	131	250		
	460-3-60	6.2	41	10	6.2	41	10	1.3	4.8	0.5			None	-	-	-	21.4	25	25	23	128	22.4	25	25	24	125		
													11746	16.5	1	19.8	30.8	35	35	28	128	32	35	28	29	125		
													12846	27.8	1	33.4	47.8	50	50	44	128	49	50	44	45	125		
													13346	33	1	39.7	55.6	60	60	51	128	56.9	60	51	52	125		
													14246	41.7	2	50.2	68.8	70	70	63	128	70	70	63	64	125		
575-3-60	4.8	33	8	4.8	33	8	1.1	3.4	0.4			None	-	-	-	16.4	20	20	17	103	17.2	20	20	18	100			
12 (10)	208-3-60	16	110	25	16	110	25	5.8	14.9	1.1		None	-	-	-	56.7	60	70	61	323	58.9	60	70	63	333			
												11725	12	1	33.3	60.3	70	70	61	323	63	70	70	63	333			
												12525	18.6	1	51.6	83.1	90	90	76	323	85.9	90	90	79	333			
												13225	24	1	66.6	101.9	110	110	94	323	104.6	110	110	96	333			
												14225	31.8	2	88.3	129	150	150	119	323	131.8	150	150	121	333			
	230-3-60	16	110	25	16	110	25	5.2	15	1			None	-	-	-	56.2	60	70	60	322	58.2	60	70	62	327		
													11725	16	1	38.5	66.9	70	70	62	322	69.4	70	70	64	327		
													12525	24.8	1	59.7	93.4	100	100	86	322	95.9	100	100	88	327		
													13225	32	1	77	115	125	125	106	322	117.5	125	125	108	327		
													14225	42.4	2	102	146.3	150	150	135	322	148.8	150	150	137	327		
	460-3-60	7.8	52	12	7.8	52	12	2.9	7.5	0.5			None	-	-	-	28	30	35	30	159	29	30	35	31	161		
													11746	16.5	1	19.8	34.1	35	35	31	159	35.4	40	31	33	161		
													12846	27.8	1	33.4	51.1	60	60	47	159	52.4	60	47	48	161		
													13346	33	1	39.7	59	60	60	54	159	60.3	70	54	55	161		
													14246	41.7	2	50.2	72.1	80	80	66	159	73.4	80	66	68	161		
575-3-60	5.7	38.9	9	5.7	38.9	9	2.2	5.6	0.4			None	-	-	-	20.6	25	25	22	124	21.4	25	25	23	126			
With VFD																												
08 (7.5)	208-3-60	13.6	83.1	21	13.6	83.1	21	2.3	9.9	1.1		None	-	-	-	45.1	50	50	48	258	47.3	50	50	50	268			
												11725	12	1	33.3	54	60	60	50	258	56.8	60	60	52	268			
												12525	18.6	1	51.6	76.9	80	80	71	258	79.6	80	80	73	268			
												13225	24	1	66.6	95.6	100	100	88	258	98.4	100	100	91	268			
												14225	31.8	2	88.3	122.8	125	125	113	258	125.5	150	150	115	268			
	230-3-60	13.6	83.1	21	13.6	83.1	21	2.3	9.4	1			None	-	-	-	44.6	45	50	47	267	46.6	50	60	50	261		
													11725	16	1	38.5	59.9	60	60	55	267	62.4	70	70	57	261		
													12525	24.8	1	59.7	86.4	90	90	79	267	88.9	90	90	82	261		
													13225	32	1	77	108	110	110	99	267	110.5	125	125	102	261		
													14225	42.4	2	102	139.3	150	150	128	267	141.8	150	150	130	261		
	460-3-60	6.1	41	10	6.1	41	10	1.3	4.7	0.5			None	-	-	-	21	25	25	22	134	22	25	25	24	130		
													11746	16.5	1	19.8	30.6	35	35	28	134	31.9	35	28	29	130		
													12846	27.8	1	33.4	47.6	50	50	44	134	48.9	50	44	45	130		
													13346	33	1	39.7	55.5	60	60	51	134	56.8	60	51	52	130		
													14246	41.7	2	50.2	68.6	70	70	63	134	69.9	70	63	64	130		
575-3-60	4.2	33	7	4.2	33	7	1.1	4.3	0.4			None	-	-	-	16	20	20	17	115	16.8	20	20	18	113			

ZYE04-12 High Static Indoor Blower - Without Powered Convenience Outlet (Continued)

Size (Tons)	Nominal Unit Voltage	Compressor 1			Compressor 2			OD Fan Motors (each)	Supply Blower Motor	Pwr Exh Motor	Pwr Conv Outlet	Electric Heat Field Installed Kit 2EK045*			MCA ¹ (Amps)	Min Fuse ² / Breaker ³ Size (Amps)	Max Fuse ² / Breaker ³ Size (Amps)	Min Disconnect Rating ⁴		MCA ¹ w/Pwr Exh (Amps)	Min Fuse ² / Breaker ³ Size w/ Pwr Exh (Amps)	Max Fuse ² / Breaker ³ Size w/ Pwr Exh (Amps)	Min Disconnect Rating ⁴ / Pwr Exh			
		RLA	LRA	MCC	RLA	LRA	MCC					Model	kW	Stages				Amps	FLA				LRA	FLA	LRA	
09 (8.5)	208-3-60	13.7	83.1	21	13.7	83.1	21	2.3	9.9	1.1		None	-	-	-	45.3	50	50	48	258	47.5	50	60	51	268	
												11725	12	1	33.3	54	60	60	50	258	56.8	60	60	52	268	
												12525	18.6	1	51.6	76.9	80	80	71	258	79.6	80	80	73	268	
												13225	24	1	66.6	95.6	100	100	88	258	98.4	100	100	91	268	
												14225	31.8	2	88.3	122.8	125	125	113	258	125.5	150	150	115	268	
	230-3-60	13.7	83.1	21	13.7	83.1	21	2.3	9.4	1			None	-	-	-	44.8	45	50	48	267	46.8	50	60	50	261
													11725	16	1	38.5	59.9	60	60	55	267	62.4	70	70	57	261
													12525	24.8	1	59.7	86.4	90	90	79	267	88.9	90	90	82	261
													13225	32	1	77	108	110	110	99	267	110.5	125	125	102	261
													14225	42.4	2	102	139.3	150	150	128	267	141.8	150	150	130	261
	460-3-60	6.2	41	10	6.2	41	10	1.3	4.7	0.5			None	-	-	-	21.3	25	25	23	134	22.3	25	25	24	130
													11746	16.5	1	19.8	30.6	35	35	28	134	31.9	35	28	29	130
12846													27.8	1	33.4	47.6	50	50	44	134	48.9	50	44	45	130	
13346													33	1	39.7	55.5	60	60	51	134	56.8	60	51	52	130	
14246													41.7	2	50.2	68.6	70	70	63	134	69.9	70	63	64	130	
575-3-60	4.8	33	8	4.8	33	8	1.1	4.3	0.4			None	-	-	-	17.3	20	20	19	115	18.1	20	20	19	113	
12 (10)	208-3-60	16	110	25	16	110	25	5.8	13.5	1.1		None	-	-	-	55.3	60	70	59	345	57.5	60	70	62	355	
												11725	12	1	33.3	58.5	60	70	59	345	61.3	70	70	62	355	
												12525	18.6	1	51.6	81.4	90	90	75	345	84.1	90	90	77	355	
												13225	24	1	66.6	100.1	110	110	92	345	102.9	110	110	95	355	
												14225	31.8	2	88.3	127.3	150	150	117	345	130	150	150	120	355	
	230-3-60	16	110	25	16	110	25	5.2	13.4	1			None	-	-	-	54.6	60	70	58	341	56.6	60	70	60	346
													11725	16	1	38.5	64.9	70	70	60	341	67.4	70	70	62	346
													12525	24.8	1	59.7	91.4	100	100	84	341	93.9	100	100	86	346
													13225	32	1	77	113	125	125	104	341	115.5	125	125	106	346
													14225	42.4	2	102	144.3	150	150	133	341	146.8	150	150	135	346
	460-3-60	7.8	52	12	7.8	52	12	2.9	6.7	0.5			None	-	-	-	27.2	30	30	29	166	28.2	30	30	30	168
													11746	16.5	1	19.8	33.1	35	35	30	166	34.4	35	30	32	168
													12846	27.8	1	33.4	50.1	60	60	46	166	51.4	60	46	47	168
													13346	33	1	39.7	58	60	60	53	166	59.3	60	53	55	168
													14246	41.7	2	50.2	71.1	80	80	65	166	72.4	80	65	67	168
	575-3-60	5.7	38.9	9	5.7	38.9	9	2.2	5.4	0.4			None	-	-	-	20.4	25	25	22	129	21.2	25	25	23	131

1. Minimum Circuit Ampacity.
2. Dual Element, Time Delay Type.
3. HACR type per NEC.
4. Non-fused Disconnect, Verify on the unit nameplate that the disconnect is properly sized for the application. Units with field installed electric heat kits may exceed the factory installed disconnect amperage rating.

ZYE04-12 High Static Indoor Blower - With Powered Convenience Outlet

Size (Tons)	Nominal Unit Voltage	Compressor 1			Compressor 2			OD Fan Motors (each)	Supply Blower Motor	Pwr Exh Motor	Pwr Conv Outlet	Electric Heat Field Installed Kit 2EK045*			MCA ¹ (Amps)	Min Fuse ² / Breaker ³ Size (Amps)	Max Fuse ² / Breaker ³ Size (Amps)	Min Disconnect Rating ⁴		MCA ¹ w/Pwr Exh (Amps)	Min Fuse ² / Breaker ³ Size w/ Pwr Exh (Amps)	Max Fuse ² / Breaker ³ Size w/ Pwr Exh (Amps)	Min Disconnect Rating ⁴ / Pwr Exh		
		RLA	LRA	MCC	RLA	LRA	MCC					Model	kW	Stages				Amps	FLA				LRA	FLA	LRA
04 (3)	208-3-60	10.4	73	16				1.4	5.2	1.1	8.6	None	-	-	-	23.9	25	30	24	103	25	35	26	105	
												10625	4.9	1	13.6	28.9	30	30	27	103	30.3	35	35	28	105
												11125	7.9	1	21.9	39.3	40	40	36	103	40.6	45	45	37	105
												11625	12	1	33.3	53.5	60	60	49	103	54.9	60	60	50	105
	230-3-60	10.4	73	16				1.4	5.2	1	8.6	None	-	-	-	23.9	25	30	24	106	24.9	25	35	26	108
												10625	6.5	1	15.6	31.4	35	35	29	106	32.6	35	35	30	108
												11125	10.5	1	25.3	43.5	45	45	40	106	44.8	45	45	41	108
												11625	16	1	38.5	60	60	60	55	106	61.3	70	70	56	108
	460-3-60	5.8	38	9				0.8	2.6	0.5	8.6	None	-	-	-	12.9	15	15	13	55	13.4	15	15	14	56
												10646	6	1	7.2	14.9	15	15	14	55	15.6	20	14	14	56
												11146	11.5	1	13.8	23.2	25	25	21	55	23.8	25	21	22	56
												11446	14	1	16.8	26.9	30	30	25	55	27.6	30	25	25	56
575-3-60	3.8	36.5	6				0.6	2	0.4	8.6	None	-	-	-	9.1	15	15	9	50	9.5	15	15	10	51	
05 (4)	208-3-60	13.7	83.1	21				1.4	7.5	1.1	8.6	None	-	-	-	30.3	35	40	31	139	31.4	35	45	32	142
												10625	4.9	1	13.6	31.8	35	40	31	139	33.1	35	45	32	142
												11125	7.9	1	21.9	42.1	45	45	39	139	43.5	45	45	40	142
												11625	12	1	33.3	56.4	60	60	52	139	57.8	60	60	53	142
	230-3-60	13.7	83.1	21				1.4	7.5	1	8.6	None	-	-	-	30.3	35	40	31	146	31.3	35	45	32	148
												10625	6.5	1	15.6	34.3	35	40	32	146	35.5	40	45	33	148
												11125	10.5	1	25.3	46.4	50	50	43	146	47.6	50	50	44	148
												11625	16	1	38.5	62.9	70	70	58	146	64.1	70	70	59	148
	460-3-60	6.2	41	10				0.8	3.4	0.5	8.6	None	-	-	-	14.2	15	20	14	73	14.7	15	20	15	74
												10646	6	1	7.2	15.9	20	20	15	73	16.6	20	15	15	74
												11146	11.5	1	13.8	24.2	25	25	22	73	24.8	25	22	23	74
												11446	14	1	16.8	27.9	30	30	26	73	28.6	30	26	26	74
575-3-60	4.8	33	8				0.6	2.8	0.4	8.6	None	-	-	-	11.1	15	15	11	58	11.5	15	15	12	59	
06 (5)	208-3-60	15.9	110	25				2.3	8.9	1.1	8.6	None	-	-	-	35.4	40	50	36	196	36.5	40	50	37	198
												10625	4.9	1	13.6	35.4	40	50	36	196	36.5	40	50	37	198
												11125	7.9	1	21.9	43.9	45	50	40	196	45.3	50	50	42	198
												11625	12	1	33.3	58.1	60	60	53	196	59.5	60	60	55	198
	230-3-60	15.9	110	25				2.3	8.2	1	8.6	None	-	-	-	34.7	35	50	35	198	35.7	40	50	36	201
												10625	6.5	1	15.6	35.1	40	50	35	198	36.4	40	50	36	201
												11125	10.5	1	25.3	47.3	50	50	43	198	48.5	50	50	45	201
												11625	16	1	38.5	63.8	70	70	59	198	65	70	70	60	201
	460-3-60	7.1	52	11				1.3	4.1	0.5	8.6	None	-	-	-	16.5	20	20	17	92	17	20	20	17	93
												11146	6	1	7.2	16.8	20	20	15	92	17.4	20	15	16	93
												11146	11.5	1	13.8	25.1	30	30	23	92	25.7	30	23	24	93
												11446	14	1	16.8	28.8	30	30	27	92	29.4	30	27	27	93
575-3-60	5.1	39.5	8				1.1	3.2	0.4	8.6	None	-	-	-	12.4	15	15	13	70	12.8	15	15	13	71	
07 (6)	208-3-60	19	123	30				2.3	10.2	1.1	8.6	None	-	-	-	42.9	45	60	44	210	45.1	50	60	46	220
												10625	4.9	1	13.6	42.9	45	60	44	210	44.9	45	60	46	211
												11125	7.9	1	21.9	43.9	45	60	44	210	45.3	50	50	42	211
												11625	12	1	33.3	58.1	60	60	53	196	59.5	60	60	55	198
230-3-60	19	123	30				2.3	10.2	1	8.6	None	-	-	-	42.9	45	60	44	216	44.9	45	60	46	211	
											10625	4.9	1	13.6	42.9	45	60	44	216	44.9	45	60	46	211	
											11125	7.9	1	21.9	43.9	45	60	44	216	45.3	50	50	42	211	
											11625	12	1	33.3	58.1	60	60	53	196	59.5	60	60	55	198	
460-3-60	9.7	62	15				1.3	4.8	0.5	8.6	None	-	-	-	21.7	25	30	22	110	22.7	25	30	23	107	
											10625	4.9	1	13.6	42.9	45	60	44	216	44.9	45	60	46	211	
											11125	7.9	1	21.9	43.9	45	60	44	216	45.3	50	50	42	211	
											11625	12	1	33.3	58.1	60	60	53	196	59.5	60	60	55	198	
575-3-60	7.4	50	12				1.1	3.4	0.4	8.6	None	-	-	-	16.6	20	20	17	89	17.4	20	20	18	86	
08 (7.5)	208-3-60	13.6	83.1	21	13.6	83.1	21	2.3	10.2	1.1	8.6	None	-	-	-	49.7	50	60	53	253	51.9	60	60	56	263
												11725	12	1	33.3	59.8	60	60	55	253	62.5	70	70	58	263
												12525	18.6	1	51.6	82.6	90	90	76	253	85.4	90	90	79	263
												13225	24	1	66.6	101.4	110	110	93	253	104.1	110	110	96	263
	230-3-60	13.6	83.1	21	13.6	83.1	21	2.3	10.2	1	8.6	None	-	-	-	49.7	50	60	53	260	51.7	60	60	56	254
												11725	16	1	38.5	66.3	70	70	61	260	68.8	70	70	63	254
												12525	24.8	1	59.7	92.8	100	100	85	260	95.3	100	100	88	254
												13225	32	1	77	114.4	125	125	105	260	116.9	125	125	108	254
	460-3-60	6.1	41	10	6.1	41	10	1.3	4.8	0.5	8.6	None	-	-	-	23.3	25	25	25	130	24.3	25	25	26	127
												11746	16.5	1	19.8	33.4	35	35	31	130	34.7	35	31	32	127
												12846	27.8	1	33.4	50.4	60	60	46	130	51.7	60	46	48	127
												13346	33	1	39.7	58.3	60	60	54	130	59.6	60	54	55	127
575-3-60	4.2	33	7	4.2	33	7	1.1	3.4	0.4	8.6	None	-	-	-	16.8	20	20	18	105	17.6	20	20	19	102	

ZYE04-12 High Static Indoor Blower - With Powered Convenience Outlet (Continued)

Size (Tons)	Nominal Unit Voltage	Compressor 1			Compressor 2			OD Fan Motors (each)	Supply Blower Motor	Pwr Exh Motor	Pwr Conv Outlet	Electric Heat Field Installed Kit 2EK045*				MCA ¹ (Amps)	Min Fuse ² /Breaker ³ Size (Amps)	Max Fuse ² /Breaker ³ Size (Amps)	Min Discon-nect Rating ⁴		MCA ¹ w/Pwr Exh (Amps)	Min Fuse ² /Breaker ³ Size w/ Pwr Exh (Amps)	Max Fuse ² /Breaker ³ Size w/ Pwr Exh (Amps)	Min Discon-nect Rating ⁴ w/ Pwr Exh					
		RLA	LRA	MCC	RLA	LRA	MCC					Model	kW	Stages	Amps				FLA	LRA				FLA	LRA				
09 (8.5)	208-3-60	13.7	83.1	21	13.7	83.1	21	2.3	10.2	1.1	8.6	None	-	-	-	49.9	50	60	53	253	52.1	60	60	56	263				
												11725	12	1	33.3	59.8	60	60	55	253	62.5	70	70	58	263				
												12525	18.6	1	51.6	82.6	90	90	76	253	85.4	90	90	79	263				
												13225	24	1	66.6	101.4	110	110	93	253	104.1	110	110	96	263				
												14225	31.8	2	88.3	128.5	150	150	118	253	131.3	150	150	121	263				
	230-3-60	13.7	83.1	21	13.7	83.1	21	2.3	10.2	1	8.6	None	-	-	-	49.9	50	60	53	260	51.9	60	60	56	254				
												11725	16	1	38.5	66.3	70	70	61	260	68.8	70	70	63	254				
												12525	24.8	1	59.7	92.8	100	100	85	260	95.3	100	100	88	254				
												13225	32	1	77	114.4	125	125	105	260	116.9	125	125	108	254				
	460-3-60	6.2	41	10	6.2	41	10	1.3	4.8	0.5	8.6	None	-	-	-	23.6	25	25	25	130	24.6	25	25	26	127				
												11746	16.5	1	19.8	33.4	35	35	31	130	34.7	35	31	32	127				
												12846	27.8	1	33.4	50.4	60	60	46	130	51.7	60	46	48	127				
13346												33	1	39.7	58.3	60	60	54	130	59.6	60	54	55	127					
14246												41.7	2	50.2	71.4	80	80	66	130	72.7	80	66	67	127					
575-3-60	4.8	33	8	4.8	33	8	1.1	3.4	0.4	8.6	None	-	-	-	18.1	20	20	19	105	18.9	20	20	20	102					
12 (10)	208-3-60	16	110	25	16	110	25	5.8	14.9	1.1	8.6	None	-	-	-	61	70	70	66	328	63.2	70	70	68	338				
												11725	12	1	33.3	65.6	70	70	66	328	68.4	70	70	68	338				
												12525	18.6	1	51.6	88.5	90	90	81	328	91.3	100	100	84	338				
												13225	24	1	66.6	107.3	110	110	99	328	110	125	125	101	338				
												14225	31.8	2	88.3	134.4	150	150	124	328	137.1	150	150	126	338				
	230-3-60	16	110	25	16	110	25	5.2	15	1	8.6	None	-	-	-	60.5	70	70	65	326	62.5	70	70	67	331				
												11725	16	1	38.5	72.3	80	80	66	326	74.8	80	80	69	331				
												12525	24.8	1	59.7	98.8	100	100	91	326	101.3	110	110	93	331				
												13225	32	1	77	120.4	125	125	111	326	122.9	125	125	113	331				
	460-3-60	7.8	52	12	7.8	52	12	2.9	7.5	0.5	8.6	None	-	-	-	30.2	35	35	32	161	31.2	35	35	34	163				
												11746	16.5	1	19.8	36.8	40	40	34	161	38.1	40	34	35	163				
												12846	27.8	1	33.4	53.8	60	60	50	161	55.1	60	50	51	163				
13346												33	1	39.7	61.7	70	70	57	161	62.9	70	57	58	163					
14246												41.7	2	50.2	74.8	80	80	69	161	76.1	80	69	70	163					
575-3-60	5.7	38.9	9	5.7	38.9	9	2.2	5.6	0.4	8.6	None	-	-	-	22.3	25	25	24	126	23.1	25	25	25	128					
With VFD																													
08 (7.5)	208-3-60	13.6	83.1	21	13.6	83.1	21	2.3	9.9	1.1	8.6	None	-	-	-	49.4	50	60	53	262	51.6	60	60	55	272				
												11725	12	1	33.3	59.4	60	60	55	262	62.1	70	70	57	272				
												12525	18.6	1	51.6	82.3	90	90	76	262	85	90	90	78	272				
												13225	24	1	66.6	101	110	110	93	262	103.8	110	110	95	272				
												14225	31.8	2	88.3	128.1	150	150	118	262	130.9	150	150	120	272				
	230-3-60	13.6	83.1	21	13.6	83.1	21	2.3	9.4	1	8.6	None	-	-	-	48.9	50	60	52	271	50.9	60	60	55	266				
												11725	16	1	38.5	65.3	70	70	60	271	67.8	70	70	62	266				
												12525	24.8	1	59.7	91.8	100	100	84	271	94.3	100	100	87	266				
												13225	32	1	77	113.4	125	125	104	271	115.9	125	125	107	266				
	460-3-60	6.1	41	10	6.1	41	10	1.3	4.7	0.5	8.6	None	-	-	-	23.2	25	25	25	136	24.2	25	25	25	132				
												11746	16.5	1	19.8	33.3	35	35	31	136	34.6	35	31	32	132				
												12846	27.8	1	33.4	50.3	60	60	46	136	51.6	60	46	47	132				
13346												33	1	39.7	58.2	60	60	54	136	59.4	60	54	55	132					
14246												41.7	2	50.2	71.3	80	80	66	136	72.6	80	66	67	132					
575-3-60	4.2	33	7	4.2	33	7	1.1	4.3	0.4	8.6	None	-	-	-	17.7	20	20	19	117	18.5	20	20	20	114					

ZYE04-12 High Static Indoor Blower - With Powered Convenience Outlet (Continued)

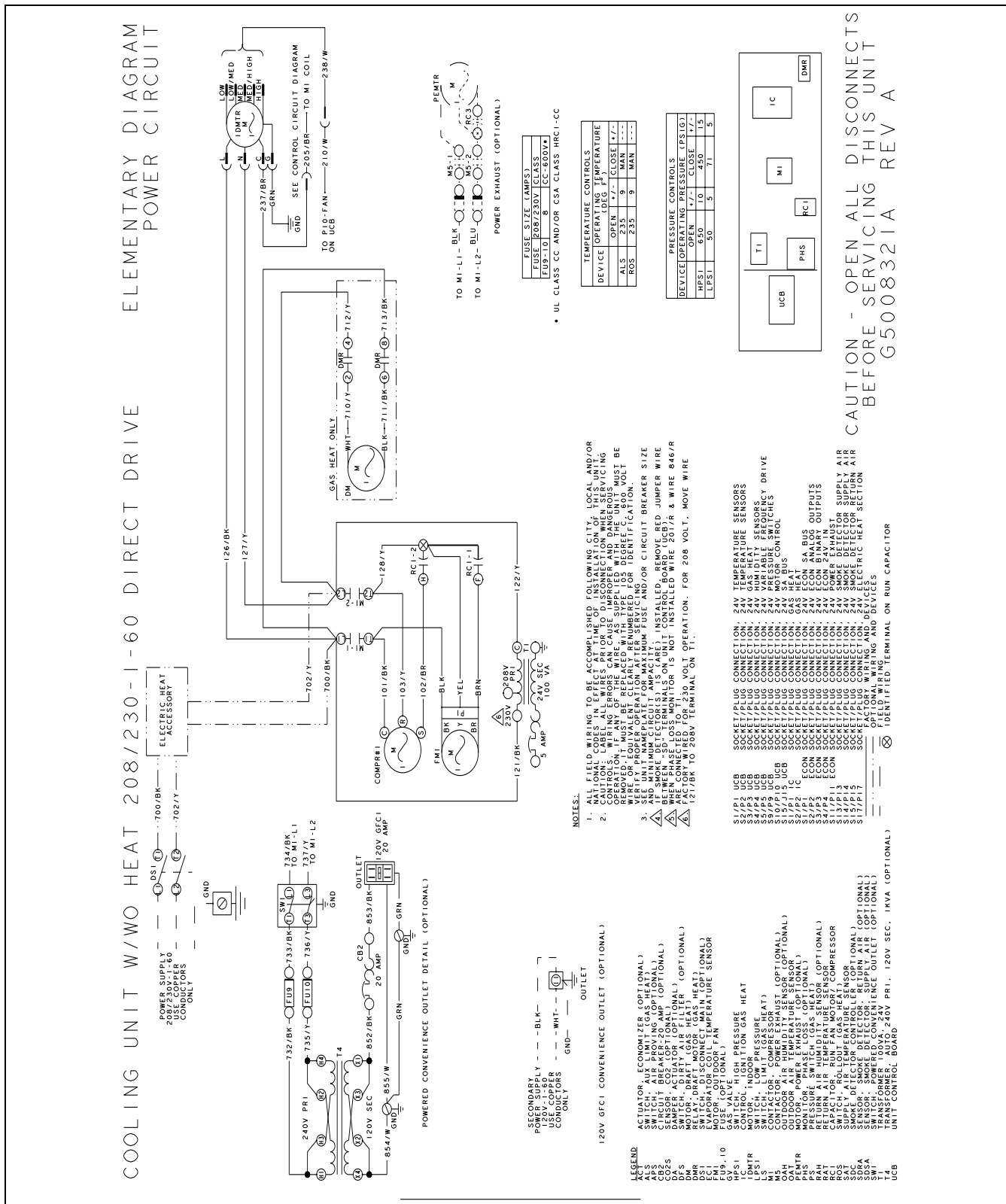
Size (Tons)	Nominal Unit Voltage	Compressor 1			Compressor 2			OD Fan Motors (each)	Supply Blower Motor	Pwr Exh Motor	Pwr Conv Outlet	Electric Heat Field Installed Kit 2EK045*				MCA ¹ (Amps)	Min Fuse ² / Breaker ³ Size (Amps)	Max Fuse ² / Breaker ³ Size (Amps)	Min Disconnect Rating ⁴		MCA ¹ w/Pwr Exh (Amps)	Min Fuse ² / Breaker ³ Size w/ Pwr Exh (Amps)	Max Fuse ² / Breaker ³ Size w/ Pwr Exh (Amps)	Min Disconnect Rating ⁴ / Pwr Exh	
		RLA	LRA	MCC	RLA	LRA	MCC					Model	kW	Stages	Amps				FLA	LRA				FLA	LRA
09 (8.5)	208-3-60	13.7	83.1	21	13.7	83.1	21	2.3	9.9	1.1	8.6	None	-	-	-	49.6	50	60	53	262	51.8	60	60	56	272
												11725	12	1	33.3	59.4	60	60	55	262	62.1	70	70	57	272
												12525	18.6	1	51.6	82.3	90	90	76	262	85	90	90	78	272
												13225	24	1	66.6	101	110	110	93	262	103.8	110	110	95	272
												14225	31.8	2	88.3	128.1	150	150	118	262	130.9	150	150	120	272
	230-3-60	13.7	83.1	21	13.7	83.1	21	2.3	9.4	1	8.6	None	-	-	-	49.1	50	60	53	271	51.1	60	60	55	266
												11725	16	1	38.5	65.3	70	70	60	271	67.8	70	70	62	266
												12525	24.8	1	59.7	91.8	100	100	84	271	94.3	100	100	87	266
												13225	32	1	77	113.4	125	125	104	271	115.9	125	125	107	266
												14225	42.4	2	102	144.6	150	150	133	271	147.1	150	150	135	266
	460-3-60	6.2	41	10	6.2	41	10	1.3	4.7	0.5	8.6	None	-	-	-	23.5	25	25	25	136	24.5	25	25	26	132
												11746	16.5	1	19.8	33.3	35	35	31	136	34.6	35	31	32	132
												12846	27.8	1	33.4	50.3	60	60	46	136	51.6	60	46	47	132
												13346	33	1	39.7	58.2	60	60	54	136	59.4	60	54	55	132
												14246	41.7	2	50.2	71.3	80	80	66	136	72.6	80	66	67	132
575-3-60	4.8	33	8	4.8	33	8	1.1	4.3	0.4	8.6	None	-	-	-	19	20	20	20	117	19.8	20	20	21	114	
12 (10)	208-3-60	16	110	25	16	110	25	5.8	13.5	1.1	8.6	None	-	-	-	59.6	60	70	64	349	61.8	70	70	66	359
												11725	12	1	33.3	63.9	70	70	64	349	66.6	70	70	66	359
												12525	18.6	1	51.6	86.8	90	90	80	349	89.5	90	90	82	359
												13225	24	1	66.6	105.5	110	110	97	349	108.3	110	110	100	359
												14225	31.8	2	88.3	132.6	150	150	122	349	135.4	150	150	125	359
	230-3-60	16	110	25	16	110	25	5.2	13.4	1	8.6	None	-	-	-	58.9	60	70	63	345	60.9	70	70	65	350
												11725	16	1	38.5	70.3	80	80	65	345	72.8	80	80	67	350
												12525	24.8	1	59.7	96.8	100	100	89	345	99.3	100	100	91	350
												13225	32	1	77	118.4	125	125	109	345	120.9	125	125	111	350
												14225	42.4	2	102	149.6	150	150	138	345	152.1	175	175	140	350
	460-3-60	7.8	52	12	7.8	52	12	2.9	6.7	0.5	8.6	None	-	-	-	29.4	30	35	32	168	30.4	35	35	33	170
												11746	16.5	1	19.8	35.8	40	40	33	168	37.1	40	33	34	170
												12846	27.8	1	33.4	52.8	60	60	49	168	54.1	60	49	50	170
												13346	33	1	39.7	60.7	70	70	56	168	61.9	70	56	57	170
												14246	41.7	2	50.2	73.8	80	80	68	168	75.1	80	68	69	170
575-3-60	5.7	38.9	9	5.7	38.9	9	2.2	5.4	0.4	8.6	None	-	-	-	22.1	25	25	24	131	22.9	25	25	25	133	

1. Minimum Circuit Ampacity.
2. Dual Element, Time Delay Type.
3. HACR type per NEC.
4. Non-fused Disconnect, Verify on the unit nameplate that the disconnect is properly sized for the application. Units with field installed electric heat kits may exceed the factory installed disconnect amperage rating.

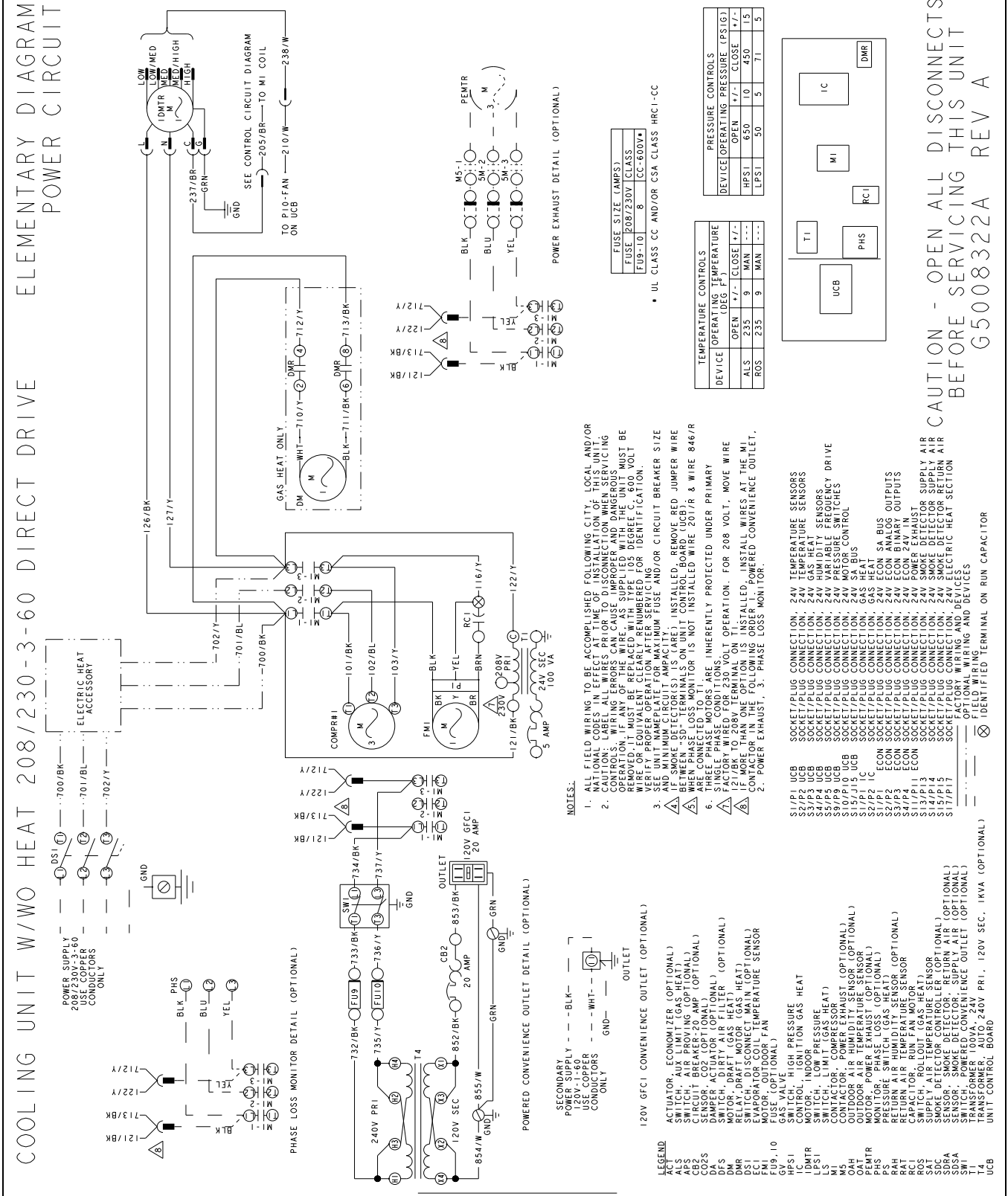
Typical Wiring Diagrams

ZX/ZY04-14 Typical Wiring Diagrams

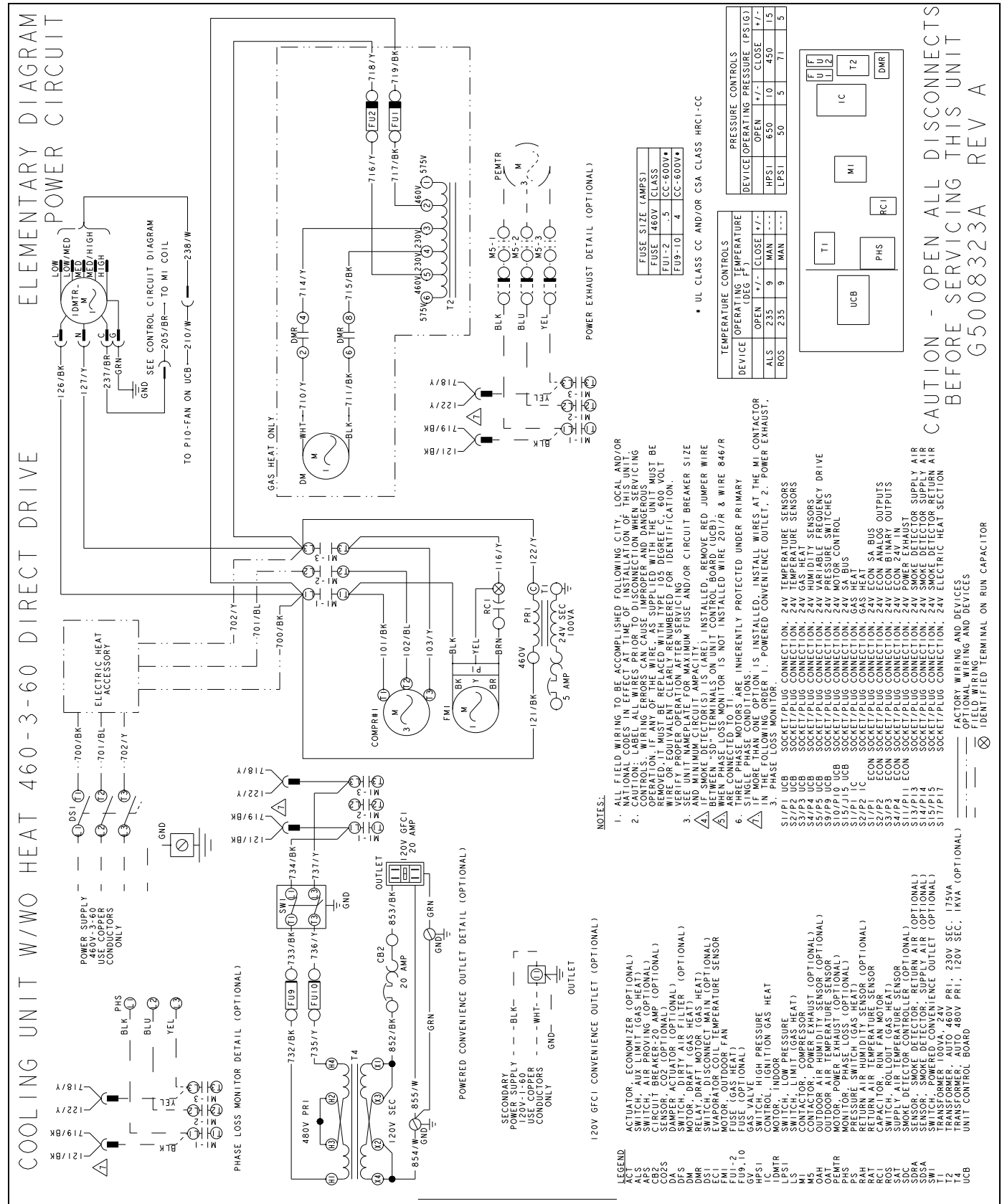
Typical ZX/ZY04-06 Cooling Unit w/w Gas Heat 208/230-1-60 Direct Drive Elementary Diagram Power Circuit



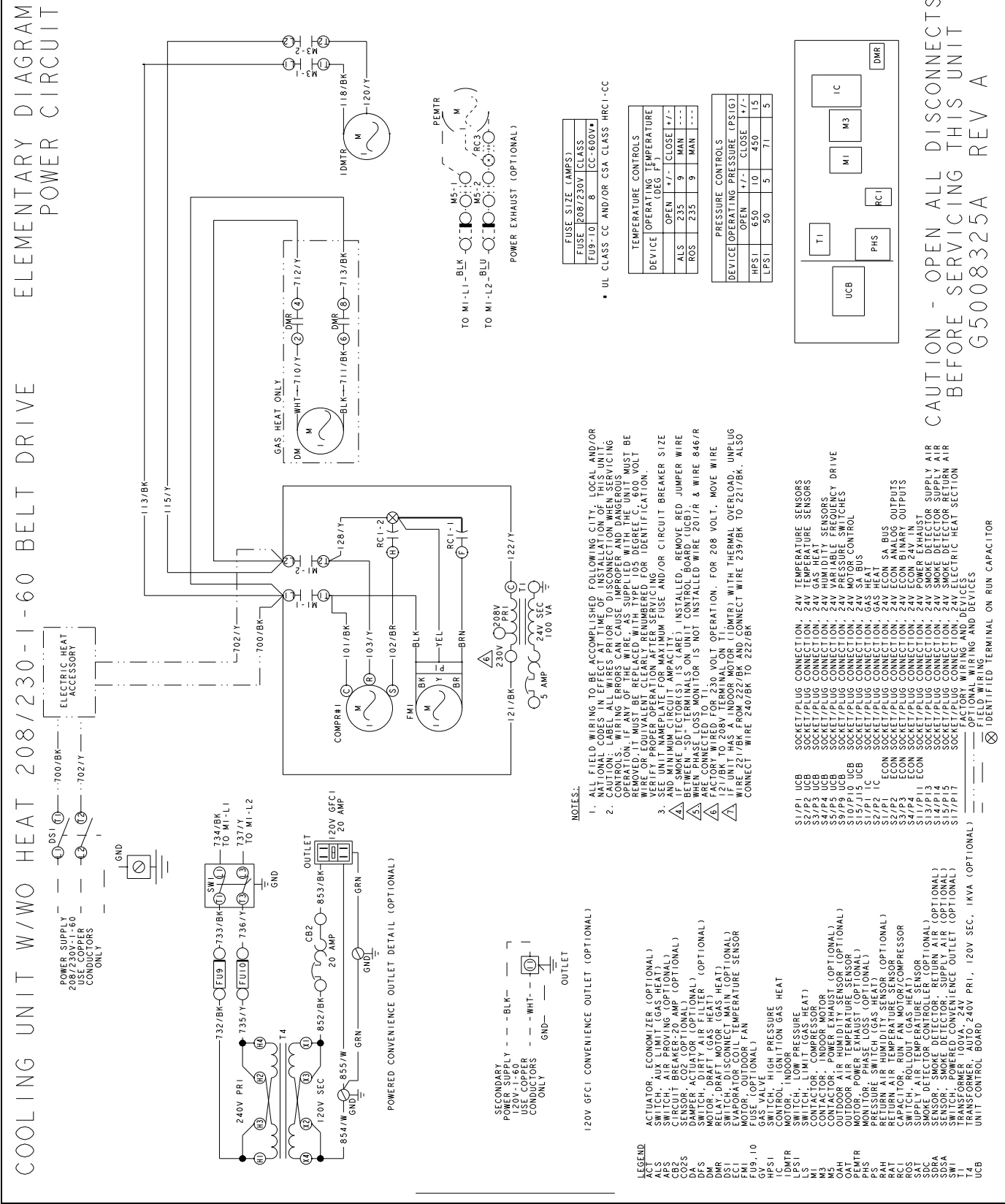
Typical ZX/ZY04-06 Cooling Unit w/w Gas Heat 208/230-3-60 Direct Drive Elementary Diagram Power Circuit



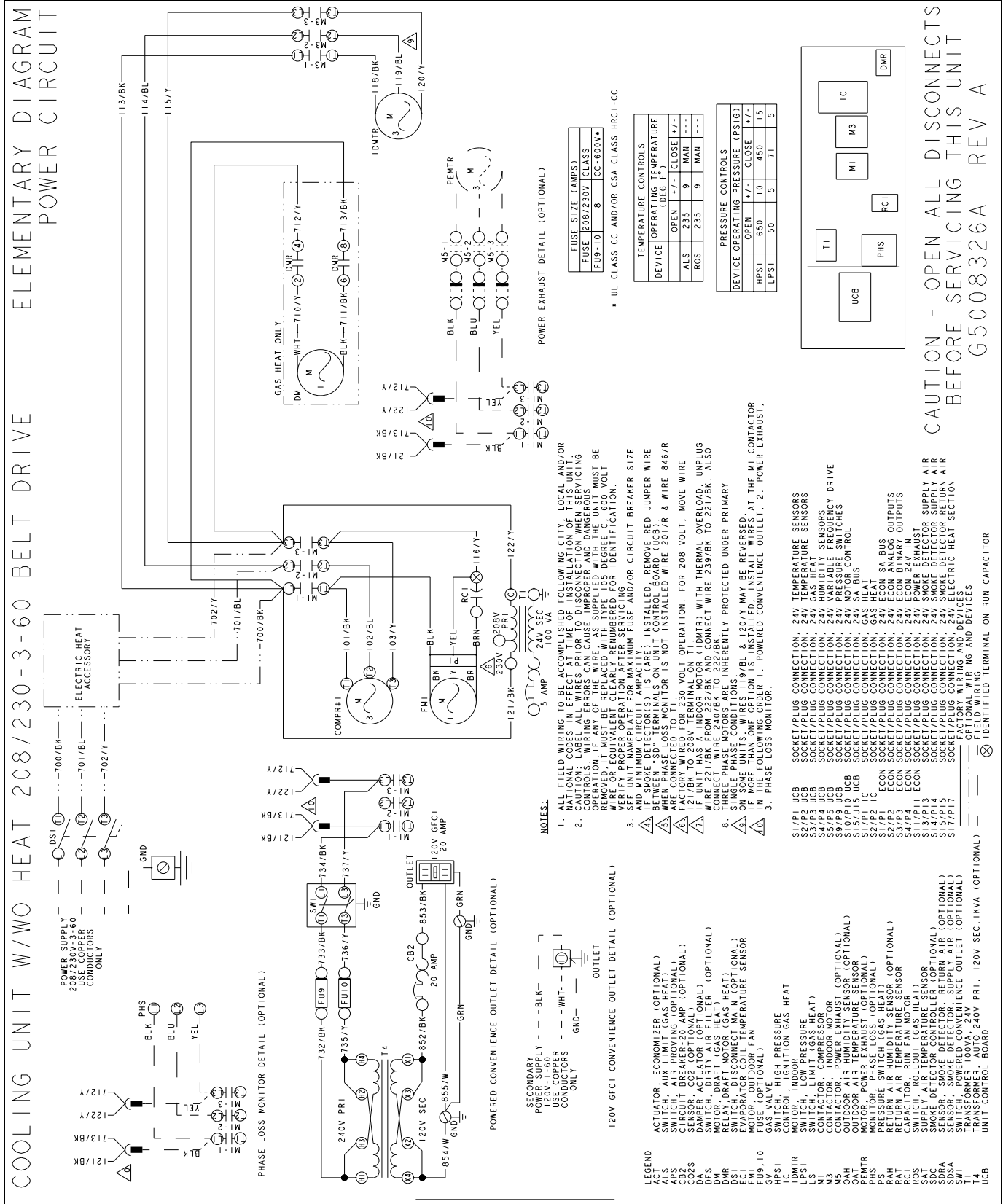
Typical ZX/ZY04-06 Cooling Unit w/w Gas Heat 460-3-60 Direct Drive Elementary Diagram Power Circuit



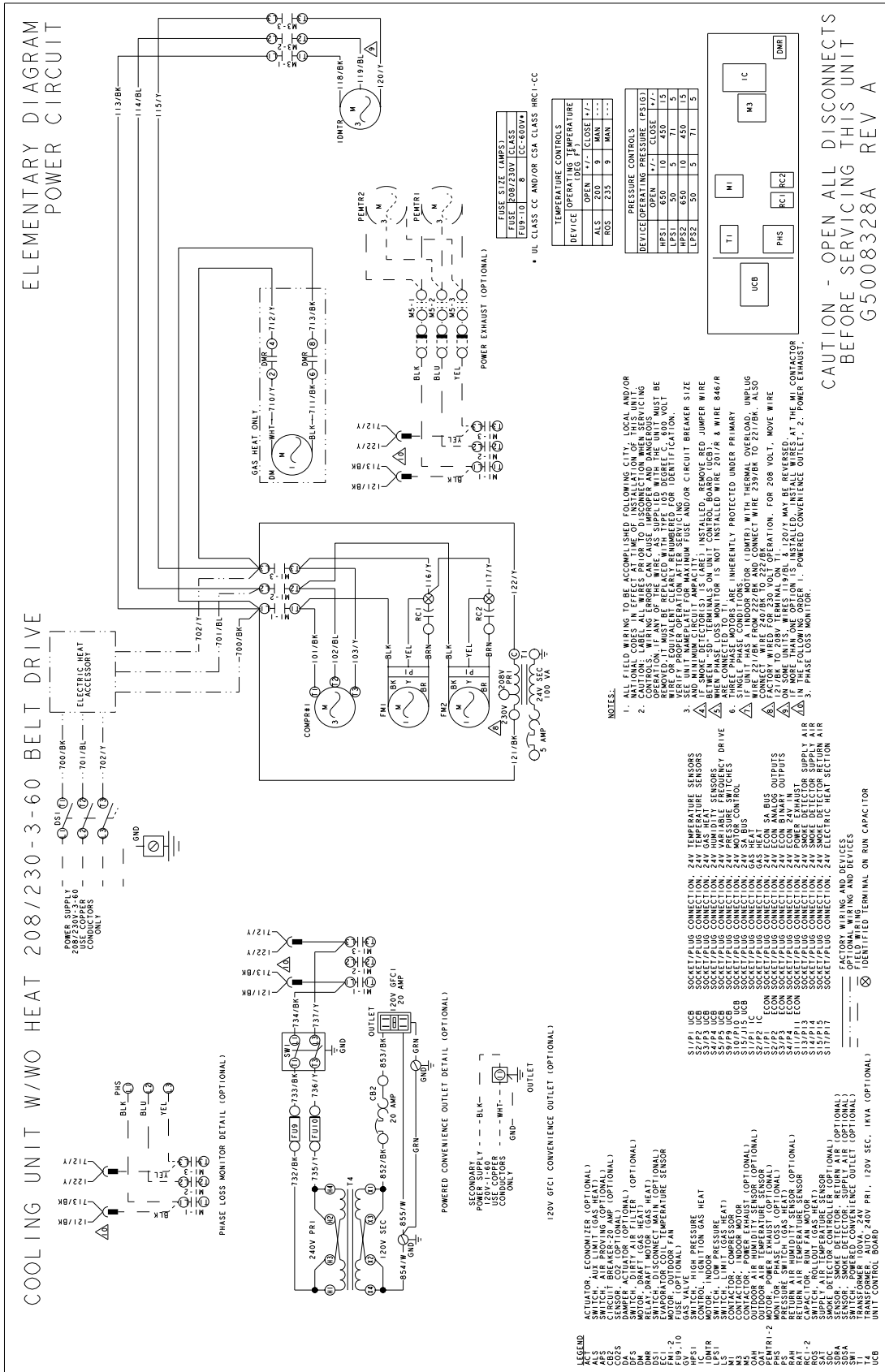
Typical ZX/ZY04-06 Cooling Unit w/wo Gas Heat 208/230-1-60 Belt Drive Elementary Diagram Power Circuit



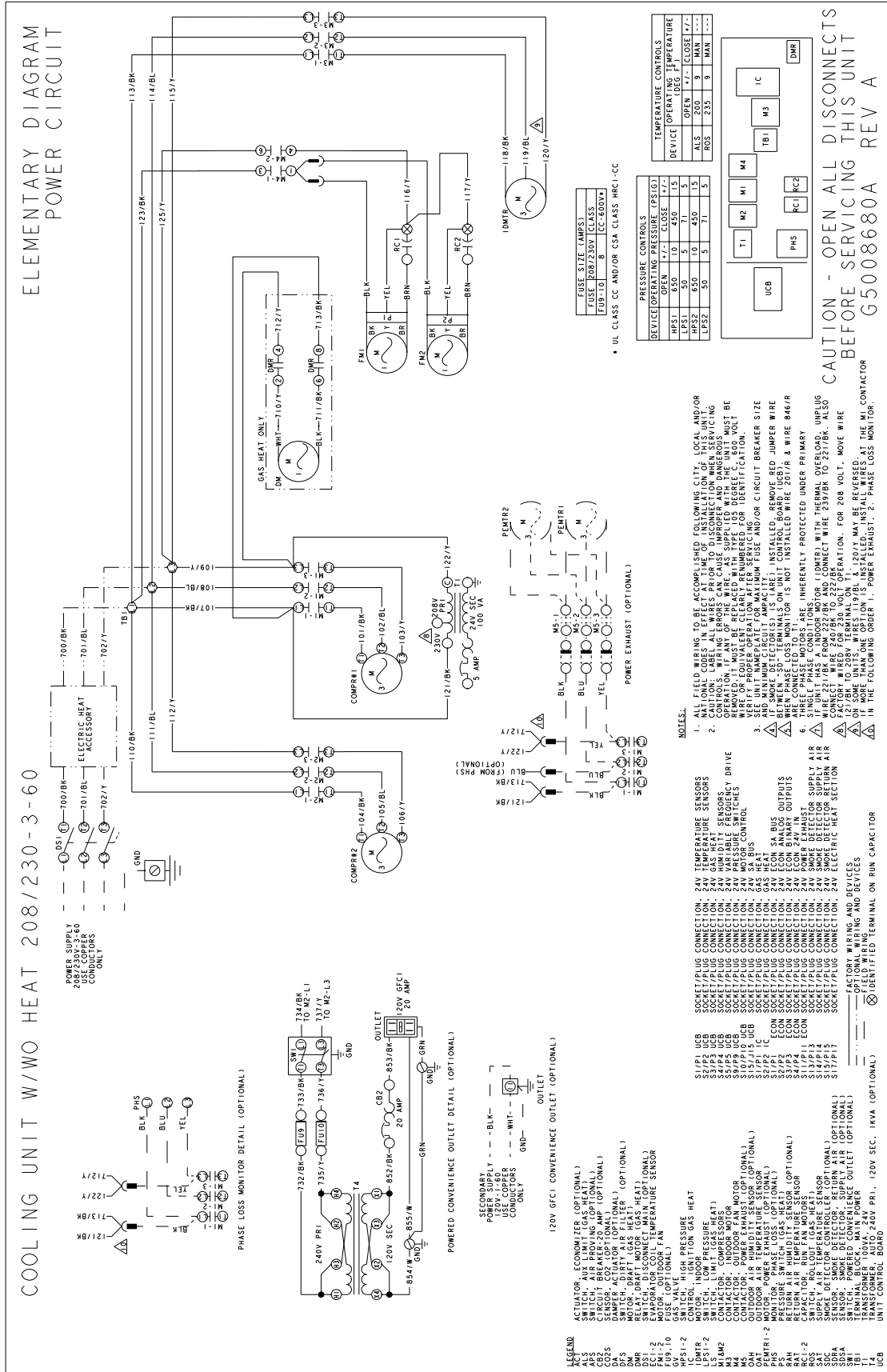
Typical ZX04-08/ZY04-06 Cooling Unit w/wo Gas Heat 208/230-3-60 Belt Drive Elementary Diagram Power Circuit



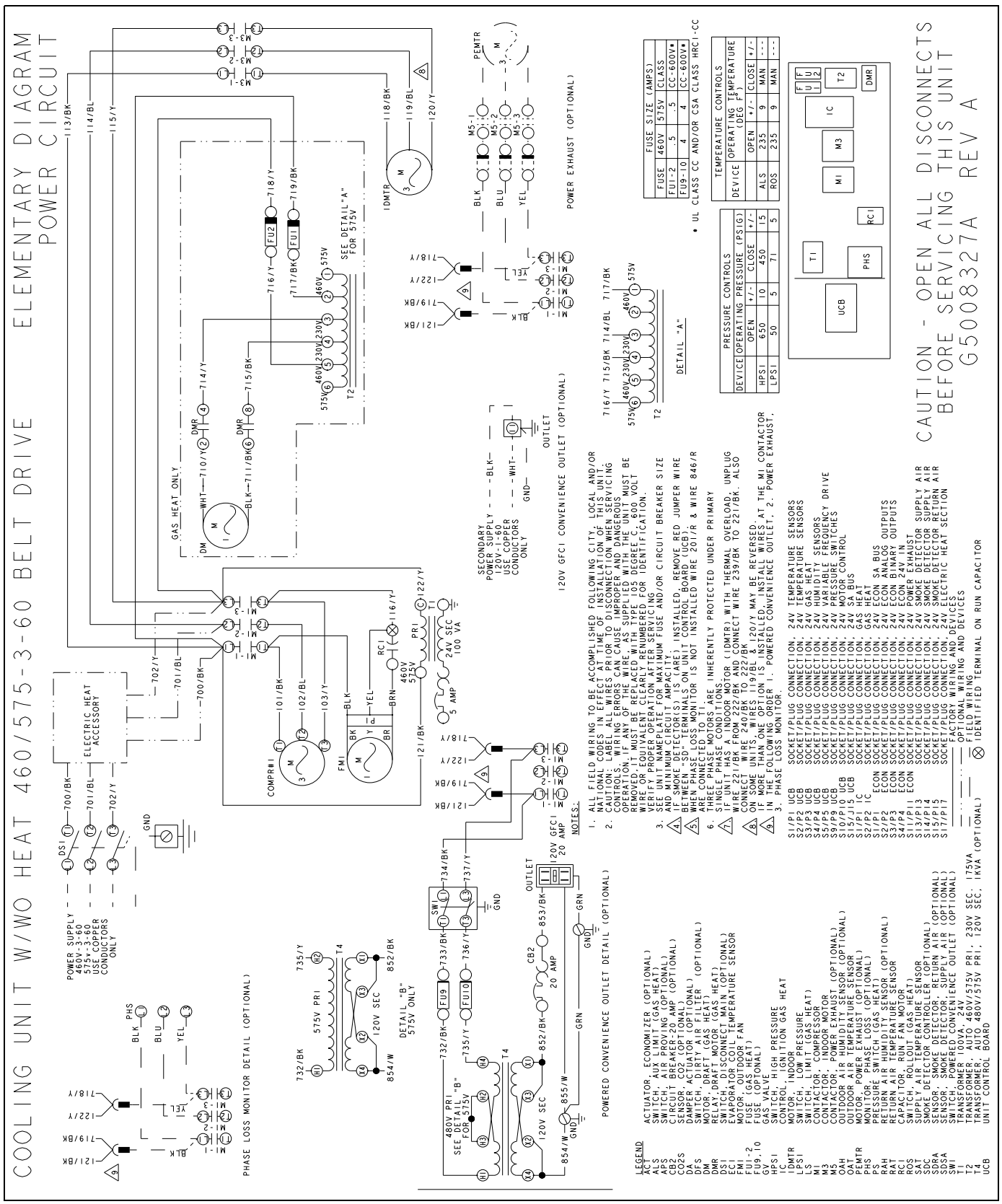
Typical ZX09/ZY07 Cooling Unit w/wo Gas Heat 208/230-3-60 Belt Drive Elementary Diagram Power Circuit



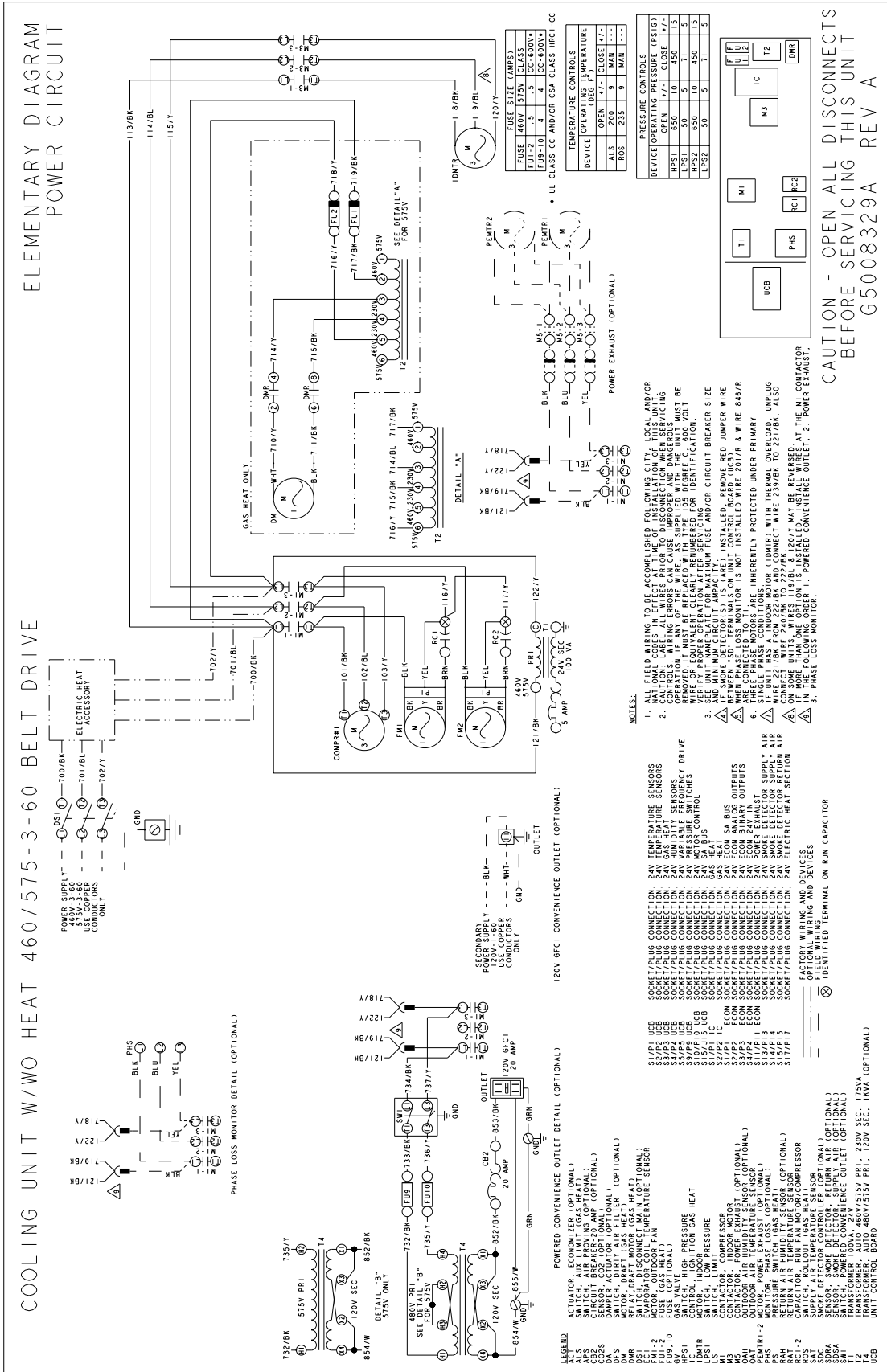
Typical ZX12/ZY08, 09 Cooling Unit w/w Gas Heat 208/230-3-60 Belt Drive Elementary Diagram Power Circuit



Typical ZX04-08/ZY04-06 Cooling Unit w/wo Gas Heat 460/575-3-60 Belt Drive Elementary Diagram Power Circuit



Typical ZX09/ZY07 Cooling Unit w/wo Gas Heat 460/575-3-60 Belt Drive Elementary Diagram Power Circuit



NOTES:

- ALL FIELD WIRING TO BE ACCOMPLISHED FOLLOWING CITY, LOCAL AND/OR STATE REQUIREMENTS.
- CAUTION: LABEL ALL WIRES PRIOR TO DISCONNECTION WHEN SERVICING. WIRING ERRORS CAN CAUSE IMPROPER AND DANGEROUS OPERATION. REMOVED. IT MUST BE REPLACED WITH THE SAME TYPE, SIZE AND RATING. VERIFY PROPER OPERATION AFTER SERVICING OR IDENTIFICATION.
3. SEE UNIT MANUAL FOR MAXIMUM FUSE AND/OR CIRCUIT BREAKER SIZE.
- IF SMOKE DETECTOR(S) IS (ARE) INSTALLED, REMOVE RED JUMPER WIRE AND WIRE 22/BR FROM 222/BR AND CONNECT WIRE 239/BR TO 22/BR. ALSO REMOVE RED JUMPER WIRE AND WIRE 197/BL & 120/V MAY BE REVERSED. INSTALL ONE OPTION IS INSTALLED. INSTALL WIRES AT THE MAIN CONTACTOR.
- IF MORE THAN ONE OPTION IS INSTALLED, INSTALL WIRES AT THE MAIN CONTACTOR.
3. PHASE LOSS MONITOR - 1. POWERED CONVENIENCE OUTLET, 2. FURNACE EXHAUST.

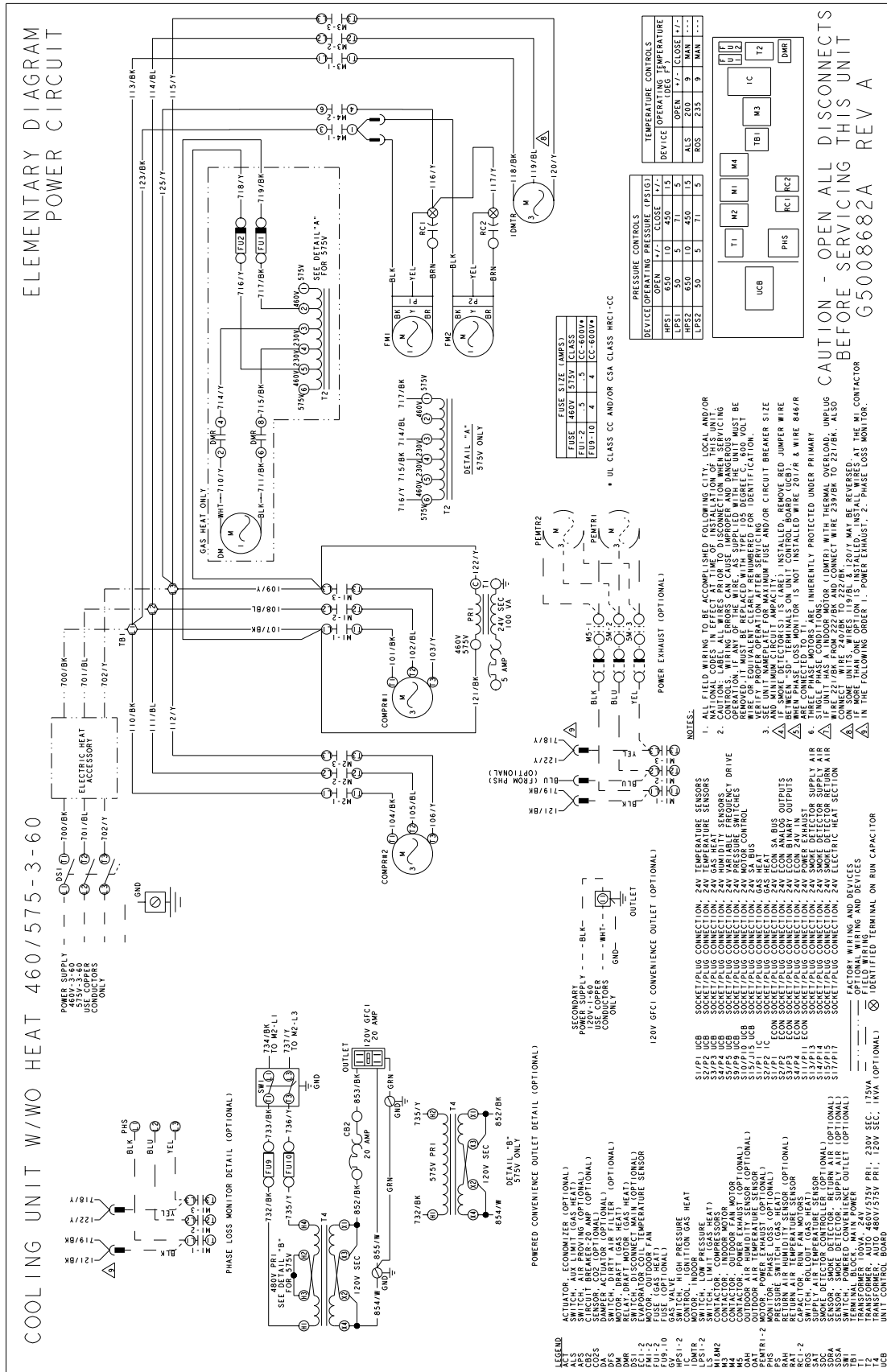
FUSE SIZES (AMPS)		
FU1-2	5	5
FU9-10	4	4

TEMPERATURE CONTROLS		
ALS	200	9
ROS	235	9

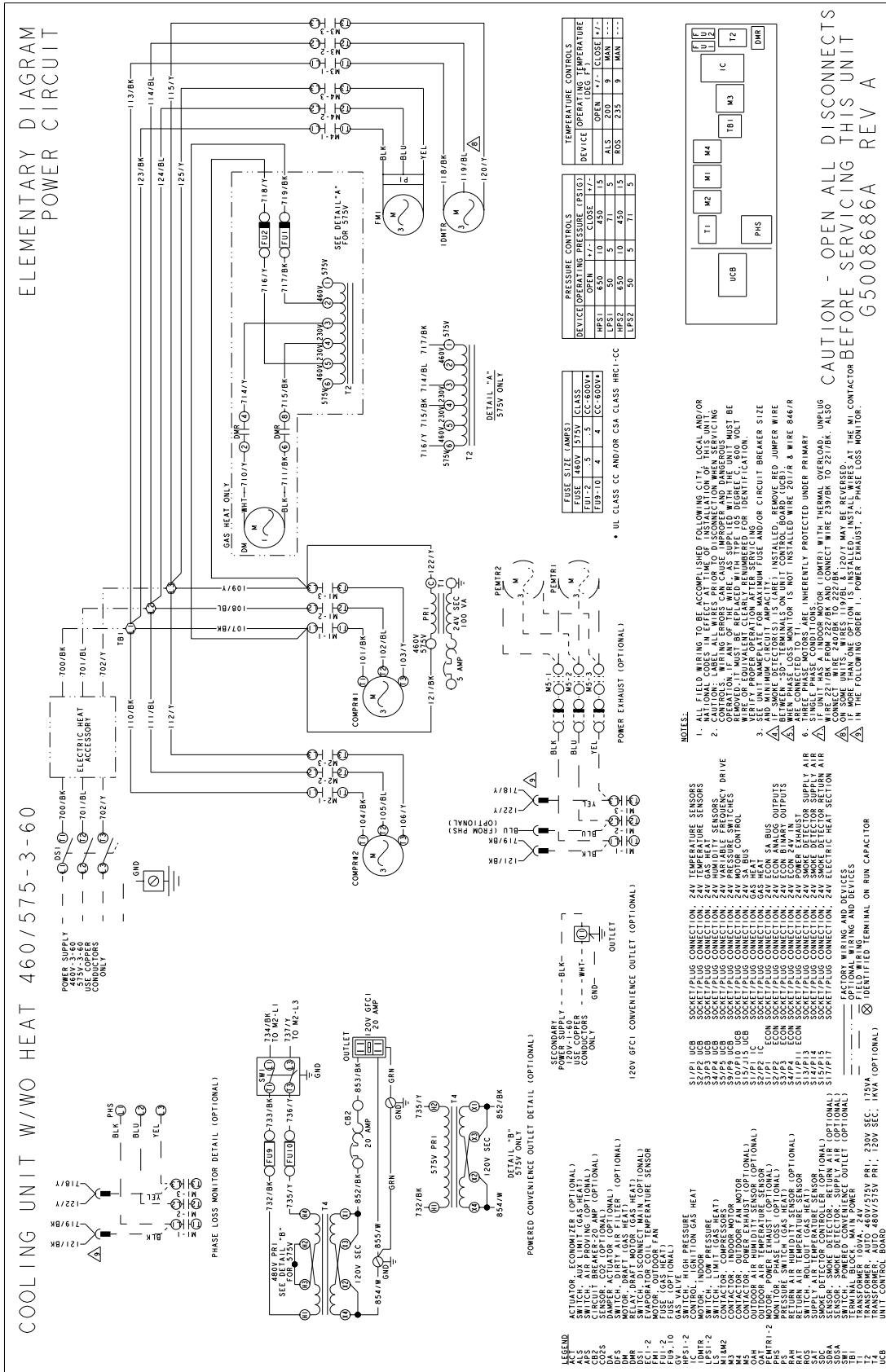
PRESSURE CONTROLS		
MS1	5.0	10
MS2	5.0	10
MS3	5.0	10
MS4	5.0	10
MS5	5.0	10
MS6	5.0	10
MS7	5.0	10
MS8	5.0	10
MS9	5.0	10
MS10	5.0	10
MS11	5.0	10
MS12	5.0	10
MS13	5.0	10
MS14	5.0	10
MS15	5.0	10
MS16	5.0	10
MS17	5.0	10
MS18	5.0	10
MS19	5.0	10
MS20	5.0	10
MS21	5.0	10
MS22	5.0	10
MS23	5.0	10
MS24	5.0	10
MS25	5.0	10
MS26	5.0	10
MS27	5.0	10
MS28	5.0	10
MS29	5.0	10
MS30	5.0	10
MS31	5.0	10
MS32	5.0	10
MS33	5.0	10
MS34	5.0	10
MS35	5.0	10
MS36	5.0	10
MS37	5.0	10
MS38	5.0	10
MS39	5.0	10
MS40	5.0	10
MS41	5.0	10
MS42	5.0	10
MS43	5.0	10
MS44	5.0	10
MS45	5.0	10
MS46	5.0	10
MS47	5.0	10
MS48	5.0	10
MS49	5.0	10
MS50	5.0	10
MS51	5.0	10
MS52	5.0	10
MS53	5.0	10
MS54	5.0	10
MS55	5.0	10
MS56	5.0	10
MS57	5.0	10
MS58	5.0	10
MS59	5.0	10
MS60	5.0	10

CAUTION - OPEN ALL DISCONNECTS BEFORE SERVICING THIS UNIT
G5008329A REV A

Typical ZX12/ZY08, 09 Cooling Unit w/wo Gas Heat 460/575-3-60 Belt Drive Elementary Diagram Power Circuit



Typical ZX14/ZY12 Cooling Unit w/wo Gas Heat 460/575-3-60 Belt Drive Elementary Diagram Power Circuit



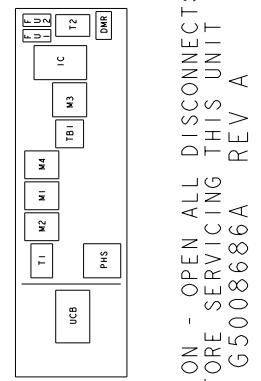
ELEMENTARY DIAGRAM
POWER CIRCUIT

COOLING UNIT W/WO GAS HEAT 460/575-3-60

USE SIZE (AMPS)	CLASS
FUSE-2	5
FUSE-3	5
FUSE-4	5
FUSE-5	5
FUSE-6	5
FUSE-7	5
FUSE-8	5
FUSE-9	5
FUSE-10	4
FUSE-11	4
FUSE-12	4
FUSE-13	4
FUSE-14	4
FUSE-15	4
FUSE-16	4
FUSE-17	4
FUSE-18	4
FUSE-19	4
FUSE-20	4

DEVICE OPERATING PRESSURE (PSIG)	TEMPERATURE CONTROLS
WPS1	OPEN 1-7-CLOSE 1-7-
WPS2	OPEN 1-7-CLOSE 1-7-
WPS3	OPEN 1-7-CLOSE 1-7-
WPS4	OPEN 1-7-CLOSE 1-7-
WPS5	OPEN 1-7-CLOSE 1-7-
WPS6	OPEN 1-7-CLOSE 1-7-
WPS7	OPEN 1-7-CLOSE 1-7-
WPS8	OPEN 1-7-CLOSE 1-7-
WPS9	OPEN 1-7-CLOSE 1-7-
WPS10	OPEN 1-7-CLOSE 1-7-
WPS11	OPEN 1-7-CLOSE 1-7-
WPS12	OPEN 1-7-CLOSE 1-7-
WPS13	OPEN 1-7-CLOSE 1-7-
WPS14	OPEN 1-7-CLOSE 1-7-
WPS15	OPEN 1-7-CLOSE 1-7-
WPS16	OPEN 1-7-CLOSE 1-7-
WPS17	OPEN 1-7-CLOSE 1-7-
WPS18	OPEN 1-7-CLOSE 1-7-
WPS19	OPEN 1-7-CLOSE 1-7-
WPS20	OPEN 1-7-CLOSE 1-7-

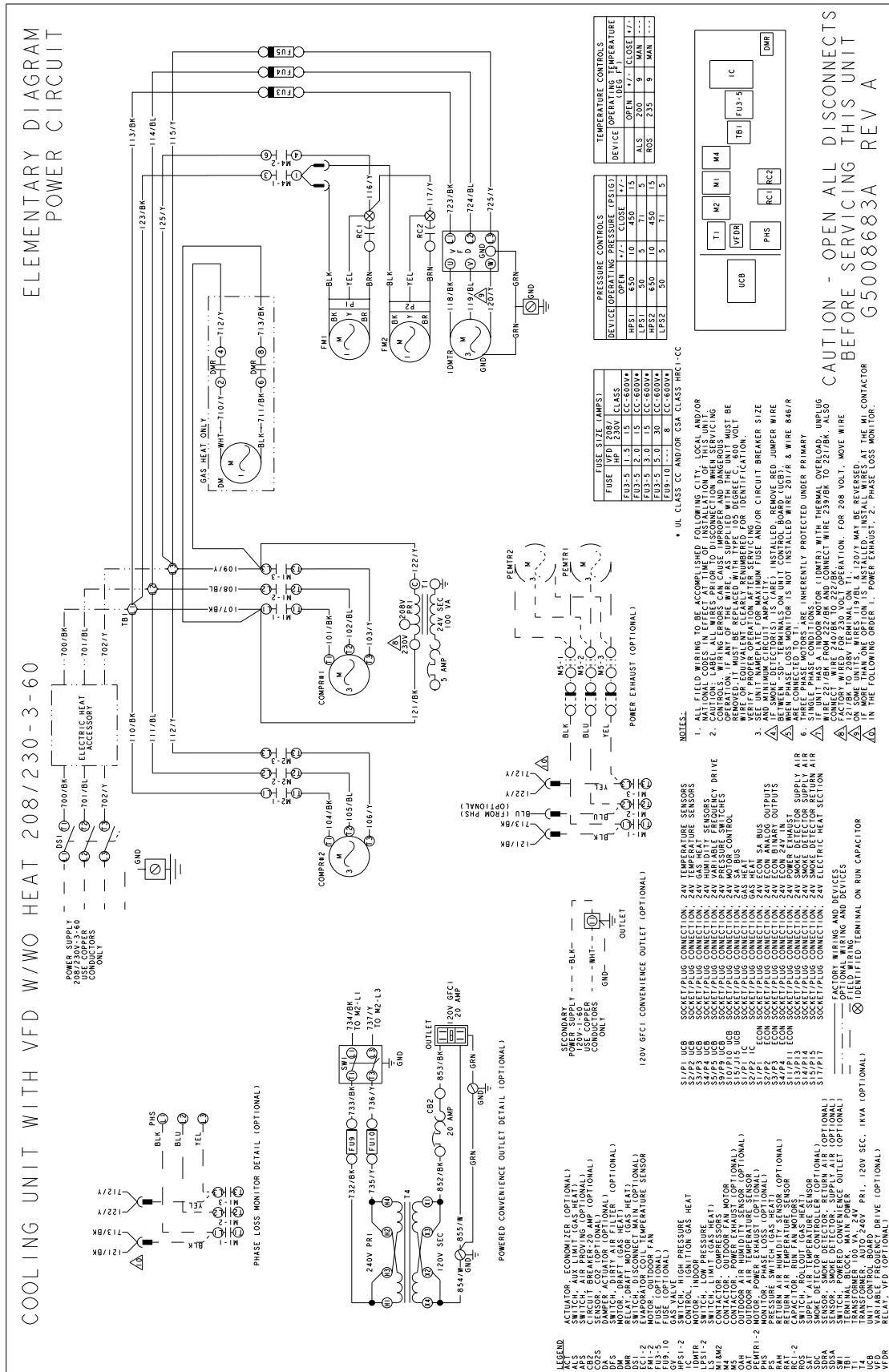
TEMPERATURE CONTROLS	TEMPERATURE CONTROLS
WPS1	OPEN 1-7-CLOSE 1-7-
WPS2	OPEN 1-7-CLOSE 1-7-
WPS3	OPEN 1-7-CLOSE 1-7-
WPS4	OPEN 1-7-CLOSE 1-7-
WPS5	OPEN 1-7-CLOSE 1-7-
WPS6	OPEN 1-7-CLOSE 1-7-
WPS7	OPEN 1-7-CLOSE 1-7-
WPS8	OPEN 1-7-CLOSE 1-7-
WPS9	OPEN 1-7-CLOSE 1-7-
WPS10	OPEN 1-7-CLOSE 1-7-
WPS11	OPEN 1-7-CLOSE 1-7-
WPS12	OPEN 1-7-CLOSE 1-7-
WPS13	OPEN 1-7-CLOSE 1-7-
WPS14	OPEN 1-7-CLOSE 1-7-
WPS15	OPEN 1-7-CLOSE 1-7-
WPS16	OPEN 1-7-CLOSE 1-7-
WPS17	OPEN 1-7-CLOSE 1-7-
WPS18	OPEN 1-7-CLOSE 1-7-
WPS19	OPEN 1-7-CLOSE 1-7-
WPS20	OPEN 1-7-CLOSE 1-7-



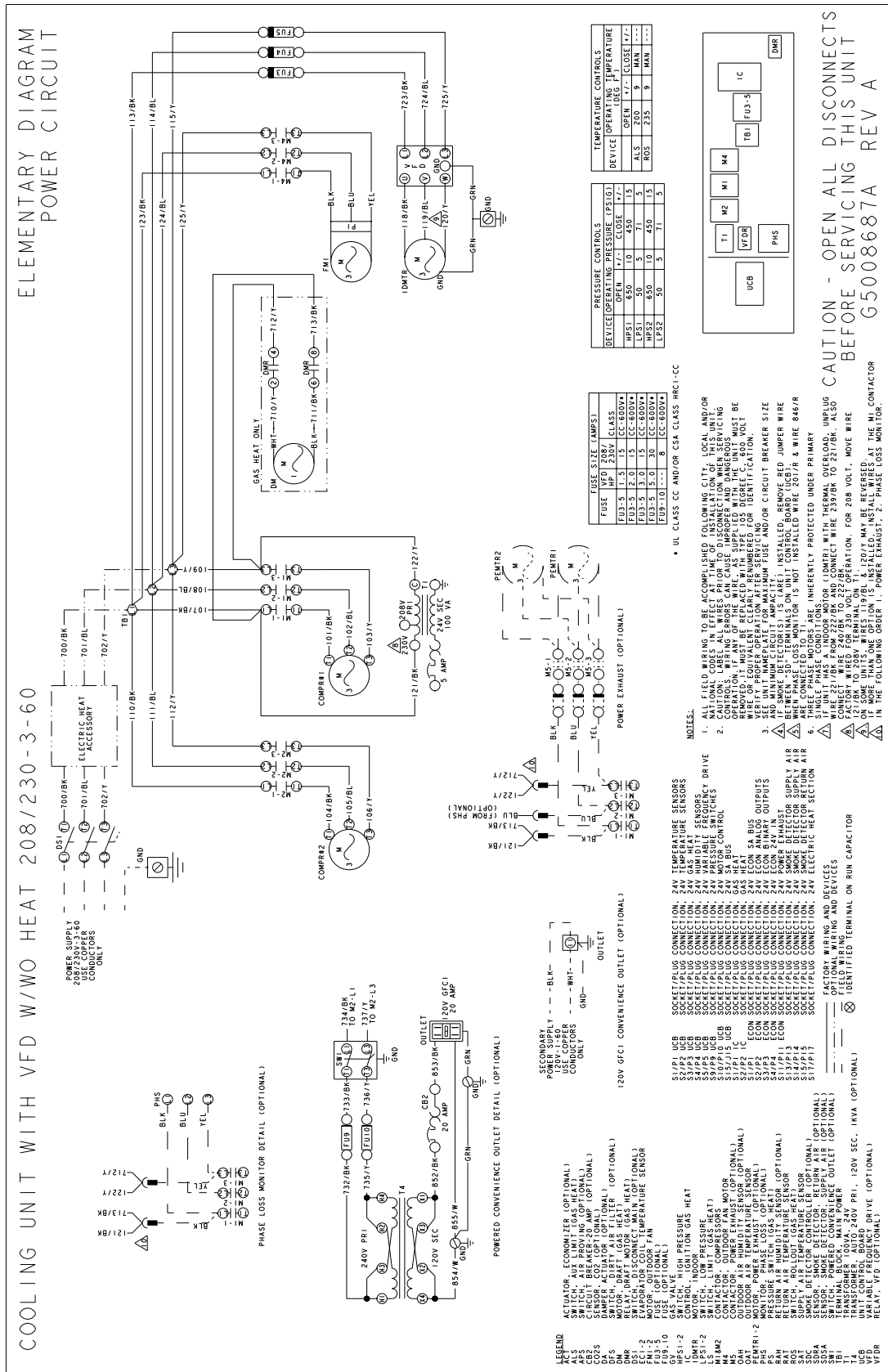
CAUTION - OPEN ALL DISCONNECTS BEFORE SERVICING THIS UNIT
G5008686A REV A

- NOTES:**
1. ALL WIRING TO BE ACCOMPLISHED FOLLOWING LOCAL AND/OR NATIONAL ELECTRICAL CODES.
 2. CAUTION: LABEL ALL WIRES PRIOR TO DISCONNECTION WHEN SERVICING UNIT. ANY WIRE, AS SUPPLIED WITH THE UNIT MUST BE IDENTIFIED AND CLEARLY REBUNDLE FOR IDENTIFICATION.
 3. VERIFY PROPER OPERATION AFTER SERVICING OR CIRCUIT BREAKER SIZE AND MINIMUM CIRCUIT AMPACITY.
 4. WHEN WIRING THE UNIT, MAKE SURE THE RED JUMPER WIRE BETWEEN THE MONITOR AND UNIT CONTROL BOARD (UCB) IS CONNECTED CORRECTLY.
 5. THE RED JUMPER WIRE 20/17 & WIRE 846/R BETWEEN THE MONITOR AND UNIT CONTROL BOARD (UCB) IS NOT INSTALLED.
 6. THREE PHASE MOTORS ARE INHERENTLY PROTECTED UNDER PRIMARY OVERLOAD. IF UNIT HAS A LINEAR MOTOR (DMR) WITH THERMAL OVERLOAD, UNPLUG THE LINEAR MOTOR (DMR) FROM THE MONITOR. ALSO, UNPLUG THE LINEAR MOTOR (DMR) FROM THE MONITOR.
 7. ON SOME UNITS, WIRE 11/18/BK & 12/17/BK MAY BE REVERSED. CONFIRM WITH THE MANUFACTURER.
 8. IN THE FOLLOWING ORDER: 1. POWER EXHAUST, 2. PHASE LOSS MONITOR.

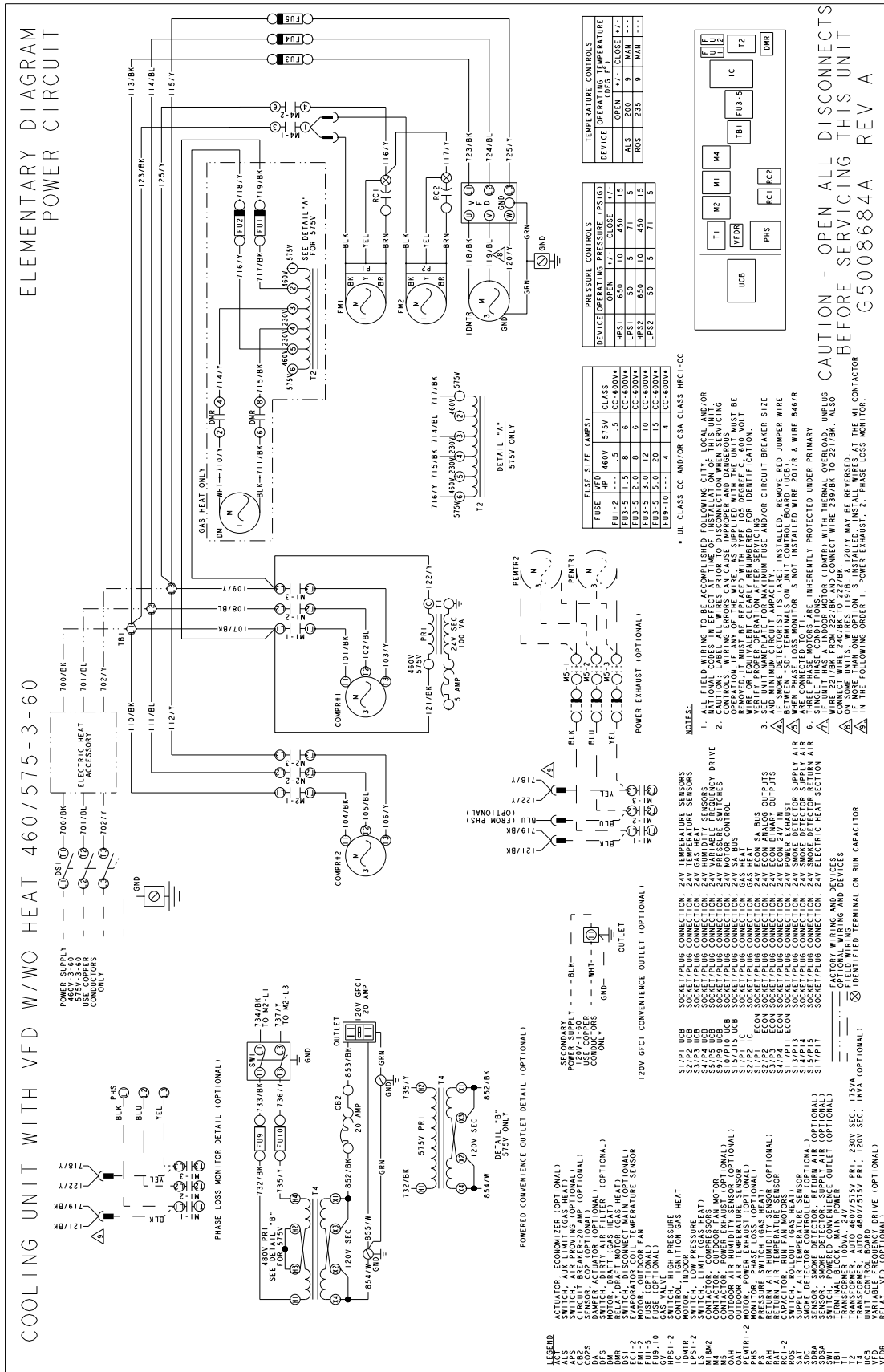
Typical ZX12/ZY08, 09 Cooling Unit with VFD w/o Gas Heat 208/230-3-60 Belt Drive Elementary Diagram Power Circuit



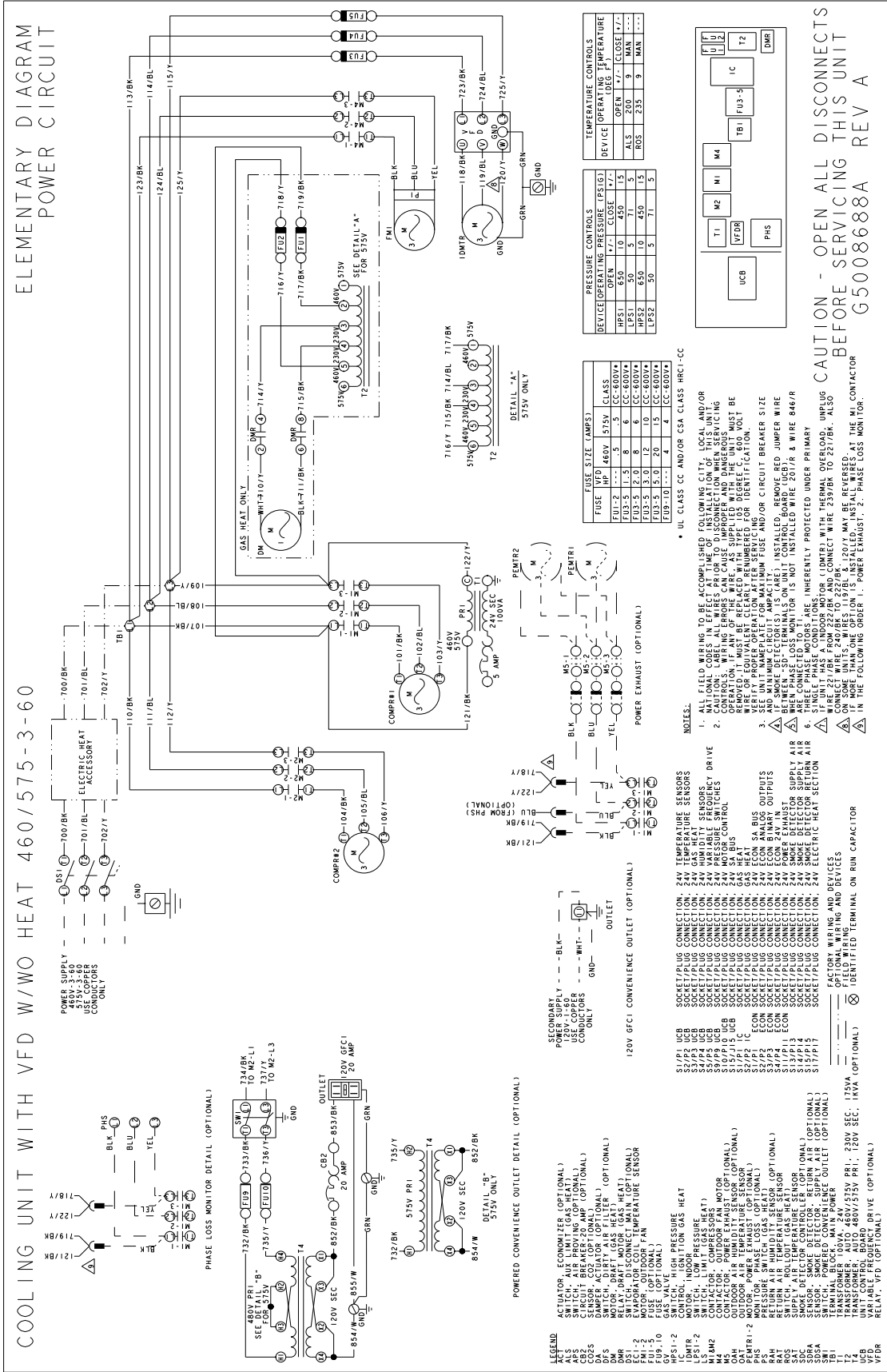
Typical ZX14/ZY12 Cooling Unit with VFD w/wo Gas Heat 208/230-3-60 Belt Drive Elementary Diagram Power Circuit



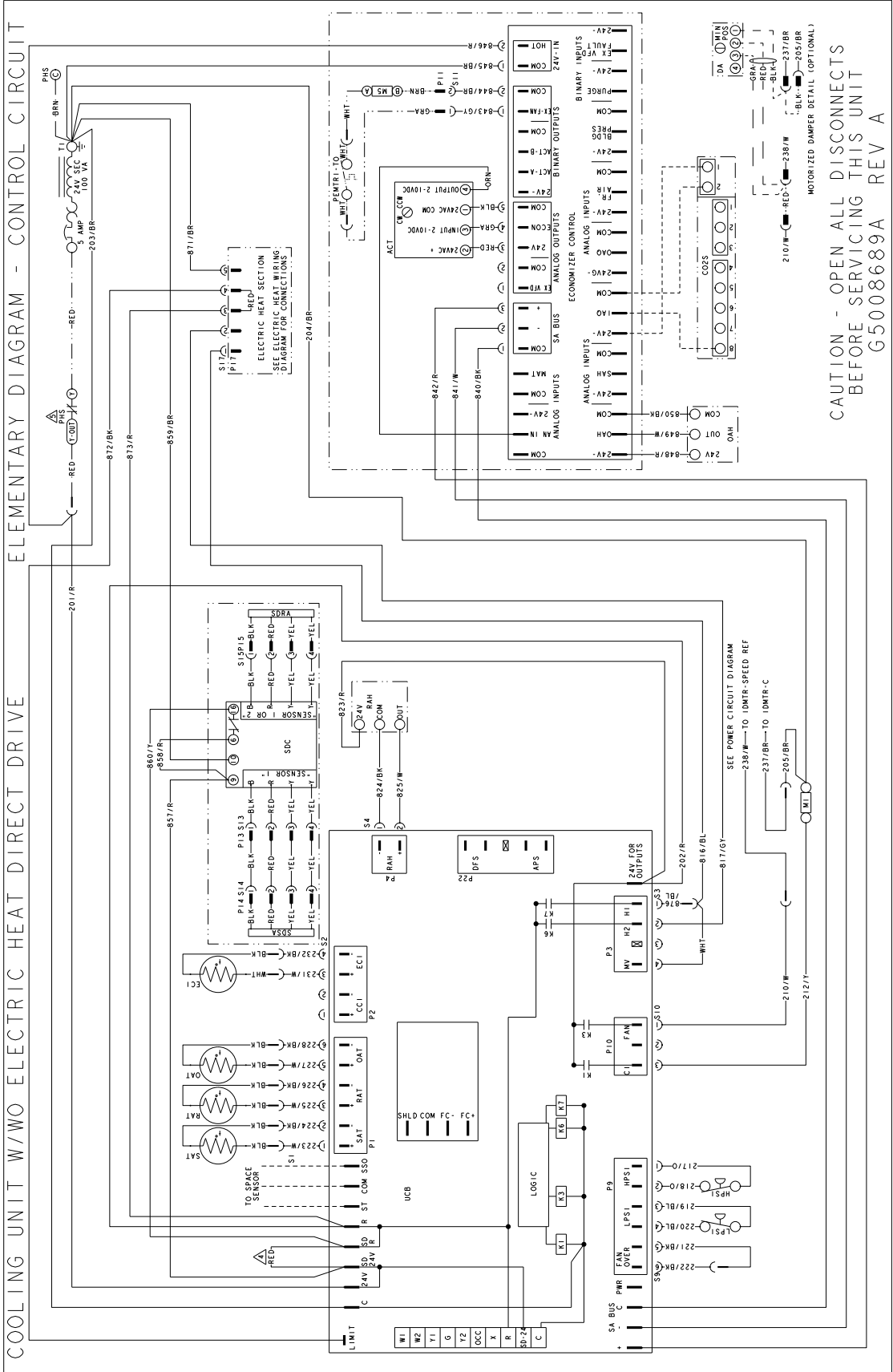
Typical ZX12/ZY08, 09 Cooling Unit with VFD w/wo Gas Heat 460/575-3-60 Belt Drive Elementary Diagram Power Circuit



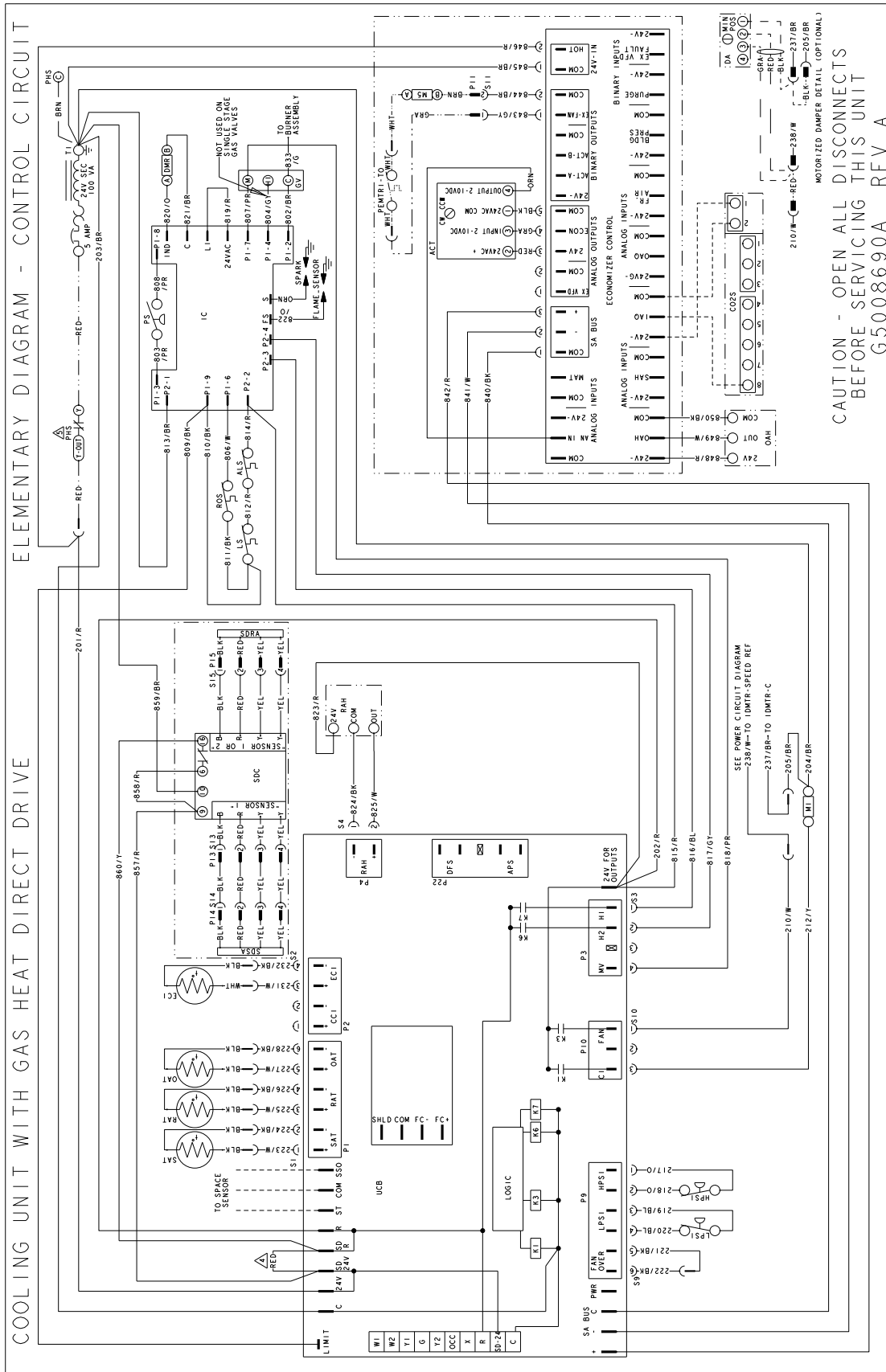
Typical ZX14/ZY12 Cooling Unit with VFD w/o Gas Heat 460/575-3-60 Belt Drive Elementary Diagram Power Circuit



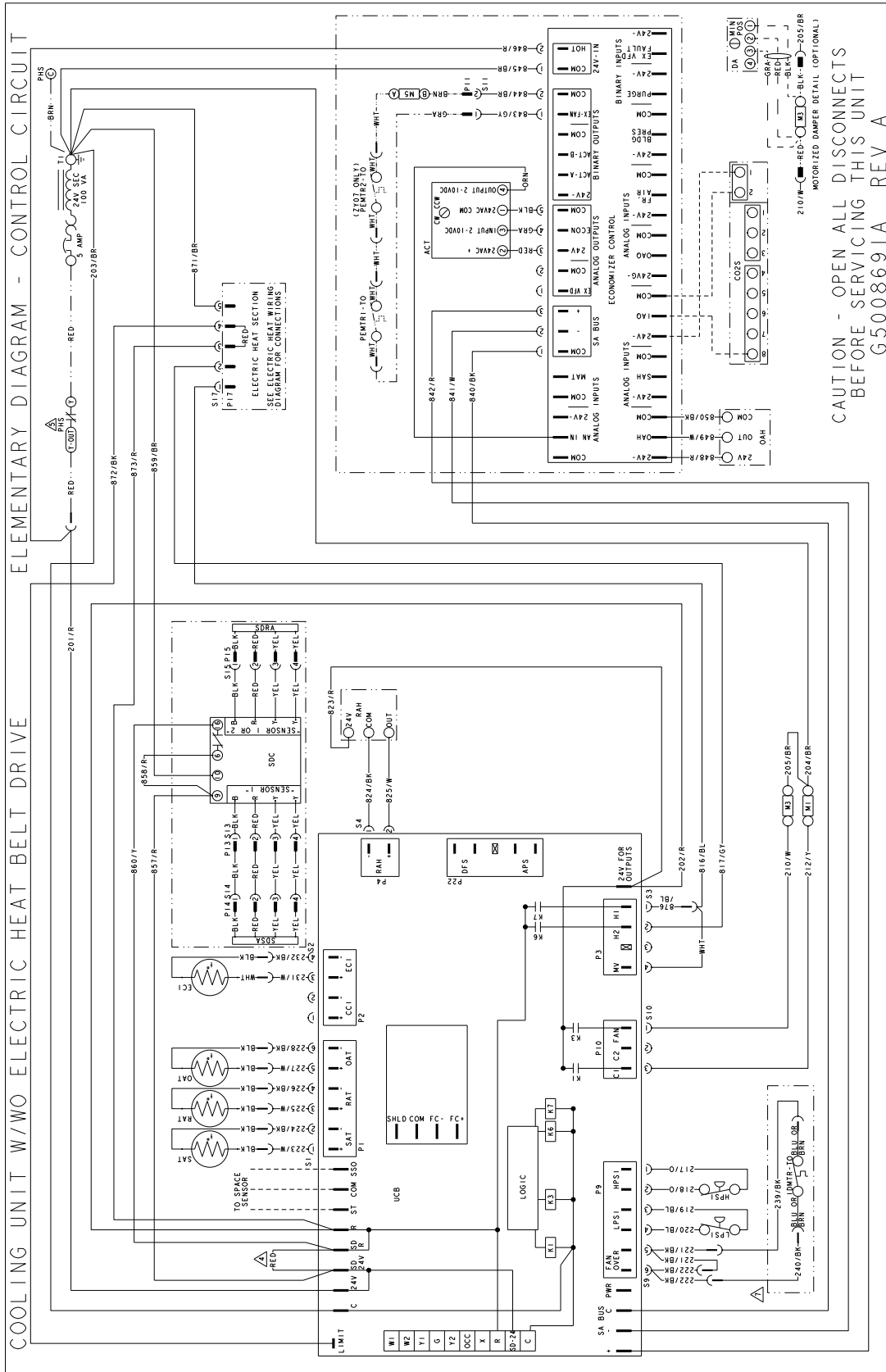
Typical ZX/ZY04-06 Cooling Unit Direct Drive Elementary Diagram Control Circuit



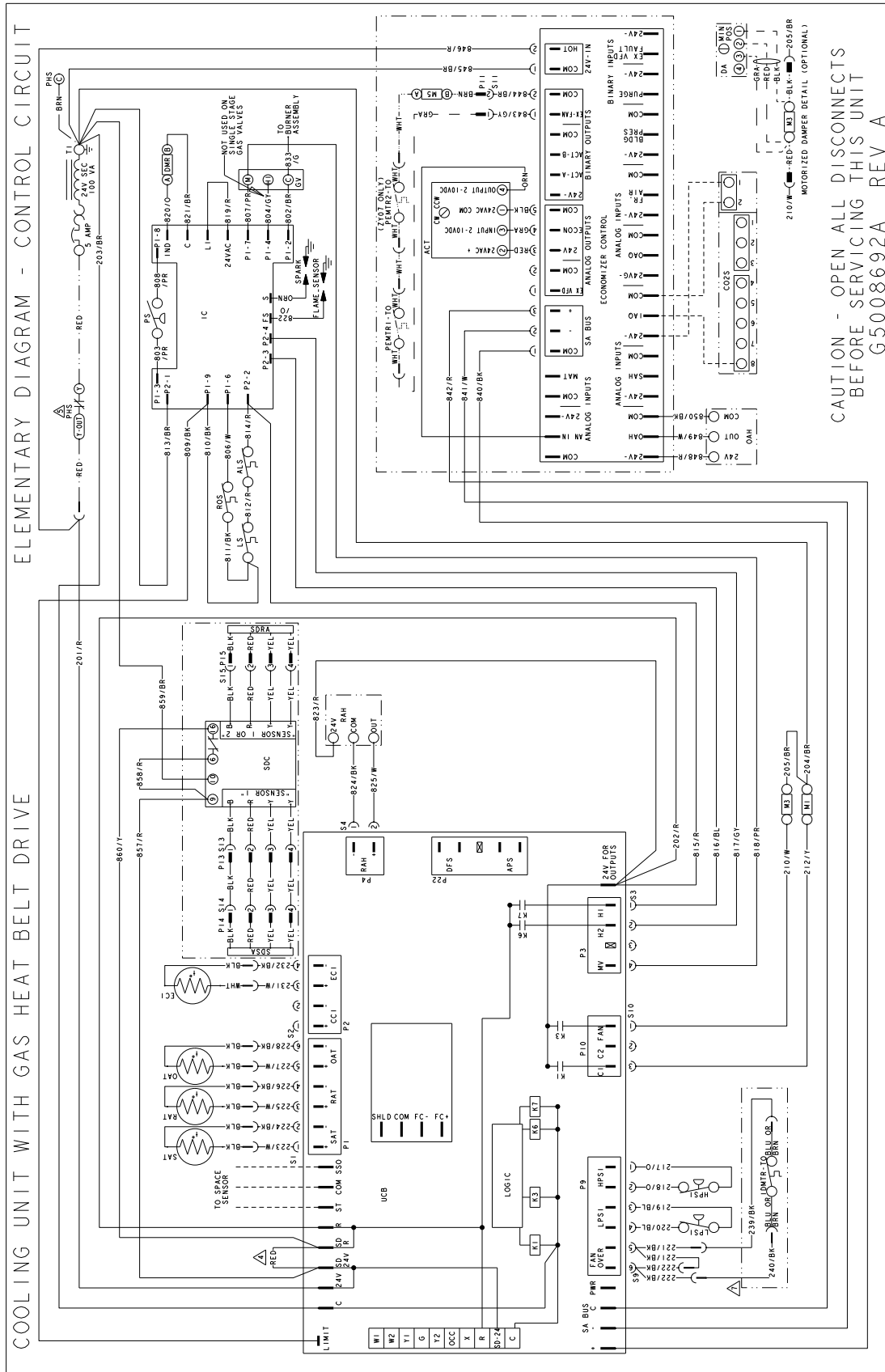
Typical ZX/ZY04-06 Cooling Unit with Gas Heat Direct Drive Elementary Diagram Control Circuit



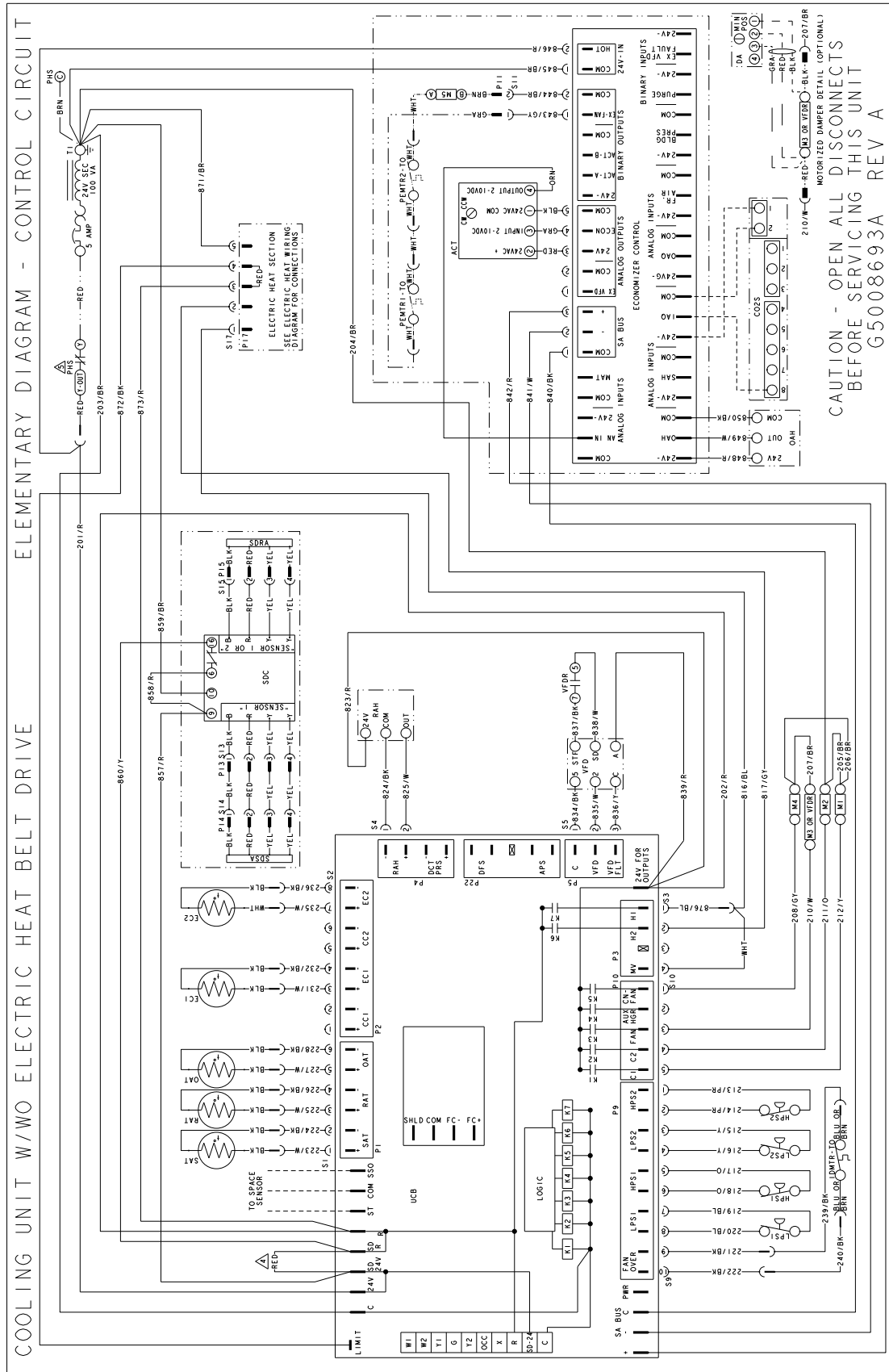
Typical ZX04-09/ZY04-07 Cooling Unit Belt Drive Elementary Diagram Control Circuit



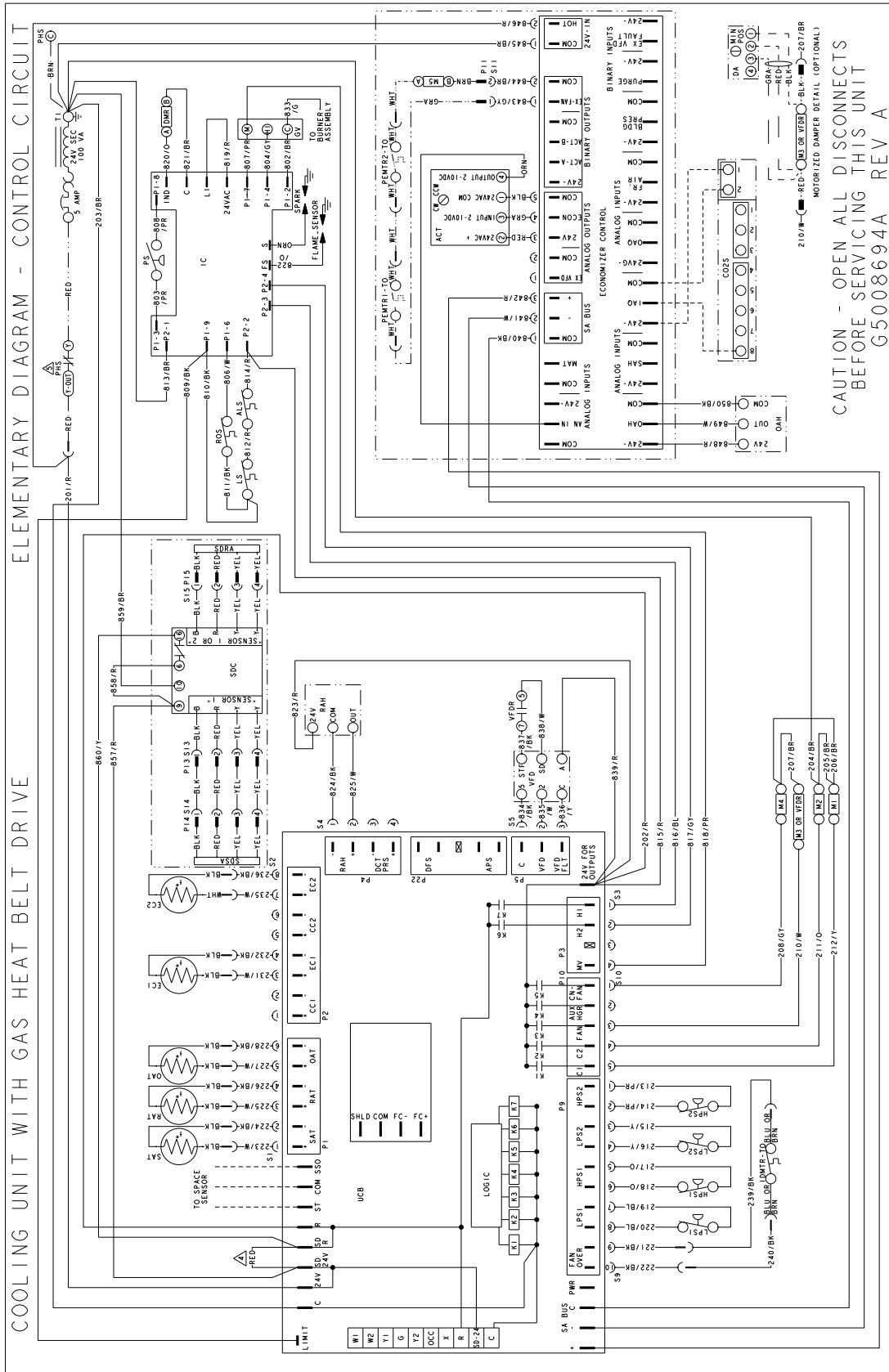
Typical ZX04-09/ZY04-07 Cooling Unit with Gas Heat Belt Drive Elementary Diagram Control Circuit



Typical ZX12, 14/ZY09-12 Cooling Unit Belt Drive w/wo VFD Elementary Diagram Control Circuit



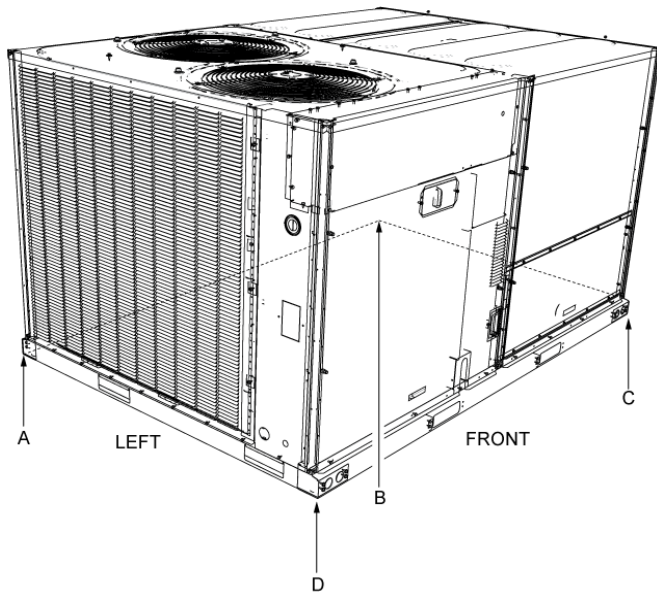
Typical ZX12, 14/ZY09-12 Cooling Unit with Gas Heat Belt Drive w/w VFD Elementary Diagram Control Circuit



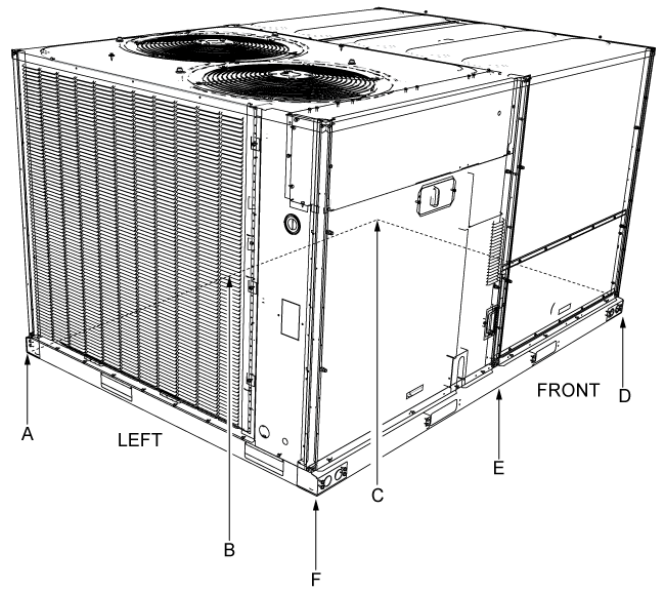
Weights and Dimensions

ZX04-14/ZY04-12 Unit Weights

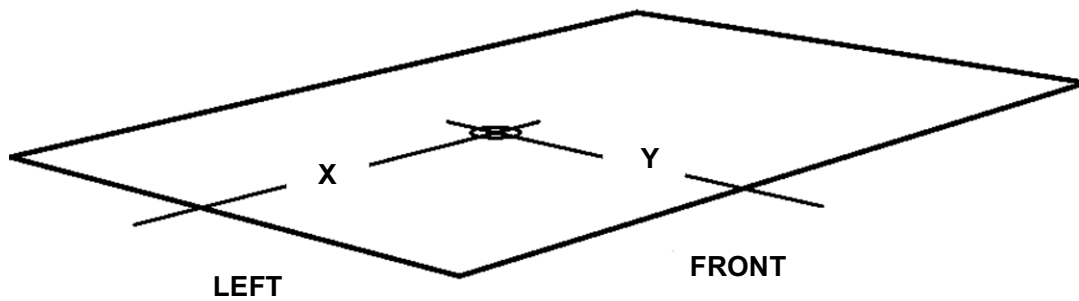
Unit 4 Point Load Weight



Unit 6 Point Load Weight



Unit Center Of Gravity



ZX04-14/ZY04-12 Corner Weights

Model	Size (Tons)	Weight (lbs.)		Center of Gravity		4 Point Load Location (lbs.)				6 Point Load Location (lbs.)					
		Shipping	Operating	X	Y	A	B	C	D	A	B	C	D	E	F
ZXE	04 (3)	474	469	36	24	117	111	117	123	79	76	74	78	80	83
ZXE	05 (4)	503	498	36	24	126	120	123	129	84	82	79	82	84	87
ZXE	06 (5)	535	530	36	24	133	127	132	139	89	86	84	88	90	93
ZXE	07 (6)	597	592	36	24	148	140	148	156	99	96	93	98	101	105
ZXE	08 (7.5)	796	791	46	36	218	244	174	155	142	153	166	118	109	101
ZXE	09 (8.5)	857	852	46	36	230	262	192	168	150	163	178	131	120	110
ZXE	12 (10)	884	879	46	36	242	271	193	172	158	171	184	131	122	113
ZXE	14 (12.5)	946	941	45	36	265	284	203	189	175	183	192	137	130	125
ZYE	04 (3)	486	481	36	24	122	114	118	127	83	79	75	78	82	86
ZYE	05 (4)	569	564	36	24	141	136	141	146	94	92	90	93	96	98
ZYE	06 (5)	587	582	36	24	145	139	146	152	97	94	92	97	100	102
ZYE	07 (6)	739	734	44	36	208	213	158	154	138	140	143	106	104	103
ZYE	08 (7.5)	883	878	46	36	239	271	196	173	156	169	184	133	122	113
ZYE	09 (8.5)	883	878	46	36	241	265	195	177	158	168	180	132	124	116
ZYE	12 (10)	907	902	45	36	249	267	199	186	164	172	180	134	128	123

ZX04-14/ZY04-12 Corner Weights

Model	Size (Tons)	Weight (lbs.)		Center of Gravity		4 point Load Location (lbs.)				6 point Load Location (lbs.)					
		Shipping	Operating	X	Y	A	B	C	D	A	B	C	D	E	F
ZXG	04 (3)	530	515	36	27	142	135	116	122	95	92	89	77	79	82
ZXG	05 (4)	557	552	36	27	154	144	123	131	104	99	95	81	85	89
ZXG	06 (5)	589	584	36	27	163	152	130	139	110	105	100	86	90	94
ZXG	07 (6)	651	646	36	27	181	172	142	150	122	118	114	94	97	101
ZXG	08 (7.5)	898	893	44	37	263	270	182	178	175	178	180	122	120	118
ZXG	09 (8.5)	959	954	44	37	282	289	194	189	187	190	193	130	128	126
ZXG	12 (10)	990	985	44	37	291	298	200	196	193	196	199	134	132	130
ZXG	14 (12.5)	1052	1047	45	37	305	320	216	206	201	208	215	146	141	136
ZYG	04 (3)	532	527	36	27	147	136	117	126	99	94	90	77	81	85
ZYG	05 (4)	623	618	36	27	174	165	136	143	117	113	109	90	93	96
ZYG	06 (5)	641	636	36	27	179	170	140	148	120	116	112	93	96	99
ZYG	07 (6)	809	804	43	37	241	235	162	166	161	159	156	108	109	111
ZYG	08 (7.5)	985	980	44	37	290	297	199	195	192	195	198	133	131	129
ZYG	09 (8.5)	980	980	44	37	284	292	204	199	189	192	196	137	134	132
ZYG	12 (10)	1013	1008	45	37	293	308	208	198	194	200	207	140	135	131

ZX/ZY04-14 Unit Accessory Weights

Unit Accessory	Weights (lbs.)
Vertical Flow Dry Bulb Economizer Small Footprint	55
Vertical Flow Dry Bulb Economizer Large Footprint	60
Horizontal Flow Dry Bulb Economizer Small Footprint Short	74
Horizontal Flow Dry Bulb Economizer Small Footprint Tall	76
Horizontal Flow Dry Bulb Economizer Large Footprint Short	79
Horizontal Flow Dry Bulb Economizer Large Footprint Tall	82
Power Exhaust Vert Flow Small Footprint	55
Power Exhaust Vert Flow Large Footprint	75
Power Exhaust Horiz Flow Small Footprint	40
Power Exhaust Horiz Flow Large Footprint	80
Hail Guard Kit Small Short Factory Installed	18
Hail Guard Kit Small Tall Factory Installed	23
Hail Guard Kit Large Short Factory Installed	36
Hail Guard Kit Large Tall Factory Installed	44
Curb Rigid 14" Small Footprint	94
Curb Rigid 14" Large Footprint	126
Curb Rigid 24" Small Footprint	148
Curb Rigid 24" Large Footprint	222

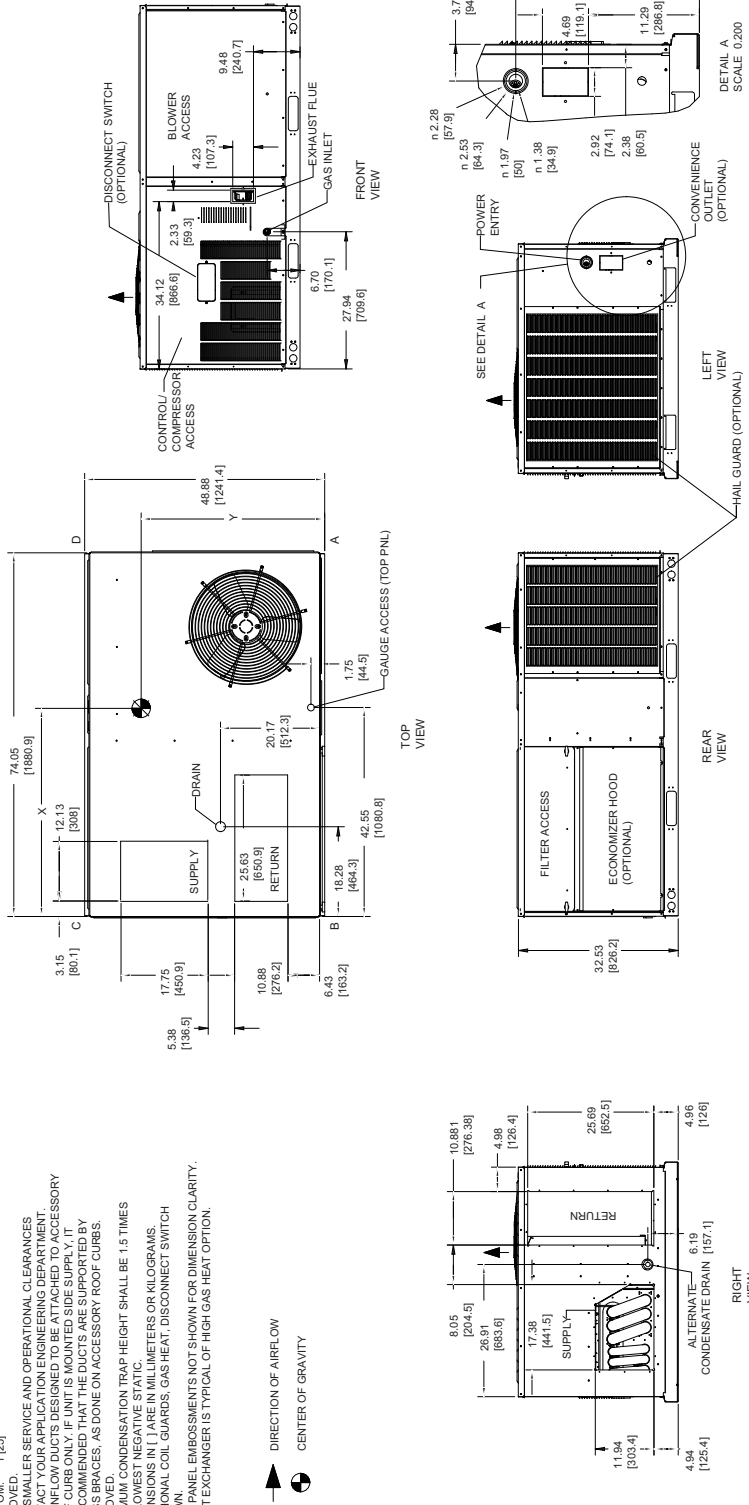
ZX04-14/ZY04-12 Unit Dimensions

ZX04-06 and ZY04

TONNAGE	U I	OPERATING WEIGHT (LBS) (BASE UNIT)	CENTER OF GRAVITY LOCATION (BASE UNIT)				4 POINT CORNER LOADS (LBS) (BASE UNIT)				
			X	Y	A	B	C	D			
3	ZX	483 (212.7)	36 (900)	24 (600)	117 (53.1)	111 (50.3)	117 (53.1)	121 (55.9)	121 (55.9)	121 (55.9)	121 (55.9)
4	ZX	493 (225.9)	36 (900)	24 (600)	120 (54.4)	120 (54.4)	120 (54.4)	120 (54.4)	120 (54.4)	120 (54.4)	120 (54.4)
5	ZX	530 (240.4)	36 (900)	24 (600)	133 (60.3)	127 (57.9)	133 (60.3)	132 (59.8)	132 (59.8)	132 (59.8)	132 (59.8)
3	ZY	481 (219.2)	36 (900)	24 (600)	122 (56.3)	114 (51.7)	114 (51.7)	119 (54.5)	119 (54.5)	119 (54.5)	119 (54.5)

NOTES:

1. FOR OUTDOOR USE ONLY.
2. WEIGHTS SHOWN ARE FOR COOLING ONLY UNITS.
3. RECOMMENDED MIN. CLEARANCES:
RIGHT SIDE: 18 (450) W/SIDE CONDENSATE DRAIN; 24 (600)
LEFT SIDE: 12 (300) W/PipeTAIL; 18 (450)
FRONT: 18 (450)
REAR: 18 (450)
4. REMOVED.
5. FOR SMALLER SERVICE AND OPERATIONAL CLEARANCES
CONTACT YOUR APPLICATION ENGINEERING DEPARTMENT
FOR FURTHER INFORMATION.
6. THE CONDENSATE TRAP IS AN ACCESSORY
ROOF CURB ONLY. IF UNIT IS MOUNTED SIDE SUPPLY, IT
IS RECOMMENDED THAT THE DUCTS ARE SUPPORTED BY
CROSS BRACES, AS DONE ON ACCESSORY ROOF CURBS.
7. REMOVED.
8. MINIMUM CONDENSATION TRAP HEIGHT SHALL BE 1.5 TIMES
THE LOWEST NEGATIVE STATIC.
9. THE CONDENSATE TRAP IS NOT SHOWN FOR DIMENSION CLARITY.
FOR DIMENSIONS WITH MILLIMETERS OR MICRONS.
10. OPTIONAL CON. GUARDS, GAS HEAT, DISCONNECT SWITCH
SHOWN.
11. TOP PANEL EMBOSSEMENTS NOT SHOWN FOR DIMENSION CLARITY.
12. HEAT EXCHANGER IS TYPICAL OF HIGH GAS HEAT OPTION.



REV	DATE	REVISION RECORD	ECN NO	DR	CK	ENG	DATE	DATE
A	08-13-13	NEW DRAWING	7775	SSG	SSG	SSG	SSG	
B	12-03-14	REVISE CLEARANCES (NOTE 3). REMOVE EXTRA DIMS FROM VIEW A	9720	SSG	SSG	SSG	SSG	

ALL DIMENSIONS UNLESS OTHERWISE SPECIFIED ARE IN INCHES. DIMENSIONS IN PARENTHESES ARE IN MILLIMETERS.
 UNITS: DIMENSIONS IN PARENTHESES ARE IN MILLIMETERS.
 DIMENSIONS ARE SHOWN TO UNLESS OTHERWISE SPECIFIED.
 DIMENSIONS ARE SHOWN TO UNLESS OTHERWISE SPECIFIED.
 DIMENSIONS ARE SHOWN TO UNLESS OTHERWISE SPECIFIED.
 DIMENSIONS ARE SHOWN TO UNLESS OTHERWISE SPECIFIED.
 DIMENSIONS ARE SHOWN TO UNLESS OTHERWISE SPECIFIED.

SAFETY AND KEY SYMBOLS:
 □ SAFETY SYMBOLS
 ○ KEY SYMBOLS
 MATERIALS:
 ○ MATERIALS NOT APPLICABLE
 ○ MATERIALS NOT APPLICABLE
 ○ MATERIALS NOT APPLICABLE
 ○ MATERIALS NOT APPLICABLE
 ○ MATERIALS NOT APPLICABLE

DATE: 12/03/14
 DRAWN BY: SS
 CHECKED BY: SS
 ENGINEER: SS
 APPROVED BY: SS
 UNIT: 1068152-YTG-L-0815
 END: WOODWARD 09-15-13
 SCALE: 0.100

REVISION RECORD

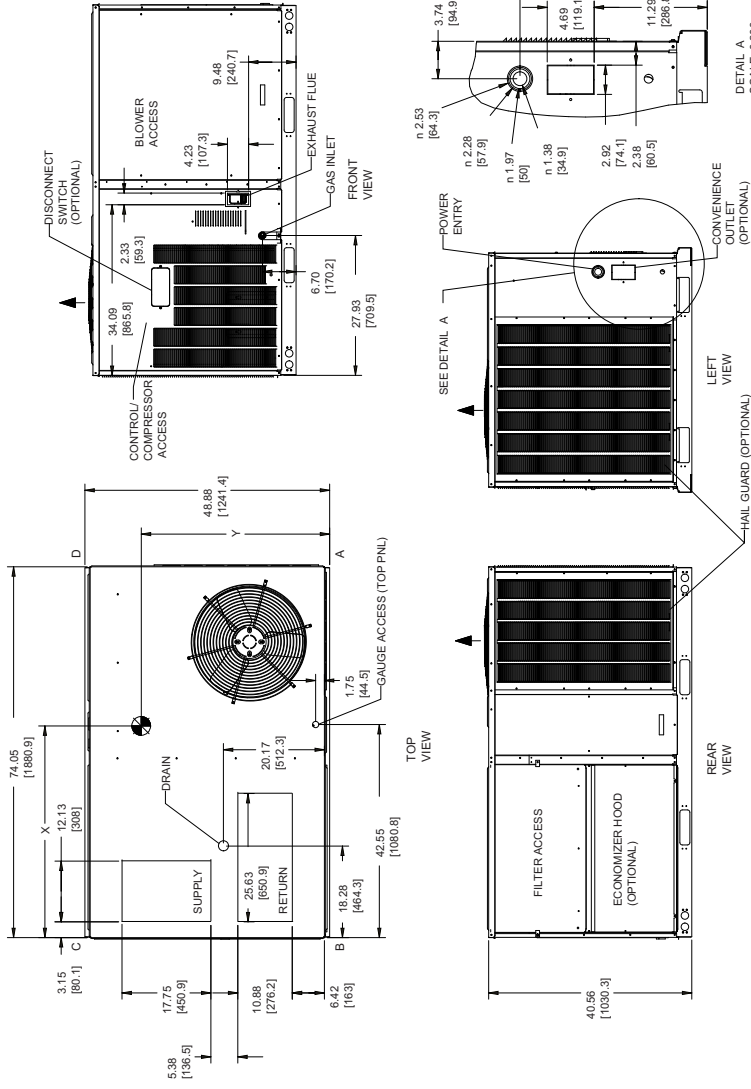
REVISION RECORD

REVISION RECORD

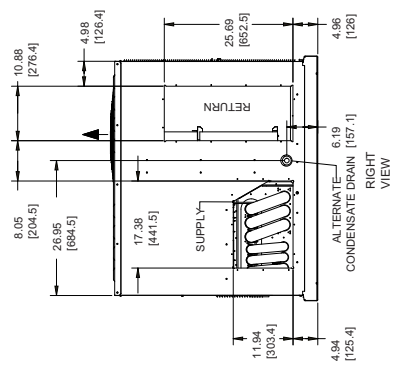
REVISION RECORD

ZX07 and ZY05-06

TONNAGE	U	N	OPERATING WEIGHT (BASE UNIT)	CENTER OF GRAVITY LOCATION (BASE UNIT)				4 POINT CORNER LOADS (LBS) (BASE UNIT)			
				X	Y	A	B	C	D		
6	ZX	592	2288.9	36.80(0)	24.80(0)	148.87(1)	140.83(9)	148.87(1)	150.70(7)		
4	ZY	564	2255.8	36.80(0)	24.80(0)	141.83(9)	138.81(7)	141.83(9)	146.86(2)		
5	ZY	562	2243.9	36.80(0)	24.80(0)	144.85(7)	139.83(9)	144.85(7)	151.88(9)		



- NOTES:
- FOR OUTDOOR USE ONLY.
 - WEIGHTS SHOWN ARE FOR COOLING ONLY UNITS.
 - RIGHT SIDE: 18 (450) WIDE CONDENSATE DRAIN: 24 (600)
 - LEFT SIDE: 12 (300) W/PICSTAIL - 18 (450)
 - FRONT: 36 (900)
 - BACK: 18 (450)
 - TOP: 72 (1800)
 - BOTTOM: 1 (25)
 - REMOVED.
 - MINIMUM CONDENSATION TRAP HEIGHT SHALL BE 1.5 TIMES CONDENSATE DRAIN LENGTH.
 - DIMENSIONS IN PARENTHESIS ARE IN MILLIMETERS OR KILOGRAMS.
 - OPTIONAL COIL GUARDS, GAS HEAT, DISCONNECT SWITCH SHOWN.
 - TOP PANEL EMBOSSEMENTS NOT SHOWN FOR DIMENSION CLARITY.
 - HEAT EXCHANGER IS TYPICAL OF HIGH GAS HEAT OPTION.

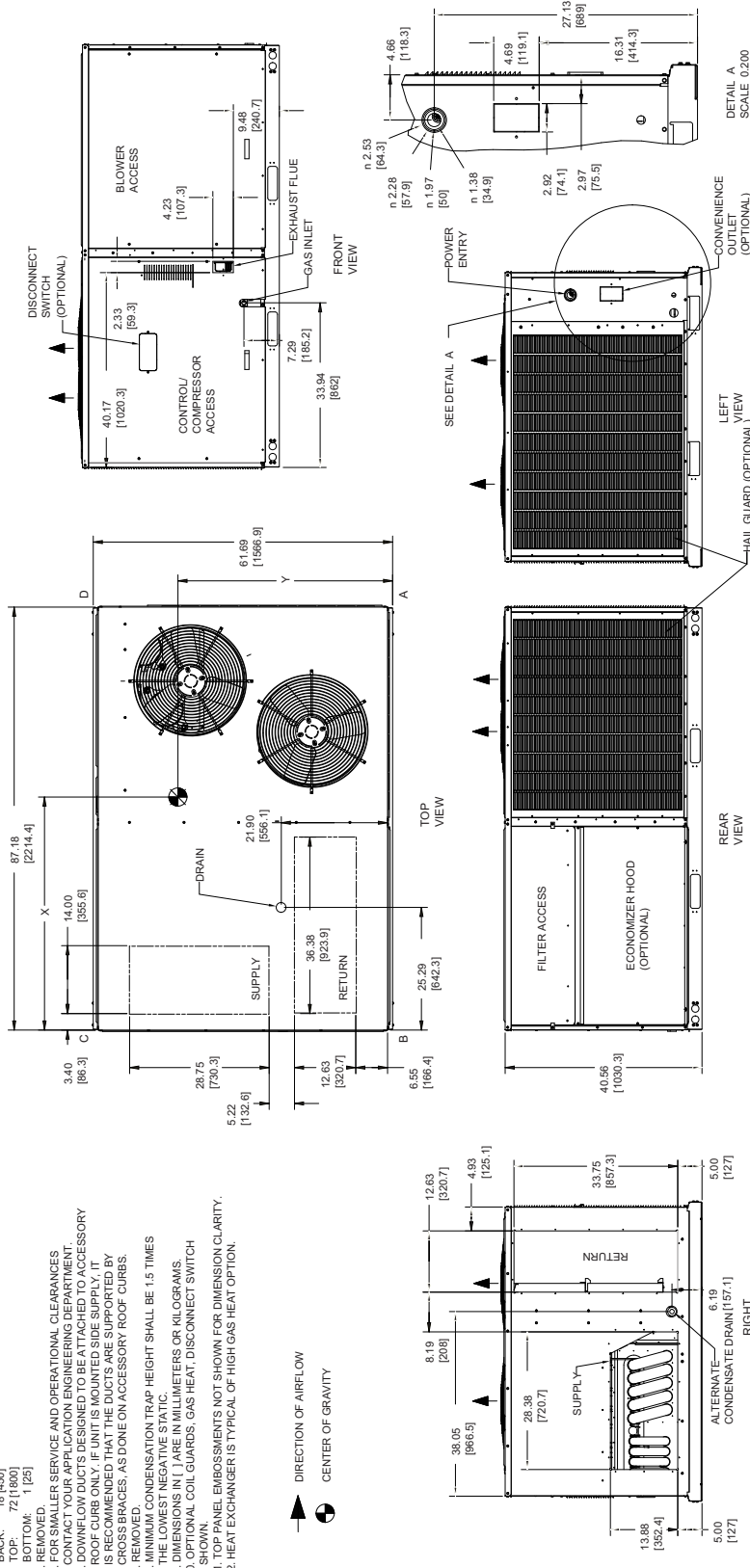


REV	DATE	DESCRIPTION	EC NO	DR	CK	ENG	THIRD ANGLE PROJECTION	REVISION RECORD
A	09-13-13	NEW DRAWING	27375	RGJ	JC	DW		
B	12-23-14	REVISE CLEARANCES (NOTE 3), REMOVE EXTRA DIMS FROM VIEW A	37128	RGJ	TP	S.A.R		

ALL DIMENSIONS FOR THIS SUBJECT MATTER ARE TO BE GIVEN AS INDICATED UNLESS OTHERWISE SPECIFIED. DIMENSIONS ARE TO CENTER UNLESS OTHERWISE SPECIFIED. DIMENSIONS TO CENTER UNLESS OTHERWISE SPECIFIED.	
SUBMITTAL DWG, CDR, 1 ODF, 40.5" CAB	TYPE: NOT APPLICABLE SIZE: NOT APPLICABLE ENG SPEC: NOT APPLICABLE
JOHNSTON CONTROLS UNITARY PRODUCTS GROUP NORMAL, OH, 43069	PART NO. 1068152 UNIT-CDR-10DEFST SCALE: 0.200

ZX08 and ZY07

TONNAGE		OPERATING WEIGHT (LBS) (BASE UNIT)		CENTER OF GRAVITY LOCATION (BASE UNIT)			
U	T	X	Y	A	B	C	D
7.5	7.5	46 [1190]	38 [900]	218 [89.9]	244 [110.7]	174 [79.9]	155 [70.3]
6	6	74 [333.8]	38 [900]	208 [84.3]	213 [94.6]	158 [77.7]	154 [89.9]



- NOTES:
- OUTDOOR USE ONLY.
 - WEIGHTS SHOWN ARE FOR COOLING ONLY UNITS.
 - RECOMMENDED MIN CLEARANCES:
 - RIGHT SIDE: 18 (450) W/SIDE CONDENSATE DRAIN: 24 (600)
 - LEFT SIDE: 12 (300) W/PIGTAIL: 18 (450)
 - FRONT: 48 (1200)
 - BACK: 18 (450)
 - TOP: 72 (1800)
 - REMOVED: 1 (25)
 - REMOVED.
 - FOR SMALLER SERVICE AND OPERATIONAL CLEARANCES CONTACT YOUR APPLICATION ENGINEERING DEPARTMENT.
 - DOWNFLOW DUCTS DESIGNED TO BE ATTACHED TO ACCESSORY ROOF CURB ONLY. IF UNIT IS MOUNTED SIDE SUPPLY, IT IS RECOMMENDED THAT THE DUCTS ARE SUPPORTED BY CROSS BRACES, AS DONE ON ACCESSORY ROOF CURBS.
 - REMOVED. CONDENSATION TRAP HEIGHT SHALL BE 1.5 TIMES THE LOWEST NEGATIVE STATIC PRESSURE.
 - DIMENSIONS IN [] ARE IN MILLIMETERS OR KILOGRAMS.
 - OPTIONAL COIL GUARDS, GAS HEAT, DISCONNECT SWITCH SHOWN.
 - TOP PANEL EMBOSSEMENTS NOT SHOWN FOR DIMENSION CLARITY.
 - HEAT EXCHANGER IS TYPICAL OF HIGH GAS HEAT OPTION.



REV	DATE	DESCRIPTION	EC	NO	DR	CK	ENG
A	09-13-13	NEW DRAWING	27275	RGS	J.C.	DW	
B	12-03-14	REVISE CLEARANCES (NOTE 3). REMOVE EXTRA DIMS FROM VIEW A	37328	RGS	TFS	AJR	

REVISION RECORD		THIRD ANGLE PROJECTION	SCALE
SCALE: 0.100			

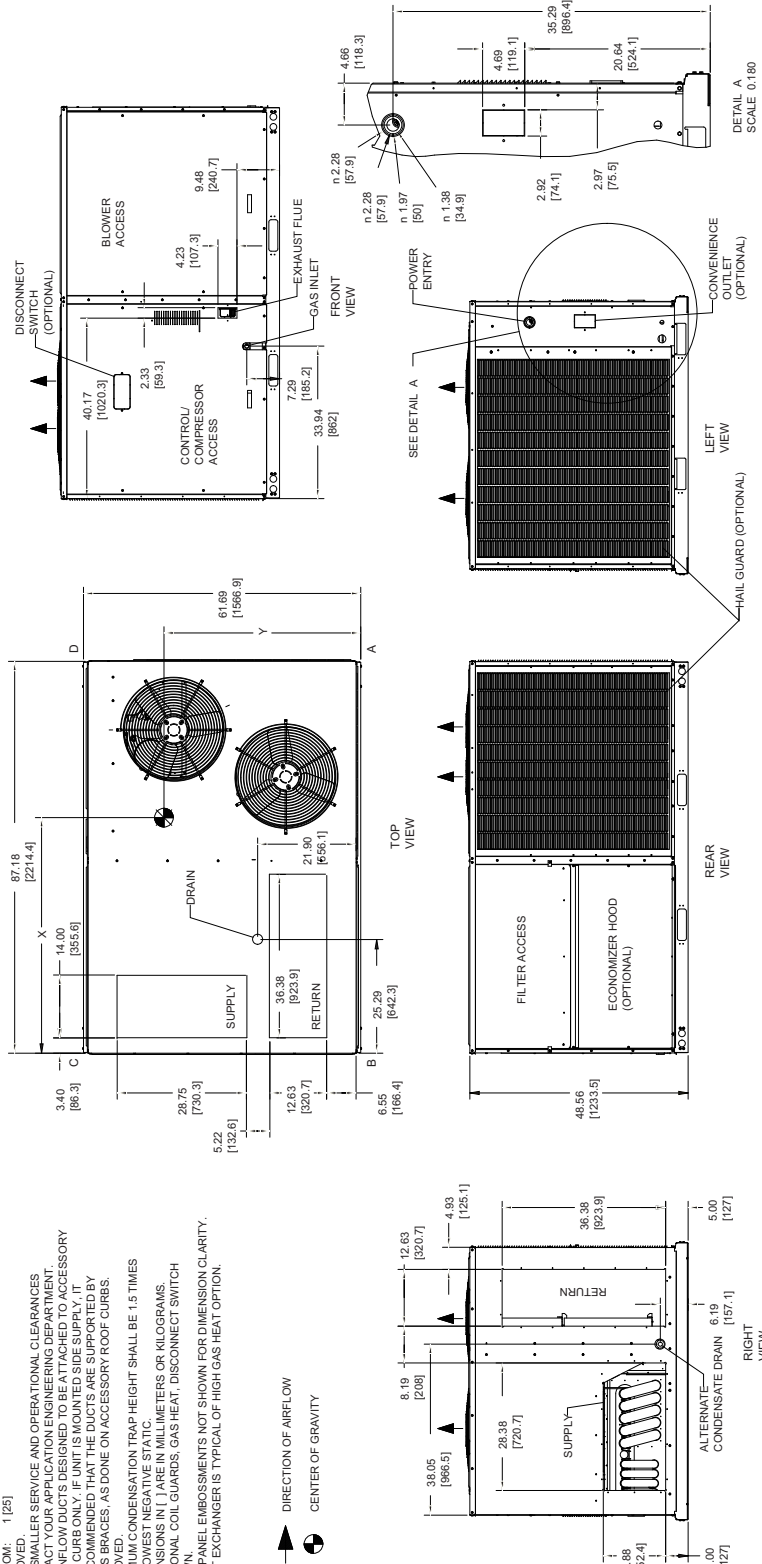
SAFETY AND KEY		TYPE	NOT APPLICABLE
UNITS	SI	TYPE	NOT APPLICABLE
UNITS	SI	ENG SPEC NOT APPLICABLE	
UNITS	SI	SIZE	
UNITS	SI	UNIT	UST-CDR-200FLS
UNITS	SI	DATE	08/20/14

SUBMITTAL DWG. CDR		JOHNSON CONTROLS	
2. CDR, 40, 5' CAB		UNIFARY PRODUCTS GROUP	
		NORMAN, OK 73069	

ZX09/12 and ZY08/09

TONNAGE	U	N	OPERATING (BASE UNIT)	CENTER OF GRAVITY LOCATION (BASE UNIT)				4 POINT CORNER LOADS (LBS) (BASE UNIT)					
				X	Y	A	B		C	D			
8.5	ZX	852	852	30	100	230	104.3	262	118.8	192	87.1	188	79.2
10	ZX	873	873	30	100	262	109.8	271	122.9	192	87.1	172	79.0
7.5	ZY	873	873	46	115.6	239	106.4	271	122.9	196	86.9	173	78.9
8.5	ZY	873	873	46	115.6	241	106.3	265	120.3	195	86.4	177	80.3

- NOTES:
- FOR OUTDOOR USE ONLY.
 - HEIGHTS SHOWN ARE FOR COOLING ONLY UNITS.
 - RIGHT SIDE: 18 (450) W/PIPE CLEARANCE.
 - LEFT SIDE: 12 (300) W/PIPE CLEARANCE.
 - FRONT: 48 (1200)
 - BACK: 18 (450)
 - TOP: 72 (1800)
 - REMOVE CONDENSATE TRAP AND OPERATIONAL CLEARANCES.
 - CONTACT YOUR APPLICATION ENGINEERING DEPARTMENT.
 - DOWNFLOW DUCTS DESIGNED TO BE ATTACHED TO ACCESSORY ROOF CURB ONLY. IF UNIT IS MOUNTED SIDE SUPPLY, IT IS RECOMMENDED THAT THE DUCTS ARE SUPPORTED BY CROSS BRACES, AS DONE ON ACCESSORY ROOF CURBS.
 - REMOVE CONDENSATION TRAP HEIGHT SHALL BE 1.5 TIMES THE HEIGHT OF THE UNIT.
 - DIMENSIONS IN () ARE IN MILLIMETERS OR KILOGRAMS.
 - OPTIONAL COIL GUARDS, GAS HEAT, DISCONNECT SWITCH SHOWN.
 - TOP PANEL EMBOSSEMENTS NOT SHOWN FOR DIMENSION CLARITY.
 - HEAT EXCHANGER IS TYPICAL OF HIGH GAS HEAT OPTION.



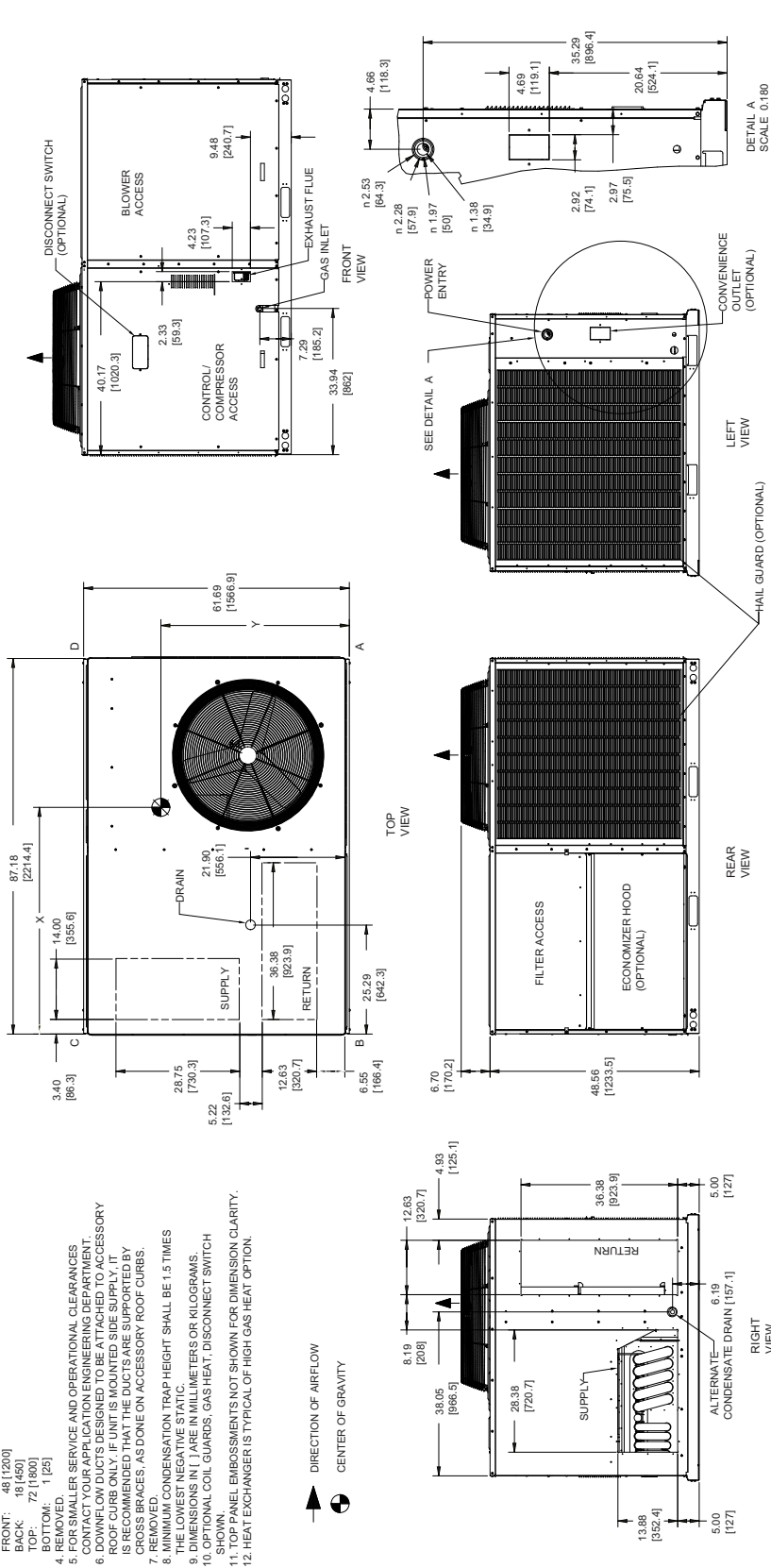
REV.	DATE	DESCRIPTION	EC NO	DR	CK	ENG	THIRD ANGLE PROJECTION	DESIGNER	SCALE
A	09-13-13	NEW DRAWING	27375	REG	JC	DW	THIRD ANGLE PROJECTION	JOHNSON CONTROLS	SCALE 0.180
B	12-03-14	REVISE CLEARANCES (NOTE 3); REMOVE EXTRADIMS FROM VIEW A	37128	REG	TPS	AJR	THIRD ANGLE PROJECTION	JOHNSON CONTROLS	SCALE 0.180

REV.	DATE	DESCRIPTION	EC NO	DR	CK	ENG	THIRD ANGLE PROJECTION	DESIGNER	SCALE
A	09-13-13	NEW DRAWING	27375	REG	JC	DW	THIRD ANGLE PROJECTION	JOHNSON CONTROLS	SCALE 0.180
B	12-03-14	REVISE CLEARANCES (NOTE 3); REMOVE EXTRADIMS FROM VIEW A	37128	REG	TPS	AJR	THIRD ANGLE PROJECTION	JOHNSON CONTROLS	SCALE 0.180

REV.	DATE	DESCRIPTION	EC NO	DR	CK	ENG	THIRD ANGLE PROJECTION	DESIGNER	SCALE
A	09-13-13	NEW DRAWING	27375	REG	JC	DW	THIRD ANGLE PROJECTION	JOHNSON CONTROLS	SCALE 0.180
B	12-03-14	REVISE CLEARANCES (NOTE 3); REMOVE EXTRADIMS FROM VIEW A	37128	REG	TPS	AJR	THIRD ANGLE PROJECTION	JOHNSON CONTROLS	SCALE 0.180

ZX14 and ZY12

TONNAGE		OPERATING WEIGHT (LBS) (BASE UNIT)		CENTER OF GRAVITY LOCATION (BASE UNIT)			
		N	T	X	Y	A	D
12.5	10	ZX	ZY	46 (1126)	36 (900)	265 (1262)	203 (82.1)
				46 (1126)	36 (900)	240 (113.0)	199 (80.3)
						287 (121.1)	198 (84.4)



- NOTES:
- FOR OUTDOOR USE ONLY.
 - WEIGHTS SHOWN ARE FOR COOLING ONLY UNITS.
 - RECOMMENDED MIN. CLEARANCES:
RIGHT SIDE: 18 (450) WIDE CONDENSATE DRAIN: 24 (600)
LEFT SIDE: 12 (300) W/PIGTAIL: 18 (450)
FRONT: 48 (1200)
BACK: 18 (450)
TOP: 7 (1780)
BOTTOM: 1 (25)
 - REMOVED.
 - FOR SMALLER SERVICE AND OPERATIONAL CLEARANCES, CONTACT YOUR APPLICATION ENGINEERING DEPARTMENT.
 - DOWNFLOW DUCTS DESIGNED TO BE ATTACHED TO ACCESSORY ROOF CURB ONLY. IF UNIT IS MOUNTED SIDE SUPPLY, IT IS RECOMMENDED THAT THE DUCTS ARE SUPPORTED BY CROSS BRACES, AS DONE ON ACCESSORY ROOF CURBS.
 - MINIMUM CONDENSATION TRAP HEIGHT SHALL BE 1.5 TIMES THE LOWEST NEGATIVE STATIC.
 - DIMENSIONS IN [] ARE IN MILLIMETERS OR KILOGRAMS.
 - OPTIONAL COIL GUARDS, GAS HEAT, DISCONNECT SWITCH SHOWN.
 - TOP PANEL EMBOSMENTS NOT SHOWN FOR DIMENSION CLARITY.
 - HEAT EXCHANGER IS TYPICAL OF HIGH GAS HEAT OPTION.

REV	DATE	NEW DRAWING	REVISION RECORD	EG NO	DR	CK	ENG
B	12/03/14	REVISE CLEARANCES (NOTE 3); REMOVE EXTRA DIMS FROM VIEW A		3723	RCC	UC	DNV
				3723	RCC	TPS	ABR

SAFETY AND KEY		MATERIAL	
△	NOT APPLICABLE	TYPE	NOT APPLICABLE
□	NOT APPLICABLE	FINISH	SPRINK NOT APPLICABLE

SUBMITTAL DWG. CDR.		JOHNSON CONTROLS UNITARY PRODUCTS GROUP	
1	ODP-46.5 CAB	DWG NO.	UST-CDR-TODFLT
		REV	B

ZX04-07, ZY04-06 Unit Clearances

Direction	Distance (in.)	Direction	Distance (in.)
Top ¹	72	Right	18
Front	36	Left	12
Rear	18 ² /36 ³	Bottom ⁴	1

1. Units must be installed outdoors. Over hanging structure or shrubs should not obscure condenser air discharge outlet.
2. Units without economizer or power exhaust.
3. Units equipped with an Economizer or Power Exhaust. Flue products must not be discharged within 10 Feet of the rear of the unit.
4. Units may be installed on combustible floors made from wood or class A, B or C roof covering materials.

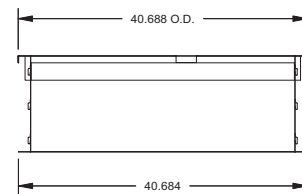
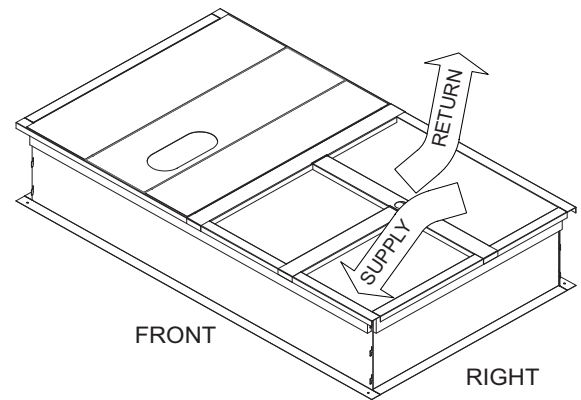
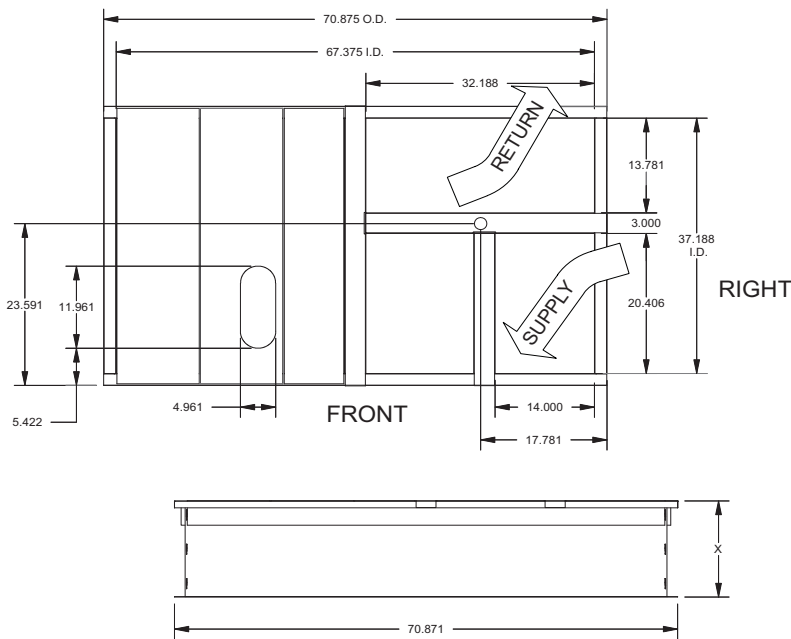
ZX08-14, ZY07-12 Unit Clearances

Direction	Distance (in.)	Direction	Distance (in.)
Top ¹	72	Right	18
Front	48	Left	12
Rear	18 ² /36 ³	Bottom ⁴	1

1. Units must be installed outdoors. Over hanging structure or shrubs should not obscure condenser air discharge outlet.
2. Units without economizer or power exhaust.
3. Units equipped with an Economizer or Power Exhaust. Flue products must not be discharged within 10 Feet of the rear of the unit.
4. Units may be installed on combustible floors made from wood or class A, B or C roof covering materials.

ZX04-14/ZY04-12 Unit Roof Curb Dimensions

1RC0456, 1RC0458 Roof Curb Dimensions



1RC0456 X= 14" Height
 1RC0458 X= 24" Height

Notes:

1. Sides, ends and cross support are 18-G90. Deck pans, R/A & S/A supports are 20-G90.
2. Full perimeter wood nailer.
3. Insulated deck pans.

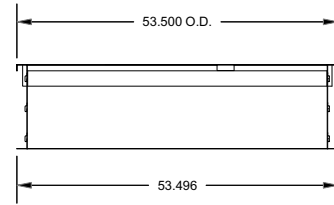
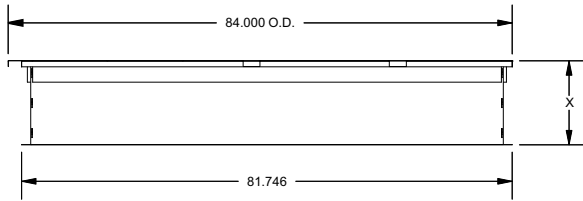
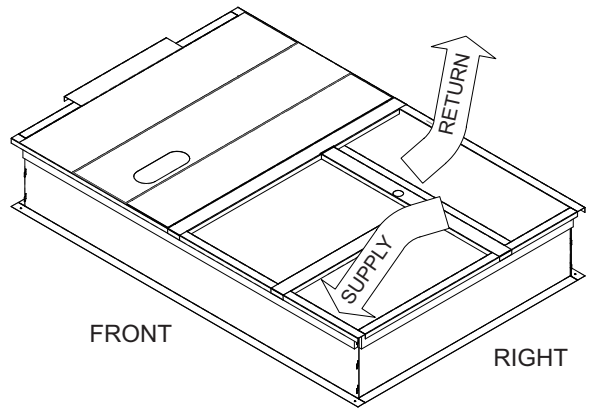
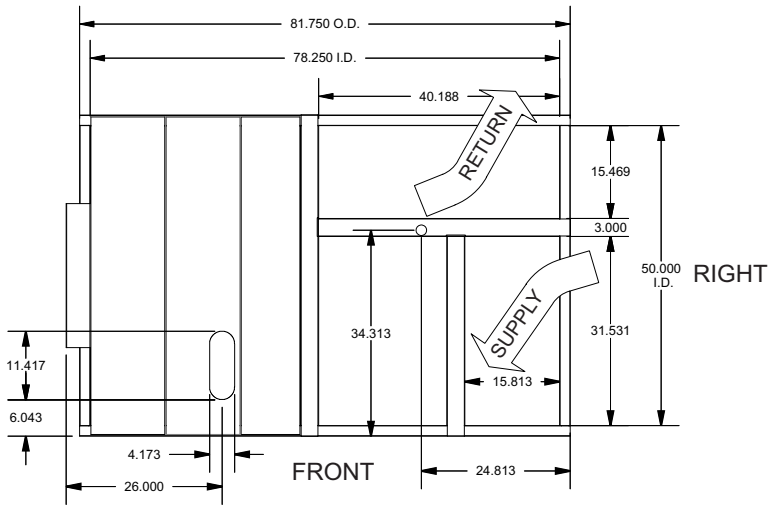
Unit Models used with 1RC0456, 1RC0458 Roof Curb

ZX04	ZY04
ZX05	ZY05
ZX06	ZY06
ZX07	

NOTE: If utilities are required thru the base of the unit or thru the roof curb the following field installed accessories can be purchased thru your dealer or contractor:

- 1TB0401 - Thru the base electrical and thru the curb gas
- 1TB0403 - Thru the base electrical and gas

1RC0457, 1RC0459 Roof Curb Dimensions



1RC0457 X= 14" Height
 1RC0459 X= 24" Height

Notes:

1. Sides, ends, unit locator and cross support are 18-G90. Deck pans, R/A & S/A supports are 20-G90.
2. Full perimeter wood nailer.
3. Insulated deck pans.

Unit Models used with 1RC0457, 1RC0459 Roof Curb

ZX08	ZY07
ZX09	ZY08
ZX12	ZY09
ZX14	ZY12

NOTE: If utilities are required thru the base of the unit or thru the roof curb the following field installed accessories can be purchased thru your dealer or contractor:

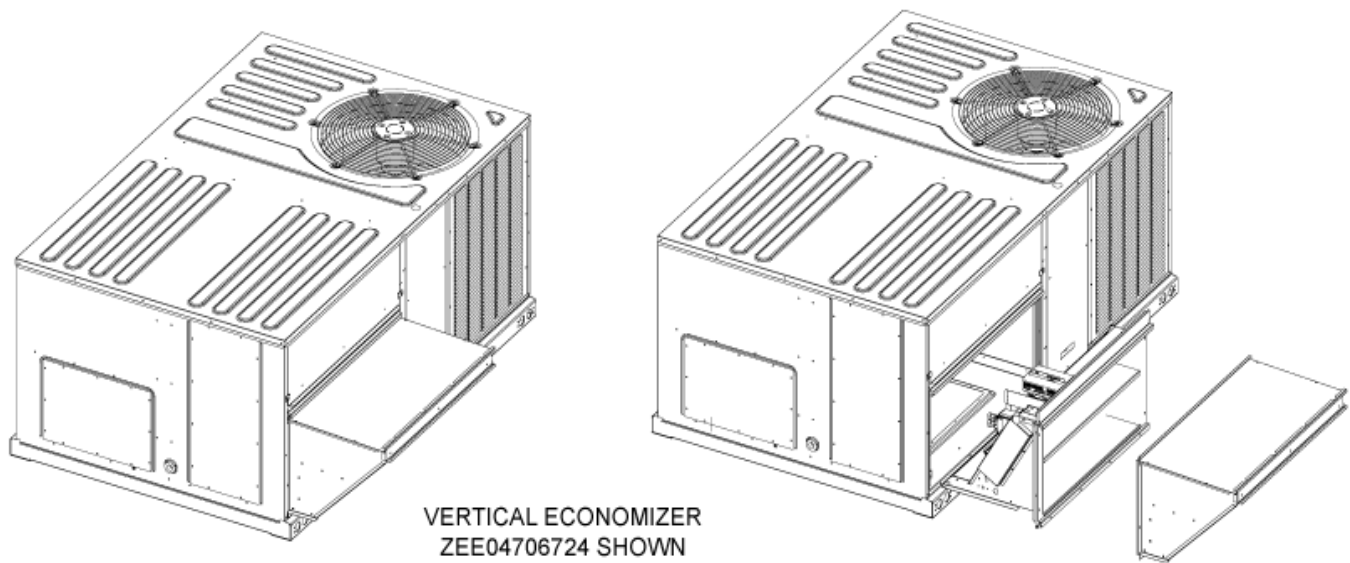
- 1TB0402 - Thru the base electrical and thru the curb gas
- 1TB0404 - Thru the base electrical and gas

Economizer Options

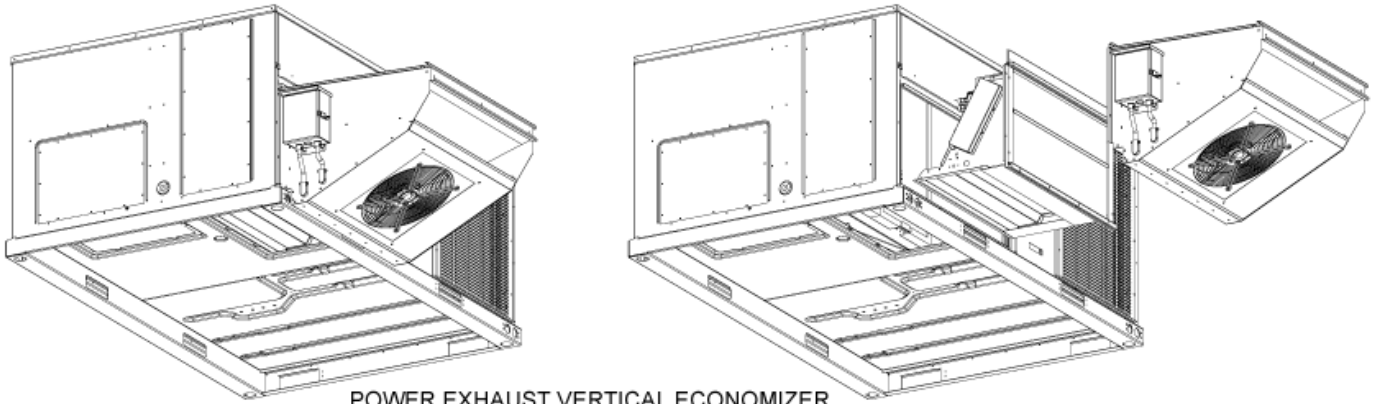
Economizer Usage

Application	Description	Accessory Kit Number
Economizer Vertical Flow	Econ, DB, Vertical Flow, Small Footprint	2EE04706724
	Econ, DB, Vertical Flow, Large Footprint	2EE04706824
Economizer Horizontal Flow	Econ, DB, Horizontal Flow, Small Footprint, Short Cabinet	2EE04707024
	Econ, DB, Horizontal Flow, Small Footprint, Tall Cabinet	2EE04707124
	Econ, DB, Horizontal Flow, Large Footprint, Short Cabinet	2EE04707224
	Econ, DB, Horizontal Flow, Large Footprint, Tall Cabinet	2EE04707324
Power Exhaust Vertical Flow	Power Exhaust Vert Flow Small Footprint 208V-230V 1-ph	2PE04704206
	Power Exhaust Vert Flow Small Footprint 208V-230V 3-ph	2PE04704225
	Power Exhaust Vert Flow Small Footprint 460V 3-ph	2PE04704246
	Power Exhaust Vert Flow Small Footprint 575V 3-ph	2PE04704258
	Power Exhaust Vert Flow Large Footprint 208V-230V 1-ph	2PE04704306
	Power Exhaust Vert Flow Large Footprint 208V-230V 3-ph	2PE04704325
	Power Exhaust Vert Flow Large Footprint 460V 3-ph	2PE04704346
	Power Exhaust Vert Flow Large Footprint 575V 3-ph	2PE04704358
Power Exhaust Horizontal Flow	Power Exhaust Horiz Flow Small Footprint 208V-230V 1-ph	2PE04704406
	Power Exhaust Horiz Flow Small Footprint 208V-230V 3-ph	2PE04704425
	Power Exhaust Horiz Flow Small Footprint 460V 3-ph	2PE04704446
	Power Exhaust Horiz Flow Small Footprint 575V 3-ph	2PE04704458
	Power Exhaust Horiz Flow Large Footprint 208V-230V 1-ph	2PE04704506
	Power Exhaust Horiz Flow Large Footprint 208V-230V 3-ph	2PE04704525
	Power Exhaust Horiz Flow Large Footprint 460V 3-ph	2PE04704546
	Power Exhaust Horiz Flow Large Footprint 575V 3-ph	2PE04704558

Field Installed Vertical Flow Economizer

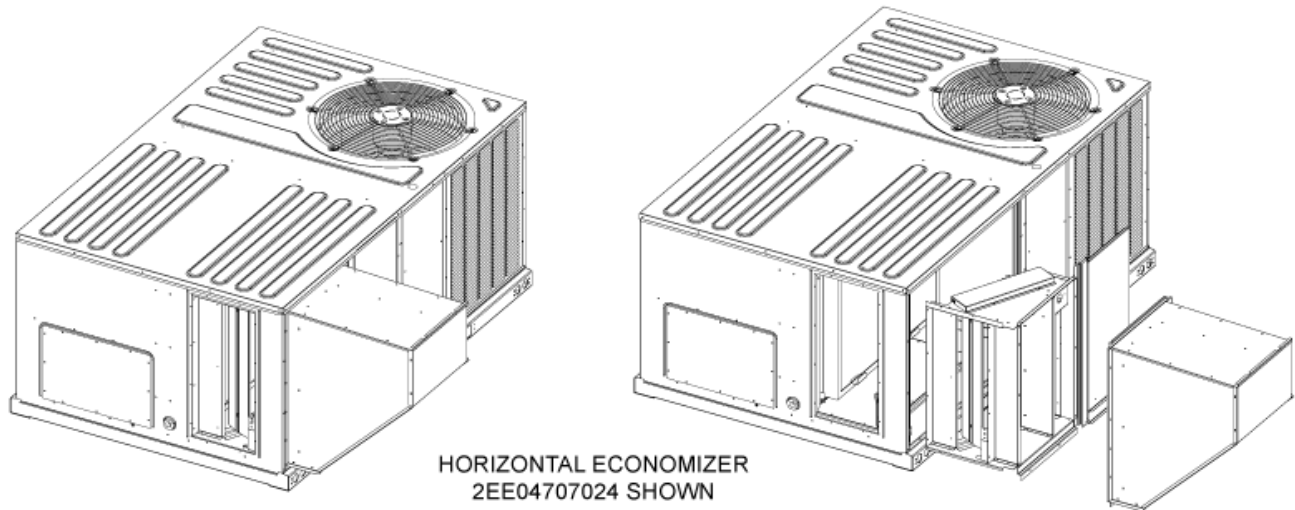


Field Installed Vertical Flow Economizer W/Power Exhaust



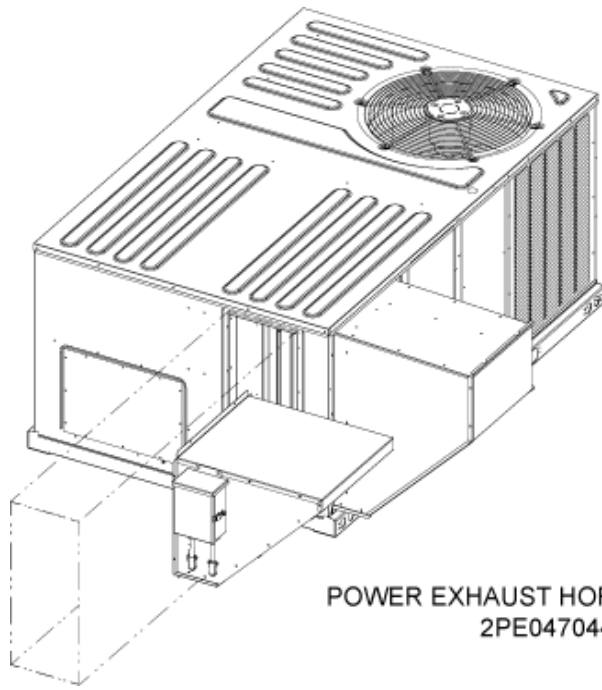
POWER EXHAUST VERTICAL ECONOMIZER
2PE04704206 SHOWN

Field Installed Horizontal Flow Economizer

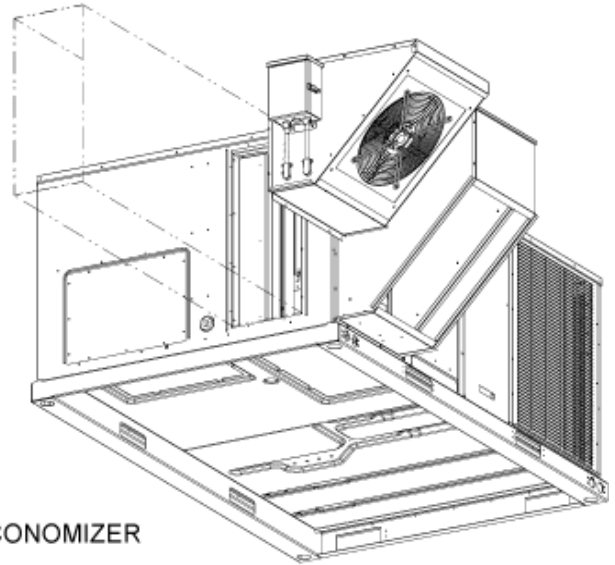


HORIZONTAL ECONOMIZER
2EE04707024 SHOWN

Field Installed Horizontal Flow Economizer W/Power Exhaust



POWER EXHAUST HORIZONTAL ECONOMIZER
2PE04704406 SHOWN



Guide Specifications

YORK® GUIDE MECHANICAL SPECIFICATIONS SINGLE PACKAGE AIR CONDITIONERS

3 THRU 12-1/2 NOMINAL TONS

PRESTIGE® SERIES

Size Range: 3 to 12-1/2 Tons Nominal Cooling

45,000 to 200,000 BTUH Nominal Gas Heating Output

Model Series: ZX & ZY

DIVISION 23 – HEATING, VENTILATING, AND AIR-CONDITIONING (HVAC)

<u>Number</u>	<u>Title</u>
---------------	--------------

23 00 00	HEATING, VENTILATING, AND AIR-CONDITIONING (HVAC)
----------	---

23 06 00	Schedules for HVAC
----------	--------------------

23 06 80	Schedules for Decentralized HVAC Equipment
----------	--

23 06 80.13	Decentralized Unitary HVAC Equipment Schedule
-------------	---

23 06 80.13.A.	Rooftop unit schedule
----------------	-----------------------

23 07 00	HVAC Insulation
----------	-----------------

23 07 16	HVAC Equipment Insulation
----------	---------------------------

23 07 16.13	Decentralized, Rooftop Units:
-------------	-------------------------------

23 07 16.13.A.	Evaporator fan compartment:
----------------	-----------------------------

1. Interior cabinet surfaces shall be insulated with a minimum 1/2- in. thick, minimum 1 1/2 lb density, flexible fiberglass insulation coated on the air side.

2. Insulation and adhesive shall meet NFPA 90A requirements for flame spread and smoke generation.

23 07 16.13.B.	Gas heat compartment:
----------------	-----------------------

1. Aluminum foil- faced fiberglass insulation shall be used.

2. Insulation and adhesive shall meet NFPA 90A requirements for flame spread and smoke generation.

23 09 00	Instrumentation and Control for HVAC
----------	--------------------------------------

23 09 13 Instrumentation and Control Devices for HVAC

23 09 13.23 Sensors and Transmitters

23 09 13.23.A. Thermostats

1. Thermostat must
 - a. energize "G" when calling for fan only or continuous fan.
 - b. have capability to energize 2 different stages of cooling, and 2 different stages of heating.
 - c. include capability for occupancy scheduling.

23 09 23 Direct- digital Control system for HVAC

23 09 23.13 Decentralized, Rooftop Units:

23 09 23.13.A. Simplicity SE (Unit based microprocessor control)

1. Shall be ASHRAE 62- 2001 compliant.
 2. Shall include an integrated economizer controller to support an economizer with 2 to 10 v DC actuator input.
 3. Controller shall accept the following inputs: space temperature, setpoint adjustment, outdoor air temperature, indoor air quality, outdoor air quality, indoor relative humidity, compressor lockout, fire shutdown, enthalpy, fan status, remote time clock/door switch.
 4. Shall accept a CO2 sensor in the conditioned space, and be Demand Control Ventilation ready.
 5. Unit shall provide surge protection for the controller through a circuit breaker.
 6. Shall have an LED display independently showing the status of activity on the communication bus, and processor operation.
 7. Software upgrades will be accomplished by local download. Software upgrades through chip replacements are not allowed.
- A. Unit shall be complete with self-contained low-voltage control circuit protected by a resettable circuit breaker on the 24-volt transformer side.
- B. Unit shall incorporate a lockout circuit which provides reset capability at the space thermostat or base unit should any of the following standard safety devices trip and shut off compressor:
- C. Loss-of-charge/Low-pressure switch.
- D. High-pressure switch.
- E. Freeze-protection temperature sensor, evaporator coil. If any of the above safety devices trip, an LED (light-emitting diode) indicator shall flash a diagnostic code that indicates which safety switch has tripped.
- F. Unit shall incorporate "AUTO RESET" compressor over temperature, over current protection.
- G. Unit shall operate with conventional thermostat designs and have a low voltage terminal strip for easy hook-up.
- H. Unit control board shall have on-board diagnostics and fault code display.
- I. Standard controls shall include anti-short cycle and low voltage protection, and permit cooling operation down to 0 °F.
- J. Control board shall monitor each refrigerant safety switch independently.
- K. Control board shall retain last 5 fault codes in non-volatile memory, which will not be lost in the event of a power loss.
- #### 23 09 23.13.B. RTU Open - multi- protocol, direct digital controller:
1. Shall be ASHRAE 62- 2001 compliant.
 2. Shall include built- in protocol for BACNET , Modbus , and Johnson N2.
 3. Shall allow access of up to 62 network variables (SNVT). Shall be compatible with all open controllers
 4. Baud rate Controller shall be selectable using a dip switch.

5. Shall have an LED display independently showing the status of serial communication, running, errors, power, all digital outputs, and all analog inputs.
6. Shall accept the following inputs: space temperature, setpoint adjustment, outdoor air temperature, indoor air quality, outdoor air quality, compressor lock- out, fire shutdown, enthalpy switch, and fan status/filter status/ humidity/ remote occupancy.
7. Software upgrades will be accomplished by either local or remote download. No software upgrades through chip replacements are allowed.

23 09 33 Electric and Electronic Control System for HVAC

23 09 33.13 Decentralized, Rooftop Units:

23 09 33.13.A. General:

1. Shall be complete with self- contained low- voltage control circuit protected by a resettable circuit breaker on the 24- v transformer side. Transformer shall have 75VA capability.
2. Shall utilize color- coded wiring.
3. Shall include a central control terminal board to conveniently and safely provide connection points for vital control functions such as: smoke detectors, phase monitor, gas controller, economizer, thermostat, DDC control options, and low and high pressure switches.
4. The heat exchanger shall be controlled by an integrated gas controller (IGC) microprocessor. See heat exchanger section of this specification.

23 09 33.23.B. Safeties:

1. Compressor over- temperature, over- current. High internal pressure differential.
2. Low- pressure switch.
 - a. Units with 2 compressors shall have different sized connectors for the circuit 1 and circuit 2 **low and high** pressure switches. They shall physically prevent the cross- wiring of the safety switches between circuits 1 and 2.
 - b. Low pressure switch shall use different color wire than the high pressure switch. The purpose is to assist the installer and service technician to correctly wire and or troubleshoot the rooftop unit.
3. High- pressure switch.
 - a. Units with 2 compressors shall have different sized connectors for the circuit 1 and circuit 2 **low and high** pressure switches. They shall physically prevent the cross- wiring of the safety switches between circuits 1 and 2.
 - b. High pressure switch shall use different color wire than the low pressure switch. The purpose is to assist the installer and service technician to correctly wire and or troubleshoot the rooftop unit.
4. Automatic reset, motor thermal overload protector.
5. Heating section shall be provided with the following minimum protections:
 - a. High- temperature limit switches.
 - b. Induced draft motor speed sensor.
 - c. Flame roll-out switch.
 - d. Flame proving controls

23 09 93 Sequence of Operations for HVAC Controls

23 09 93.13 Decentralized, Rooftop Units:

23 09 93.13 INSERT SEQUENCE OF OPERATION

23 40 13 Panel Air Filters

23 40 13.13 Decentralized, Rooftop Units:

23 40 13.13.A. Standard filter section

1. Shall consist of factory- installed, low velocity, disposable 2" or 4" thick fiberglass filters of commercially available sizes.
2. Units can accept 2" or 4" filters and have a field convertible toolless
3. Filters shall be accessible through an access panel with toolless removal as described in the unit cabinet section of this specification (23 81 19.13.H).

23 81 19 Self- Contained Air Conditioners

23 81 19.13 Small- Capacity Self- Contained Air Conditioners

23 81 19.13.A. General

1. Outdoor, rooftop mounted, electrically controlled, heating and cooling unit utilizing a fully hermetic scroll compressor(s) for cooling duty and gas combustion for heating duty.
2. Factory assembled, single- piece heating and cooling rooftop unit. Contained within the unit enclosure shall be all factory wiring, piping, controls, and special features required prior to field start- up.
3. Unit shall use environmentally sound, R-410A refrigerant.
4. Unit shall be installed in accordance with the manufacturer's instructions.
5. Unit must be selected and installed in compliance with local, state, and federal codes.

23 81 19.13.B. Quality Assurance

1. Unit meets ASHRAE 90.1 minimum efficiency requirements.
2. ZY units are Energy Star certified.
3. Unit shall be rated in accordance with AHRI Standards 210/240 or 340/360.
4. Unit shall be designed to conform to ASHRAE 15, 2001.
5. Unit shall be UL- tested and certified in accordance with ANSI Z21.47 -2012/CSA 2.3-2012, CSA C22.2 No. 236-11 (UL 1995) 4th edition and CSA C22.2 No. 3 - M 1988.
6. Insulation and adhesive shall meet NFPA 90A requirements for flame spread and smoke generation.
7. Unit casing shall be capable of withstanding 1000- hour salt spray exposure per ASTM B117 (scribed specimen).
8. Unit shall be designed in accordance with ISO 9001, and shall be manufactured in a facility registered by ISO 9001.
9. Roof curb shall be designed to conform to NRCA Standards.
10. Unit shall be subjected to a completely automated run test on the assembly line. The data for each unit will be stored at the factory, and must be available upon request.
11. Unit shall be designed in accordance with UL Standard 1995, including tested to withstand rain.
12. Unit shake tested to assurance level 1, ASTM D4169 to ensure shipping reliability.
13. High Efficient Motors listed shall meet section 313 of the Energy Independence and Security Act of 2007 (EISA 2007).

23 81 19.13.C. Delivery, Storage, and Handling

1. Unit shall be stored and handled per manufacturer's recommendations.

23 81 19.13.E. Project Conditions

1. As specified in the contract.

23 81 19.13.F. Operating Characteristics

1. Unit shall be capable of starting and running at 125°_F (52°_C) ambient outdoor temperature, meeting maximum load criteria of AHRI Standard 210/240 or 340/360 at ± 10% voltage.
2. Compressor with standard controls shall be capable of operation down to 0°_F (2°_C), ambient outdoor temperatures. See below for head pressure control package or winter start kit.
3. Unit shall discharge supply air vertically or horizontally as shown on contract drawings.
4. Unit shall be factory configured for vertical supply & return configurations.

5. Unit shall be field convertible from vertical to horizontal airflow on all models.
6. Unit shall be capable of mixed operation: vertical supply with horizontal return or horizontal supply with vertical return.

23 81 19.13.G. Electrical Requirements

1. Main power supply voltage, phase, and frequency must match those required by the manufacturer.

23 81 19.13.H. Unit Cabinet

1. **Unit cabinet shall be constructed of galvanized steel with exterior surfaces coated with a non-chalking, powder paint finish, certified at 1000 hour salt spray test per ASTM-B117 standards.**
2. Evaporator fan compartment interior cabinet insulation shall conform to AHRI Standards 210/240 or 340/360 minimum exterior sweat criteria. Interior surfaces shall be insulated with a minimum 1/2- in. thick, 1 1/2 lb density, flexible fiberglass insulation, neoprene coated on the air side. Aluminum foil- faced fiberglass insulation shall be used in the gas heat compartment. Fan shall be a belt drive assembly and include an adjustable pitch motor pulley. Job site selected brake horsepower shall not exceed the motors nameplate horsepower rating plus the service factor (Only premium efficiency motors have hp rating on the nameplate). Units shall be designed to operate within the service factor. Fan wheel shall be double inlet type with forward curve blades, dynamically balanced to operate smoothly throughout the entire range of operation. Airflow design shall be constant volume. Bearings shall be sealed and permanently lubricated for longer life and no maintenance.

Condenser Fan Assembly: The outdoor fans shall be of the direct drive type, discharge air vertically, have aluminum blades riveted to corrosion resistant steel spider brackets and shall be dynamically balanced for smooth operation. The outdoor fan motors shall have permanently lubricated bearings internally protected against overload conditions and staged independently.

3. Base of unit shall have a minimum of four locations for thru- the- base gas and electrical connections (factory installed or field installed), standard.
4. Base Rail
 - a. Unit shall have base rails on a minimum of 4 sides.
 - b. Holes shall be provided in the base rails for rigging shackles to facilitate maneuvering and overhead rigging.
 - c. Holes shall be provided in the base rail for moving the rooftop by fork truck.
 - d. Base rail shall be a minimum of 16 gauge thickness.
5. Condensate pan and connections:
 - a. Shall be an internally sloped condensate drain pan made of a non- corrosive material.
 - b. Shall comply with ASHRAE Standard 62.
 - c. Shall use a 3/4" - 14 NPT drain connection, possible either through the bottom or side of the drain pan. Connection shall be made per manufacturer's recommendations.
6. Top panel:
 - a. Shall be a single piece top panel.
7. Gas Connections:
 - a. All gas piping connecting to unit gas valve shall enter the unit cabinet at a single location on side of unit
 - b. Thru- the- base capability
 - (1.) Standard unit shall have a thru- the- base gas- line location using a raised, embossed portion of the unit base-pan.
 - (2.) Optional, factory- approved, water- tight connection method must be used for thru- the- base gas connections.
 - (3.) No base-pan penetration, other than those authorized by the manufacturer, is permitted.
8. Electrical Connections

a. All unit power wiring shall enter unit cabinet at a single, factory- prepared, knockout location. b. Thru- the- base capability.

(1.) Standard unit shall have a thru- the- base electrical location (s) using a raised, embossed portion of the unit base-pan.

(2.) Optional, factory- approved, water- tight connection method must be used for thru- the- base electrical connections.

(3.) No base-pan penetration, other than those authorized by the manufacturer, is permitted.

9. Component access panels (standard)

a. Cabinet panels shall be easily removable for servicing.

b. Unit shall have one factory installed, toolless, removable, filter access panel.

c. Panels covering control box, indoor fan, indoor fan motor, gas components (where applicable), and compressors shall have a molded composite handles.

d. Handles shall be UV modified, composite. They shall be permanently attached, and recessed into the panel.

e. Screws on the vertical portion of all removable access panel shall engage into heat resistant, molded composite collars.

f. Collars shall be removable and easily replaceable using manufacturer recommended parts.

23 81 19.13.I. Gas Heat

1. General

a. Heat exchanger shall be an induced draft design. Positive pressure heat exchanger designs shall not be allowed.

b. Shall incorporate a direct- spark ignition system and redundant main gas valve.

c. Gas supply pressure at the inlet to the rooftop unit gas valve must match that required by the manufacturer.

2. The heat exchanger shall be controlled by an integrated gas controller (IGC) microprocessor.

a. IGC board shall notify users of fault using an LED (light- emitting diode).

b. The LED shall be visible without removing the control box access panel.

c. IGC board shall contain algorithms that modify evaporator- fan operation to prevent future cycling on high temperature limit switch.

d. Unit shall be equipped with anti- cycle protection with one short cycle on unit flame roll-out switch or 4 continuous short cycles on the high temperature limit switch. Fault indication shall be made using an LED.

3. Standard Heat Exchanger construction

a. Heat exchanger shall be of the tubular- section type constructed of a minimum of 20- gauge steel coated with a nominal 1.2 mil aluminum- silicone alloy for corrosion resistance.

b. Burners shall be of the in- shot type constructed of aluminum- coated steel.

c. Burners shall incorporate orifices for rated heat output up to 2000 ft (610m) elevation. Additional accessory kits may be required for applications above 2000 ft (610m) elevation, depending on local gas supply conditions.

d. Each heat exchanger tube shall contain multiple dimples for increased heating effectiveness.

4. Optional Stainless Steel Heat Exchanger construction a. Use energy saving, direct- spark ignition system. b. Use a redundant main gas valve.

c. Burners shall be of the in- shot type constructed of aluminum- coated steel.

d. All gas piping shall enter the unit cabinet at a single location on side of unit (horizontal plane).

e. The optional stainless steel heat exchanger shall be of the tubular- section type, constructed of a minimum of 20- gauge type 409 stainless steel.

f. Type 409 stainless steel shall be used in heat exchanger tubes and vestibule plate

g. Complete stainless steel heat exchanger allows for greater application flexibility.

1. Optional Low NOx Heat Exchanger construction

- a. Primary tubes and vestibule plates on low NOx units shall be 409 stainless steel. Other components shall be aluminized steel.
2. Induced draft combustion motor and blower
 - a. Shall be a direct- drive, single inlet, forward- curved centrifugal type.
 - b. Shall be made from steel with a corrosion- resistant finish.
 - c. Shall have permanently lubricated sealed bearings.
 - d. Shall have inherent thermal overload protection.
 - d. Shall have an automatic reset feature.

23 81 19.13.J. Coils

1. Standard Aluminum Fin/Copper Tube Coils:
 - a. Standard evaporator and condenser coils shall have aluminum lanced plate fins mechanically bonded to seamless internally grooved copper tubes with all joints brazed.
 - b. Evaporator coils shall be leak tested to 150 psig, pressure tested to 450 psig, and qualified to CSA C22.2 No. 236-11 (UL 1995) 4th edition burst test at 1775 psig.
 - c. Condenser coils shall be leak tested to 150 psig, pressure tested to 650 psig, and qualified to CSA C22.2 No. 236-11 (UL 1995) 4th edition burst test at 1980 psig.
2. Optional EFIN- coated aluminum- fin evaporator and condenser coils:
 - a. Shall have a durable epoxy- phenolic coating to provide protection in mildly corrosive coastal environments.
 - b. Coating shall be applied to the aluminum fin stock prior to the fin stamping process to create an inert barrier between the aluminum fin and copper tube.
 - c. Epoxy- phenolic barrier shall minimize galvanic action between dissimilar metals.

23 81 19.13.K. Refrigerant Components

1. Refrigerant circuit shall include the following control, safety, and maintenance features:
 - a. Thermostatic Expansion Valve (TXV) shall help provide optimum performance across the entire operating range. Shall contain removable power element to allow change out of power element and bulb without removing the valve body. (Orifice on 3-5 Ton Units)
 - b. Refrigerant filter drier - Solid core design.
 - c. Service gauge connections on suction and discharge lines.
 - d. Pressure gauge access through a specially designed access port in the top panel of the unit.
2. There shall be gauge line access port in the skin of the rooftop, covered by a black, removable plug.
 - a. The plug shall be easy to remove and replace.
 - b. When the plug is removed, the gauge access port shall enable maintenance personnel to route their pressure gauge lines.
 - c. This gauge access port shall facilitate correct and accurate condenser pressure readings by enabling the reading with the compressor access panel on.
 - d. The plug shall be made of a leak proof, UV- resistant, composite material.
3. Compressors
 - a. Unit shall use fully hermetic, scroll compressor for each independent refrigeration circuit.
 - b. Compressor motors shall be cooled by refrigerant gas passing through motor windings.
 - c. Compressors shall be internally protected from high discharge temperature conditions.
 - d. Compressors shall be protected from an over- temperature and over- amperage conditions by an internal, motor overload device.
 - e. Compressor shall be factory mounted on rubber grommets.
 - f. Compressor motors shall have internal line break thermal, current overload and high pressure differential protection.
 - g. Crankcase heaters shall not be required for normal operating range, unless provided by the factory.

23 81 19.13.L. Filter Section

1. Filters access is specified in the unit cabinet section of this specification.
3. Shall consist of factory- installed, low velocity, throw- away 2” or 4” thick fiberglass filters.
3. Units can accept 2” or 4” filters and have a field convertible toolless

23 81 19.13.M. Evaporator Fan and Motor

1. Evaporator fan motor:
 - a. Shall have permanently lubricated bearings.
 - b. Shall have inherent automatic reset thermal protection (Only on single-phase, belt-drive motors, three - phase, belt-drive motors have internal thermostat used for external line-break control.).
2. Electric Drive (Direct Drive) X13 – 5 Speed/Torque Evaporator Fan:
 - a. Multi- speed motor with easy quick adjustment settings.
 - b. Blower fan shall be double- inlet type with forward- curved blades.
 - c. Shall be constructed from steel with a corrosion resistant finish and dynamically balanced.
3. Belt- driven Evaporator Fan:
 - a. Belt drive shall include an adjustable- pitch motor pulley.
 - b. Shall use sealed, permanently lubricated ball- bearing type.
 - c. Blower fan shall be double- inlet type with forward- curved blades.
 - d. Shall be constructed from steel with a corrosion resistant finish and dynamically balanced.

23 81 19.13.N. Condenser Fans and Motors

The outdoor fans shall be of the direct drive type, discharge air vertically, have aluminum blades riveted to corrosion resistant steel spider brackets and shall be dynamically balanced for smooth operation. The outdoor fan motors shall have permanently lubricated 60°C ball bearings internally protected against overload conditions and staged independently. A cleaning window shall be provided on two sides of the units for coil cleaning.

1. Condenser fan motors:
 - a. Shall be a totally enclosed motor.
 - b. Shall use permanently lubricated bearings.
 - c. Shall have inherent thermal overload protection with an automatic reset feature.
 - d. All models Shall use a shaft- down design except shaft- up on ZX14 & ZY12 size with rain shield.
2. Condenser Fans:
 - a. Shall be a direct- driven propeller type fan.
 - b. Shall have galvanized steel blades riveted to corrosion- resistant steel spiders and shall be dynamically balanced.

23 81 19.13.O. Special Features Options and Accessories

1. IntelliSpeed - Staged Air Volume System (ZX12, ZX14, &ZY12)
 - a. Evaporator fan motor:
 - (1.) Shall have permanently lubricated bearings.
 - (2.) Shall have a maximum continuous bhp rating for continuous duty operation; no safety factors above that rating.
 - (3.) Shall be Variable Frequency duty and 2- speed control.
2. Variable Frequency Drive (VFD). Only available on 2- speed indoor fan motor option (IntelliSpeed):
INSERT MITSUBISHI DRIVE SPECIFICATIONS
3. Standard Integrated Economizers:
 - a. Integrated, gear- driven opposing modulating blade design type capable of simultaneous economizer and compressor operation.
 - b. Independent modules for vertical or horizontal return configurations shall be available. Vertical return modules shall be available as a factory installed option.

- c. Damper blades shall be galvanized steel with composite gears. Plastic or composite blades on intake or return shall not be acceptable.
 - d. Shall include all hardware and controls to provide free cooling with outdoor air when temperature and/or humidity are below set-points.
 - e. Shall be equipped with gear driven dampers for both the outdoor ventilation air and the return air for positive air stream control.
 - f. Standard models shall be equipped with low- leakage dampers, not to exceed 2% leakage at 1 in. wg pressure differential. Economizers will come with Actuator and module that is tied to Simplicity SE:
 - (1.) Combined minimum and DCV maximum damper position potentiometers with compressor staging relay.
 - (2.) Functions with solid state analog enthalpy or dry bulb changeover control sensing.
 - (3.) Contain LED indicates for: when free cooling is available when module is in DCV mode when exhaust fan contact is closed
4. Two- Position Damper
- a. Damper shall be a Two- Position Damper. Damper travel shall be from the full closed position to the field adjustable %- open setpoint.
 - b. Damper shall include adjustable damper travel from 25% to 100% (full open).
 - c. Damper shall include single or dual blade, gear driven dampers and actuator motor.
 - d. Actuator shall be direct coupled to damper gear. No linkage arms or control rods shall be acceptable. e. Damper will admit up to 100% outdoor air for applicable rooftop units.
 - f. Damper shall close upon indoor (evaporator) fan shutoff and/or loss of power.
 - g. The damper actuator shall plug into the rooftop unit's wiring harness plug. No hard wiring shall be required.
 - h. Outside air hood shall include aluminum water entrainment filter.
5. Manual damper
- a. Manual damper package shall consist of damper, air inlet screen, and rain hood which can be preset to admit up to 25 or 50% outdoor air for year round ventilation.
6. Condenser Coil Hail Guard Assembly (Factory and Field installed on all models):
- a. Shall protect against damage from hail.
 - b. Shall be of louvered style.
7. Unit- Mounted, Non- Fused Disconnect Switch: (Verify on the unit nameplate that the disconnect is properly sized for the application. Units with field installed electric heat may exceed the factory installed disconnect amperage rating.)
- a. Switch shall be factory- installed, internally mounted.
 - b. National Electric Code (NEC) and UL approved non- fused switch shall provide unit power shutoff.
 - c. Shall be accessible from outside the unit.
 - d. Shall provide local shutdown and lockout capability.
8. Thru- the- Base Connectors:
- a. Kits shall provide connectors to permit gas and electrical connections to be brought to the unit through the unit base-pan.
 - b. Minimum of four connection locations per unit.
9. Propeller Power Exhaust:
- a. Power exhaust shall be used in conjunction with an integrated economizer.
 - b. Independent modules for vertical or horizontal return configurations shall be available. c. Horizontal power exhaust is shall be mounted in return ductwork.
 - d. Power exhaust shall be controlled by economizer controller operation. Exhaust fans shall be energized when dampers open past the 0- 100% adjustable setpoint on the economizer control.
10. Roof Curbs (Vertical):

- a. Full perimeter roof curb with exhaust capability providing separate air streams for energy recovery from the exhaust air without supply air contamination.
 - b. Formed galvanized steel with wood nailer strip and shall be capable of supporting entire unit weight. c. Permits installation and securing of ductwork to curb prior to mounting unit on the curb.
11. High Altitude Gas Conversion Kit:
- a. Package shall contain all the necessary hardware and instructions to convert a standard natural gas.
12. Outdoor Air Enthalpy Sensor:
- a. The outdoor air enthalpy sensor shall be used to provide single enthalpy control. When used in conjunction with a return air enthalpy sensor, the unit will provide differential enthalpy control. The sensor allows the unit to determine if outside air is suitable for free cooling.
13. Return Air Enthalpy Sensor:
- a. The return air enthalpy sensor shall be used in conjunction with an outdoor air enthalpy sensor to provide differential enthalpy control.
14. Indoor Air Quality (CO2) Sensor:
- a. Shall be able to provide demand ventilation indoor air quality (IAQ) control.
 - b. The IAQ sensor shall be available in duct mount, wall mount, or wall mount with LED display. The set- point shall have adjustment capability.
 - b. Shall be environmental compensated with differential sensing for reliable, stable, and drift- free sensitivity.
 - c. Shall use magnet- activated test/reset sensor switches.
 - d. Shall have tool- less connection terminal access.