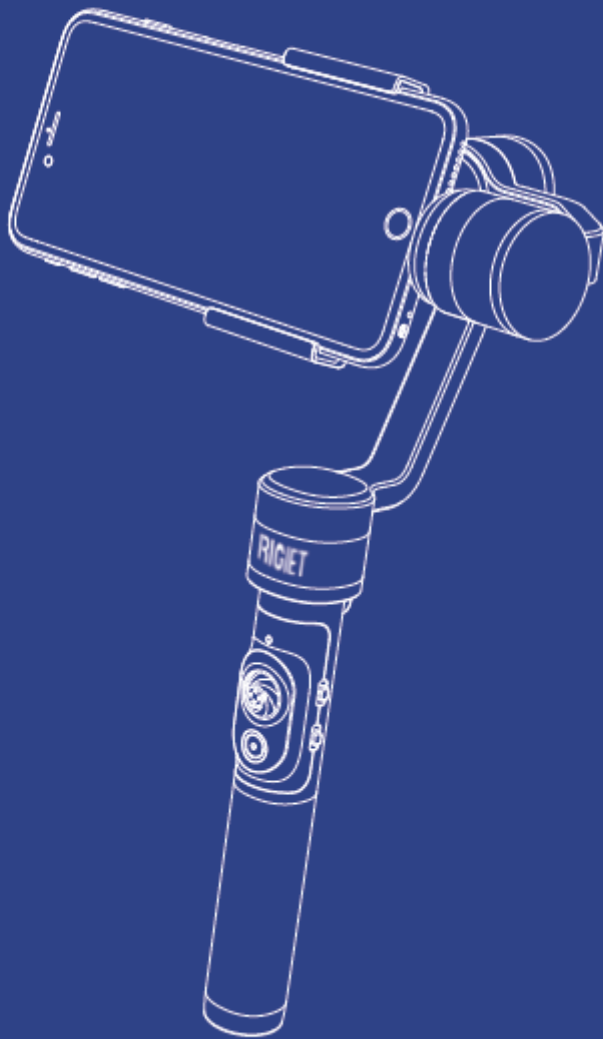




RIGIET

Rigiet User Manual

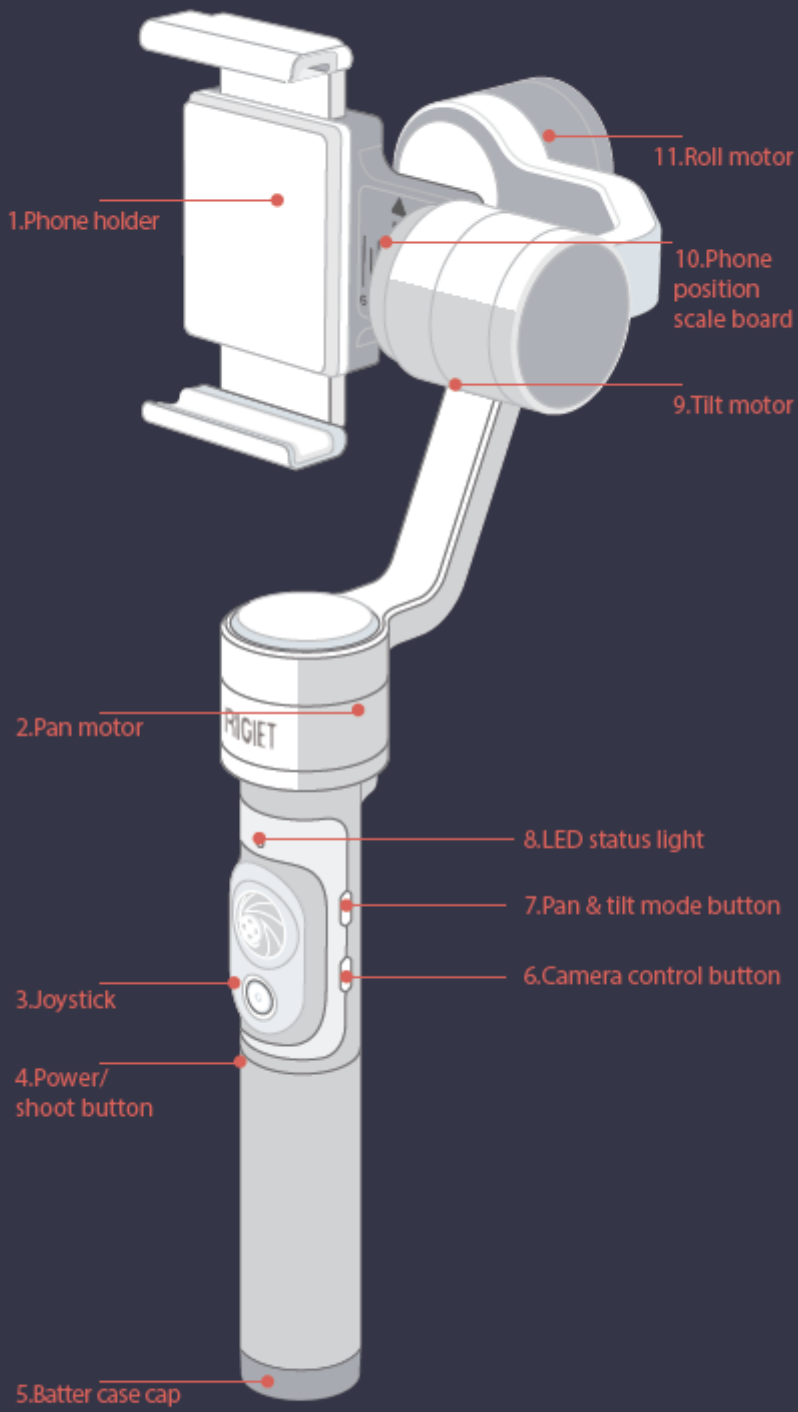


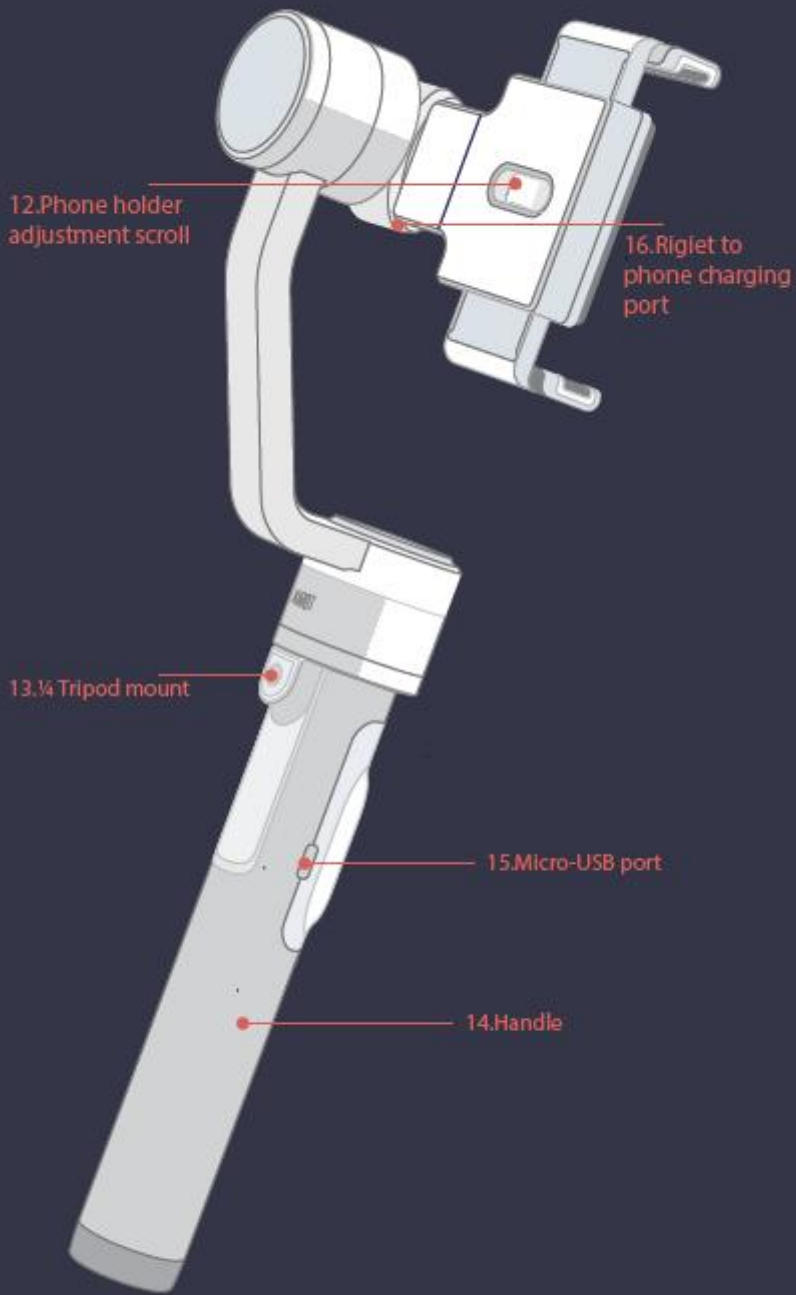
Shenzhen Yuejiang Technology Co. Ltd

Table of Content

Components	2
Basics	4
Inserting battery	4
Balancing your Phone	4
Turning on Rigiet	5
Turning off Rigiet	6
Charging Rigiet	6
Connecting to Rigiet App	7
Controlling Rigiet	7
Shooting	7
Joystick	7
Shooting Modes	8
Pan & Tilt Follow	8
Switching Front/Rear Camera	9
Auto Positioning	9
Deactivating Auto Positions	10
Restoring Position	10
Features & How to Use	10
App & Settings	10
Auto Track	11
Panorama	11
Time Lapse	12
Motion Time Lapse	12
Slow Motion	13
LED Light Status List	13
Troubleshooting	14

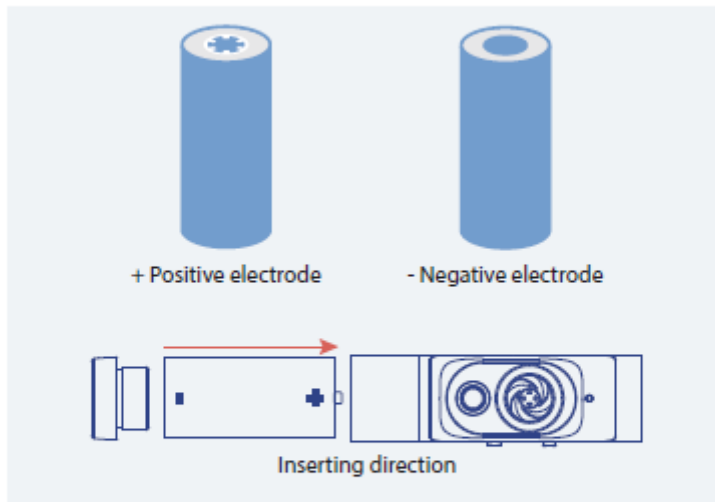
Components






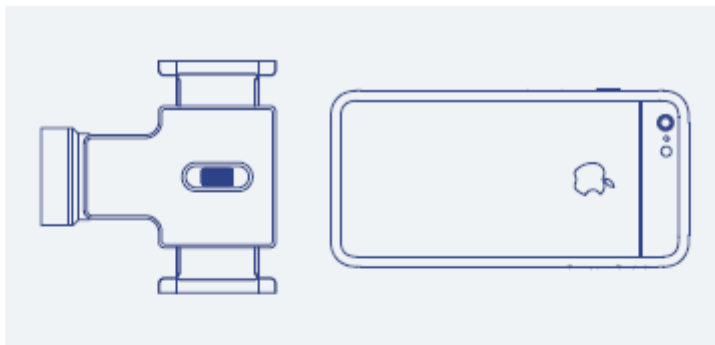
Basics

Inserting Battery



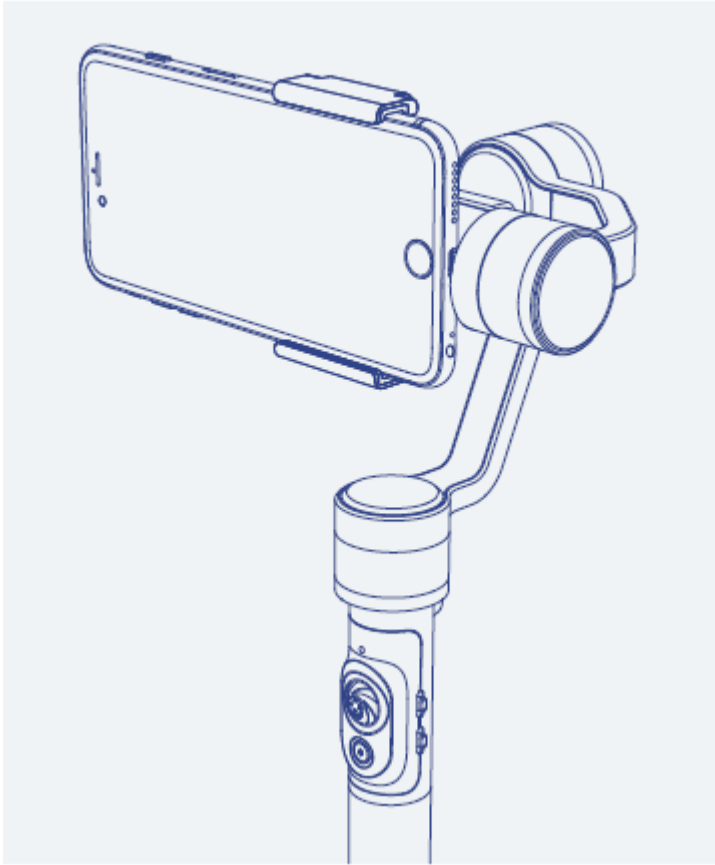
 Please don't insert the battery in opposite direction, because this will damage the Rigiet device.

Balancing your Phone



- ① Make sure Rigiet is powered off.
- ② Insert your phone and fasten the phone holder.
- ③ Toggle the phone and observe if the phone and the motor are balanced.
- ④ If yes, your phone is correctly inserted. If not, push in or out your phone and repeat ③.

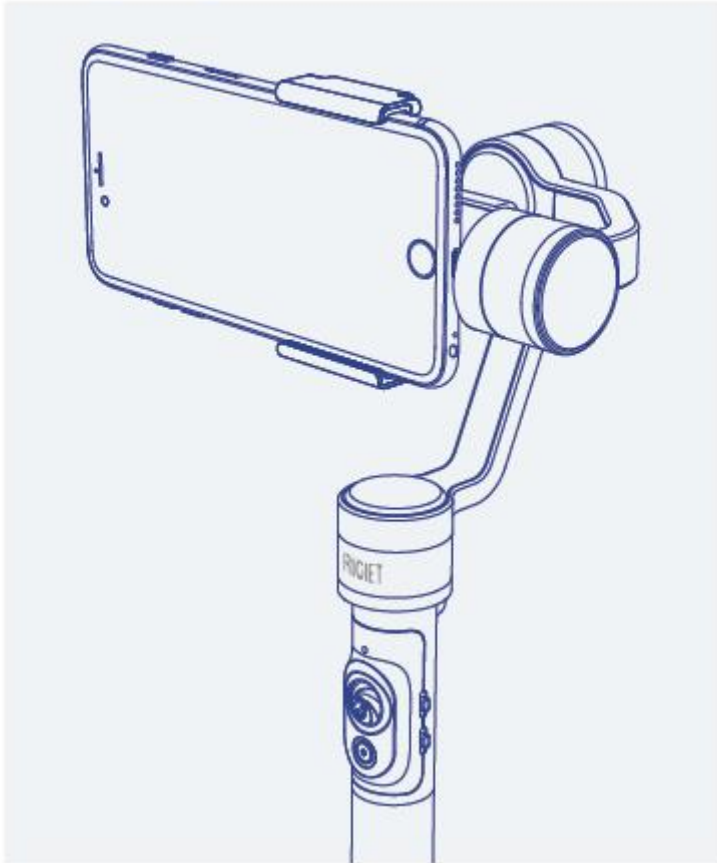
Turning on Rigiet



- ① Make sure your phone is inserted, fastened and balanced as is instructed on page 7.
- ② Hold the gimbal at its upright position, tilt your phone at a horizontal position.
- ③ Press and hold power button for 2 seconds until Rigiet is noticeably powered on and automatically stabilizes your phone.

 Please don't turn on Rigiet without inserting a phone.

Turning off Rigiet



- ① Press and hold the power button for 2 seconds until the status LED light flashes red twice then yellow.
- ② Release the power button.

Charging Rigiet

You can charge Rigiet in two ways:



- ① Charge Rigiet's battery directly by using the battery charger.



- ② Charge Rigiet's battery directly by using the battery charger.

Connecting to Rigiet App



- ① Download "Rigiet" app from App Store.
- ② Make sure Rigiet is turned on.
- ③ Turn on Bluetooth on your phone.
- ④ Open Rigiet app, then click the Bluetooth icon.
- ⑤ Select "RigietXXXX".
- ⑥ Wait until the Bluetooth icon turns blue.

Controlling Rigiet

Shooting



- ① Click the power button, Rigiet will start to take photo or record video. Or press the shoot button on Rigiet app, it will work the same.

Joystick



- ① Push the joystick, it will control your phone's direction.

Shooting Modes



Rigiet has 6 shooting modes:

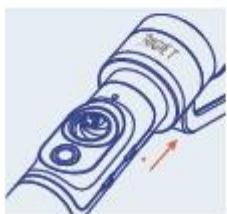
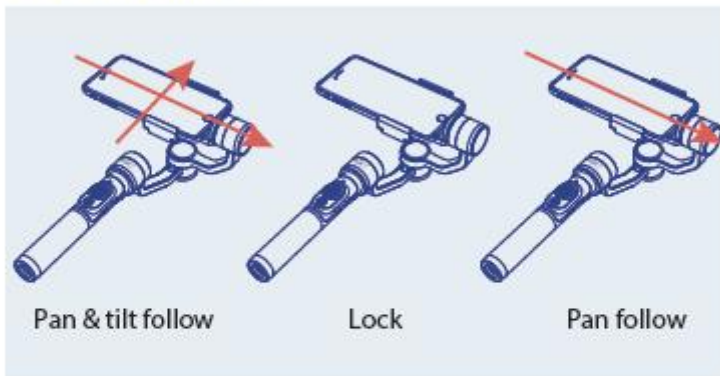
- ① Panorama
- ② Photo
- ③ Video
- ④ Time Lapse
- ⑤ Motion Time Lapse
- ⑥ Slow Motion



Switching Shooting Modes:

- ① Tickle down the camera control button, Rigiet app will switch shooting modes accordingly.
- ② Swiping or clicking on the rigiet app will do the same.

Pan & Tilt Follow



Switching Pan & Tilt Follow Pan & tilt mode button positions:

- ① Up -> pan + tilt follow
- ② Middle -> lock
- ③ Down -> pan follow

Switching Front/Rear Camera



- ① Tickle up the camera control button.
- ② Or press the front/rear camera switch button on Rigiet app, it will work the same.

Auto Positioning

Rigiet has 3 phone positions:

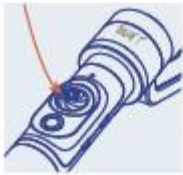


Rigiet changes its phone positions automatically in order to adapt to your holding position.

Deactivating Auto Positions

Deactivating auto positions brings more flexibility to shooting videos. You can hold Rigiet from high to low positions without pausing shooting, or switch from standard to underslung positions without rotating your phone.





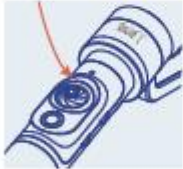
Deactivating Auto Positions

- ① Press and hold the joystick.



This might need a little practice, but when you switch from standard to underslung position. Be sure to keep gimbal in vertical plane.

Restoring Position



- ① To restore Rigiet to default position, simply click the joystick.

Features & How to Use

App & Settings



- | | |
|--------------------------|----------------------------|
| ① Expanded content | ⑥ Album |
| ② Shooting mode settings | ⑦ Shooting button |
| ③ Camera settings | ⑧ Front/rear camera switch |
| ④ Grid | ⑨ Auto Track activator |
| ⑤ White balance | ⑩ Bluetooth |

Auto Track



- ① Turn on Rigiet and open Rigiet app.
- ② Press the Auto Track icon.
- ③ Drag and draw a box on the screen and cover the object to be tracked.
- ④ Start shooting.
- ⑤ To turn it off: press the Auto Track icon one more time.



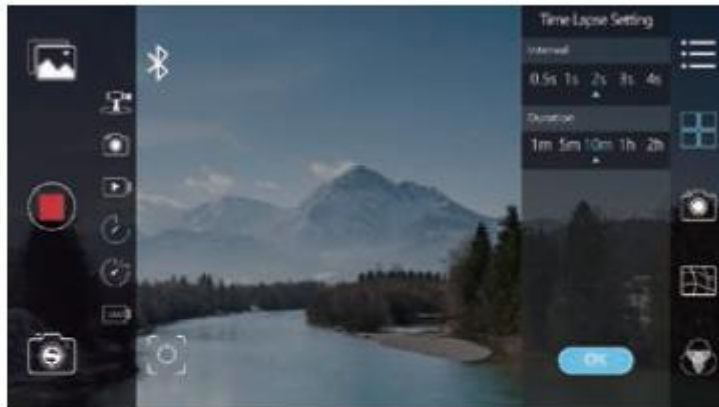
The Auto Track function is available for both front & rear camera, and is also available for photo, video, time lapse and slow motion modes.

Panorama



- ① Turn on Rigiet and switch to Panorama mode.
- ② Select a Panorama mode from settings.
- ③ Hold Rigiet firmly and steadily, then click the shooting button (or the corresponding button on screen).
- ④ When shooting is completed, please wait for the Rigiet app to process.

Time Lapse



- ① Turn on Rigiet and open Rigiet app, then switch to Time Lapse mode.
- ② Mount Rigiet to a tripod.
- ③ Set up Time Lapse in setting.
- ④ Click power button or the shooting button on screen to start recording.

Motion Time Lapse



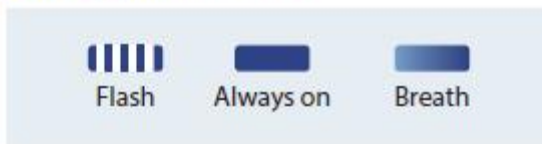
- ① Turn on Rigiet and open Rigiet app, then switch to Time Lapse mode.
- ② Mount Rigiet to a tripod.
- ③ Press the box in the menu to record the first view, then adjust Rigiet by hand to find the next, keep doing this until you finish setting up the route.
- ④ Click power button or the shooting button on screen to start recording.

Slow Motion



- ① Turn on Rigiet and open Rigiet app, then switch to Slow Motion mode.
- ② Go to Video mode settings, select a higher framerate.
- ③ Click power button and start recording.

LED Light Status List



BATTERY NOT IN USE

Charging

Charging in progress	
Charging completed	
Uncharged, battery capacity low	

BATTERY IN USE, RIGIET MUTE


Charging in progress

Upgrade			
IMU heating			
Normal			

Charging completed

Upgrade			
IMU heating			
Normal			
Uncharged, battery capacity low			

Uncharged, battery capacity normal






Upgrade			
IMU heating			
Normal			

BATTERY IN USE, RIGIET FUNCTIONING

Charging in progress

Imbalanced		
Normal		

Charging completed

Imbalanced		
Normal		
Uncharged, battery capacity low		

Uncharged, battery capacity normal

Imbalanced		
Normal		

Troubleshooting

Rigiet Not Turning On

- ① Check if battery is uncharged.
- ② Be sure to insert and balance your phone correctly before use.
- ③ You may have entered debug mode (not pressing power button long enough). Turn off Rigiet and turn back on, this time hold the button longer.

Rigiet App Connection Failure

- ① Check if you have turned on Bluetooth on your phone.
- ② Check if Rigiet is turned on.
- ③ Turn off Bluetooth for all nearby devices.

Auto Track Losing Track

- ① Change phone direction and find the object back into viewfinder.
- ② If Auto Track still won't work, turn it off by pressing the Auto Track icon.



FCC warnings:

Changes or modifications not expressly approved by the party responsible for compliance could void the user's authority to operate the equipment.

This device complies with Part 15 of the FCC Rules. Operation is subject to the following two conditions: (1) this device may not cause harmful interference, and (2) this device must accept any interference received, including interference that may cause undesired operation.

This equipment has been tested and found to comply with the limits for a Class B digital device, pursuant to Part 15 of the FCC Rules. These limits are designed to provide reasonable protection against harmful interference in a residential installation. This equipment generates, uses and can radiate radio frequency energy and, if not installed and used in accordance with the instructions, may cause harmful interference to radio communications. However, there is no guarantee that interference will not occur in a particular installation.

If this equipment does cause harmful interference to radio or television reception, which can be determined by turning the equipment off and on, the user is encouraged to try to correct the interference by one or more of the following measures:

- Reorient or relocate the receiving antenna.
- Increase the separation between the equipment and receiver.
- Connect the equipment into an outlet on a circuit different from that to which the receiver is connected.
- Consult the dealer or an experienced radio/TV technician for help.

This modular complies with FCC RF radiation exposure limits set forth for an uncontrolled environment. This transmitter must not be co-located or operating in conjunction with any other antenna or transmitter.



RIGIET

www.rigiet.net

Shenzhen Yuejiang Technology Co. Ltd