

# Aspire RF switch

Project Name:	Prepared By:
Project Number:	Date:
Catalog Number:	Type:

## Description

Single pole, 3-way, 4-way  
 15A, 120V/AC, 60Hz  
 LED, CFL, incandescent, magnetic low-voltage, electronic low-voltage, fluorescent, halogen

## Design features for Aspire RF switch

- Compatible with Aspire RF accessory switch (RF9517) for wireless 3-way control eliminating the need for traditional 3-way wiring (up to 5 locations)
- Neutral wire required for installation
- Can be associated with up to 5 other devices
- Decorator and designer series products offer the same functionality with two distinct styles
- Electro-mechanical push button for ON/OFF operation
- Patented indicator system alerts if switch is not set up in the network
- Blue LED illuminates to indicate ON/OFF status
- Single button programming
- Programmable delayed OFF mode up to 4 minutes (default is 10 seconds)
- Child lockout feature
- All-ON/All-OFF inclusion
- Configurable "power up state"



RF9501AW  
 Designer series



RF9501DW  
 Decorator series

**Table 1. Aspire RF switch (no neutral required)**

Catalog No.	Description	Designer Color Suffix	Decorator Color Suffix
□ RF9501_	15A switch	AW, DS, SG, WS	DBK, DLA, DW

**Compliances, specifications and availability are subject to change without notice.**



*Powering Business Worldwide*

Project Name:	Prepared By:
Project Number:	Date:
Catalog Number:	Type:

## Applications for Aspire RF switch

The Aspire RF 15A switch replaces regular switches or dimmers (where a neutral is present) to provide local and remote ON/OFF control for LED, CFL, incandescent, magnetic low-voltage, electronic low-voltage, and fluorescent lighting loads. The Aspire RF switch provides other programmable functions (scenes, events, association, child lockout, etc.) when used with Aspire RF or other Z-Wave® compliant controllers\*. Each switch can be manually and remotely controlled by commands sent from an Aspire RF controller or other Z-Wave compatible controllers or programs. An Aspire RF switch utilizes existing 120V/AC 60Hz standard house wiring and fits in a standard-sized wallbox. Neutral wire required for installation. No new wiring needed. \*Note: some specific Aspire RF features may not be programmable.

**Table 2. Specifications**

Catalog No.	Switch RF9501
<b>Performance</b>	<b>Maximum Amperage:</b> 15A <b>Rating:</b> 120V/AC, 60Hz Uses 300 Series Z-Wave Chip @ 40Kbs
<b>Performance Consideration</b>	An Aspire RF Z-Wave enabled device must be within 60 feet of another Z-Wave enabled device to participate in a Z-Wave wireless mesh network. Any one dimmer or switch can be associated with up to 5 devices (dimmers, switches, receptacles, or plug-in modules)
<b>Installation &amp; Programming</b>	Please reference the Instruction Sheet included with the product for wiring installation. For programming of the device, see the Aspire RF User Manual, which is provided with either the handheld (RFHDCSG) or tabletop (RFTDCSG) controllers and are also accessible online at <a href="http://www.cooperwiringdevices.com/AspireRF">www.cooperwiringdevices.com/AspireRF</a>
<b>Testing &amp; Code Compliance</b>	cULus Listed 244A. NOM Certified. Complies with FCC Part 15, Class B. Z-Wave Compliant Certified
<b>Terminations</b>	Switch has four 6" wire leads for line, load, ground and neutral
<b>Material Characteristics</b>	<b>Flammability:</b> Meets UL94 requirements; V2 rated <b>Temperature Rating:</b> 32°F to 104°F (0°C to 40°C)
<b>Warranty</b>	2-year limited product warranty

**Table 3. Color Ordering Information**

For ordering devices, include Catalog No. followed by the Color Suffix: AW (Alpine White), DS (Desert Sand), Silver Granite (SG), WS (White Satin), DBK (Decorator Black), DLA (Decorator Light Almond), DW (Decorator White).

**Designer series color options:**

AW	AW	DS	DS	SG	SG	WS	WS
Alpine White		Desert Sand		Silver Granite		White Satin	

**Decorator series color options:**

DBK	DLA	DW
Decorator Black	Decorator Light Almond	Decorator White

**Table 4. Device Configuration Parameters**

Parameter	Description	Value range
1	Delayed OFF	*0 to 127 -128 to -1
2	Panic ON time	*0 to 127 -128 to -1
3	Panic OFF time	*0 to 127 -128 to -1
4	Basic set value	*0 to 127 -128 to -1
5	Power up state	1=OFF, 2=ON, 3=Last state
6	Panic mode enable	0=OFF, 1=ON
7	Not used	Not used

\*The configuration value is a signed single byte number. This value may represent a value with no units or may represent a value such as time. 0 to 127 (decimal) represents 0 to 127 seconds of time. -128 to -1 (negative decimal numbers) represents 128 to 255 seconds as calculated by this formula.

Config value = desired time in seconds (or desired value) -256

For an example of 172 seconds: config value = 172 - 256 = -84 (decimal) or 0xAC (hex)

For Parameter 4, this value is the value that will be sent in a Basic Set command as a result from association to another device.

**Compliances, specifications and availability are subject to change without notice.**

Project Name:	Prepared By:
Project Number:	Date:
Catalog Number:	Type:

**Table 5. Device Association Information**

**Association Groups for RF9501**

Group 1	5 nodes maximum
Group 2 - 254	0 nodes maximum
Group 255	1 node maximum

**Product Dimensions**

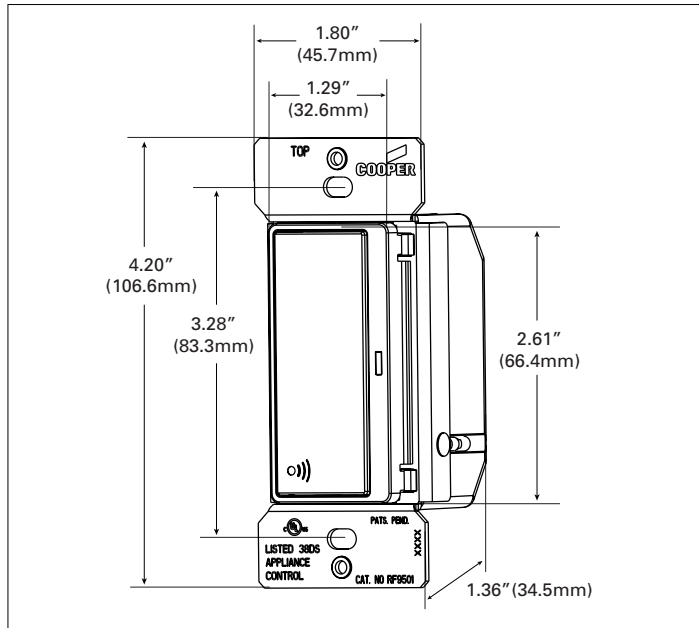
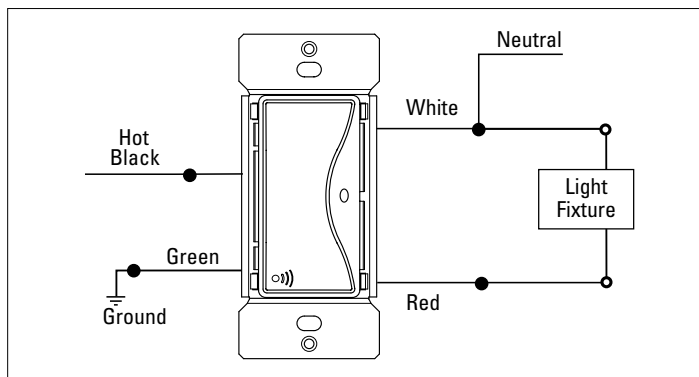
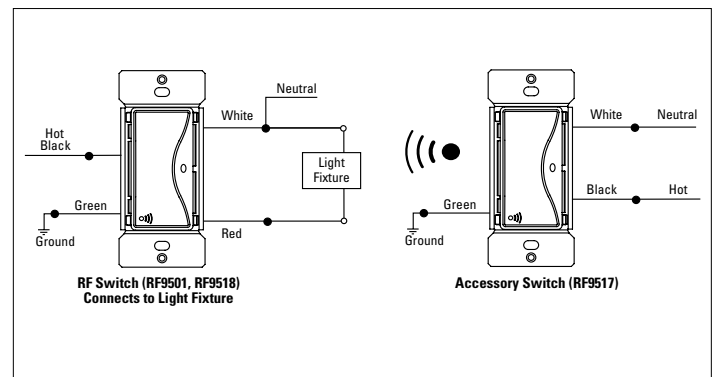


Figure 1. RF9501

**Single-Pole Location Wiring Diagram**



**Multi-Location Wiring Diagram**






**Note:** For multi-location control using the RF association function, use catalog no. RF9517.

**Compliances, specifications and availability are subject to change without notice.**

Project Name:	Prepared By:
Project Number:	Date:
Catalog Number:	Type:

## Certifications & Compliances

Catalog No.			
RF9501	•	•	•

KEY:  cULus  NOM  FCC

## Related Products

### Aspire RF controllers



RFHDCSG, RFTDCSG, RFWC5WS

### Aspire RF products



RF9540-NDW, RF9517DW, RFTR9505-T

### Aspire products



9566TRWS, 9544DS, 9521WS

Compliances, specifications and availability are subject to change without notice.

Electrical Sector  
203 Cooper Circle  
Peachtree City, GA 30269  
United States  
Eaton.com  
Cooperwiringdevices.com

Electrical Sector  
Canada Operations  
5925 McLaughlin Road  
Mississauga, Ontario, L5R 1B8  
Canada  
EatonCanada.ca  
Cooperwiringdevices.com

Electrical Sector  
Mexico Operations  
Carr. Tlalnepantla -  
Cuautitlan Km 17.8 s/n  
Col. Villa Jardin esq.  
Cerrada 8 de Mayo  
Cuautitlan, Mexico CP 54800  
Mexico  
Eaton.mx  
Cooperwiringdevices.com

**Eaton**  
1000 Eaton Boulevard  
Cleveland, OH 44122  
United States  
Eaton.com

© 2014 Eaton  
All Rights Reserved  
Printed in USA  
Publication No. E125-0125-14  
February 2014