

## Z-B97 Operation Manual

Thank you for using our company's sport Bluetooth headset product, for your fast, skilled operate of this product, easy, happy to use this product. Please read this manual carefully.

### **A. Use range:**

1. Pair with the Bluetooth mobile, wireless enjoy mobile phone music and incoming call.
2. Pair with PC (with Bluetooth function or connect USB adapter), wireless enjoy network music;
3. Pair with PC (with Bluetooth function or connect USB adapter) wireless remote chat (support QQ, SKYPE, MSN, etc.).
4. Support for iPhone, iPad, enjoy music and voice transmission wirelessly.

### **B. Accompanying accessories**

- |  |                   |
|--|-------------------|
| 1. Z-B97 wireless stereo buletooth headset | 1pc               |
| 2.USB Charging cable                       | 1pc               |
| 3.Operation manual                         | 1pc               |
| 4.Warranty card                            | 1pc Optional Card |
| 5. Silica gel(large size)                  | 1 pair            |

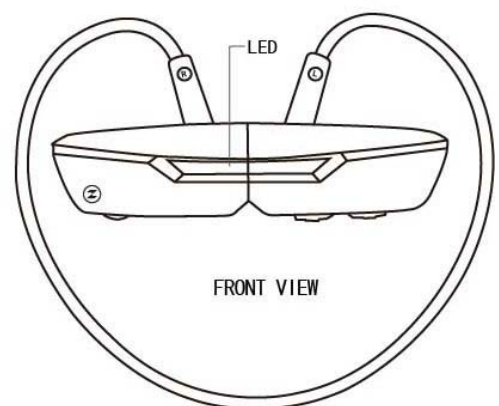
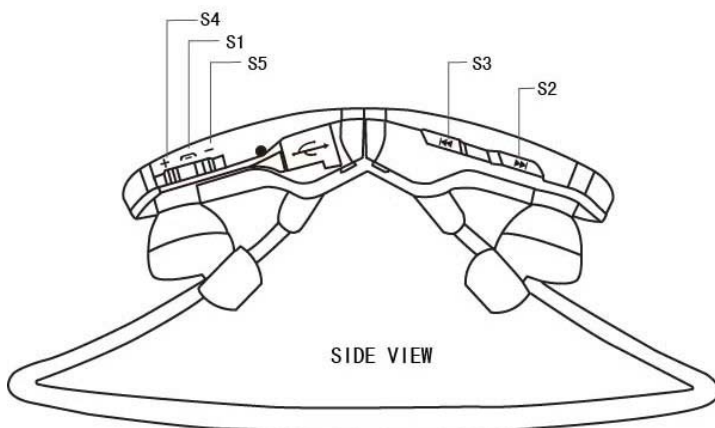
### **C. Start Use**

#### 1.Charge Bluetooth headset

Headset has built-in rechargeable lithium battery. The first time using it, please charge it at least 4 hours to let it full of energy. After the first time using, charge it 1 -2 hours will be enough. When charging the red light is bright,when the battery is saturated the blue light is bright. Fully charged battery can support about 5 hours of continuous working hours.

Connecting USB cable directly to computer to charge (Suggest:Don't use the car charger at first time).

#### 2.Button Definition and Function



S1.Multifunction key: Play/Pause(stereo status),on/off, answer/end the calls, reject a call(incoming call status), Redial and pairing to other Bluetooth devices.

- S2. Previous key: Play Previous (stereo status), speaker silent(phone state)
- S3.Next key: Play next (stereo status), mobile/Bluetooth switch( phone state)
- S4. Volume “+”
- S5.Volume “-”
- LED: work indicator

(3) Connect to bluetooth device



Z-B97 should be paired to mobile phone(or other Bluetooth devices) before operating..

1).First step:

Shutdown status: Press S1 key for 5 seconds→red & blue lights flash twice at the same time→ headset with"de" sound→ red & blue lights start flashing alternately, →headset with “bi,bi...”sound→enter into pairing status.

2).Second step:

Begin to pairing on your mobile(Please refer to mobile user manual).After searching you will get “Z-B97” in your mobile equipment list.

3).Third step:

You will be required to enter Pin-Code→Password 0000 is needed to enter→Pairing successfully.

(Note: 0000 is a default pairing Pin-Code for bluetooth headset, some mobile phones support simple pairing do not need to enter Pin-Code, now most of the new mobile phones are support simple pairing)

4).Fourth step:

Pairing successfully→headset with “bi,bi...”sound→ blue light flash per 4 seconds. If

pairing unsuccessfully, its' need to re- pairing.

Note:

If headset cannot find the pairing equipment in 3 minutes will automatically shutdown.

If headset isn't in pairing status,your mobile and other bluetooth equipments cannot search headset,please set the headset on pairing status then your mobile can begin to search.

#### 4. Start-up & Shutdown

##### 1. Start-up headset

Shutdown status: Press S1 key for 5 seconds→red & blue lights flash →headset with “bi,bi...”sound→ stop press S1 key→start-up headset successfully, begin to connecting mode→automatic search has been paired device→connected to stereo while the blue light flash once per second. If not connected, then enter into the standby mode, the red light flashes continuously, 3 minutes later will automatically shutdown.

##### 2. Shutdown headset

1) Start-up status: Press S1 key for 3 seconds→red & blue lights flash quickly for one time→headset with “de”sound→shutdown.

2) When Searching the equipment or without the receive range of headset, it will automatically shutdown after not get any connection in 3 minutes.

Wireless status indicator:

Blue light flash slowly	Bluetooth:Connection has been established, the headset can start operating.
Red&blue light flash alternately	Bluetooth: Quickly flashing indicate the headset can be connected, but not connected.
No indicator	Power off

Battery status

Indicator	Battery	Note
Red light flash with alarm	<10%	Left less than 30 minutes using time
Stable red light		Charging
Stable blue light		Finish charging

#### D. Basic Use Method

##### Dial, Talk & Finish calls

After the bluetooth headset finish pairing with your mobile,you can use the headset to answer the phone or enjoy the mobile stereo music.

##### 1. Mobile dial,talk and finish calls

###### Dial a call

Dial-up using the phone's keypad

1).Using your phone, dial numbers as usual in the same manner, during connecting ,

headphones with vibration ring tones. When getting calls, sound will be automatic in the Bluetooth headset, after getting the calls, the red light flash 2 times per second. If you want to hang up, just press S1 key once.

2). Press the S1 key twice, can automatic to dial the telephone No. last time, when getting call, sound will be automatic in the bluetooth headset, after getting the calls, the blue flash 2 times per second. If you want to hang up, just press S1 key once.

### **Talk & finish calls**

When the calls comes, you can hear the alarm sound "Di, Di...", the headset red light keep lighting.

a. The mobile ringing → press shortly the S1 key or press the receiver key on mobile → blue light flashes 2 times per second. If need to hang up, press S1 key once.

b. Call: Press shortly the S3 key, go to the mobile phone, and then press the S3 key again to answer the call. (Some phones may not support this feature, the call forwarding can not be completed)

c. When call coming, if you want to refuse, you can press S1 key twice shortly.

d. During talking, press S4 key, volume +, press S5 key, volume -. Press long time, can control the Volume (from low to high total 15 levels, you can hear "Bi, Bi" when on low or on high).

e. Press S1 key shortly, off key on mobile or the order side hang up the call to finish calls, after finish, blue light flash four times per second.

### **Speaker silent(phone state)**

During the calling, if you need to talk with other people around you, but don't want to hang up, and also don't want the other side hear the conversation, you can press S2 key, after you hear beep sound in the headset, you can talk with other people around you safely, no need to worry about the conversation be heard by the other side. Re-press S2 key shortly, to restore speaker calling function.

## **2. Mobile Stereo music Play Mode(default state after connected with bluetooth headset)**

Need the pairing mobile phone support stereo music playing.

a. Playing music, press S3 key quickly to Backward.

b. Playing music, press S2 key quickly to Upward.

c. Playing music, press S1 PLAY key quickly, music stops. Press S1 PLAY key quickly, music playing.

Note: Base on different design for different mobiles, during the headset stand-by mode, the bluetooth connection may be automatically cut off.

### 3. PC or PDA connect with headset

The bluetooth headset can be also connected with PC or PDA, please refer to your PC or PDA user manual.

### 4. Pairing with USB computer bluetooth dongle

#### (1). Stereo music play mode:

1). USB dongle insert into computer USB port, put the CDR into computer's CD room, setting program, after setting, re-start the computer, then setting successful.

2). Pairing:

First step: Plug the USB dongle into the computer's USB port

Second step: Headset into pairing status (red & blue lights flashing alternately)

Third step: Start-up "My bluetooth" in the computer, searching the bluetooth equipment, then you can find the "Z-B97" in equipment list.

Fourth step: Choose "Z-B97" in the list, input the Pin-Code "0000" in computer.

(Note: "0000" is the fixation pairing Pin-Code for bluetooth headset.)

Fifth step: Pairing successfully, blue light flash slowly (around 1 time per 4 seconds).

Note:

If the bluetooth headset isn't on pairing status, the USB bluetooth dongle cannot search the headset. Please set up the headset on pairing status then begin to use the USB bluetooth dongle to search.

3). Start-up the headset, after pairing successfully, start-up the computer's media player to play musics.

a. Playing music, press S3 to next song.

b. Playing music, press S2 to previous.

c. Playing music, press S1, music stopped, press S1 again, music played.

#### (2). SKYPE:

1). Start-up the headset, after pairing successfully, start-up SKYPE on computer.

2). Sound communicate function: When the call coming from SKYPE, can hear "Di..." sound in the headset → press S1 to answer the phone (or press the answer key on SKYPE directly) → Enter into communicate status.

3). Finish / Refuse the call:

After communicate on SKYPE → press S1 to finish the call (or press the finish key on SKYPE directly).

4) When the call coming from SKYPE, if you don't want to answer the phone, you can press the refuse key on SKYPE directly.

5). After finish the call, the headset can automatically enter into the stereo mode to enjoy the musics.

#### (3). QQ:

1). Start-up the headset, after pairing successfully, start-up QQ on computer.

2). QQ setup: press the audio setup, choose the input and output to "bluetooth audio" → Finish.

- 3). Dial number function: this operation can be only progress on QQ by mouse.
- 4). Answer the phone: During the call coming from QQ, you can hear "Di..."sound in the headset,press the answer key on QQ by mouse→Enter into communicate status.
- 5). Finish /Refuse the call:
  - a.After communicate on QQ→ press the finish key on QQ directly
  - b. When the call coming from QQ, if you don't want to answer the phone,you can press the refuse key on QQ directly.
- 6). After finish the call,the headset can automatically enter into the stereo mode to enjoy the music.

Note:

a.when using the headset with the internet for long-distance call, the bluetooth adapter driver software is different ,the operation ways are also different.

b.when using the headset with the internet for long-distance call ,if it's a silent call, please set the audio input and output of the conversation tool in Bluetooth status.

### **E. Important information**

1. Red light flashes quickly,and "di di.."sound in the headset.
  - The bluetooth headset is low power,please charge it as quick as possible.
2. The headset can not be start-up after charge for 20 minutes.
  - The bluetooth headset need to be charged for 40 minutes at least for start-up,suggest to charge enough power consumingly before using.
- 3.No indication during charge
  - If the battery was used out of power completely or didn't use for long time,when you use at the first time,may be no indication light,but need to wait for a few minutes,then blue light will be flash for charge indication, after full charged,the blue light is brighten.
4. No sound on the headset:
  - Make sure the headset had been paired successfully with the mobile.
  - Make sure the headset had been started up.
  - Make sure the distance between the headset and mobile don't exceed 10 meters.
  - Make sure your mobile is in the strong enough signal range.
  - Some of mobiles only support one of bluetooth headsets,if more than one bluetooth headset pairing with the mobile,the connection may be interrupted.
5. After charging has been finished, why does my headset can't work with my mobile?
  - Your mobile's Bluetooth has to be activated first and paired with your headset.
6. Does my bluetooth headset can work with any mobile?
  - No, it doesn't.It can only work with mobile which has bluetooth fuchtion or hands-free function,but there are a few mobile phones support call function, can not support music playing function.

7. What is the effective distance for headset and Bluetooth mobile ?

—About 10 meters.

8. When my mobile is searching the headphone, why do several bluetooth equipment appear?

—Within the effective distance, most Bluetooth mobiles will search several Bluetooth equipments (like PDA, Notebook...) after their Bluetooth has been activated. When your mobile found them, "Z-B97" (or Unknown Equipment) will appear on your mobile.

9. Why does my mobile can't find Bluetooth equipment?

—If your headset isn't under the pairing status, your mobile can not find any Bluetooth equipment. Before using your mobile to search any equipment, make sure the headset is under the pairing status. (Refer to user manual for detailed instructions)

10. Should I need every time paired the headset when using it?

—No. The headset and the mobile only required one time pairing when first time using it.

11. Why do noises arise?

Bluetooth equipments' performance is affected by any one of the following factors:

—Whether mobile is within a strong-signal area or not. If the mobile is within a weak-signal area, its effect will be worse.

—If the distance between mobile phone and headset has exceeded the effective distance, it will increase noise.

—The communication effect of QQ & SKYPE depend on the network.

12. What should I do if my headset can not receive well ?

—Adjust the volume button or press "Volume+" on your mobile to increase the volume and test if mobile is within a strong-signal area.

13. Why does my headset can't work suddenly?

—No power. When battery is low, red indicator will flash, "di, di..." can be heard on the headset.

14. Why does my mobile can't show the incoming call No.?

—It maybe the people hide the incoming phone No. or your mobile don't support show caller ID.

15. Why does different mobile have different answering way?

—Different mobile maker use different bluetooth software. For example, for T610, only need to press S4 gently to answer the call, however, for P800 and P900, you should press S4 for 3 seconds then can answer the phone. That cause by P800 and P900 are intelligent mobile, so a little different definition for using keys. Commonly, the way of answer phones are "press the key gently" or "press the key for 3 seconds".

#### **F.Attentions:**

1. If headset can't be opened, that might lack of power, please charge power at first.

2. Please turn off the headset and put it into box to avoid damage, scratches or bracket deformation when long time no using. In order to prolong the battery service life, please charge every 6 months.
3. Please charge power at first if the headset is not used for long time.
4. The battery of headset is original and please don't change it by yourself.
5. Please don't put the headset in wet place or rainy place.
6. The operating temperature is 5°C to 35 ° C. Please don't put the headset into fire to avoid battery blast accident.
7. When using please don't bent or twist the bracket to avoid deformation.
8. Please don't tear down headset by un-professional person.
9. Audiologist suggest that don't adjust the volume to a very high level and continued play on high level. If tinnitus occurs, please turn the volume down or stop playing, do not turn the volume up suddenly. Please slowly turn up the volume to avoid hearing damage caused by high volume.
10. Please don't use it if can not listen sound around, or dangerous place.

10.F. No waterproof function notes: (read before using)

11. This product is not waterproof device!

- Do not use any liquid, including room temperature water or tap water to wash, dripping or splashing penetration.
- Prohibit to use in rain.
- Please don't use if sweat.
- Depending on the way to use, water enter may result in fire, electric shock or failure.

Under all of the above cases, please use headset in the case of the USB jack covered completely.

### **G. Headset maintenance**

—If use non-original accessories, it may cause capability comes down, body hurted, short circuit or abate the maintain.



- If disassembly your bluetooth headset,it may cause the headset shatter or abate the maintain.
- Don't place the headset on more dust range.
- Use the clean,soft and dry fabric to clean your headset.
- When you don't want to use the headset,please put it into the packing.
- Don't let children play headset,they may hurt themselves or break the headset.
- Don't put headset on more hot or more cold environment,otherwise the headset may not be used for a while.

**Travel charger:**

- The charger only designed for using indoor,don't use it outdoor.
- Only can use the 5V, > 300mA charger.
- When pull out the charger from the socket,don't pull it strongly,otherwise it may attaint the charger.

**Interrelated information for battery:**

New battery: At first time to use the product,charge the headset battery for 4 hours at least.

**Batteries maintenance:**

- Please take down or replace the battery at the qualified maintenance center.
- If use it carefully,the life for it will be long.
- Temperature for charge is 10°C to 45°C .
- Base on room temperature using,can get the largest capability.
- Using at outdoor low temperature,will cause reduce the capability.

**H. Features and Specifications**

- wireless enjoy stereo music playing
- wireless dial, talk phone calls
- Wireless enjoy stereo music from the computer
- Use the Internet to achieve long-range wireless two-way communication
- Wireless enjoy stereo music, set aside to answer the call automatically converted
- High-fidelity, CD quality sound effects;
- Remote control music playback status (remote control music playback, pause, up and down selections, volume control)
- High sensitivity, omni-directional microphone design, voice clarity, no echo

Edition	Bluetooth V2.1+EDR
Frequency coverage	2.402GHZ~2.480GHZ ISM Band
Transmit Range	<=10M
Frequency Response	20HZ-20KHZ
Status Indication	LED indicator
Pairing products	HFP,A2DP,AVRCP Bluetooth protocol of

	the computer, USB Bluetooth adapter, Bluetooth cell phones
Battery	Lion. 3.7V 150mA
Charge Time	1-2H
Charge Power	DC 5V 300mA
Operate hours	more than 5 hours (battery saturation)
Standby time( connect mobile standby)	More than 100 hours(battery saturation)
Size	15.5x13x5cm

## **FCC WARNING**

This device complies with Part 15 of the FCC Rules. Operation is subject to the following two conditions:

- (1) This device may not cause harmful interference, and
- (2) this device must accept any interference received, including interference that may cause undesired operation.

NOTE 1: Any changes or modifications to this unit not expressly approved by the party responsible for compliance could void the user's authority to operate the equipment.